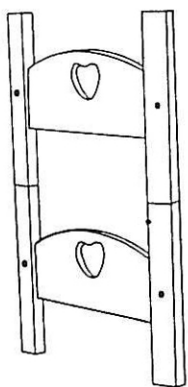
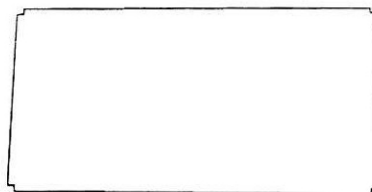


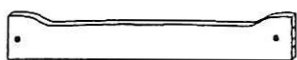
Assembly by adult!



Ax2



Bx2



Cx4

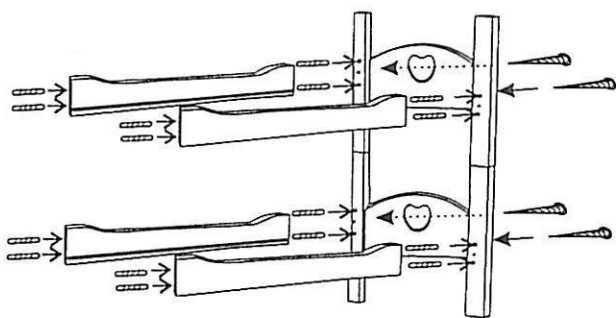


Dx8

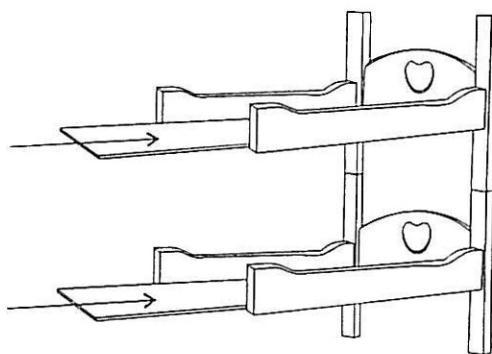


Ex16

1



2



3

