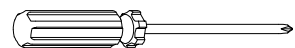
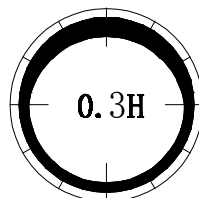
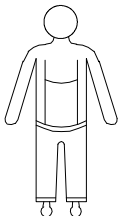
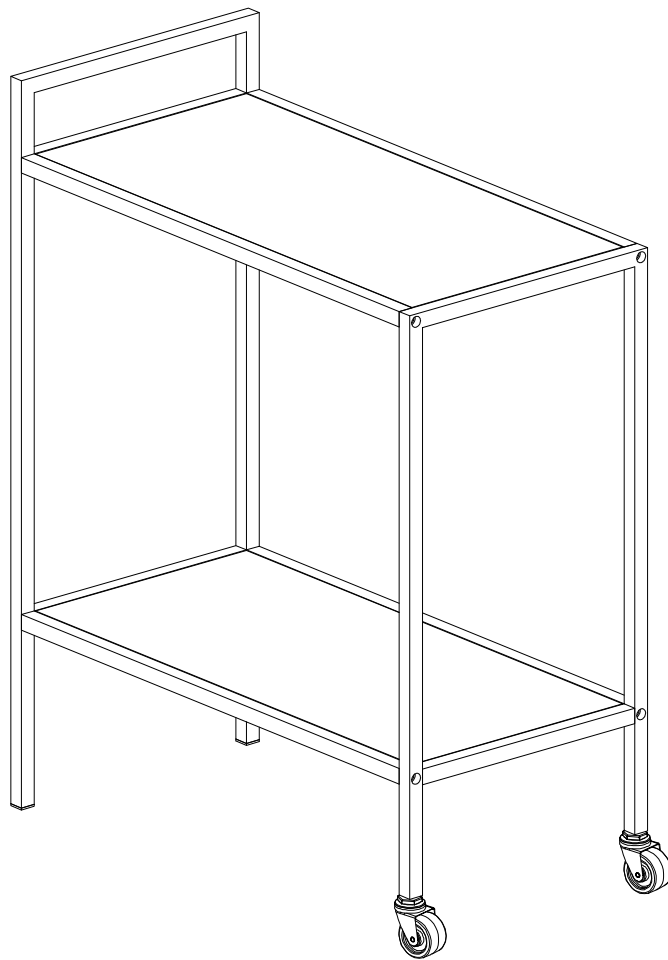
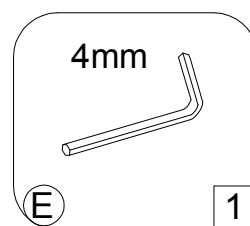
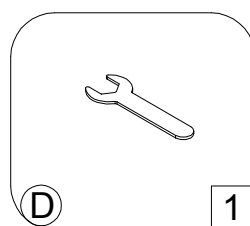
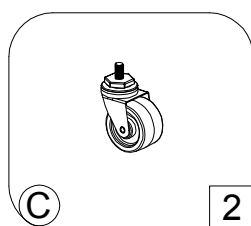
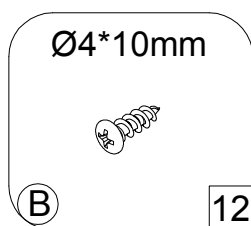
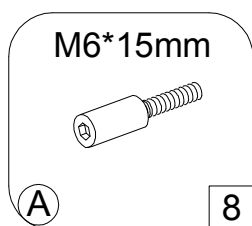
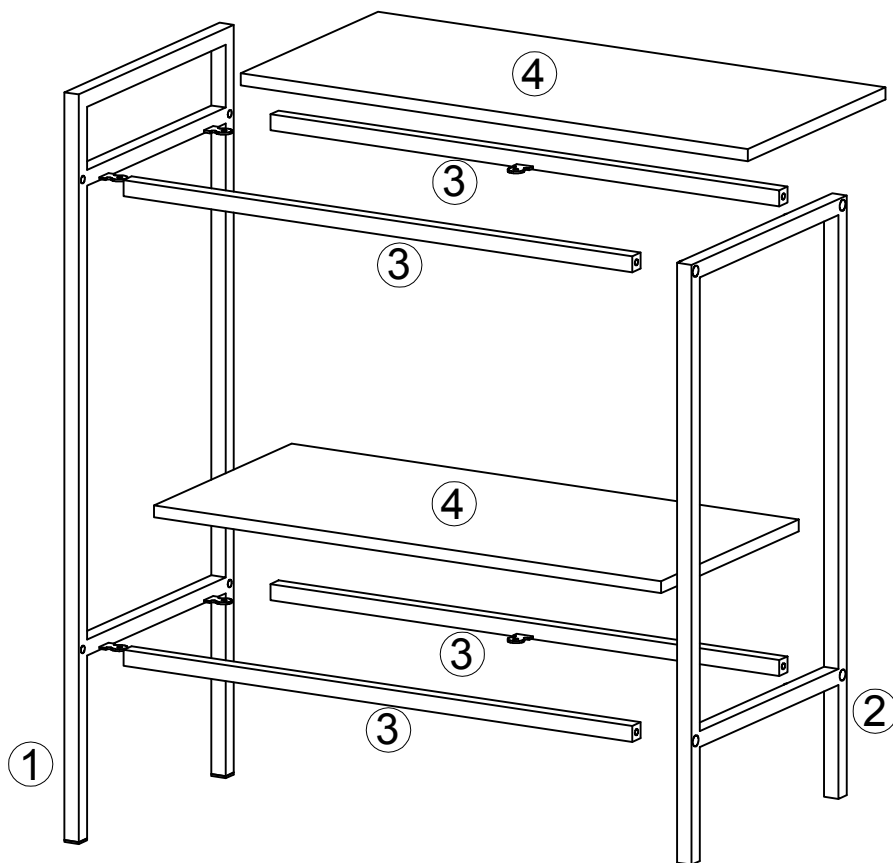
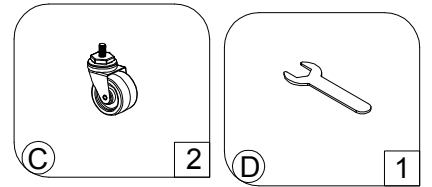
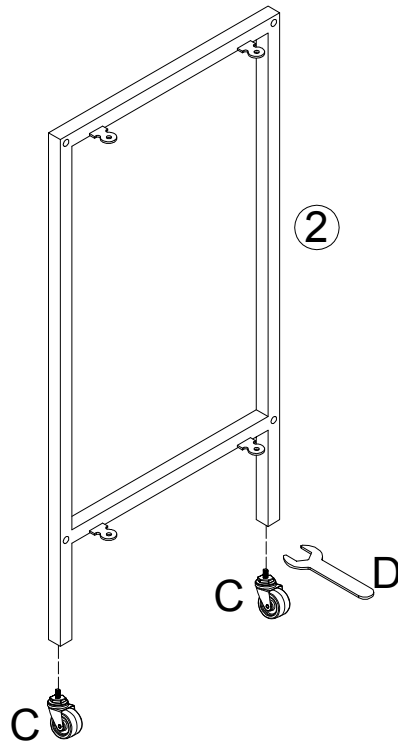


Seaford

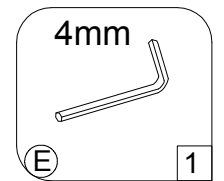
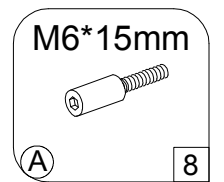
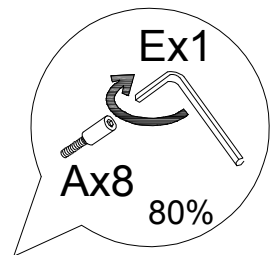
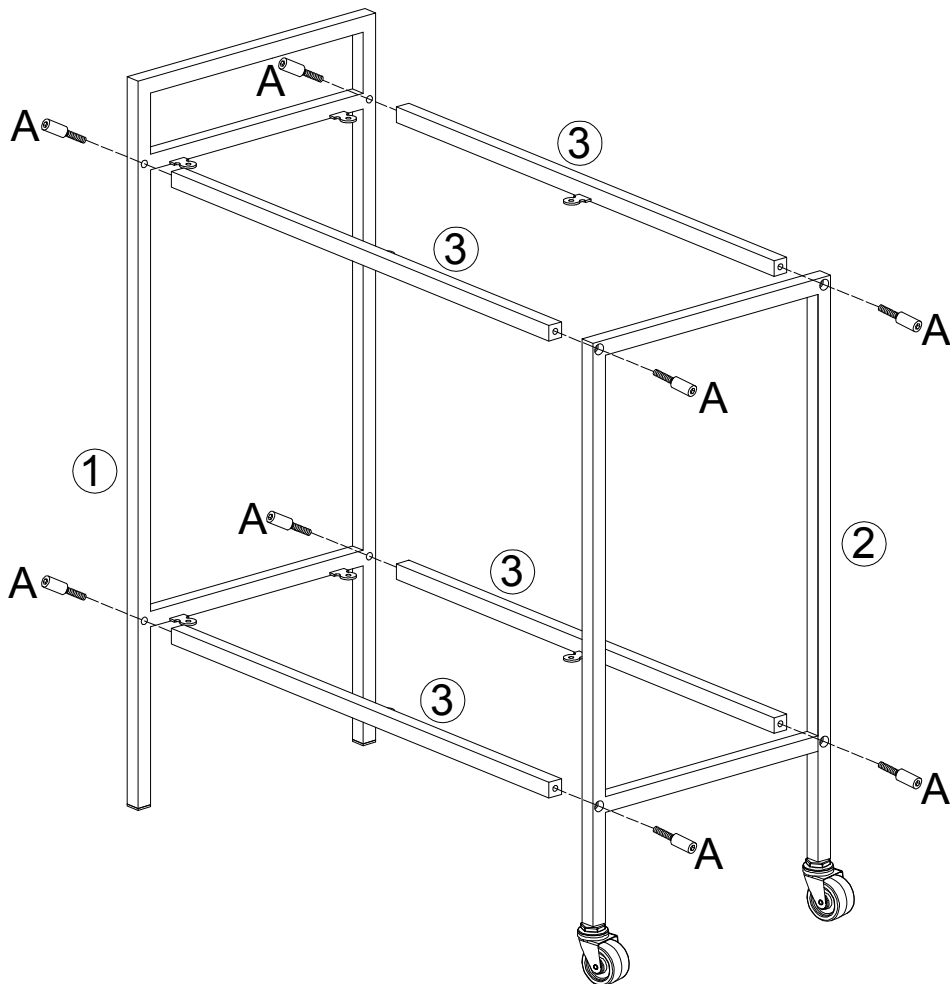




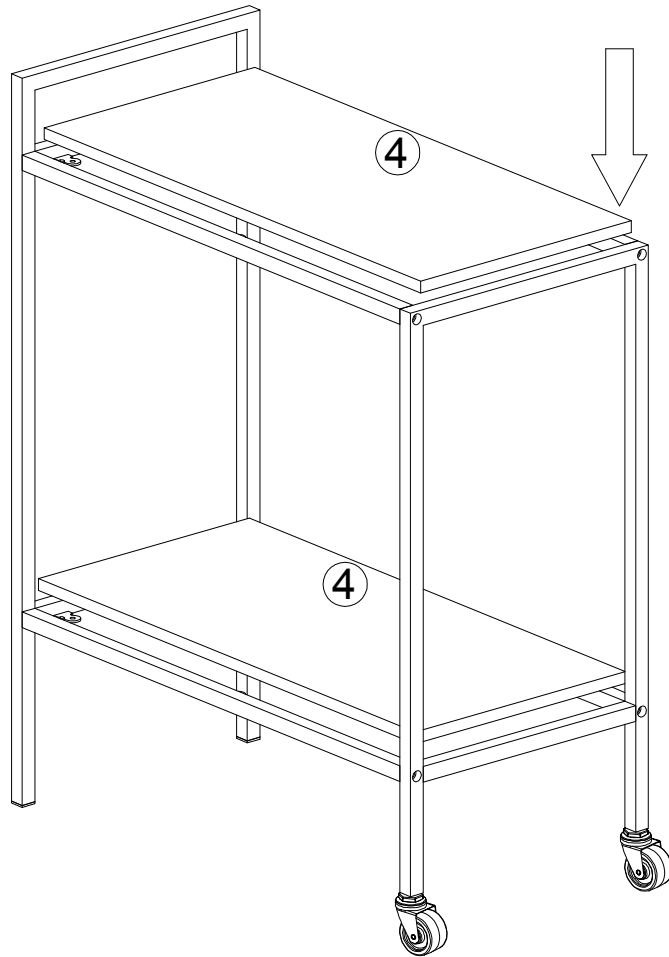
1



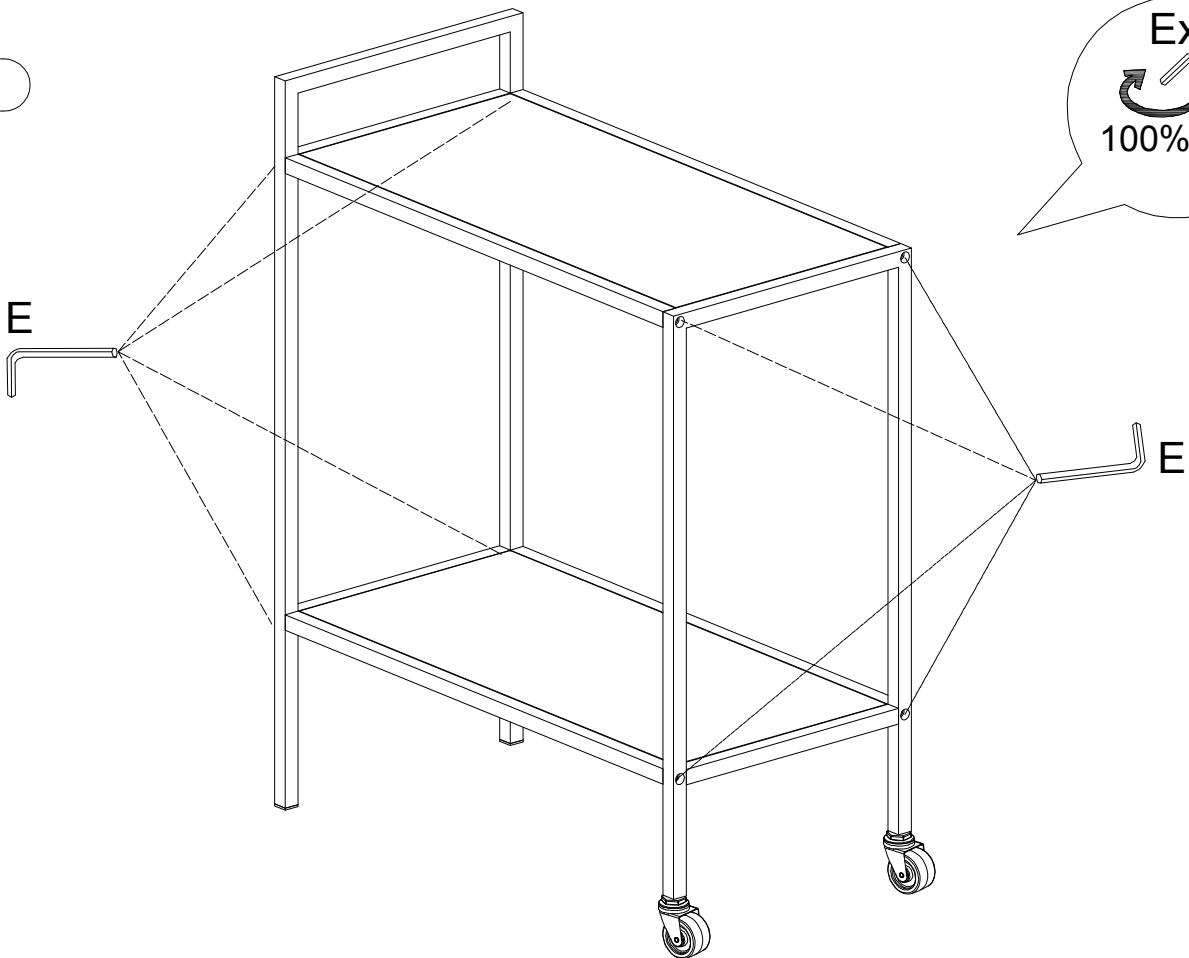
2



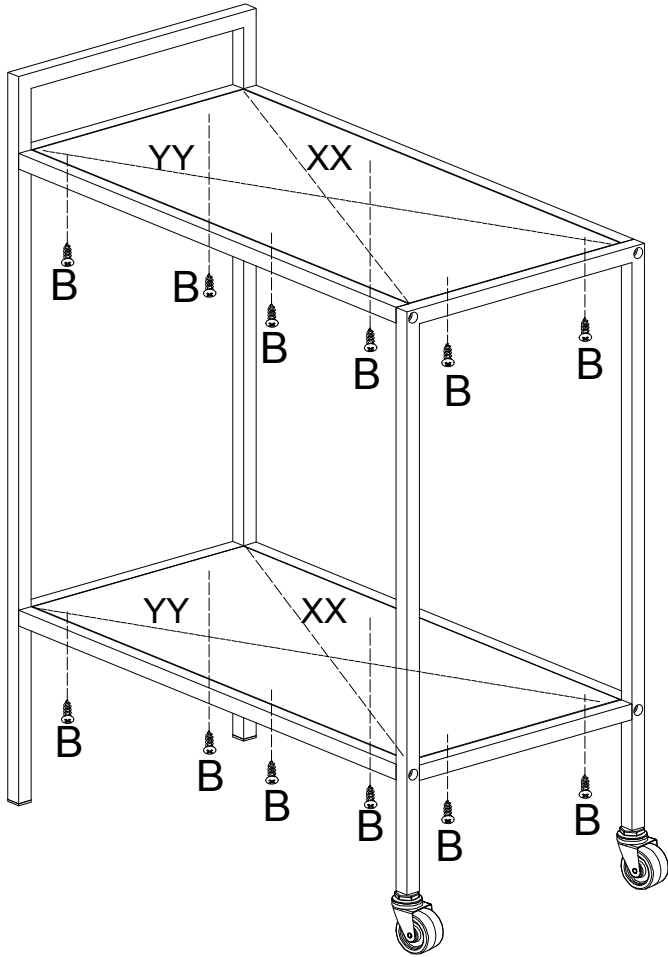
3



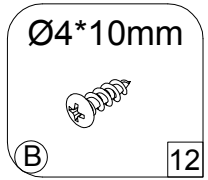
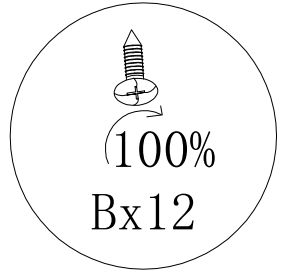
4



5



! XX=YY



6

