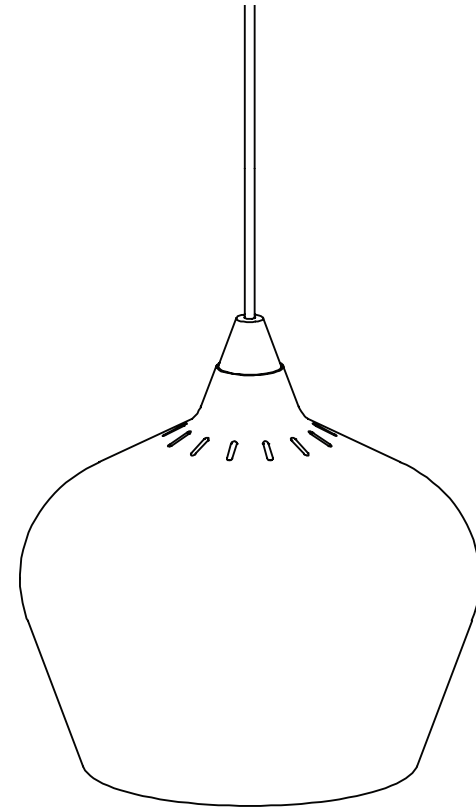


# COHEN

DESIGN BY  
FRANSEN DESIGN STUDIO

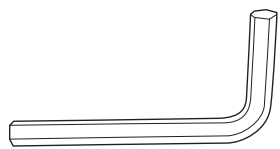


Frandsen has been designing,  
producing and marketing lamps  
since 1968

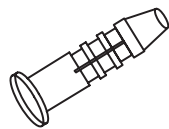
*"It is important for us to design  
lamps in beautiful materials, and  
to make sure that our products  
are signalling quality and taste"*

**FRANSEN**

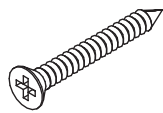
WWW.FRANSEN.COM



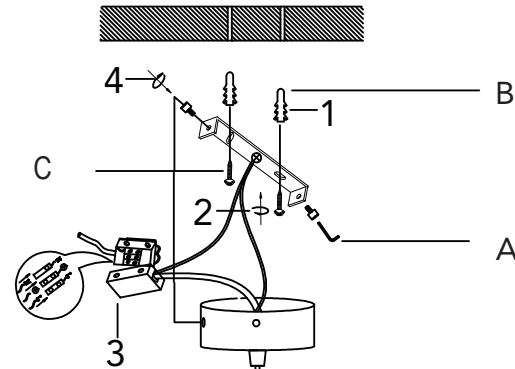
1 x A



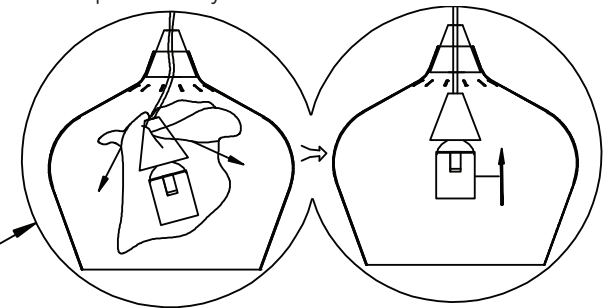
2 x B



2 x C



5 Remove the protect paper after the whole lamp assembly



If the external flexible cable or cord of this luminaire is damaged, it shall be exclusively replaced by the manufacturer or his service agent or a similar qualified person in order to avoid a hazard.