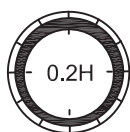
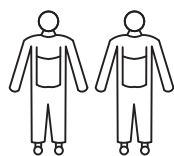
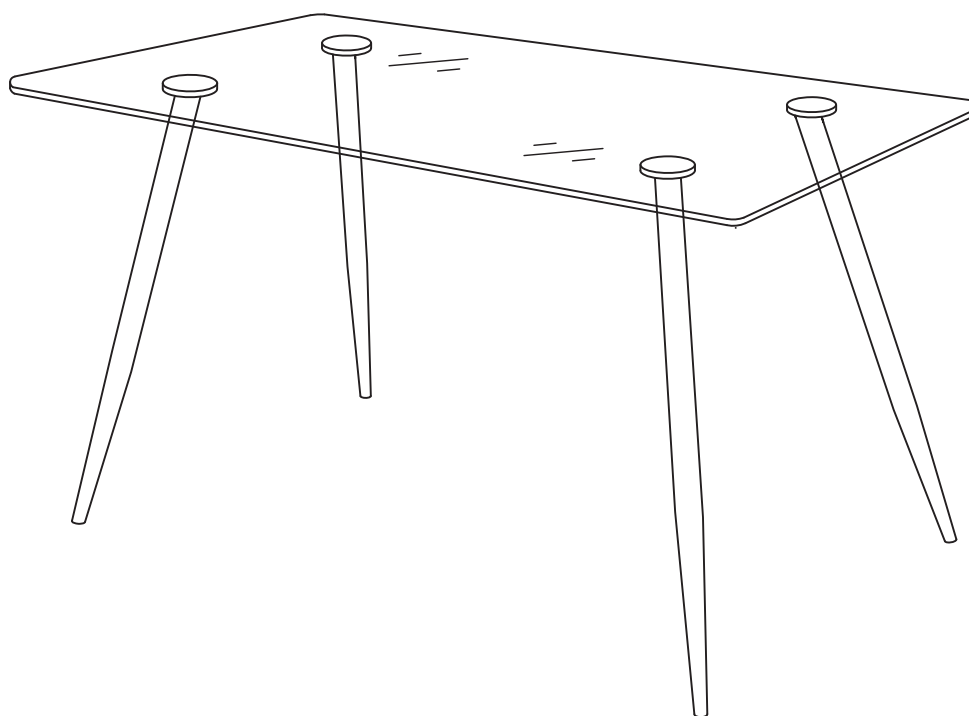
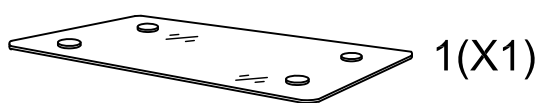
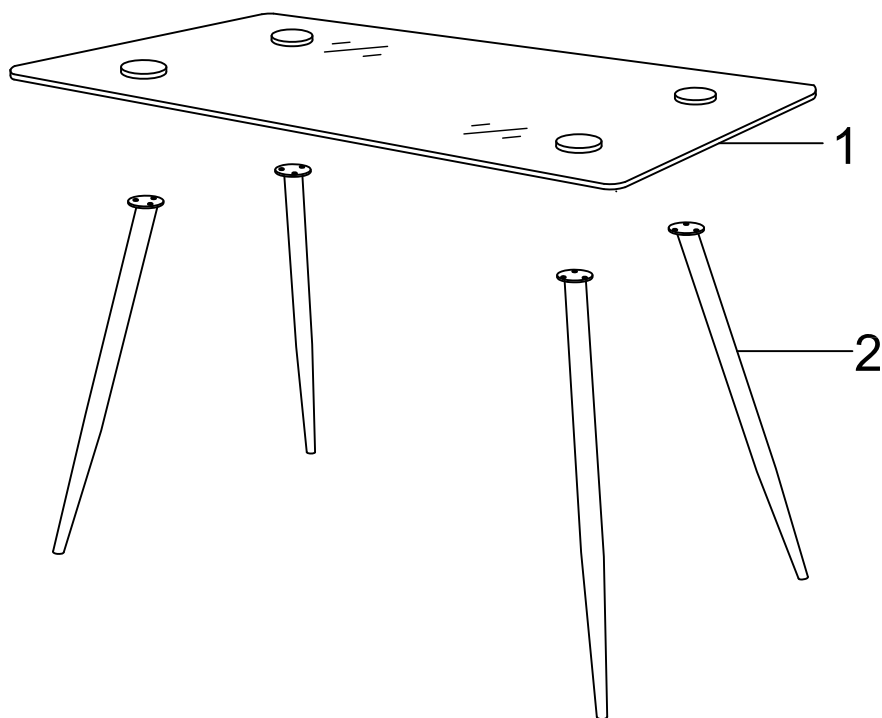


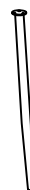
Wilma



Wilma



2(X4)



M8x10
A(X12)



Ø8
B(X12)

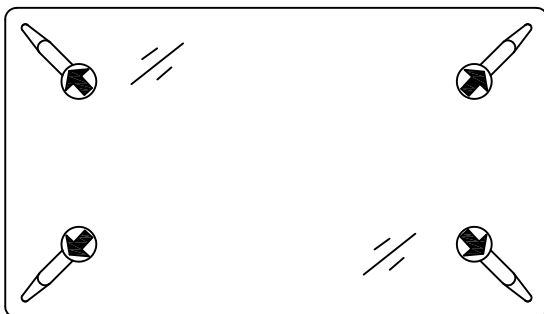
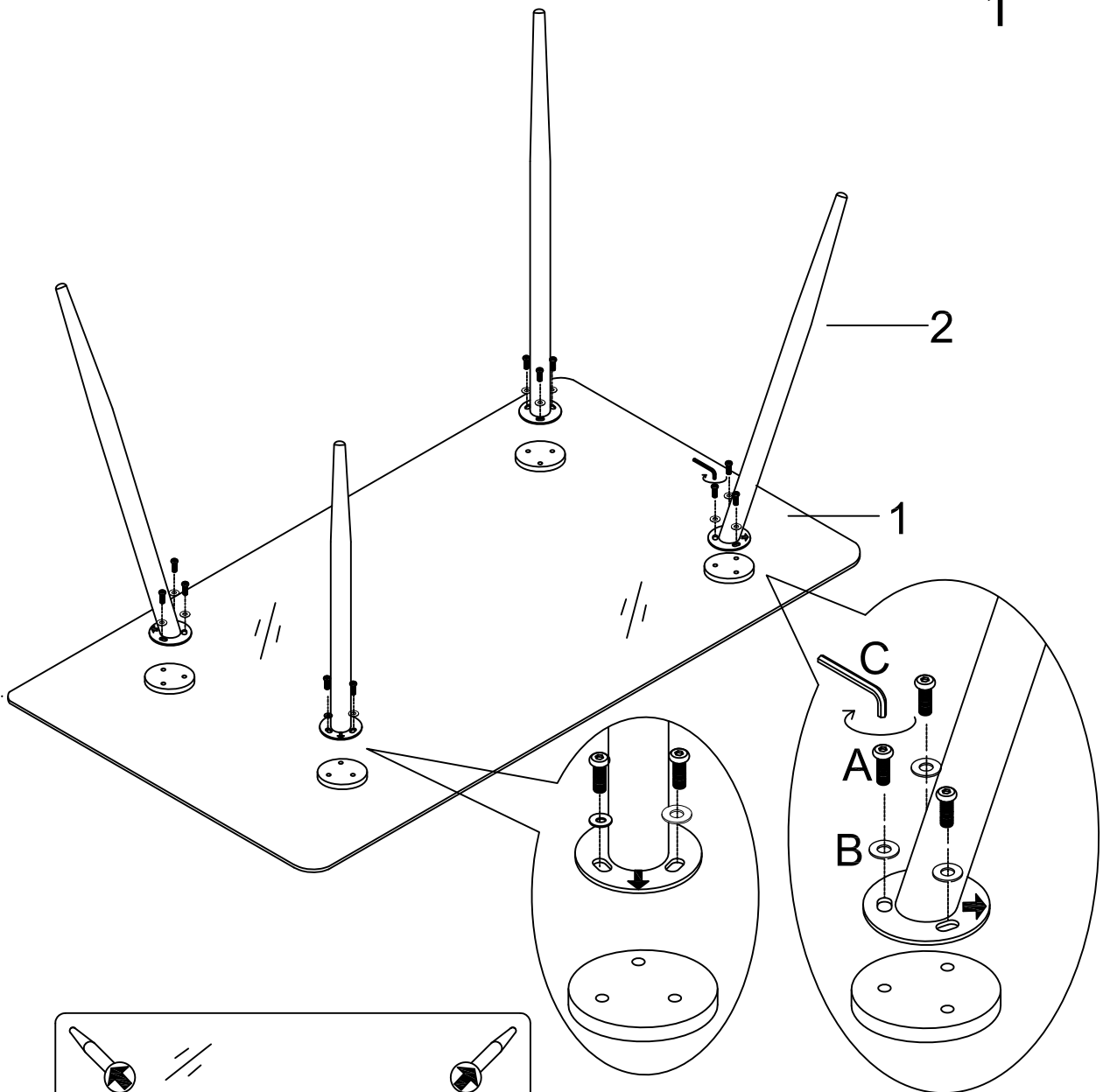


C(X1)



Wilma

1



A(X12) B(X12) C(X1)

