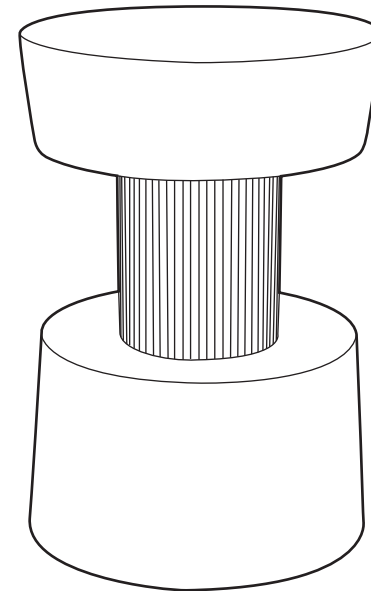


pols potten[®]

instruction manual



polspotten.nl
global-from-holland

Stool Nut graphite

design by pols potten studio

390-030-002

“ Thank you for choosing a pols potten product.
To ensure safe and satisfactory use of this product,
please carefully read the below instructions beforehand.”

general information

The construction of your furniture: This stool is made of graphite plated aluminium. This stool is for indoor use only.

safety note

- Always completely lift the furniture in an upright position when moving it. Handle and move with care as improper handling may cause material damage and personal injury.
- Ensure the furniture is always placed level on its legs.
- Do not stand, climb or jump on the furniture.
- Please keep these instructions for future reference.

care instructions

- Clean by wiping with a damp cloth and immediately wipe dry with a soft dry cloth.
- Avoid contact with abrasive, alcohol and solvent based substances or cleaning agents, they can damage the surface.
- The use of furniture polish or sprays is neither necessary nor recommended.
- Remove liquid spills immediately with an absorbent cloth to prevent staining.
- Do not strike with hard or sharp items.
- Keep out of direct sunlight or away from heat sources.
- To prevent stains the use of coasters is recommended.

