



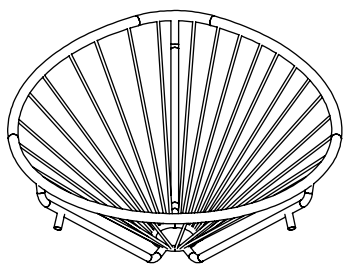
10 min



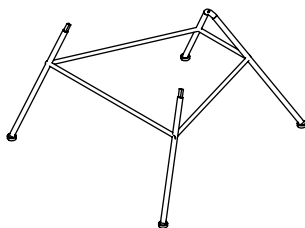
x1



x1



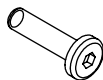
**A x1**



**B x1**



**C x2**



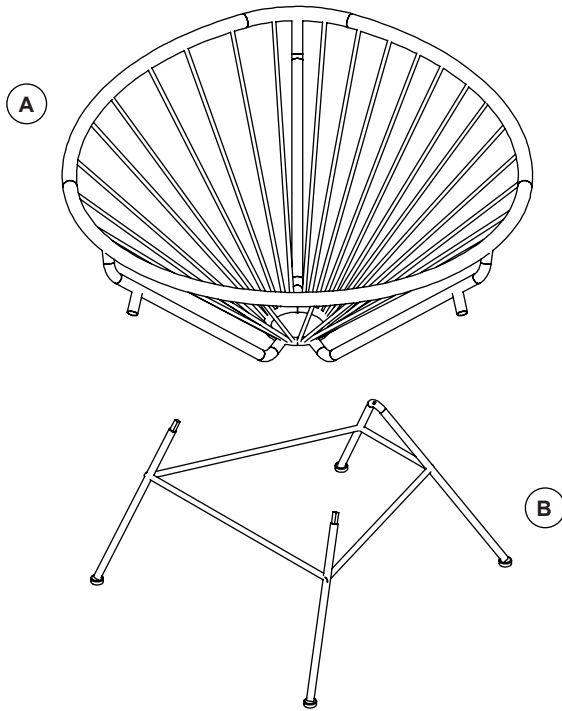
**D x1**



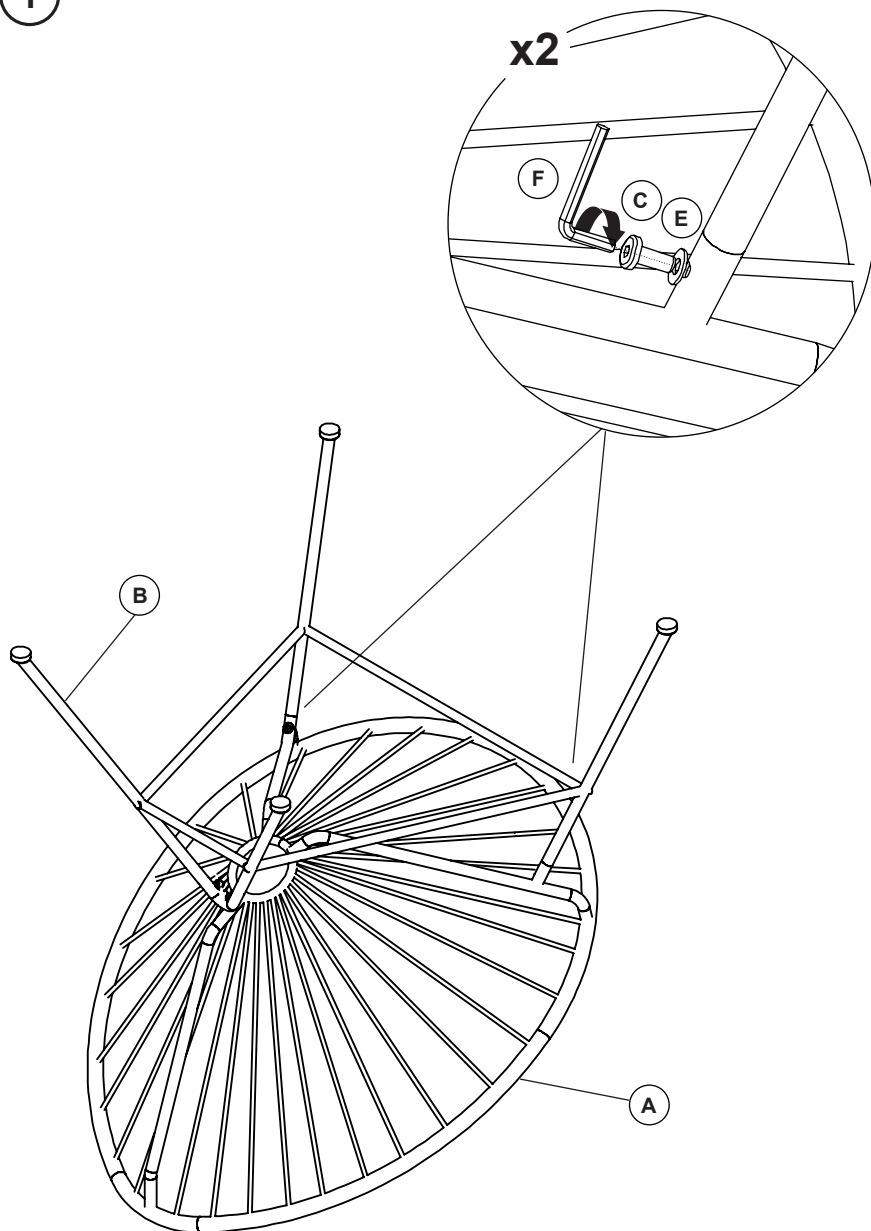
**E x3**



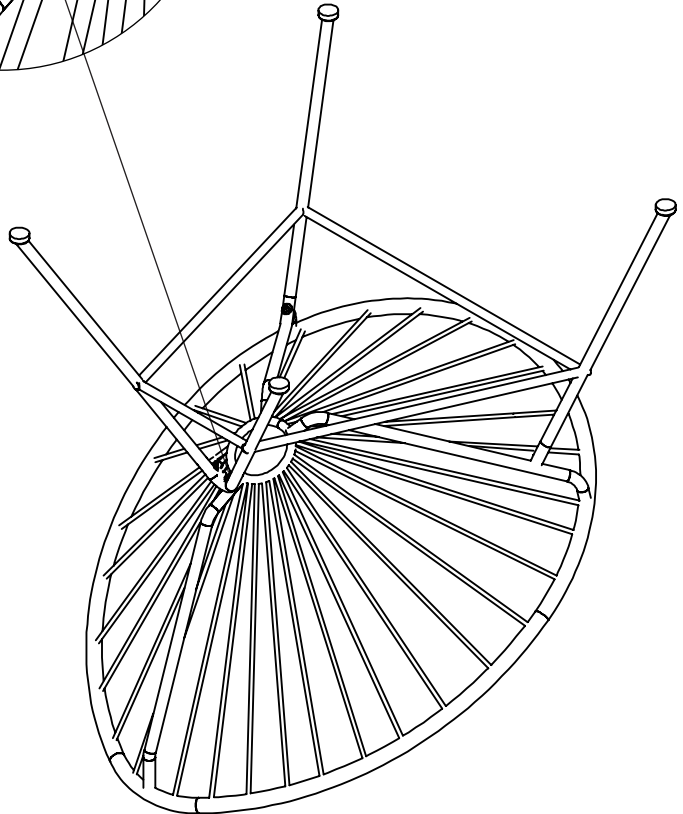
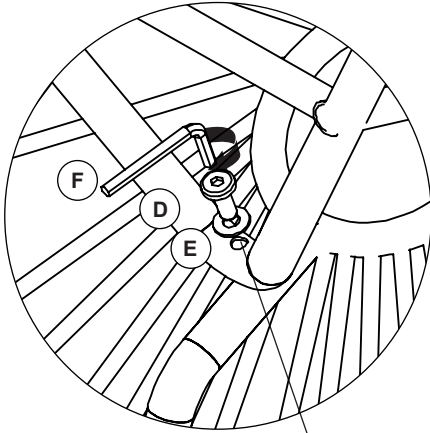
**F x1**

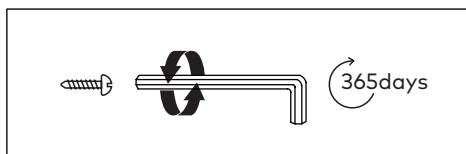
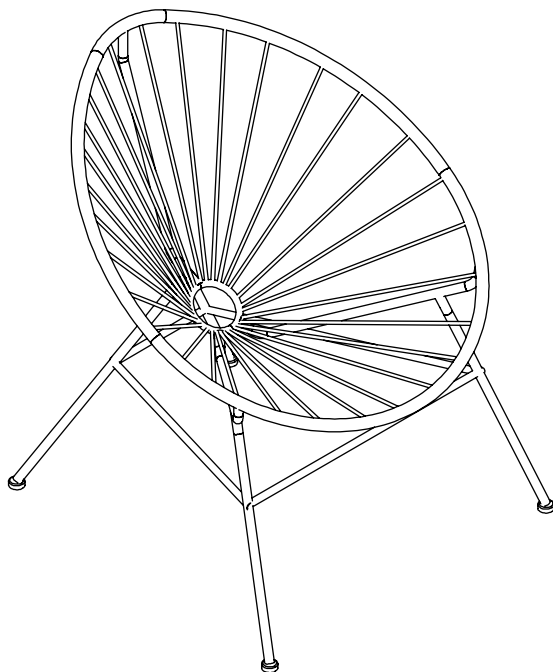


1



2







**THAT'S ALL FOLKS!**

Share your style!

**#KaveHome**

