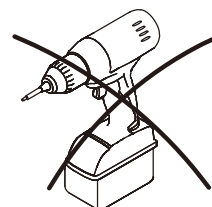
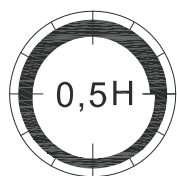
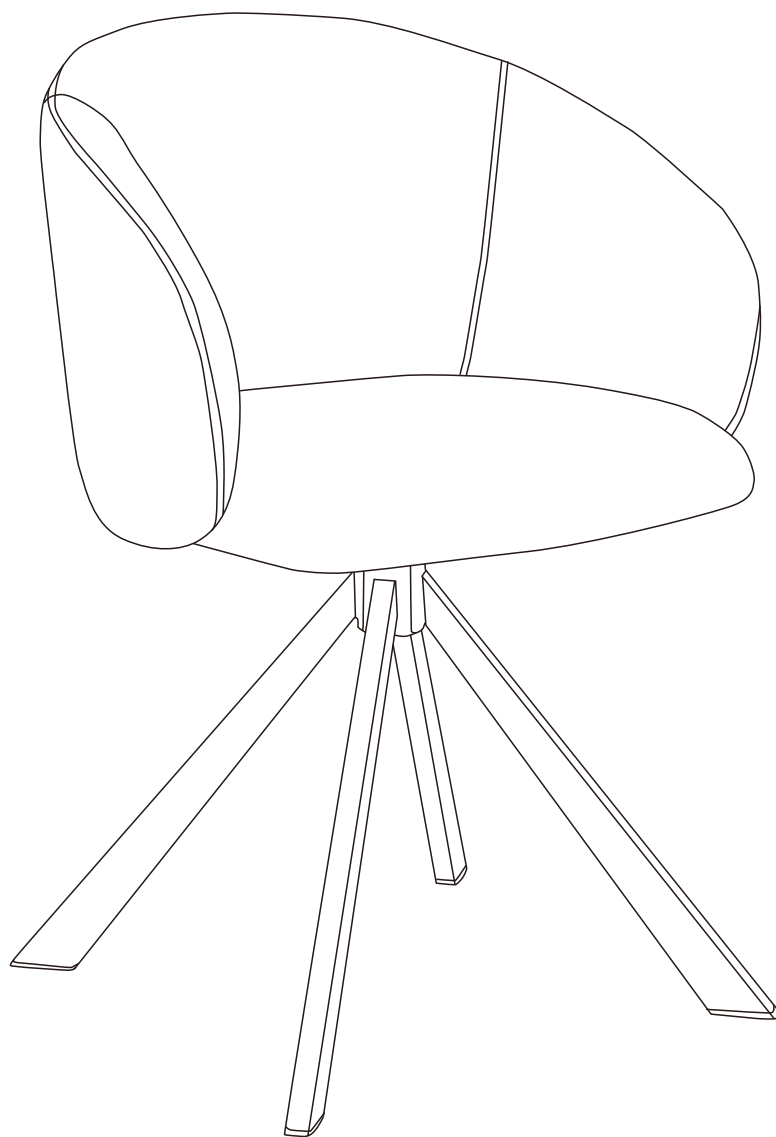
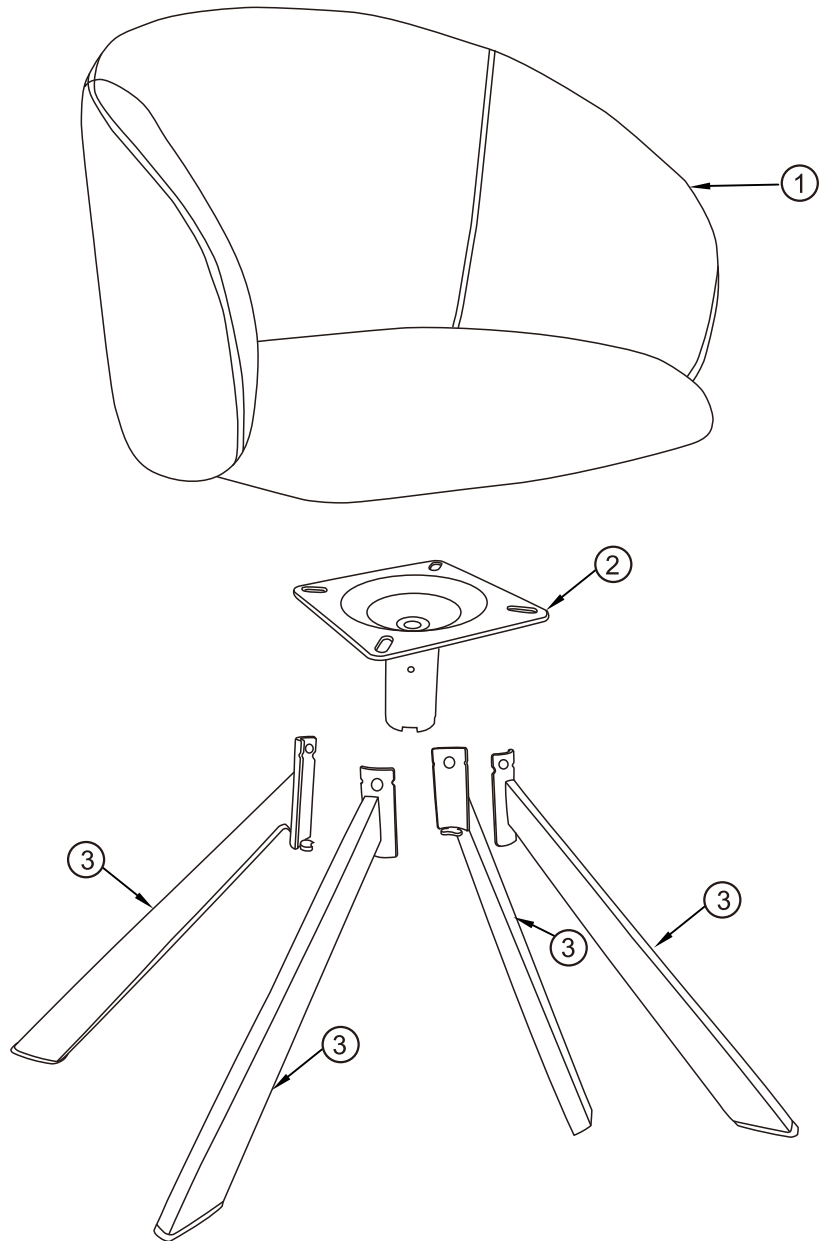
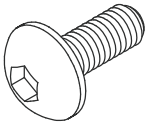
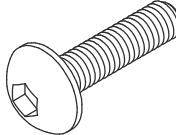


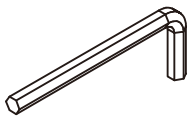


ELEANOR

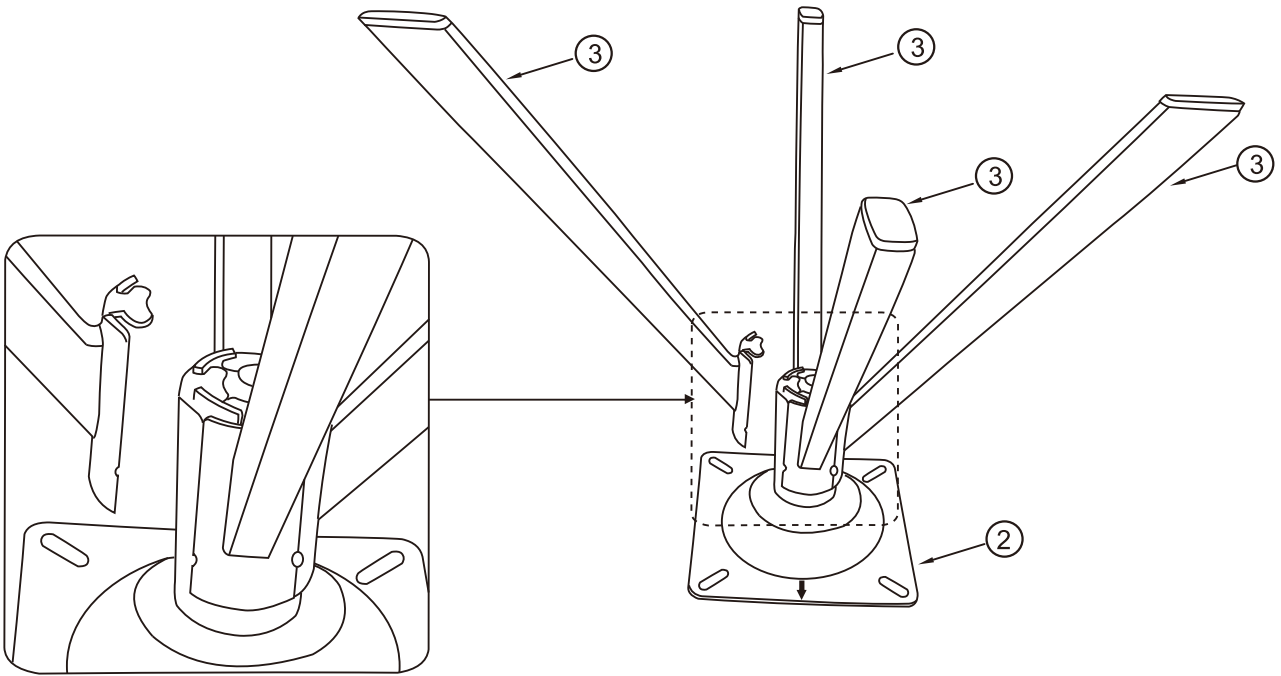


| | | | |
|---|---|-------------|---|
| | | | ✓ |
| ① | 1 | 540x570x390 | |
| ② | 1 | 165x165x120 | |
| ③ | 4 | 500x40x45 | |

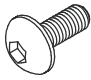





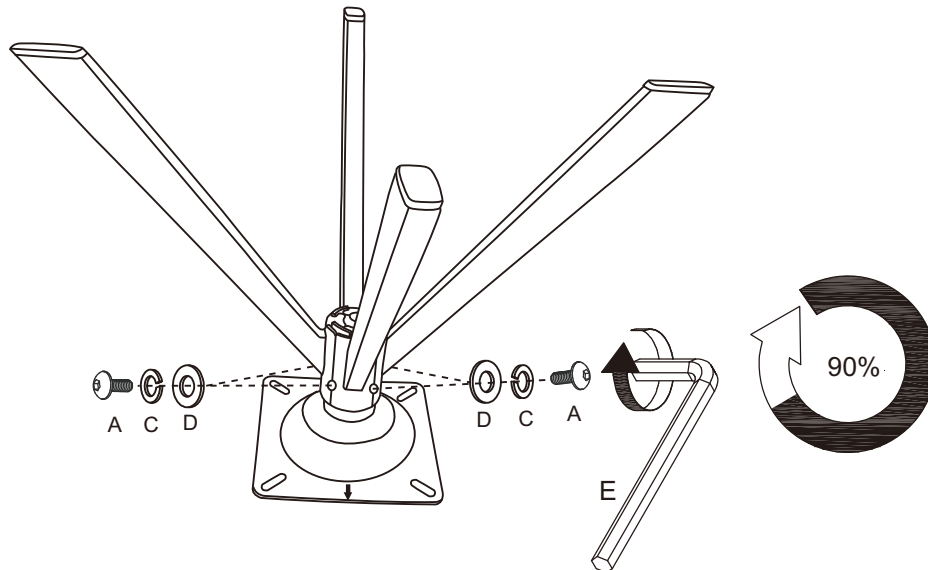
| A x 4 | B x 4 | C x 8 | D x 8 | E x 1 |
|---|---|---|---|---|
|  |  |  |  |  |
| M6x16 mm | M6x20mm | Ø6/Ø10 mm | Ø6/Ø17 mm | 5 mm |

1

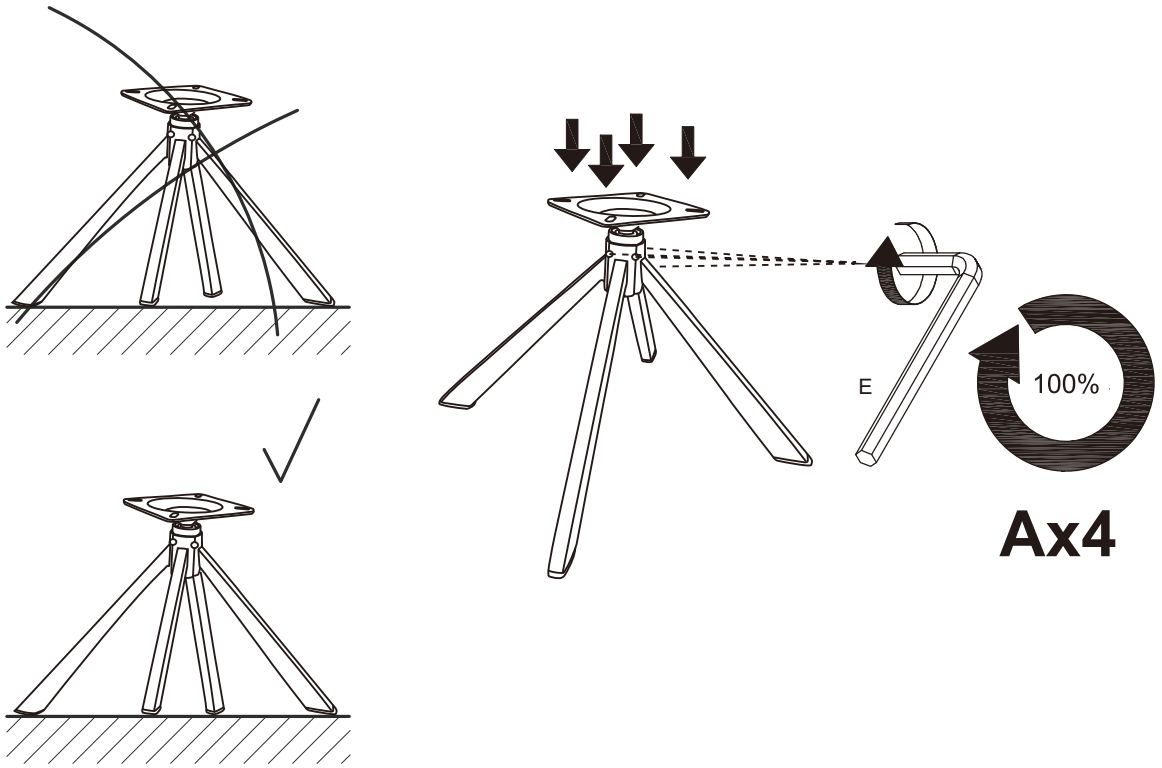
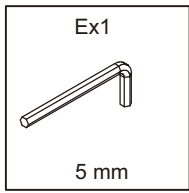


2

| A x 4 | C x 4 | D x 4 | E x 1 |
|---|---|---|---|
|  |  |  |  |
| M6x16 mm | Ø6/Ø10 mm | Ø6/Ø17 mm | 5 mm |

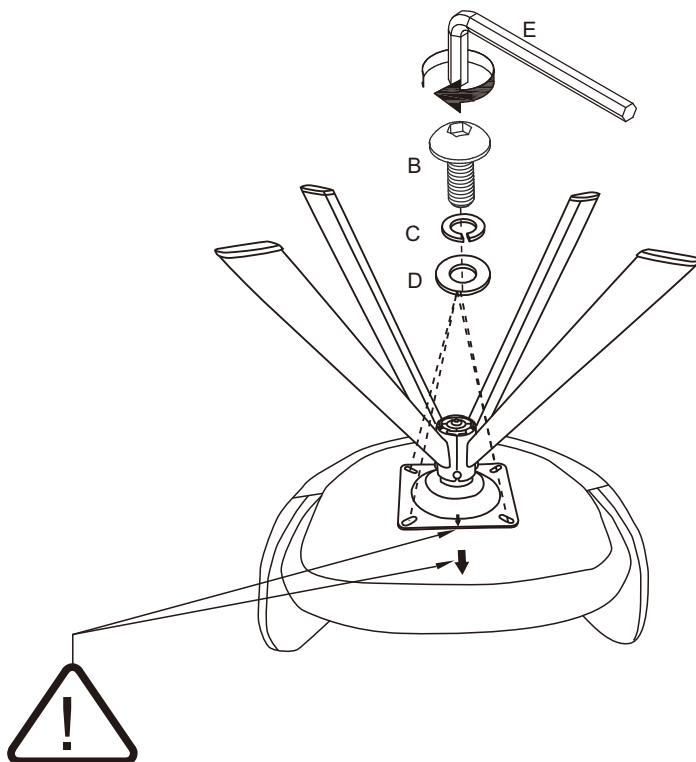


3



4

| | | | |
|------------------------------|-------------------------------|-------------------------------|--------------------------|
| B x 4 M6x20 mm | C x 4 Ø6/Ø10 mm | D x 4 Ø6/Ø17 mm | E x 1 5 mm |
|------------------------------|-------------------------------|-------------------------------|--------------------------|



5

