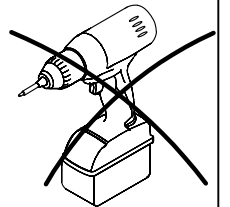
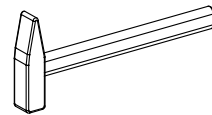
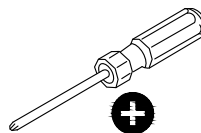
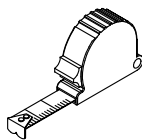
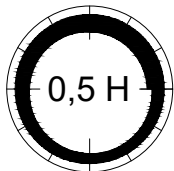
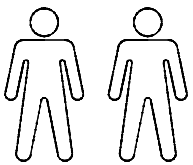
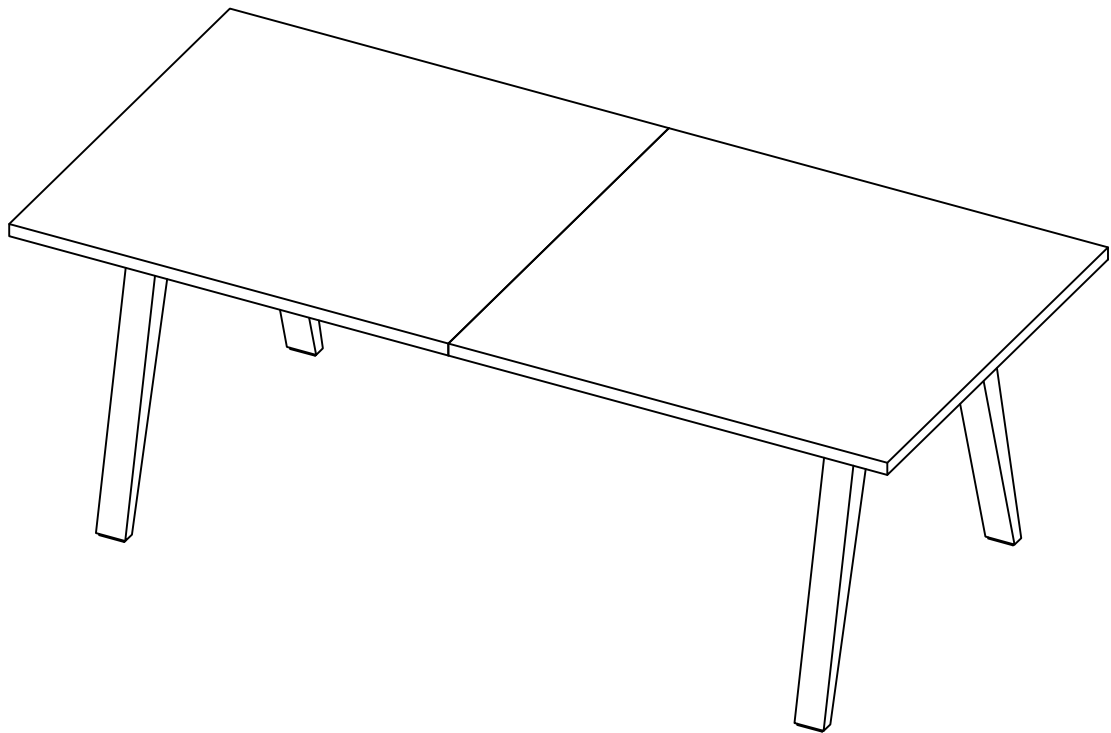
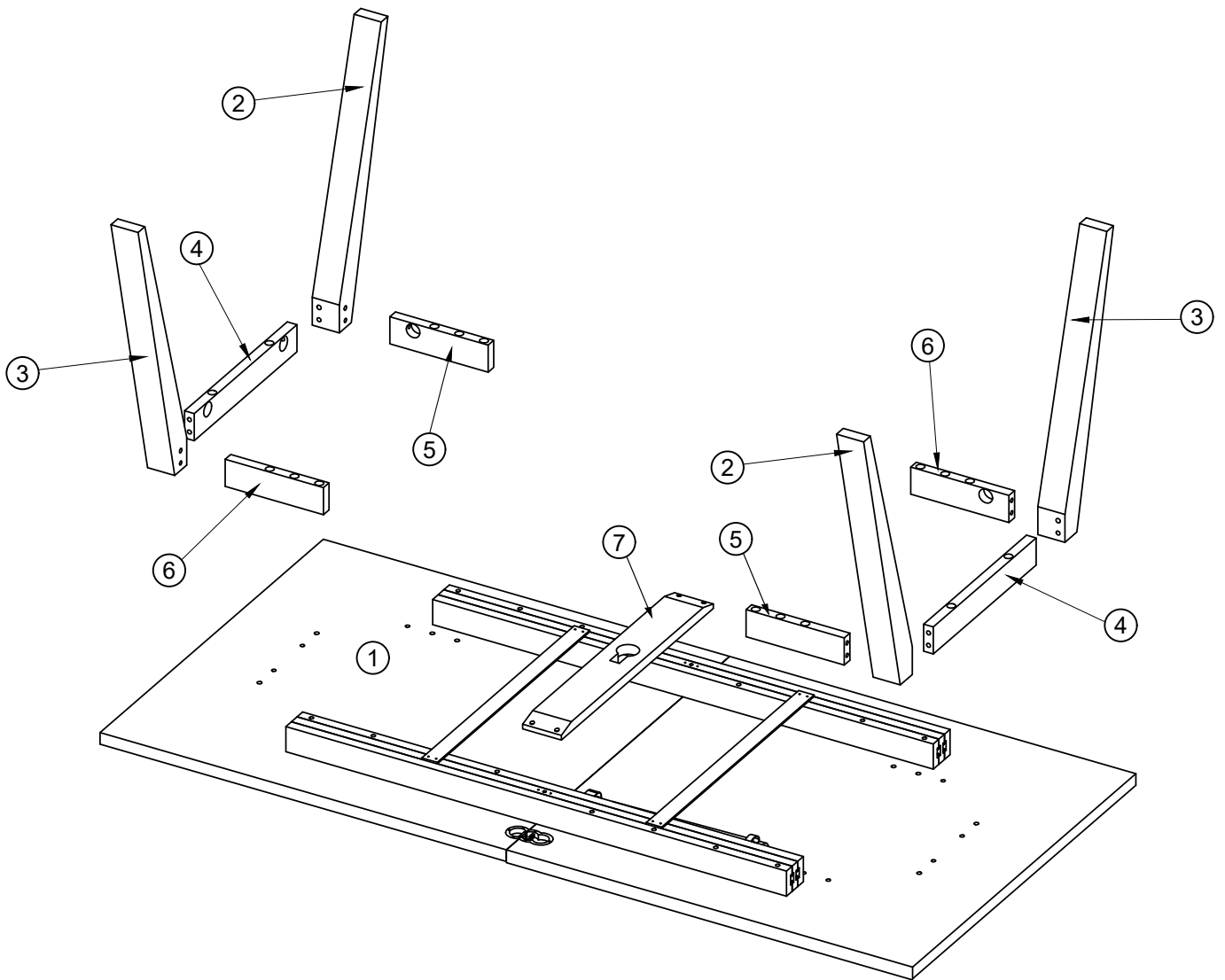


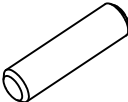

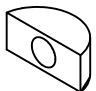
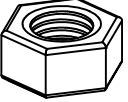
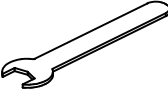

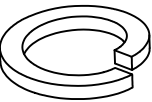
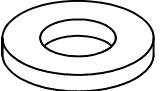


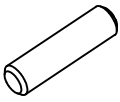

A-LINE



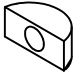



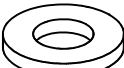
			✓
①	1	2100x1000x100	
②	2	745x70x70	
③	2	745x70x70	
④	2	460x70x25	

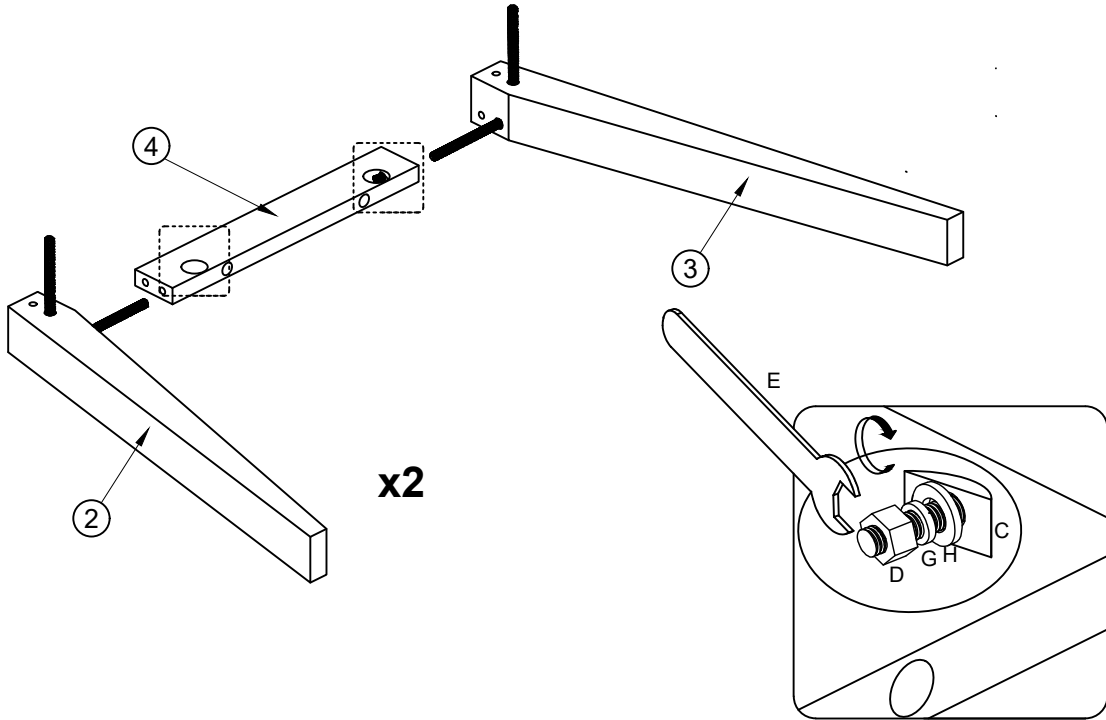
			✓
⑤	2	255x70x25	
⑥	2	255x70x25	
⑦	1	690x100x25	
⑧	1	640xØ49xØ30	



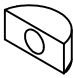


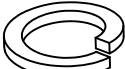
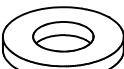
<p>A x 12</p>  <p>Ø10 x 40 mm</p>	<p>B x 8</p>  <p>M8 x 85 mm</p>	<p>C x 8</p>  <p>27 x 14 x 6mm</p>	<p>D x 8</p>  <p>M8/12mm</p>	<p>E x 1</p>  <p>12 mm</p>
<p>F x 16</p>  <p>M8 x 70 mm</p>	<p>G x 24</p>  <p>Ø8 mm</p>	<p>H x 24</p>  <p>Ø8/Ø15 mm</p>	<p>J x 1</p>  <p>5 mm</p>	<p>K x 4</p>  <p>65 x 22 x 3 mm</p>
<p>L x 2</p>  <p>Ø8 x 30 mm</p>	<p>M x 4</p>  <p>Ø4 x 25 mm</p>			

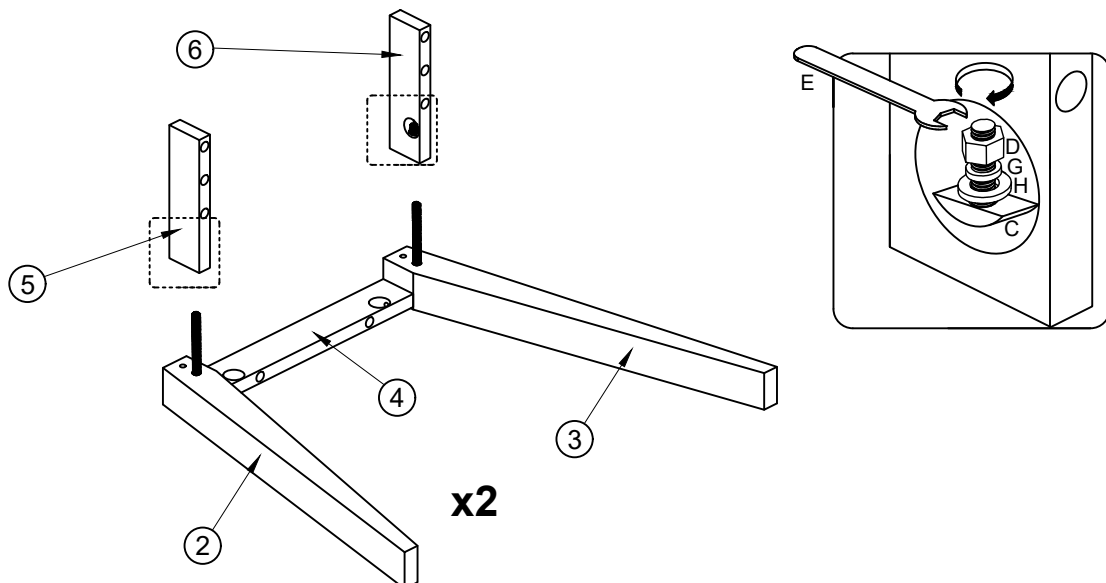
3

C x 4  27 x 14 x 6mm	D x 4  M8/12mm	E x 1  12 mm	G x 4  Ø8 mm	H x 4  Ø8/Ø15 mm
---	---	---	---	---

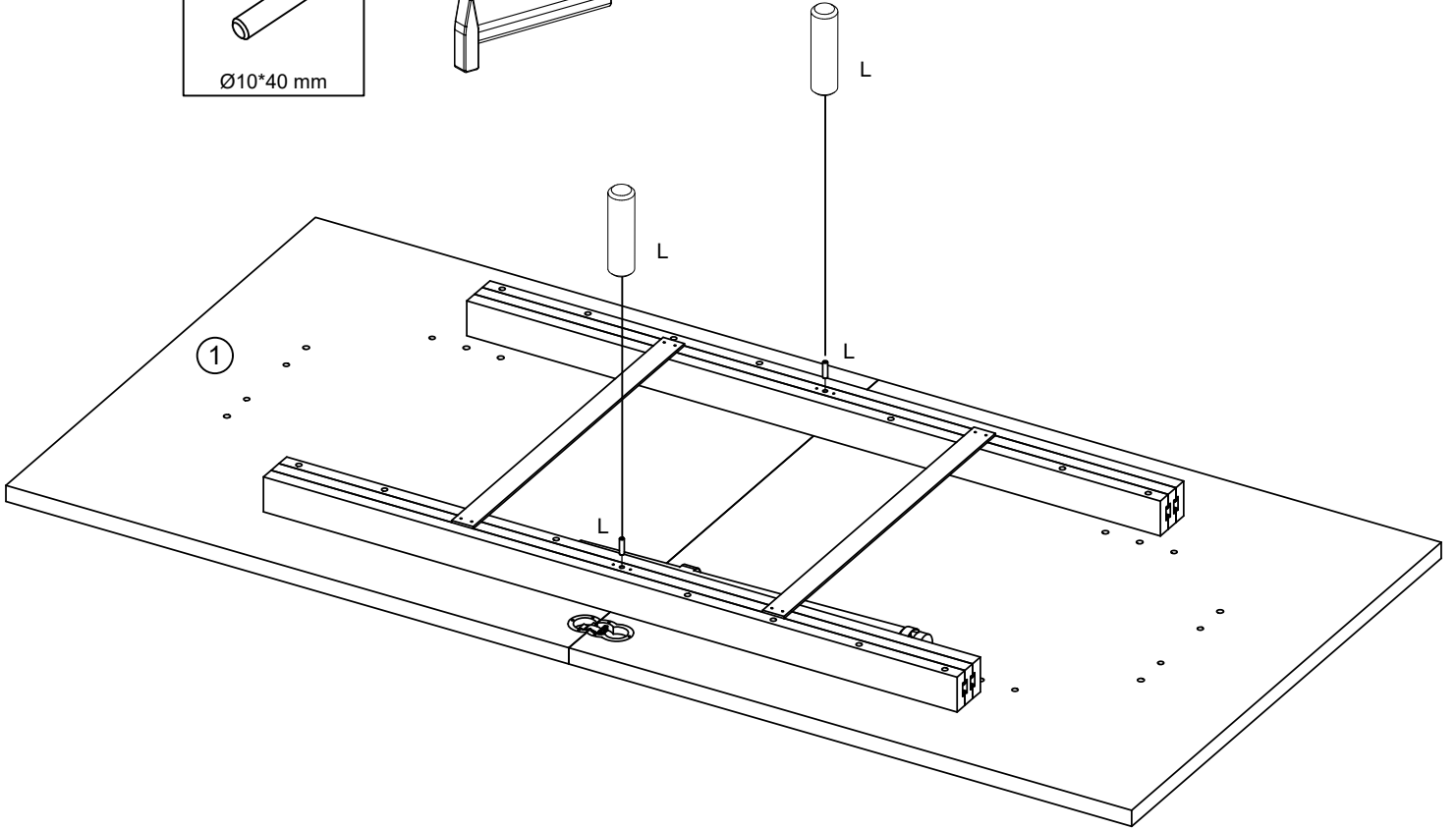
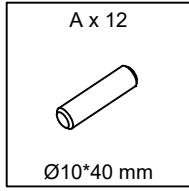


4

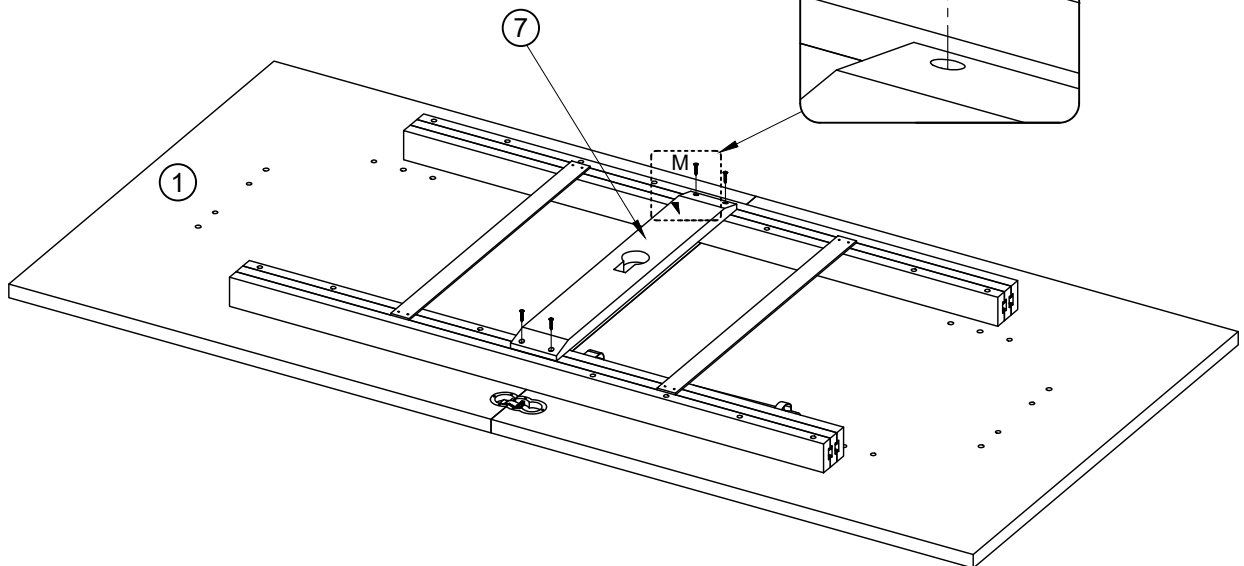
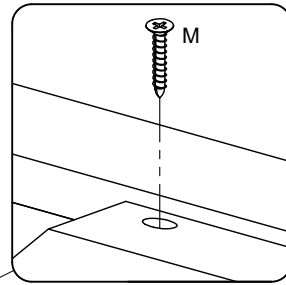
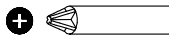
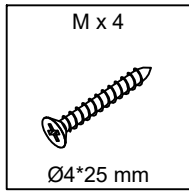
C x 4  27 x 14 x 6mm	D x 4  M8/12mm	E x 1  12 mm	G x 4  Ø8 mm	H x 4  Ø8/Ø15 mm
---	---	---	---	---







5

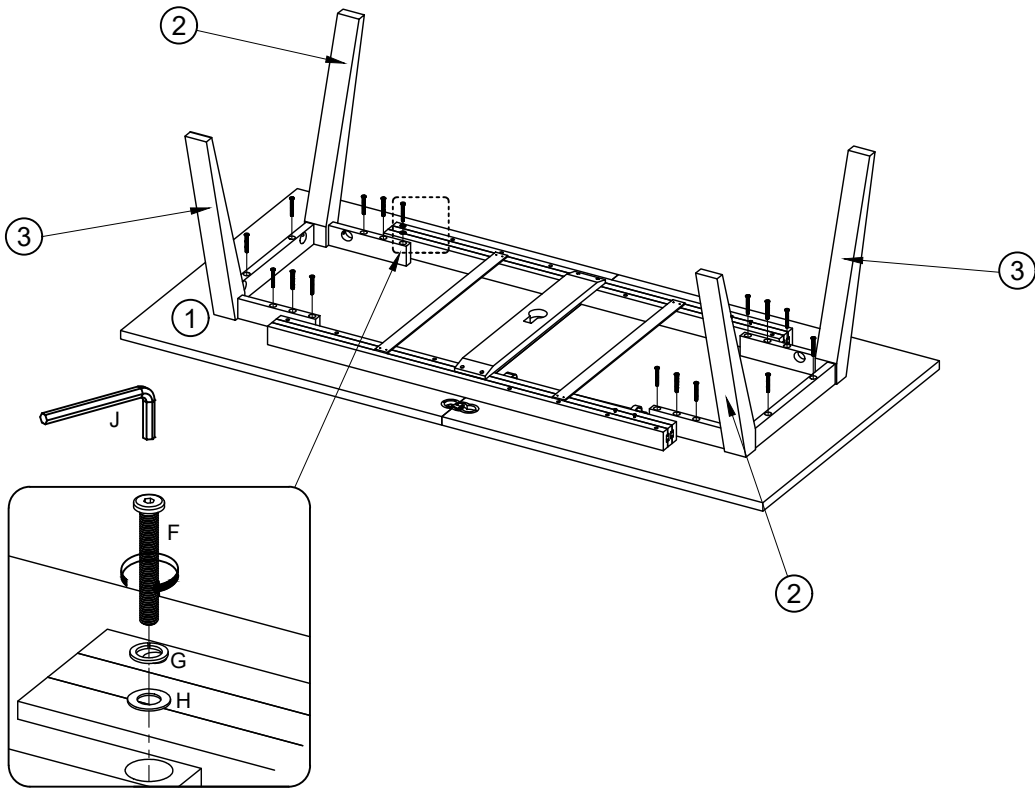


6

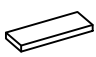


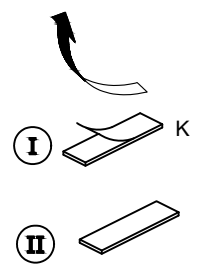
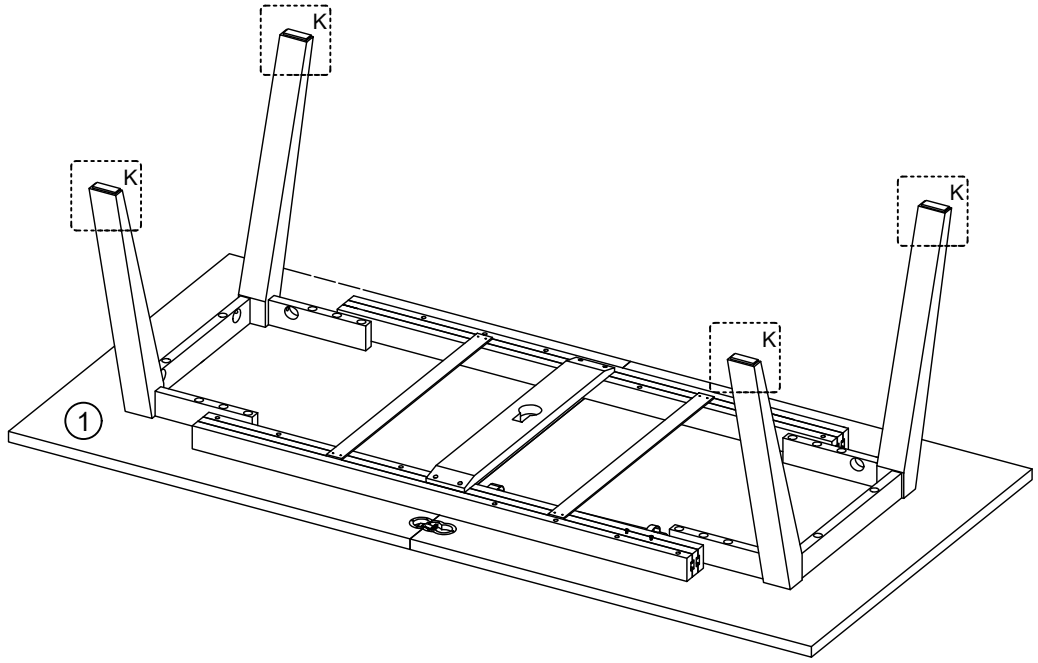
7

F x 16  M8 x 70 mm	G x 16  Ø8 mm	H x 16  Ø8/Ø15 mm	J x 1  5 mm
---	--	--	--



8

K x 4  65 x 22 x 3 mm
--



9

