

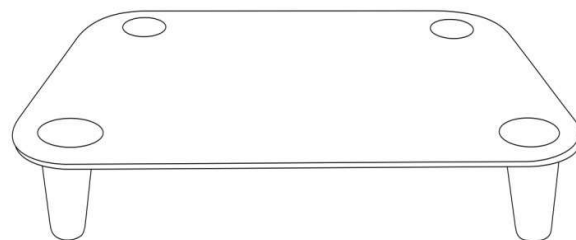
Assembly Instructions

MESA DE CENTRO

Size: - 150 x 90 x 40 cm (LxWxH)

English

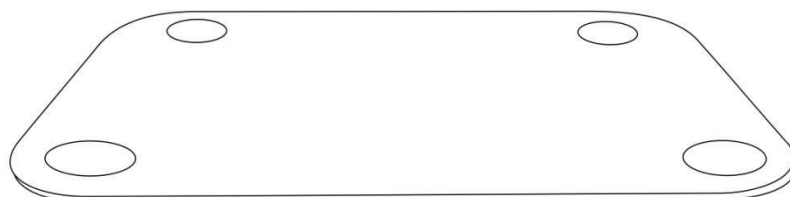
This page lists the contents included in the box. Please take time to identify the hardware as well as the individual components of the product. As you unpack and prepare for assembly, place the contents on a carpet or a padded area to protect them from damage. Please follow the assembly instructions closely. Improper assembly can result in personal or property damage.



Contents inside the box

Top X 01

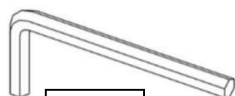
8 mm x 20 mm



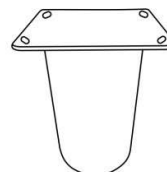
Base X 04

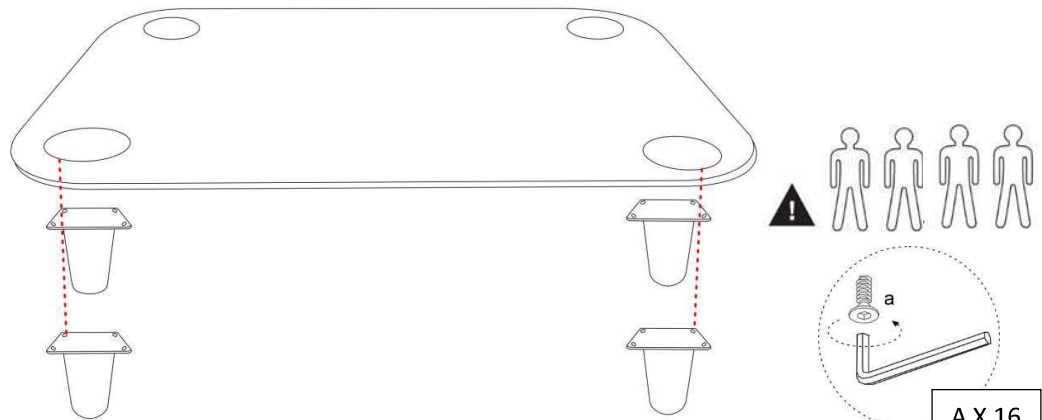


A x 16

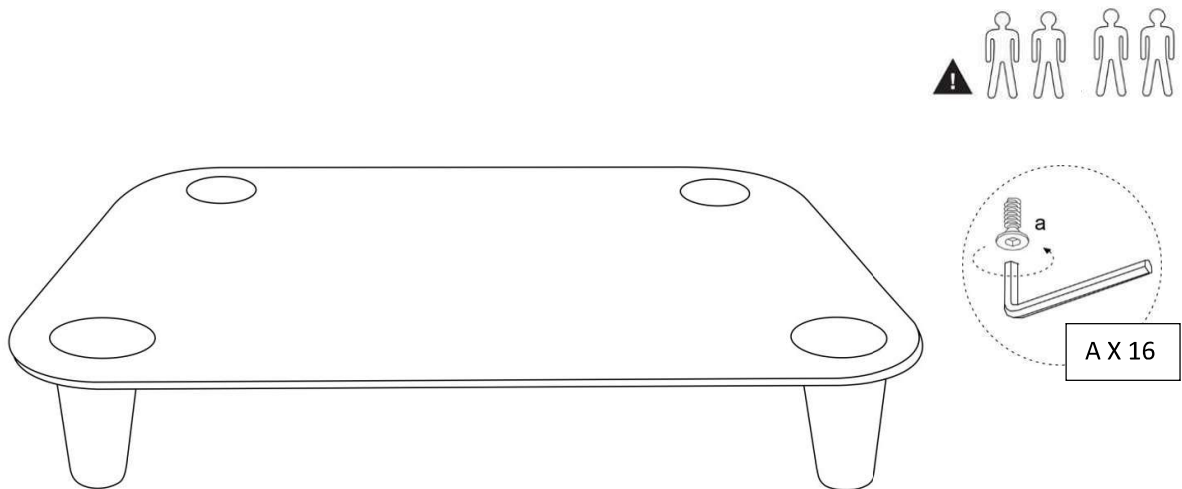


X 01



1

Align peg with holes with matching A B C D on the top to A B C D on the base

2

Cleaning and Care Instructions

- Clean Surface with a dry or damp soft cloth.
- Do not use abrasive cleaners.
- Do not use furniture wax or polish.
- It is recommended to use coaters to protect surface from heat and water.
- Do not leave spills unattended.
- Periodically check and tighten hardware as necessary.
- Metal may oxidize with exposure to moisture.
- Protect from heat and liquids.
- Do not use oils or liquids with artificial colour.
- Please protect the surface when using markers.