

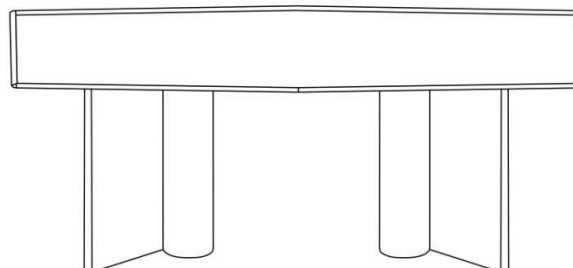
Assembly Instructions

MESA COMEDOR

Size: - 240 X 120 X 75 cm (LxWxH)

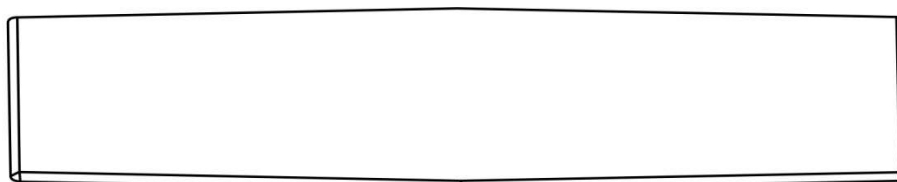
English

This page lists the contents included in the box. Please take time to identify the hardware as well as the individual components of the product. As you unpack and prepare for assembly, place the contents on a carpet or a padded area to protect them from damage. Please follow the assembly instructions closely. Improper assembly can result in personal or property damage.



Contents inside the box

Top X 01

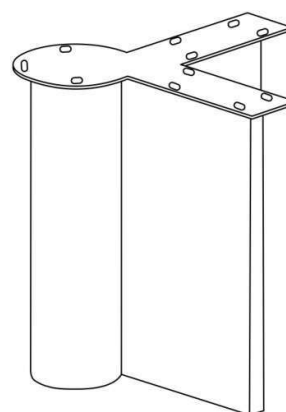
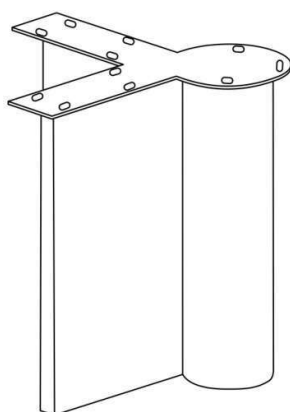


A X 04= 8/60MM

B X 18 = 8/20MM

C X 22 = 8/20 MM

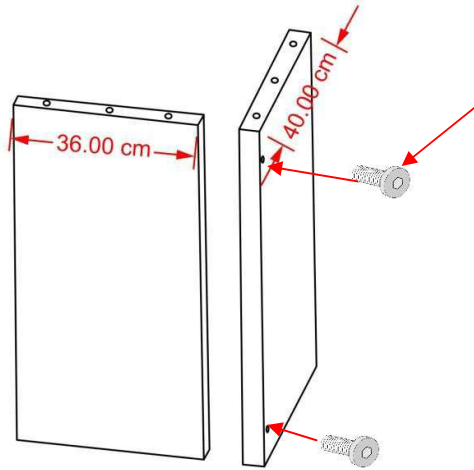
Base X 04



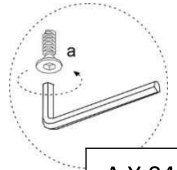
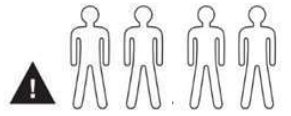
X1

1

Align both the legs at 90 degrees and screw two nuts in the leg as shown for each side.

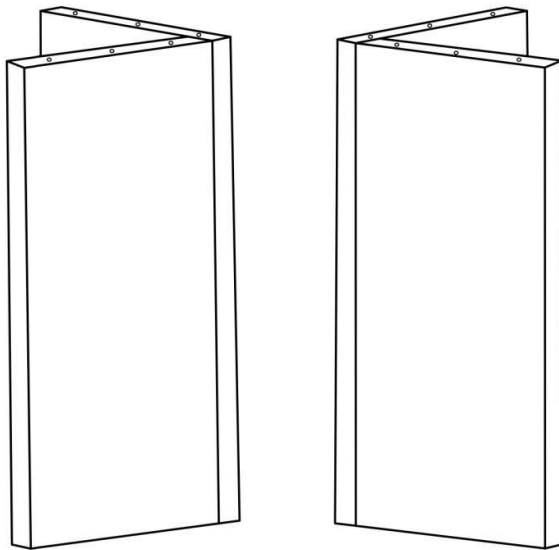


L-BOLT
8/60 MM



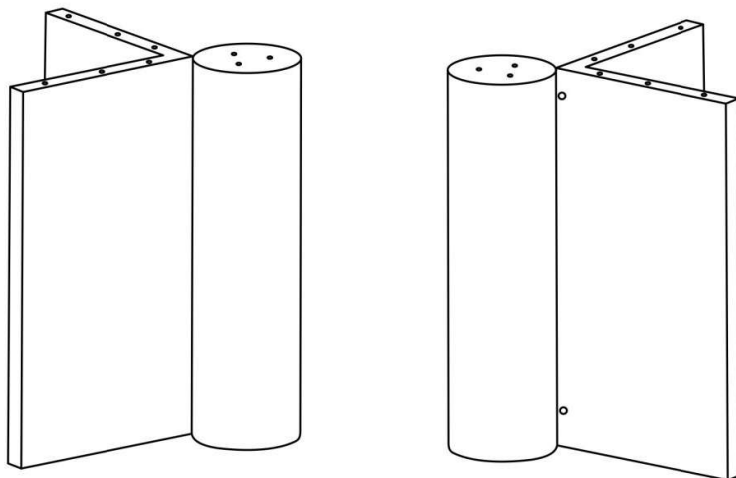
A X 04

2

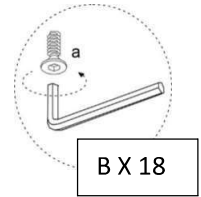
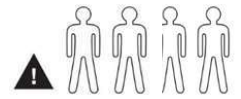
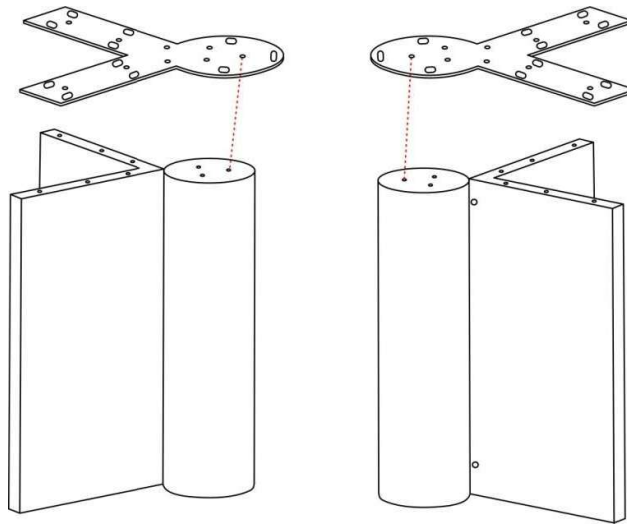


3

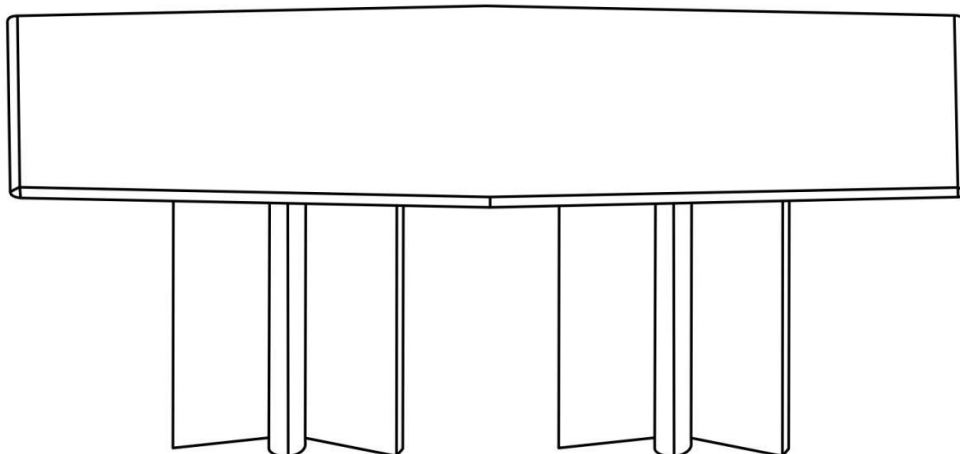
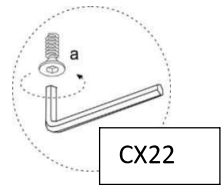
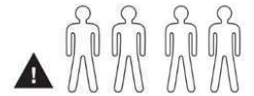
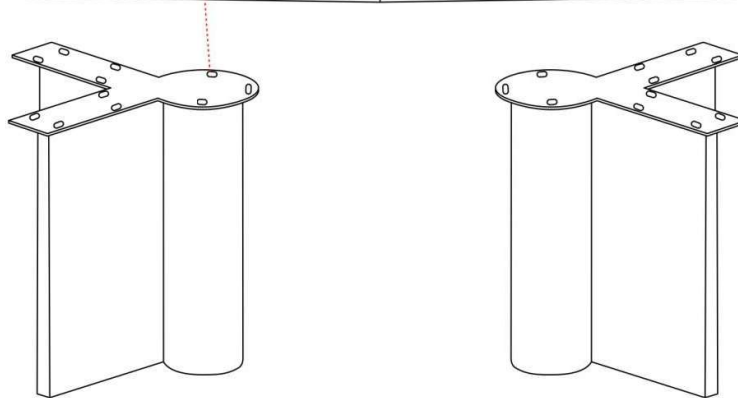
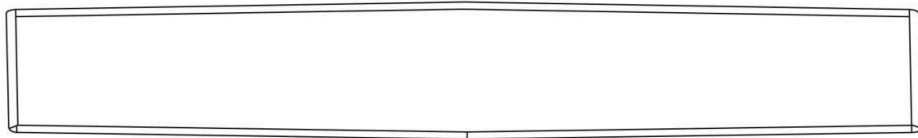
Place the marble solid pillar aligned with the screwed marble legs as shown in the picture



4



5



Cleaning and Care Instructions

- Clean Surface with a dry or damp soft cloth.
- Do not use abrasive cleaners.
- Do not use furniture wax or polish.
- It is recommended to use coaters to protect surface from heat and water.
- Do not leave spills unattended.
- Periodically check and tighten hardware as necessary.
- Metal may oxidize with exposure to moisture.
- Protect from heat and liquids.
- Do not use oils or liquids with artificial colour.
- Please protect the surface when using markers.