







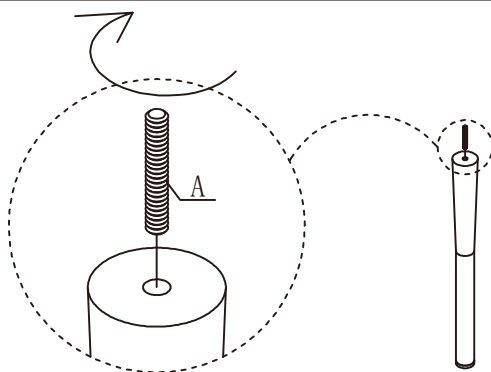


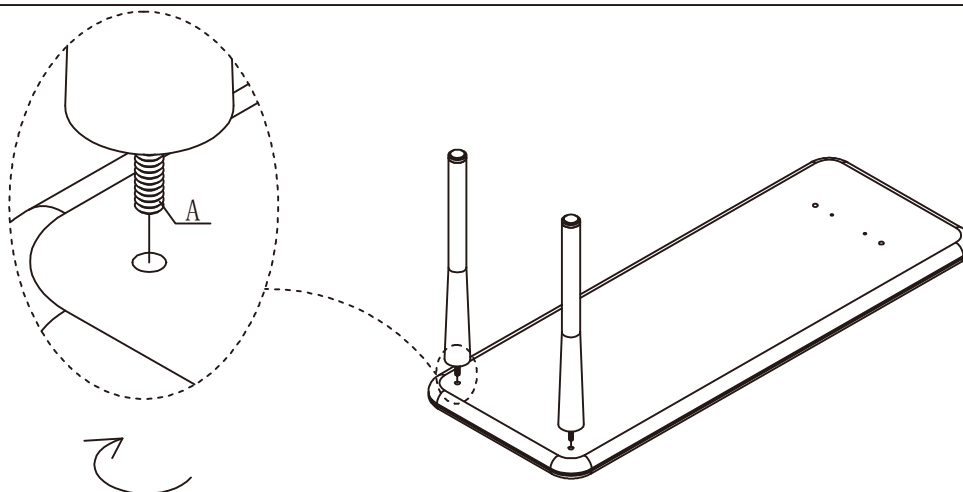
SETTING FITTINGS

FITTINGS	SPEC.	AMOUNT	FITTINGS	SPEC.	AMOUNT
A	 M8x70	2pcs	B	 ϕ 8x30	4pcs
C	 M8x130	2pcs	D	 20x 10x2	2pcs
E	 5mm	1pcs	F	 M8x18	2pcs
G	 90x19.5x11	3pcs	H	 M4x25	6pcs

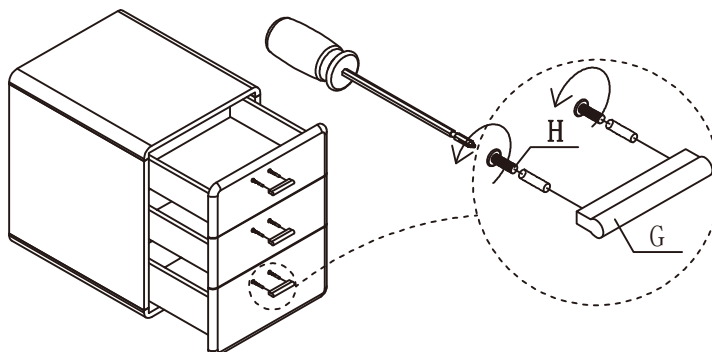
1



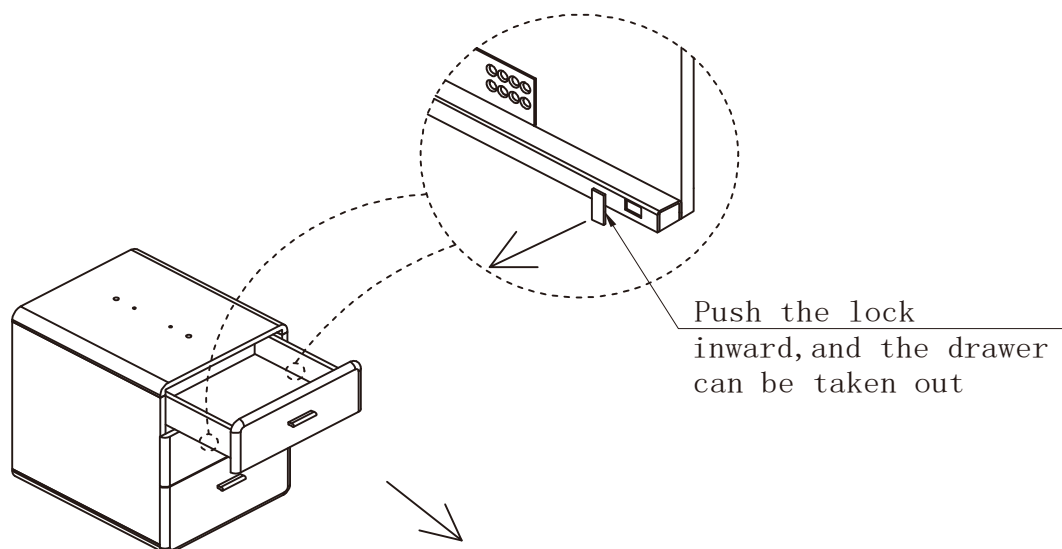
2



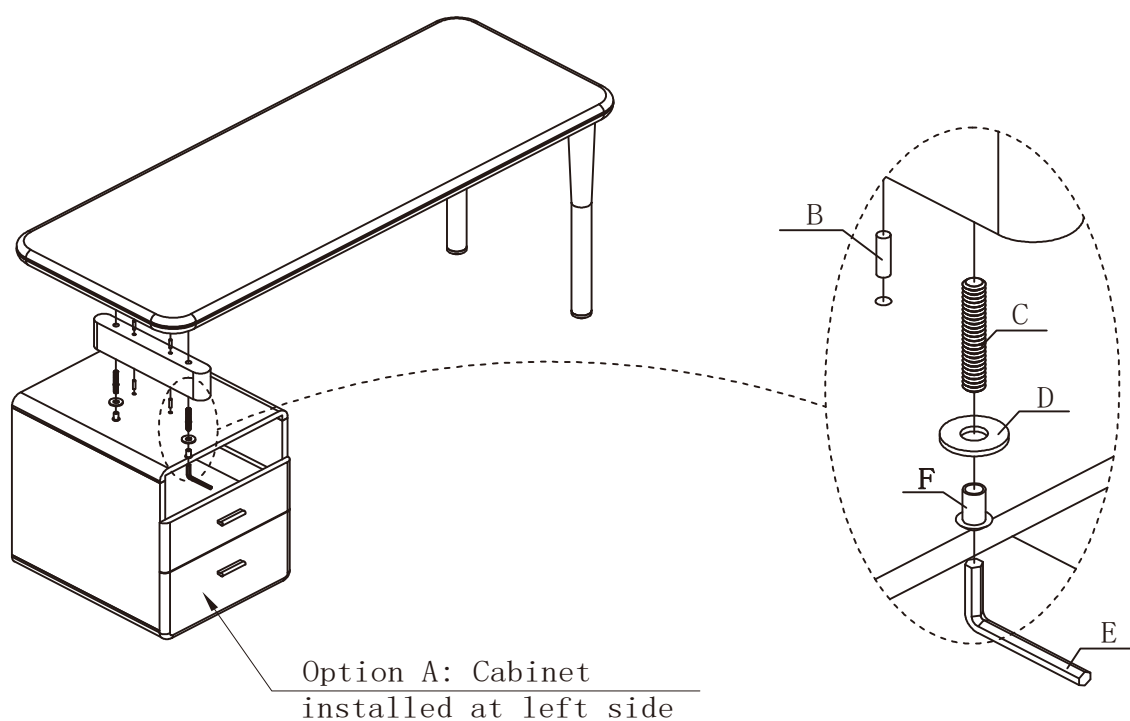
3



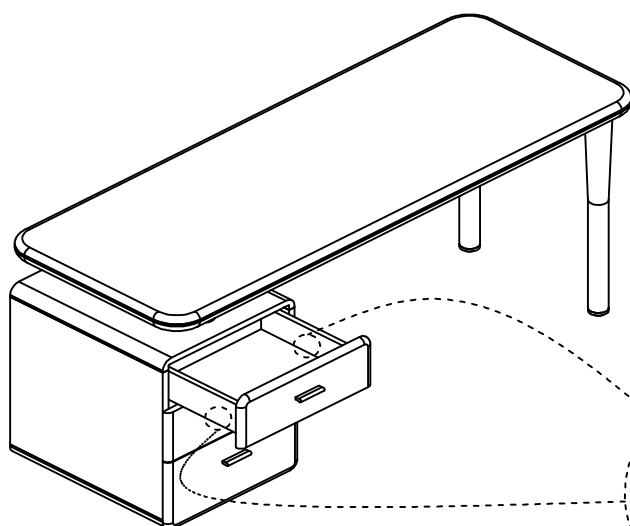
4



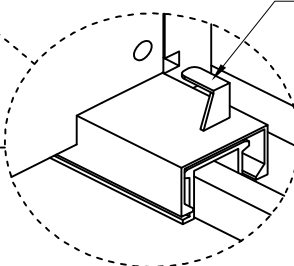
5



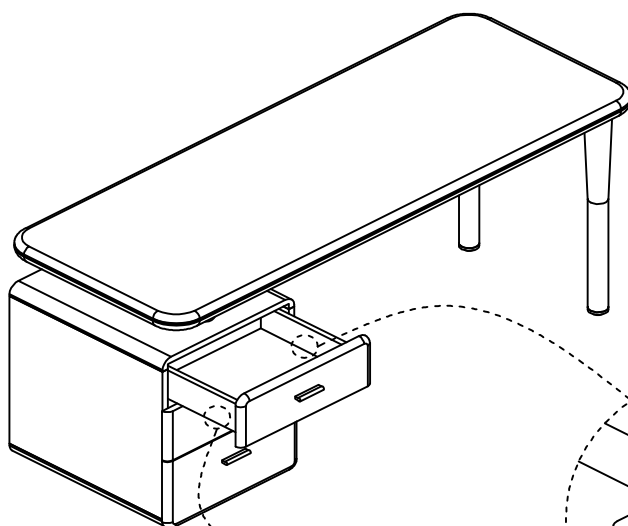
6



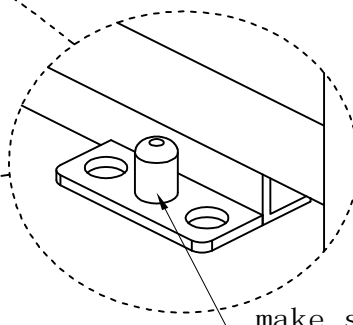
Make sure the hook
fixed to the hole on
drawer back panel



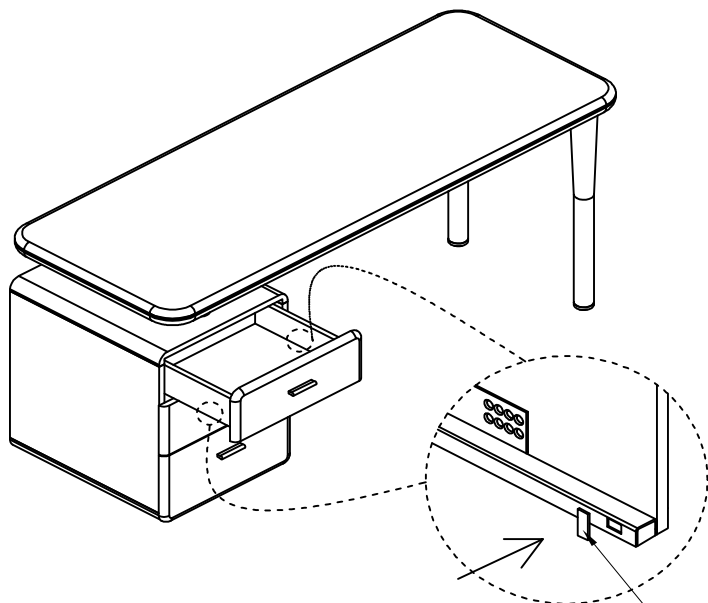
7



make sure the latch put
into the hole on drawer
side panel



8



when assembled the drawer back,
align the rail bolt hole and
clip it in

9

