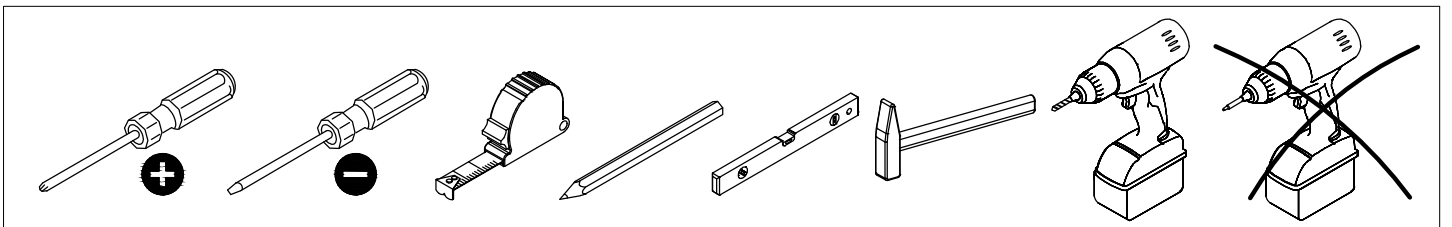
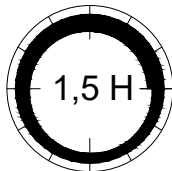
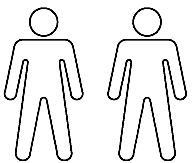
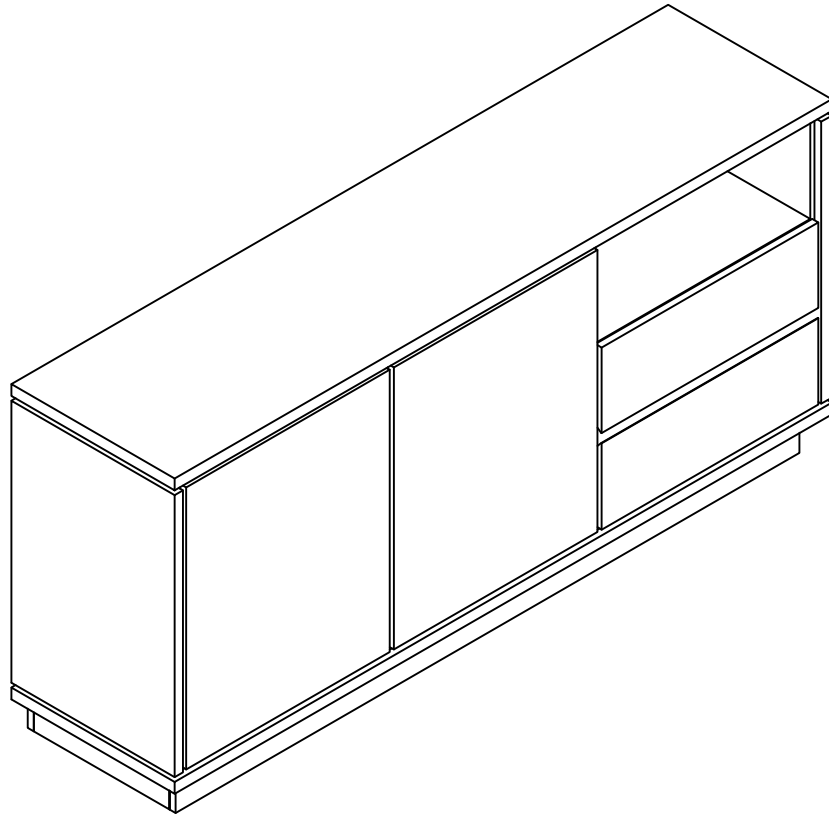
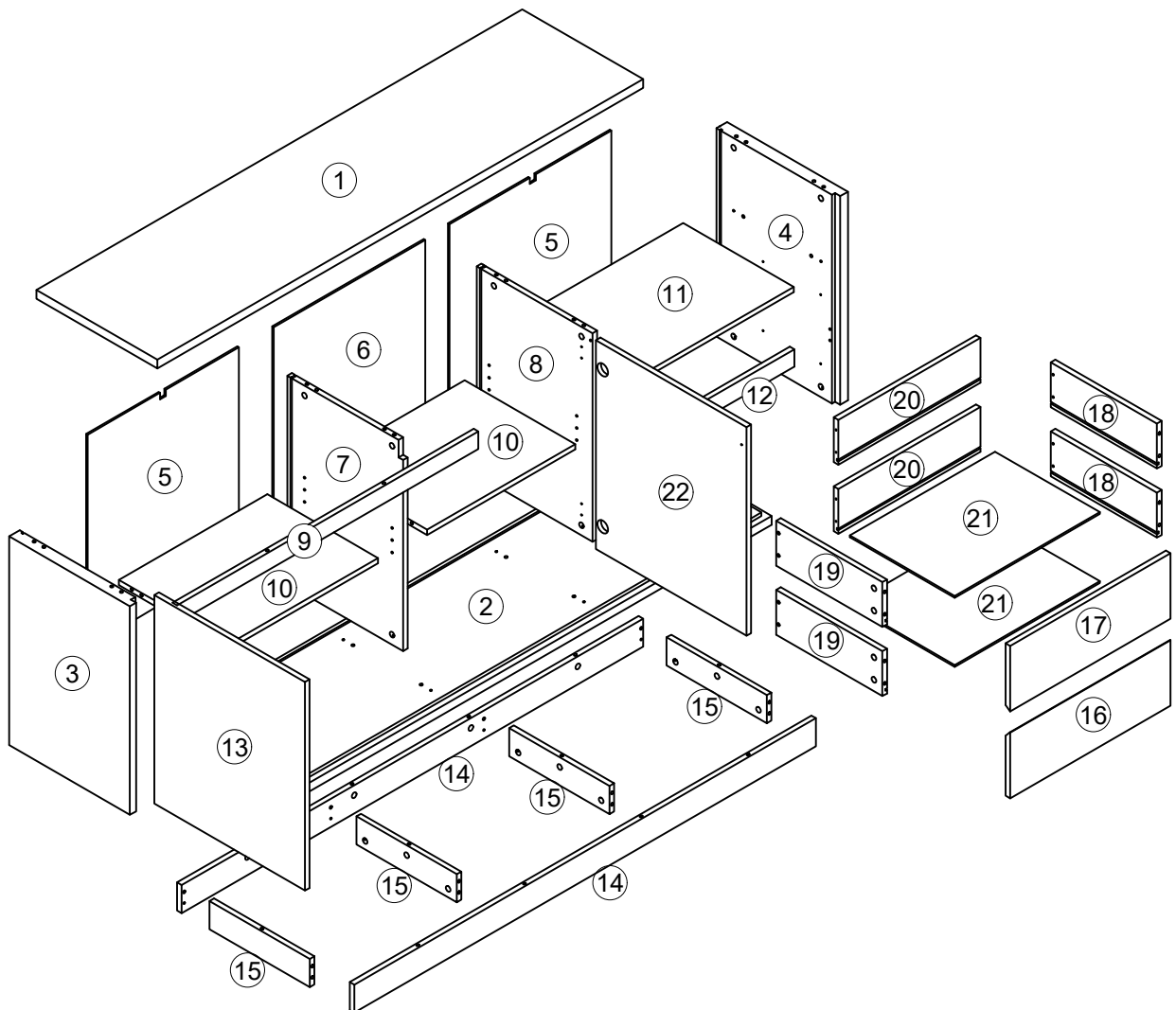



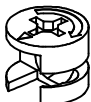
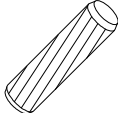
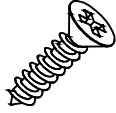
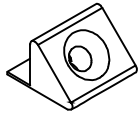
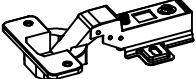

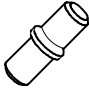
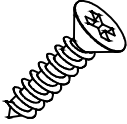

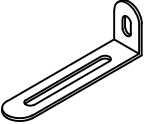
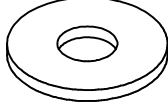
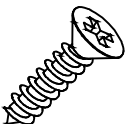

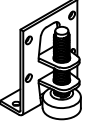
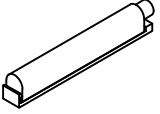
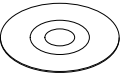
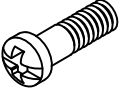
TRIBECA



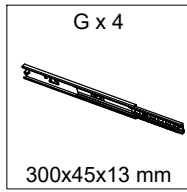
			✓
①	1	1597x396x40	
②	1	1597x396x35	
③	1	595x394x35	
④	1	595x394x35	
⑤	2	605x507x5	
⑥	1	605x507x5	
⑦	1	595x374x15	
⑧	1	595x377x15	
⑨	1	1011x50x15	
⑩	2	497x354x15	
⑪	1	498x356x15	

			✓
⑫	1	498x60x15	
⑬	1	595x505x15	
⑭	2	1520x80x15	
⑮	4	330x80x15	
⑯	1	505x190x15	
⑰	1	505x190x15	
⑱	2	350x128x15	
⑲	2	350x128x15	
⑳	2	443x128x15	
㉑	2	453x345x5	
㉒	1	595x505x15	

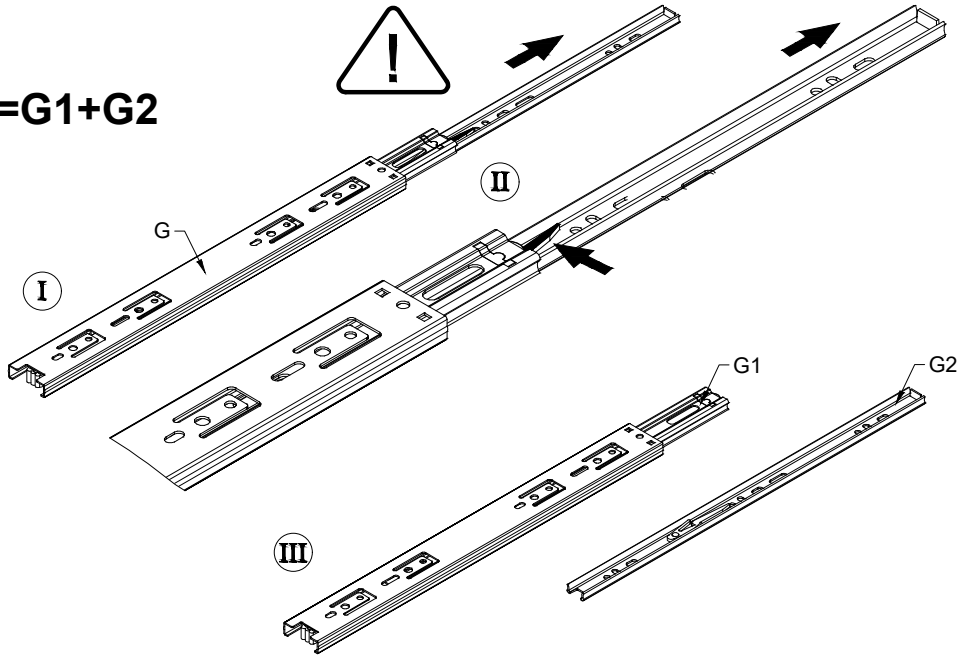


<p>A x 57</p>  <p>M6x29 mm</p>	<p>B x 57</p>  <p>Ø15x12 mm</p>	<p>C x 28</p>  <p>Ø8x30 mm</p>	<p>D x 12</p>  <p>Ø3x16 mm</p>	<p>E x 12</p>  <p>13x13x10 mm</p>
<p>F x 4</p>  <p>Ø35,FK9</p>	<p>G x 4</p>  <p>300x45x13 mm</p>	<p>H x 8</p>  <p>Ø5x16 mm</p>	<p>J x 36</p>  <p>Ø3.5x15 mm</p>	<p>K x 16</p>  <p>Ø20 mm</p>
<p>L x 2</p>  <p>65x32x15 mm</p>	<p>M x 4</p>  <p>Ø4/Ø12 mm</p>	<p>N x 38</p>  <p>Ø3x12 mm</p>	<p>P x 8</p>  <p>Ø3.5x35 mm</p>	<p>Q x 6</p>  <p>40x37x55 mm</p>
<p>R x 2</p>  <p>80x15x20 mm</p>	<p>S x 2</p>  <p>Ø16x1 mm</p>	<p>T x 8</p>  <p>M6x14 mm</p>		

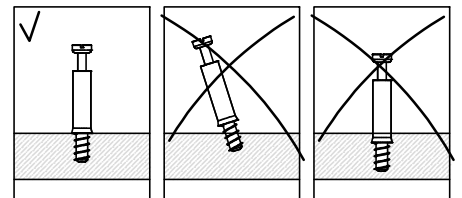
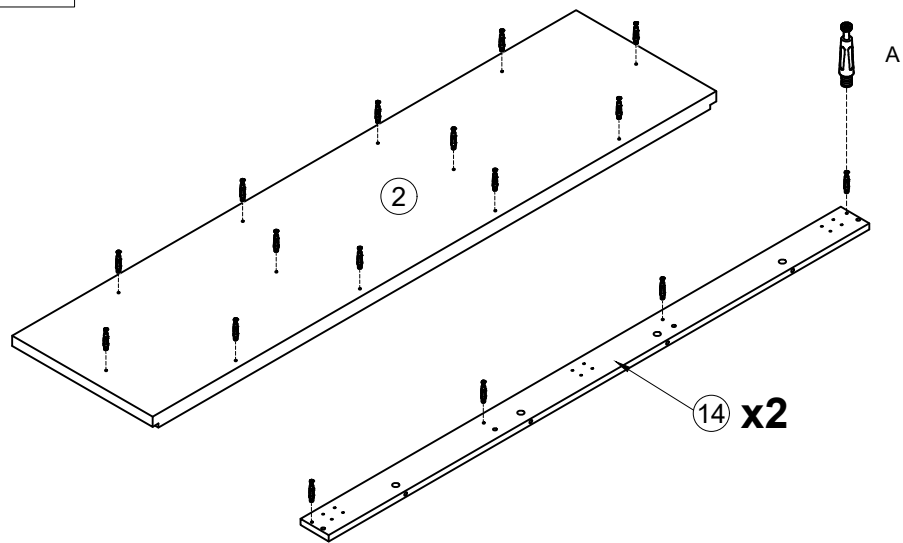
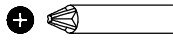
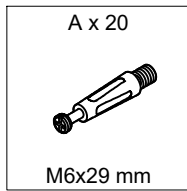
1



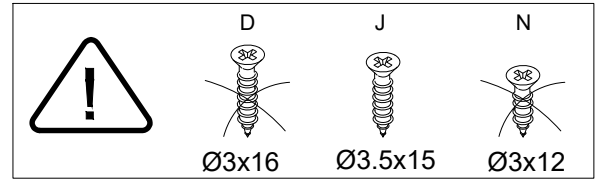
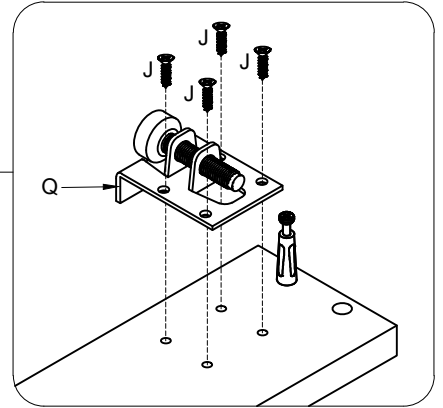
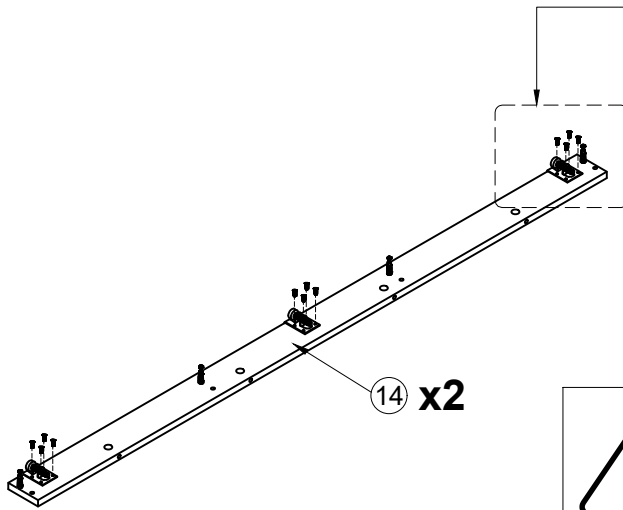
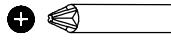
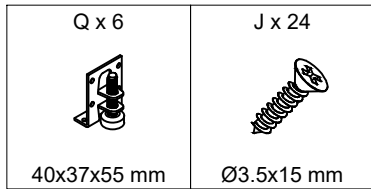
$$G = G1 + G2$$



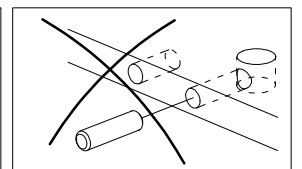
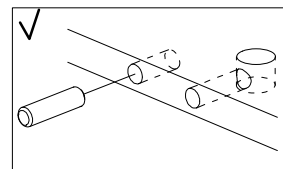
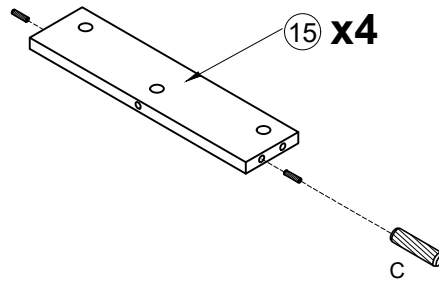
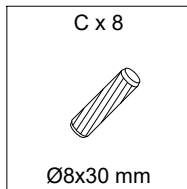
2



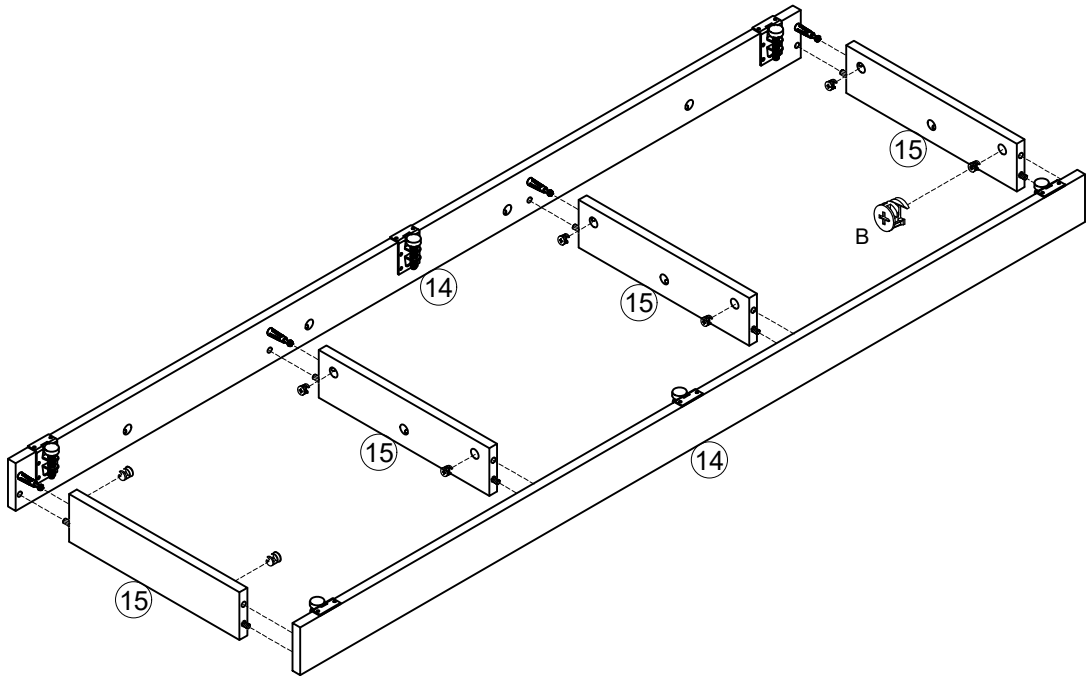
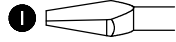
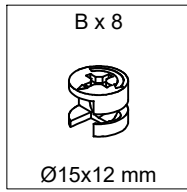
3



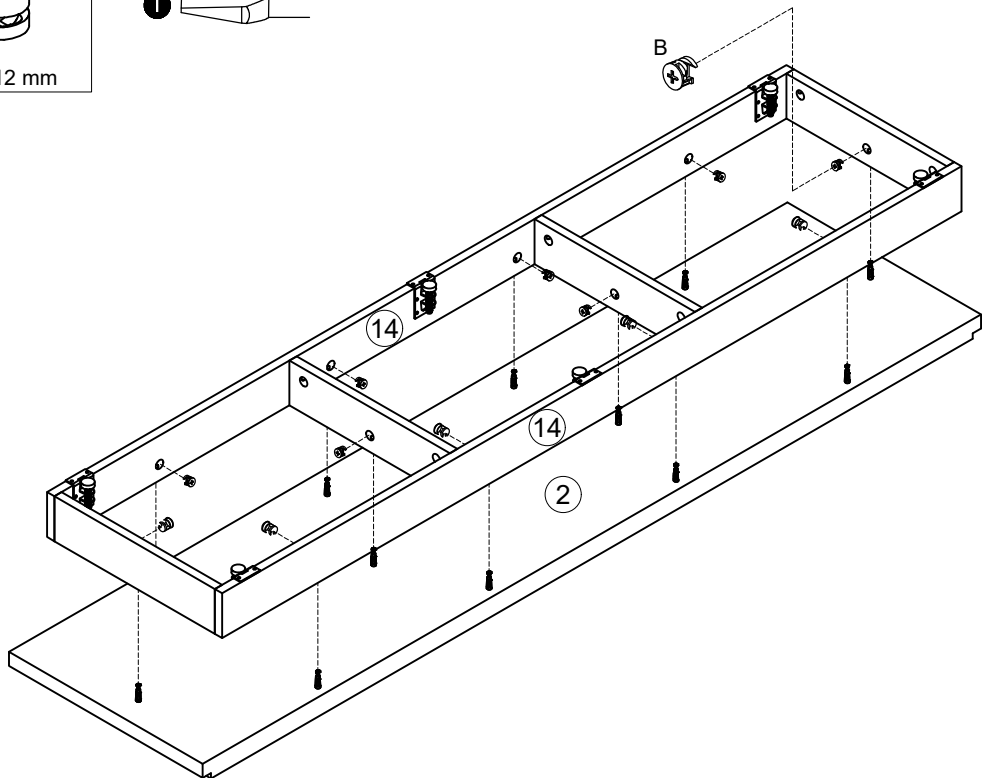
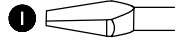
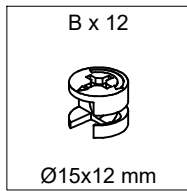
4



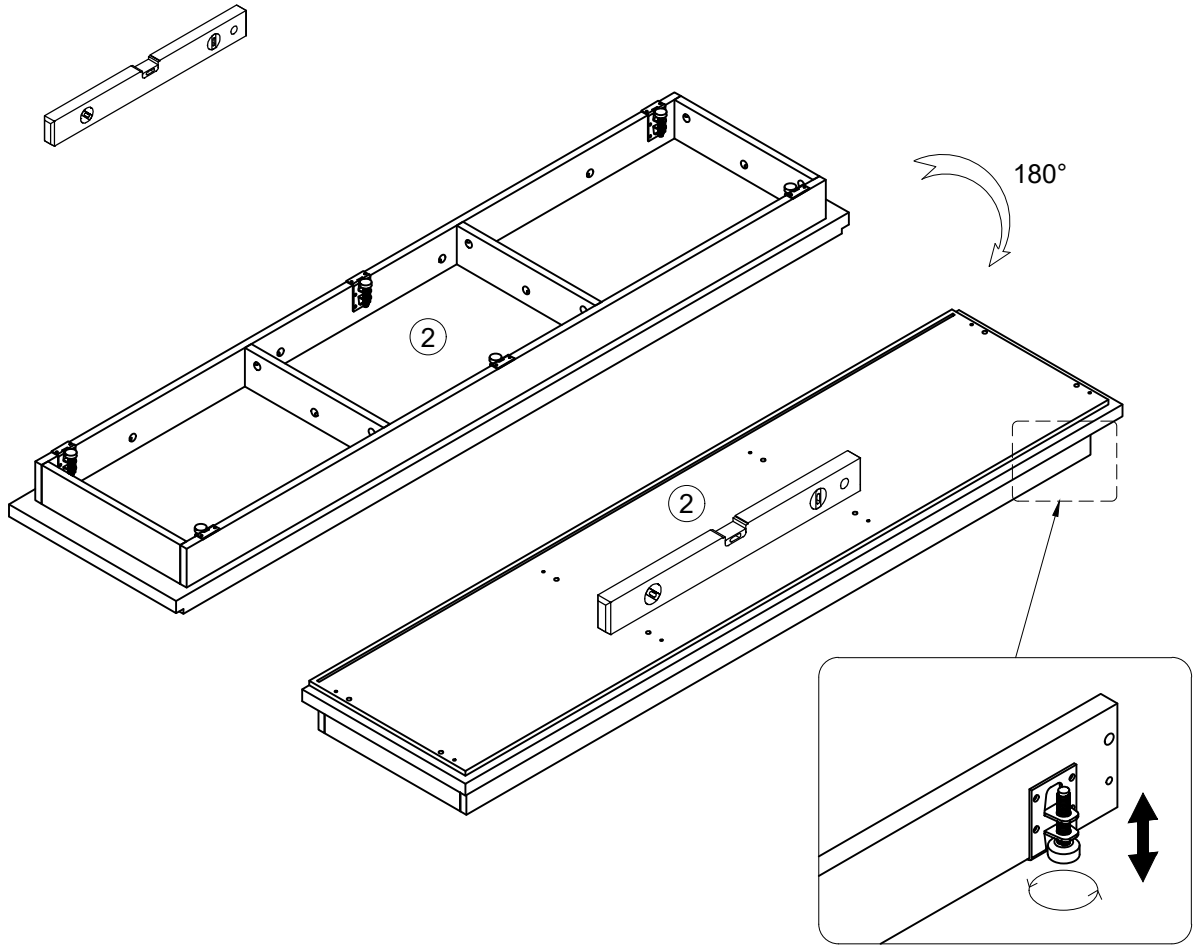
5



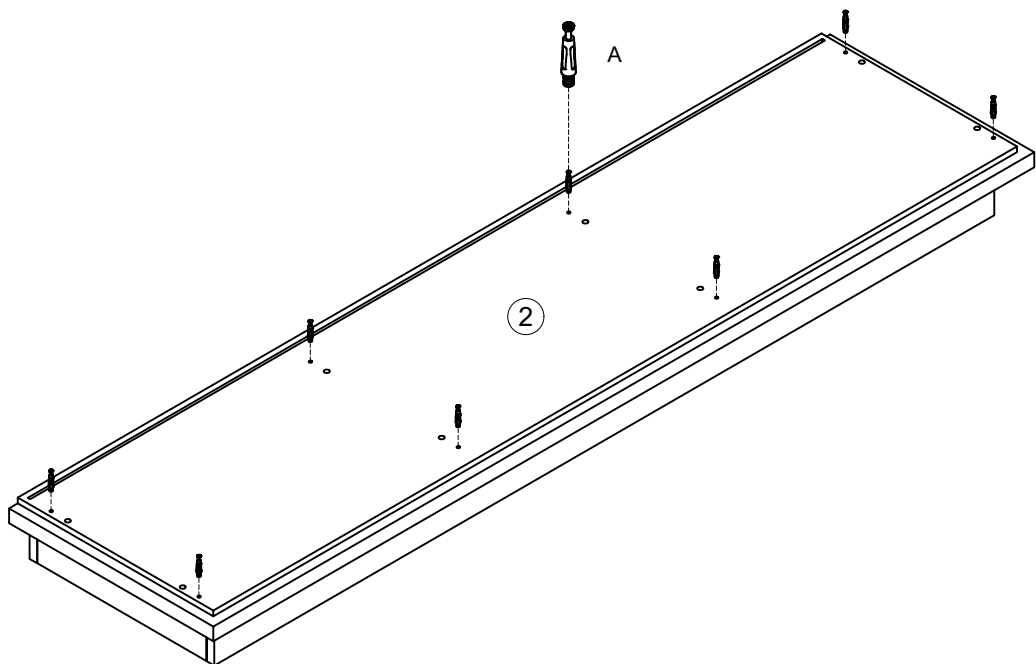
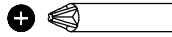
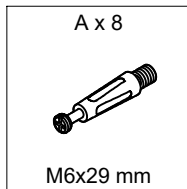
6



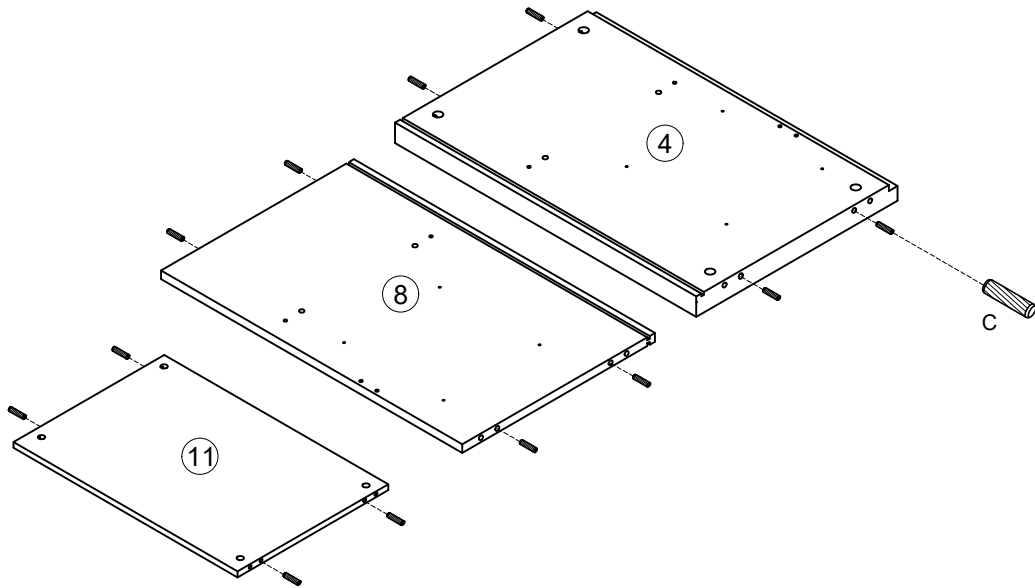
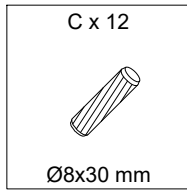
7



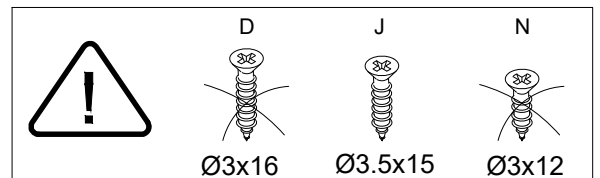
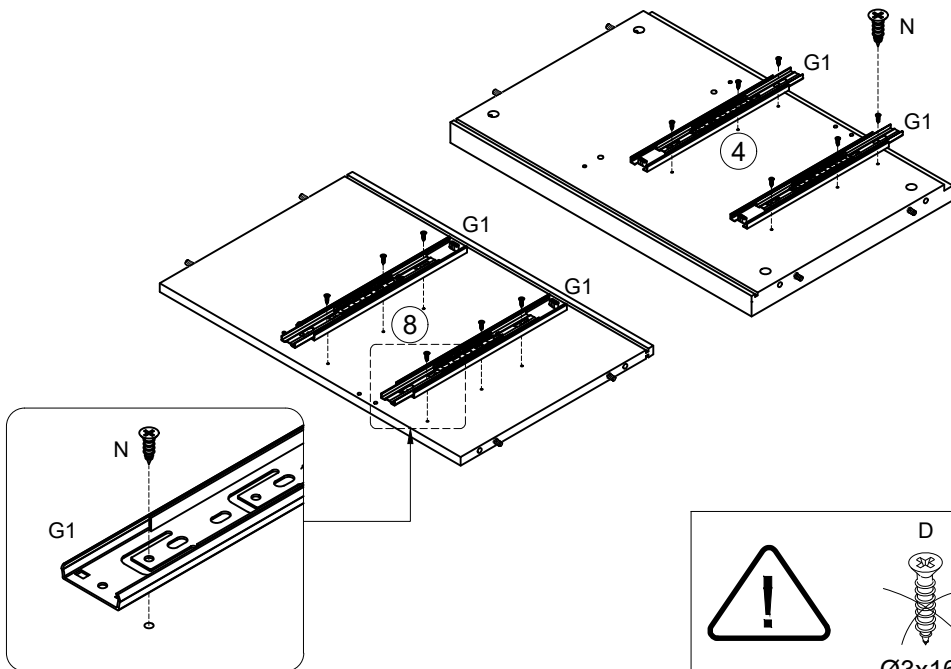
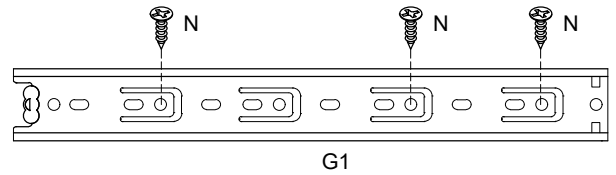
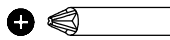
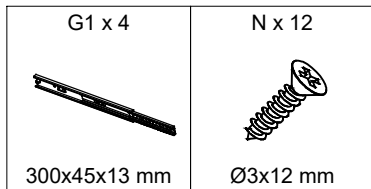
8



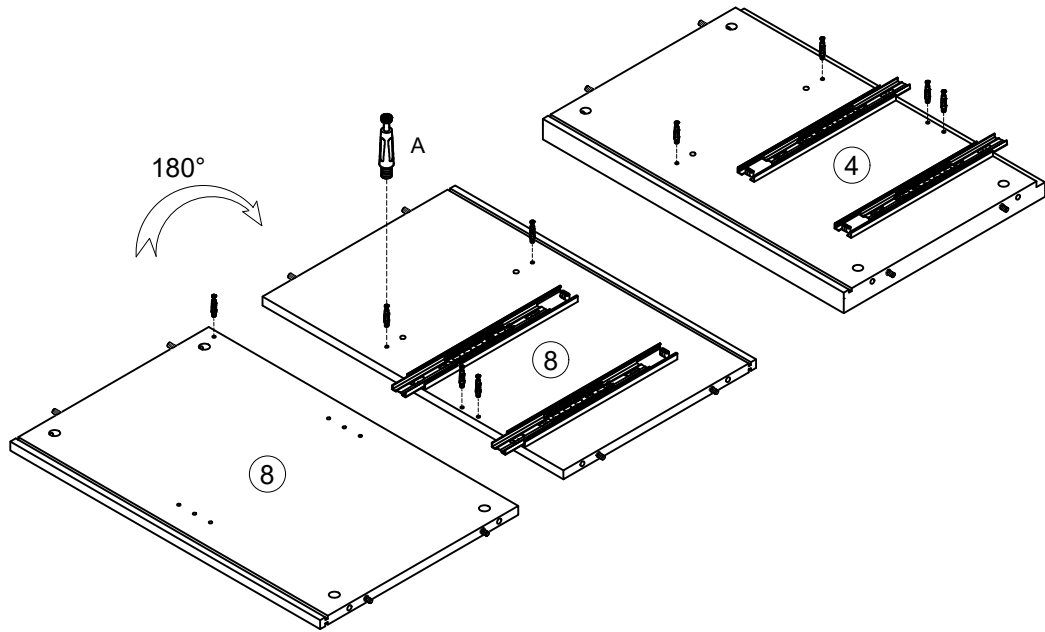
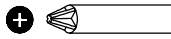
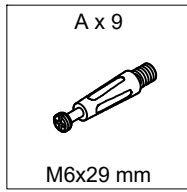
9



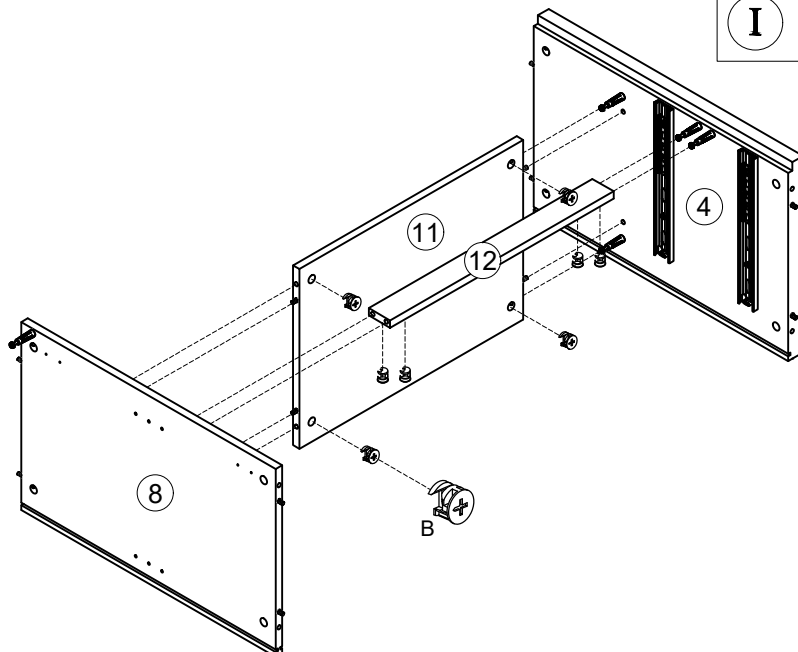
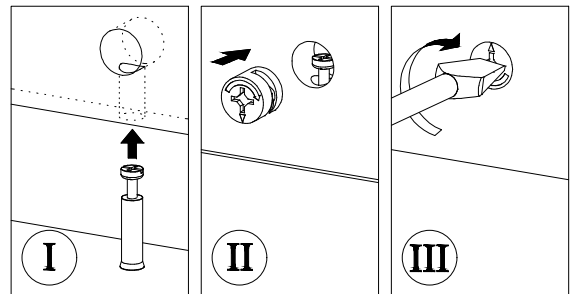
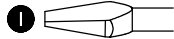
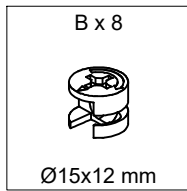
10



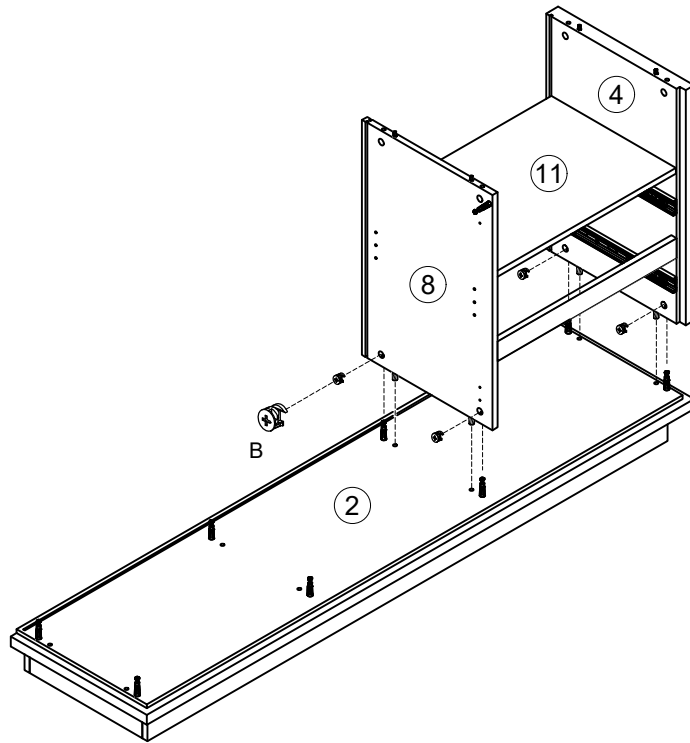
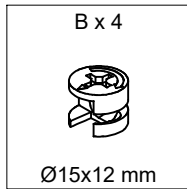
11



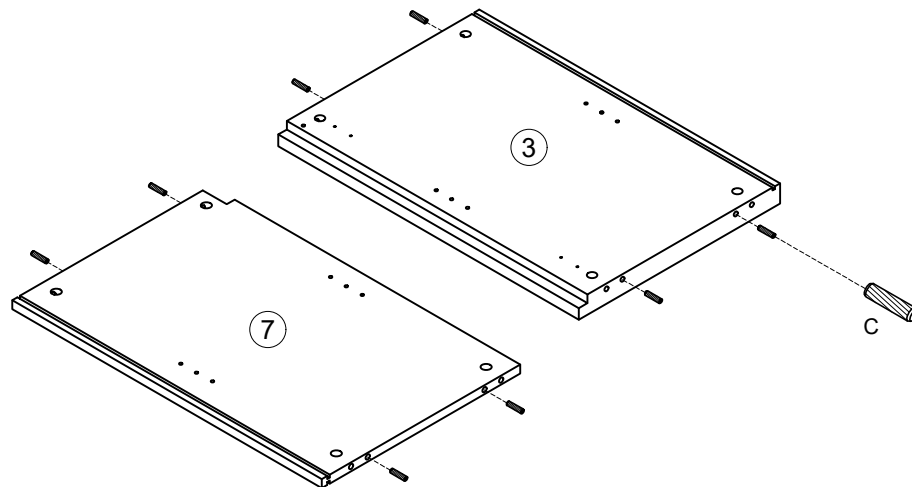
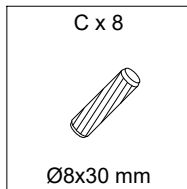
12



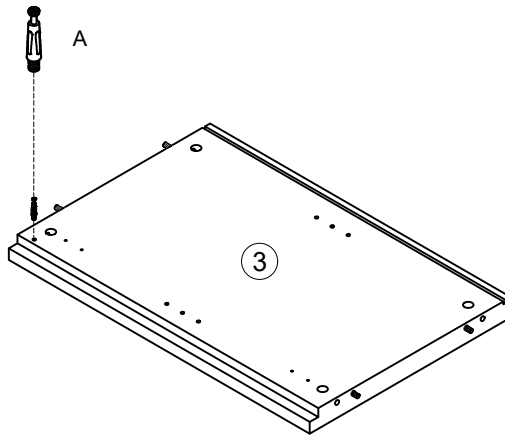
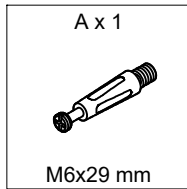
13



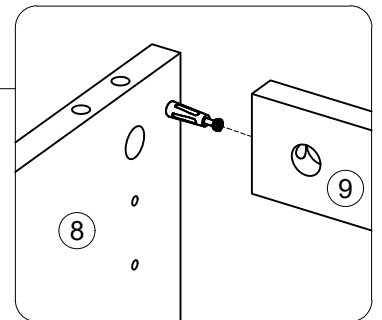
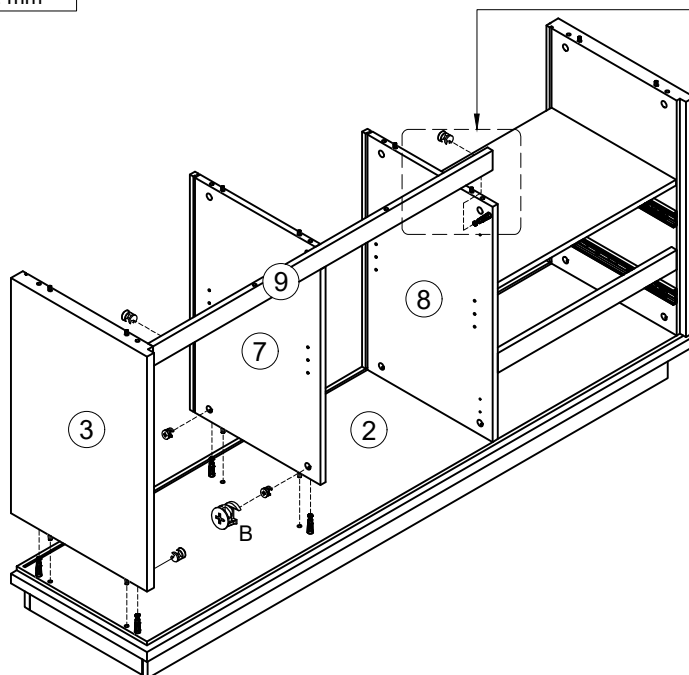
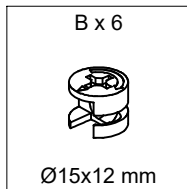
14



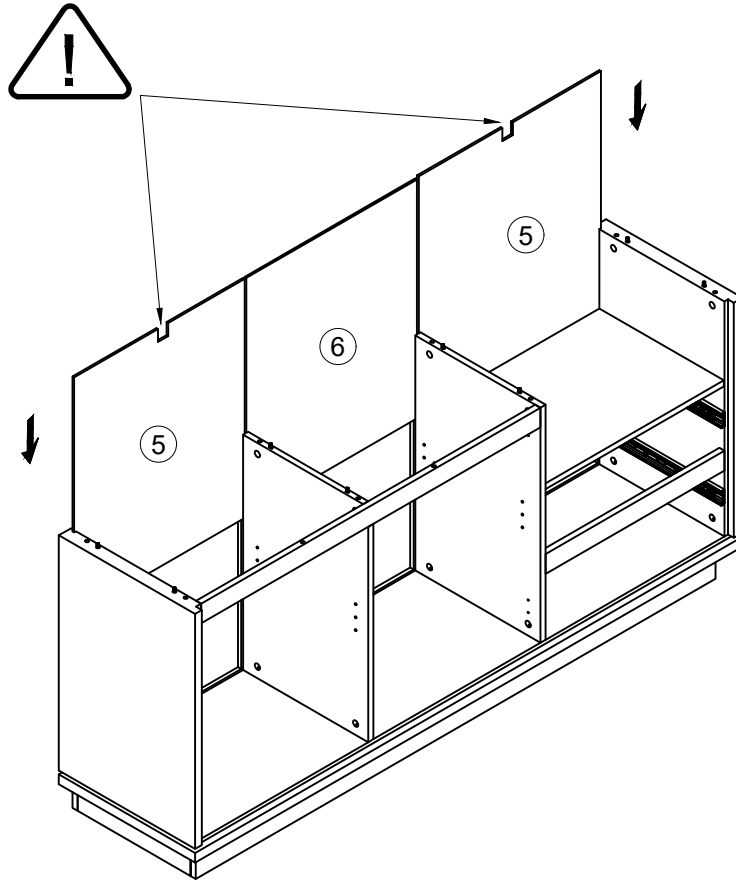
15



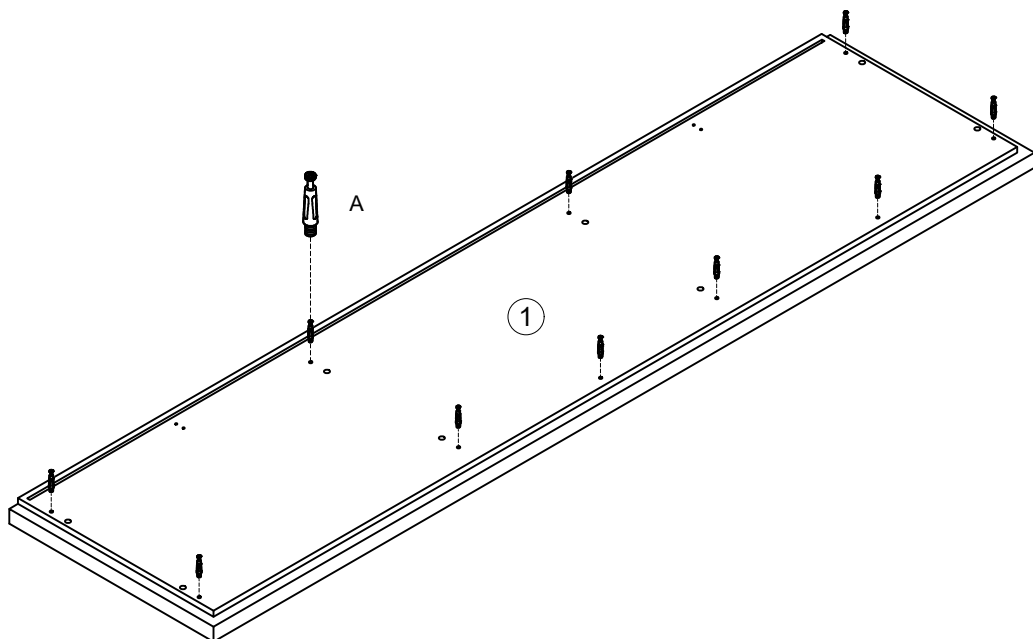
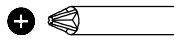
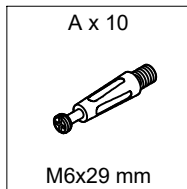
16






17

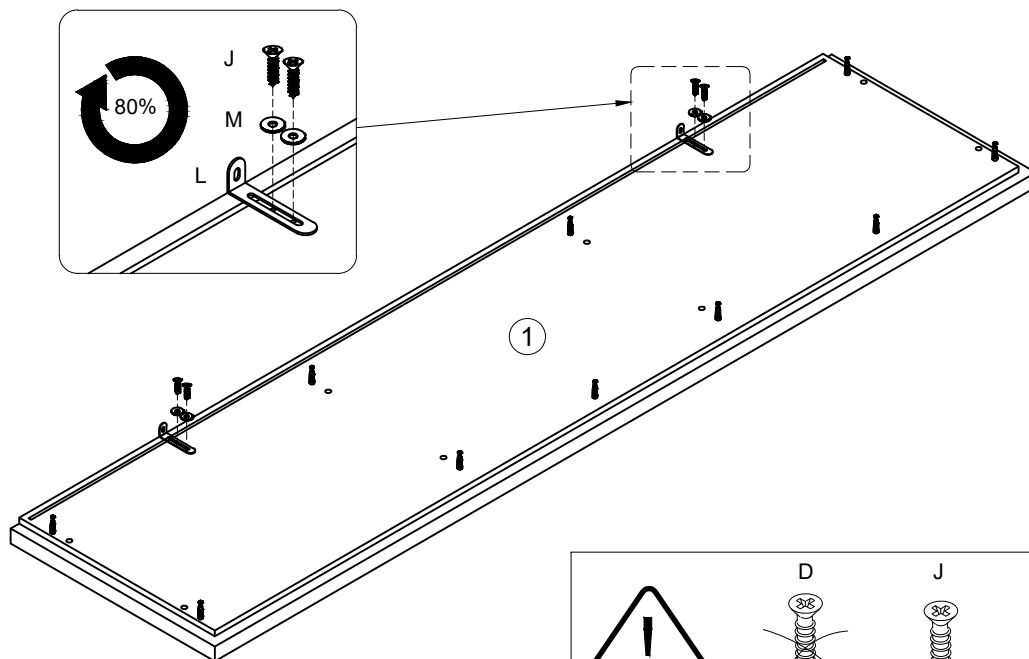
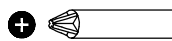



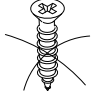


18




19

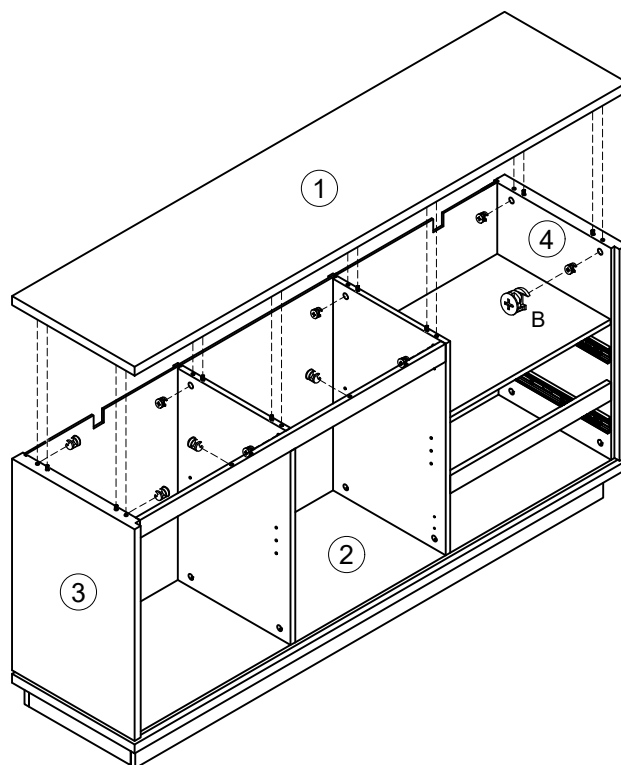
L x 2  65x32x15 mm	J x 4  Ø3.5x15 mm	M x 4  Ø4/Ø12 mm
---	--	---



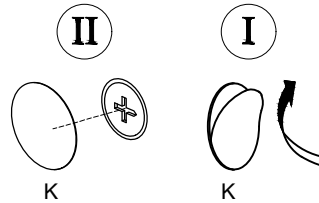
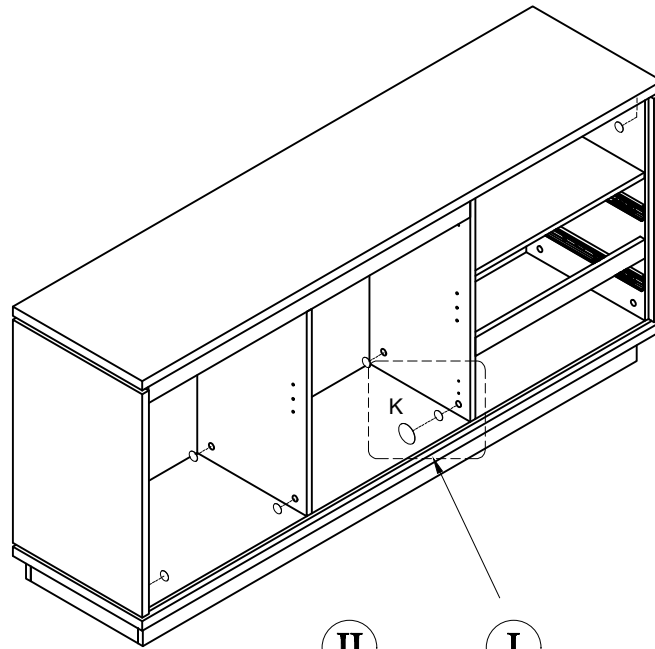
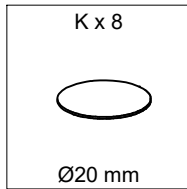
	D  Ø3x16	J  Ø3.5x15	N  Ø3x12
---	--	--	--

20

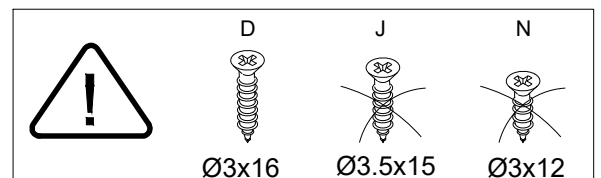
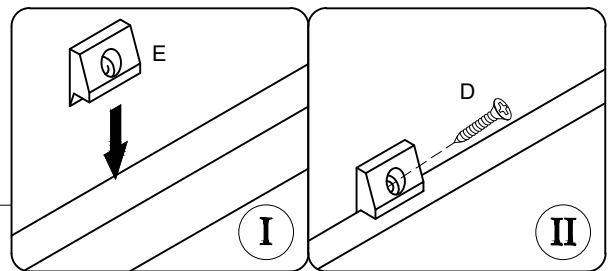
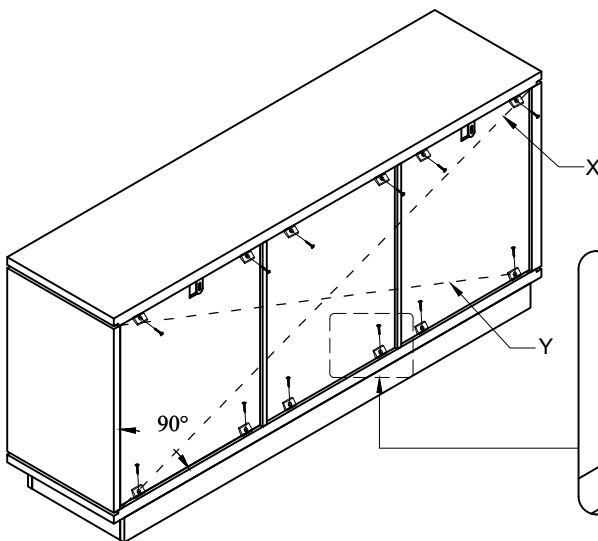
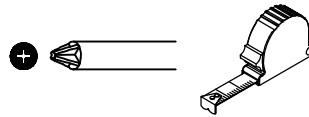
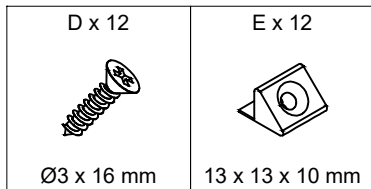
B x 10  Ø15x12 mm
--



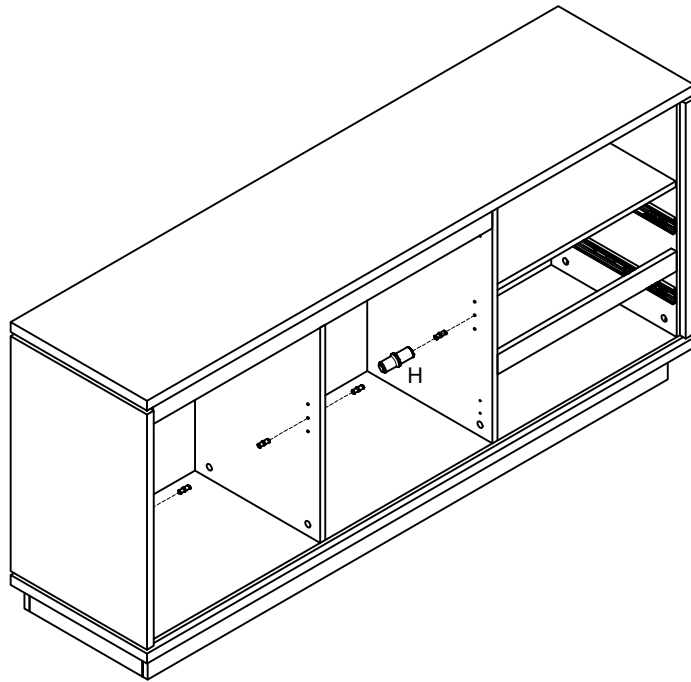
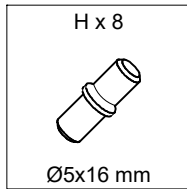
21



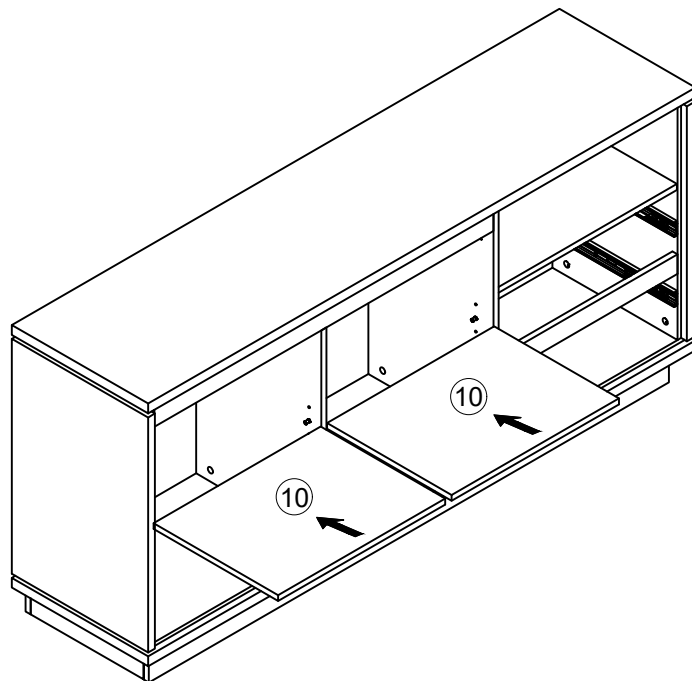
22



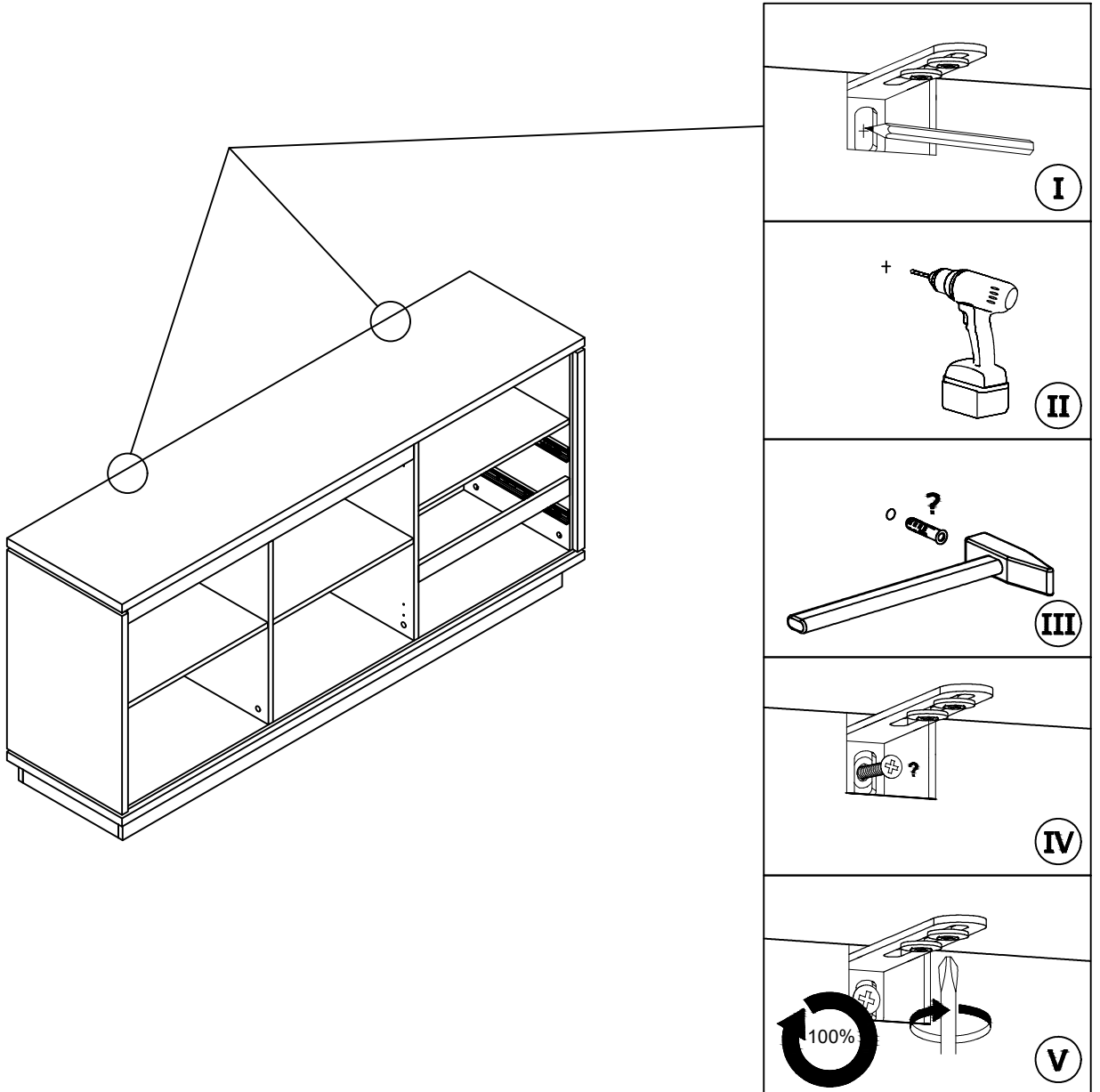
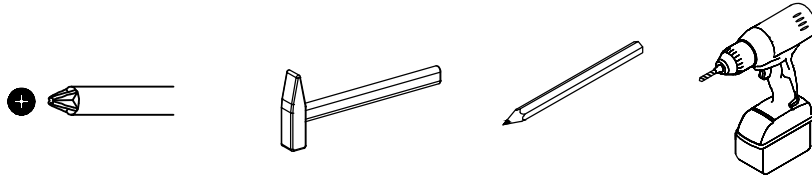
23



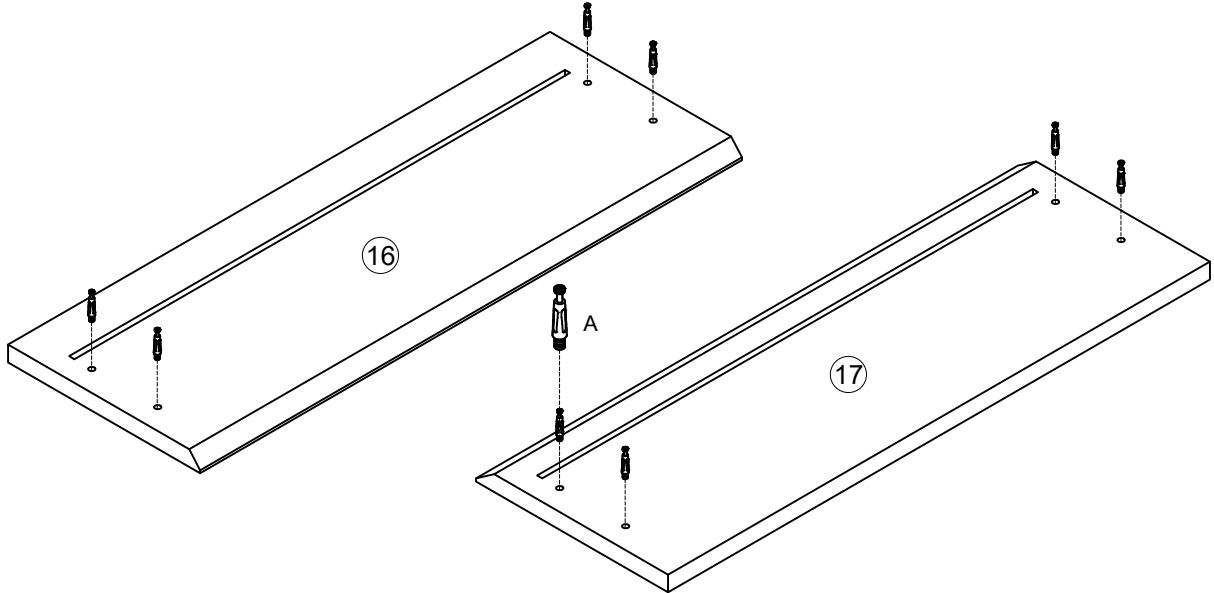
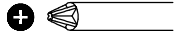
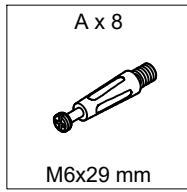
24



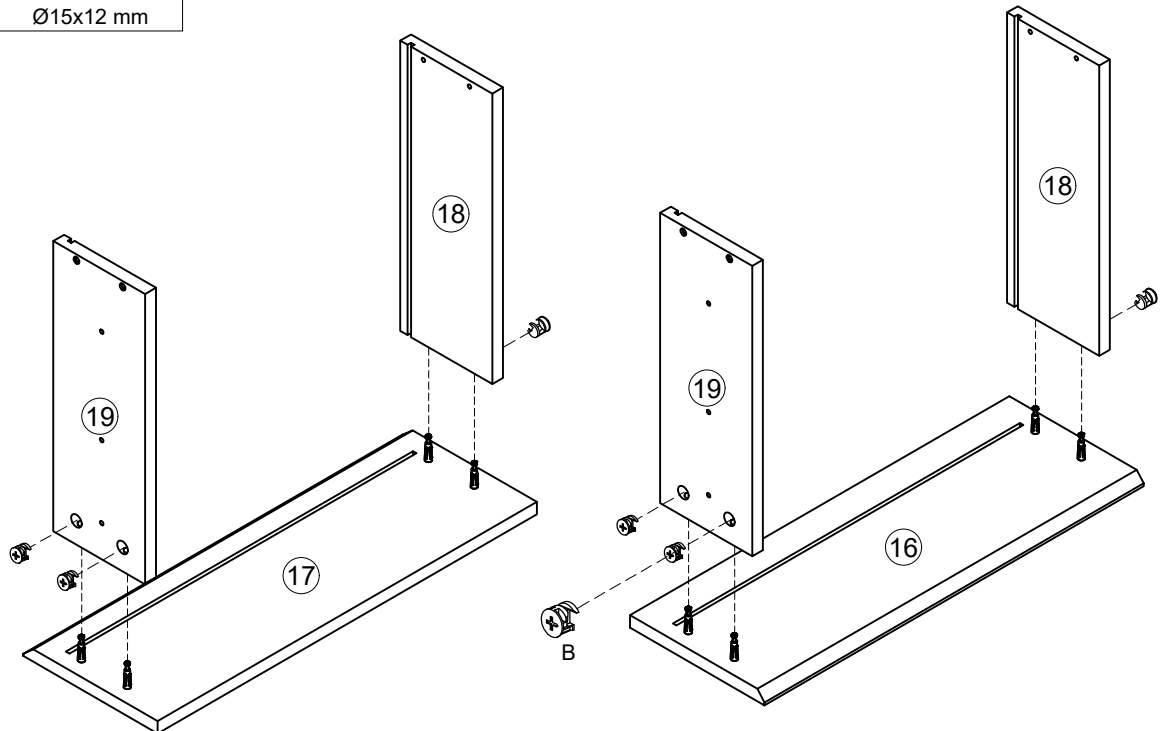
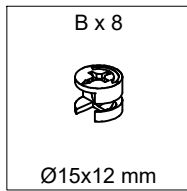
25



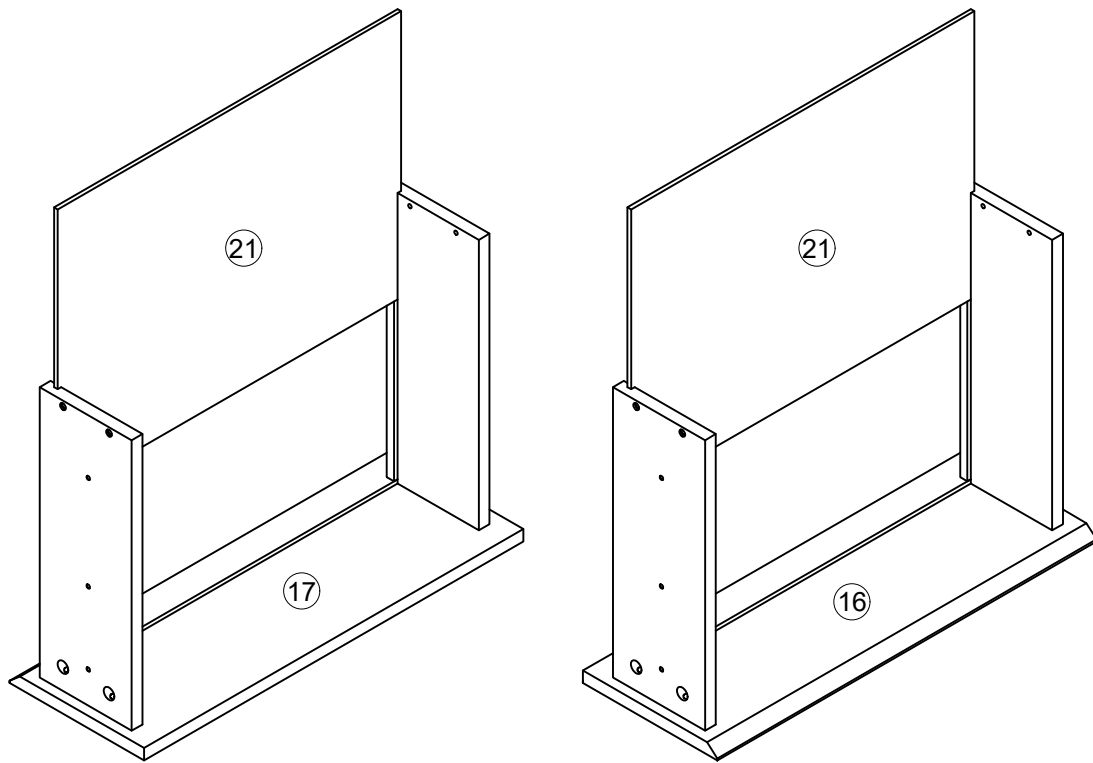
26



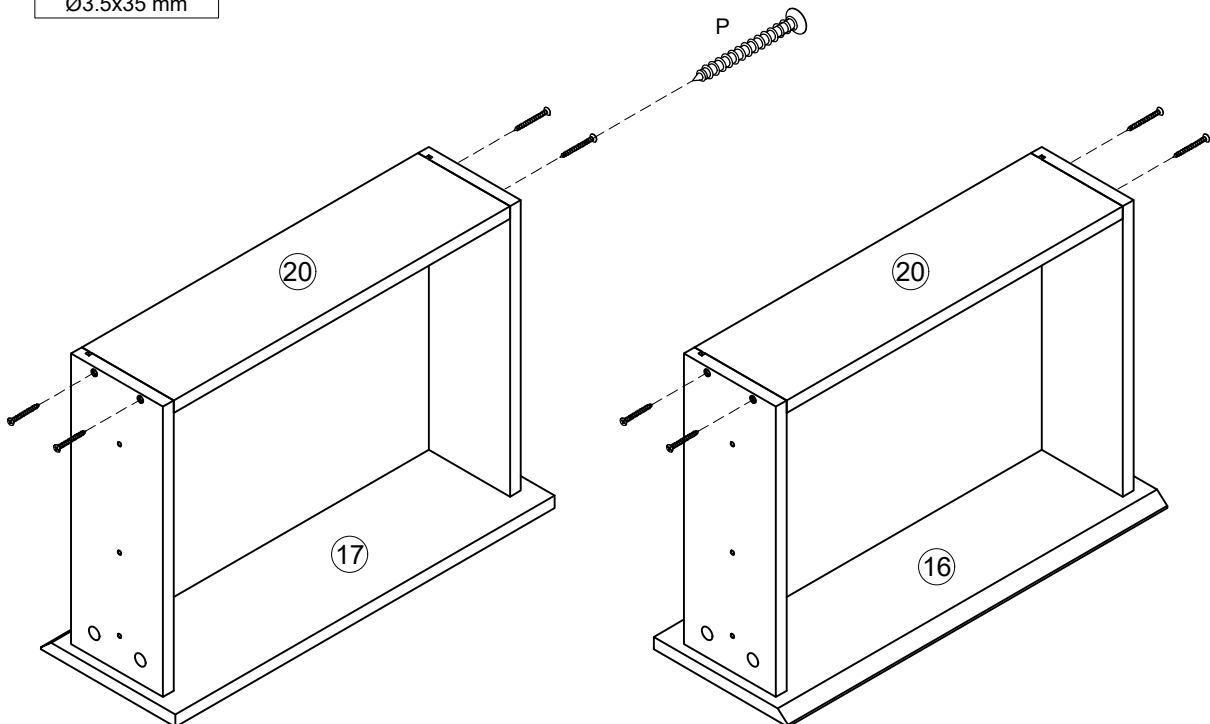
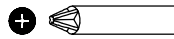
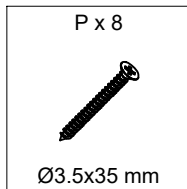
27



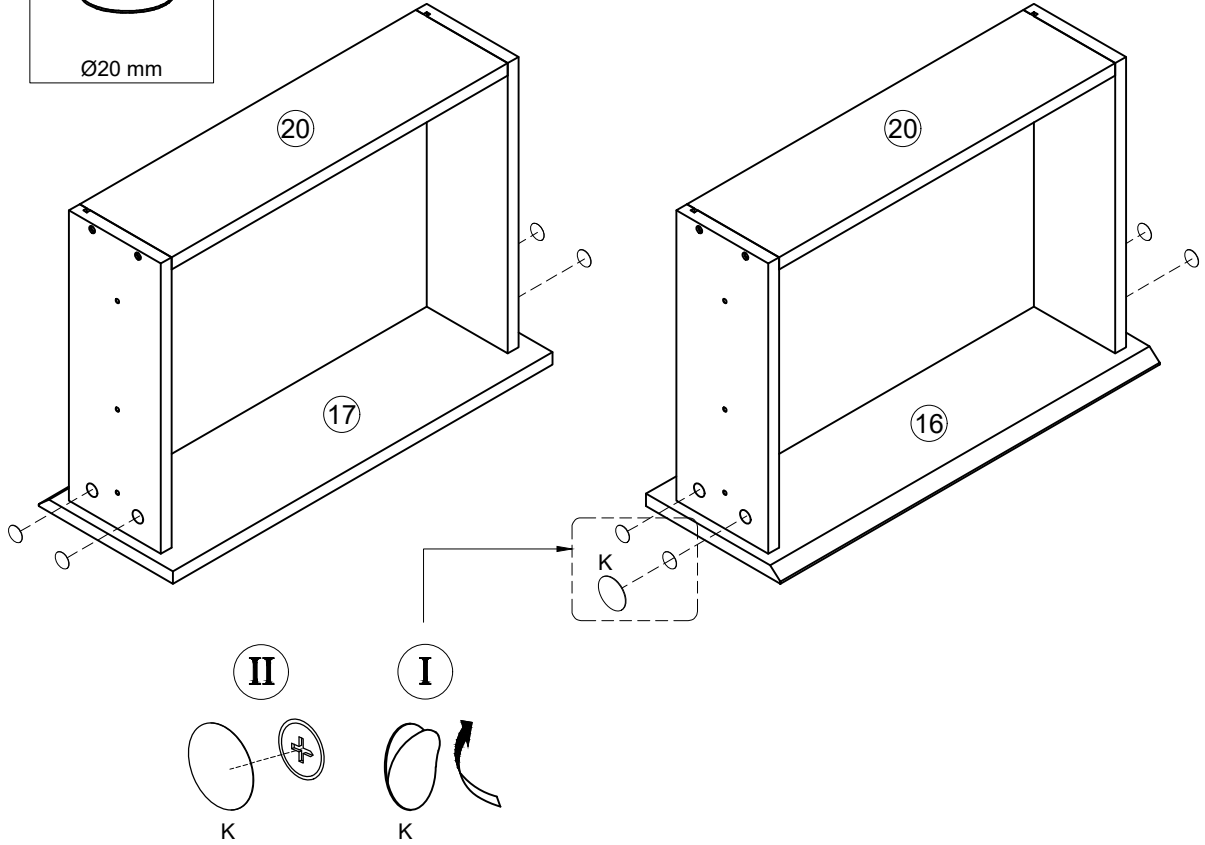
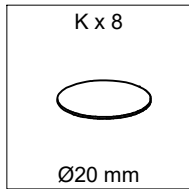
28



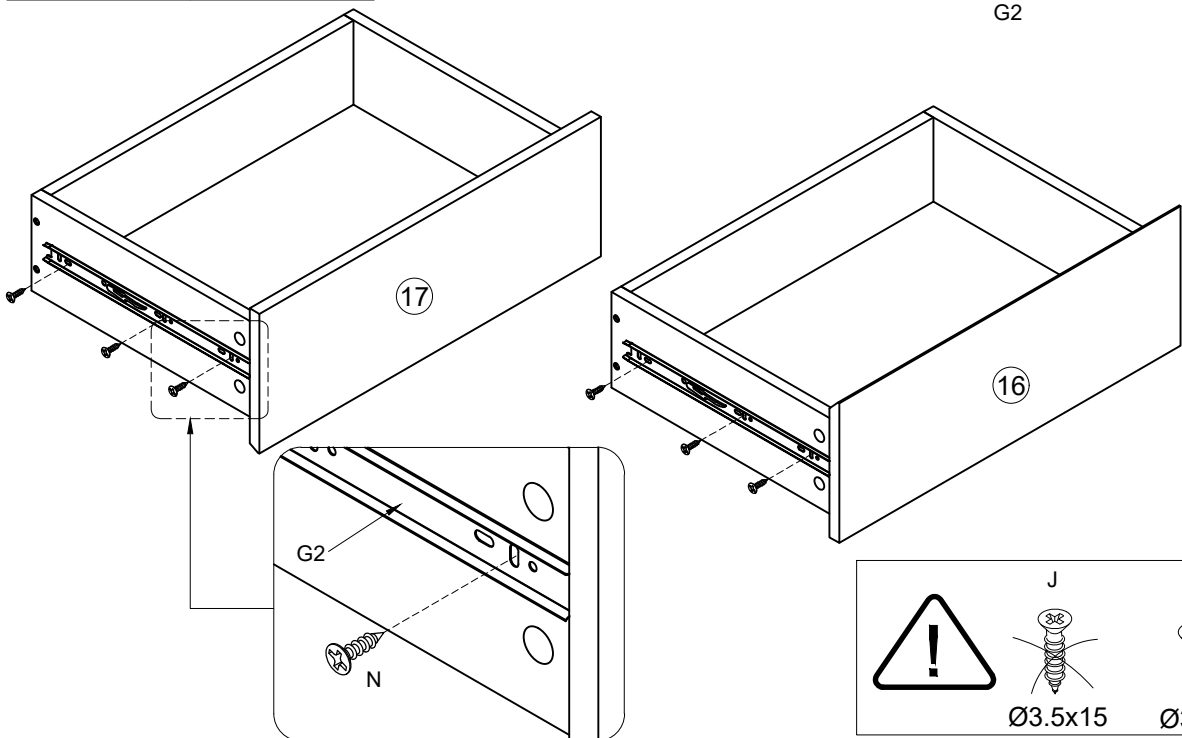
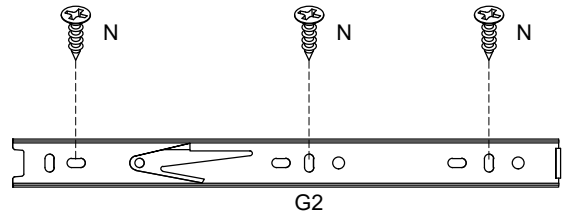
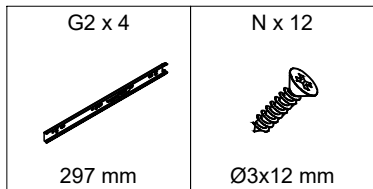
29



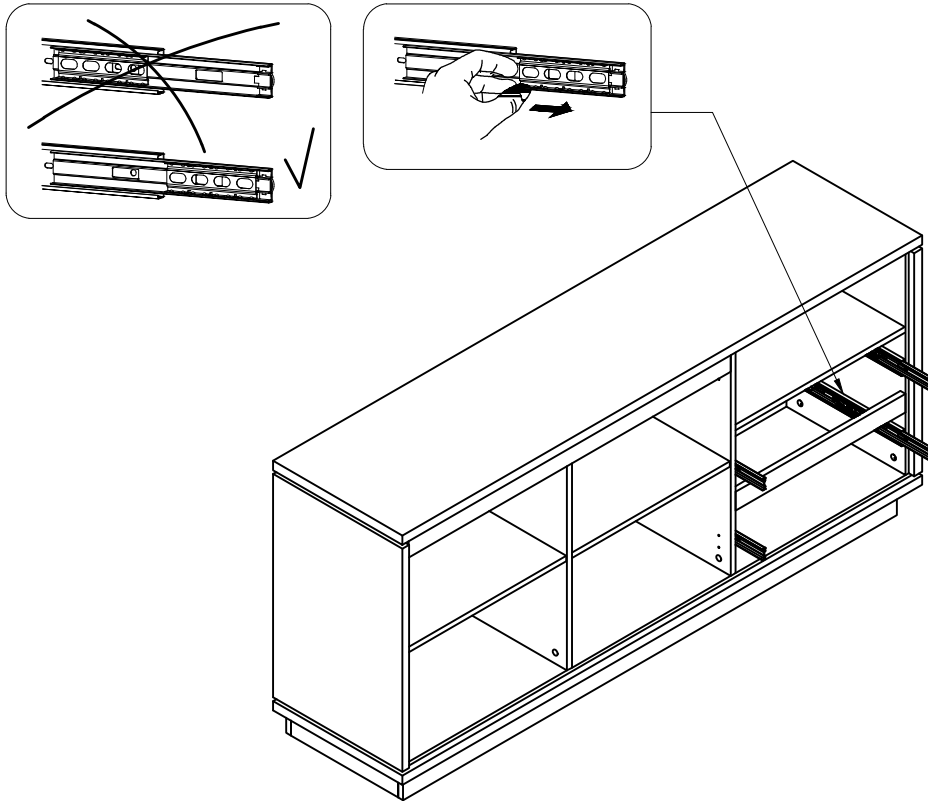
30



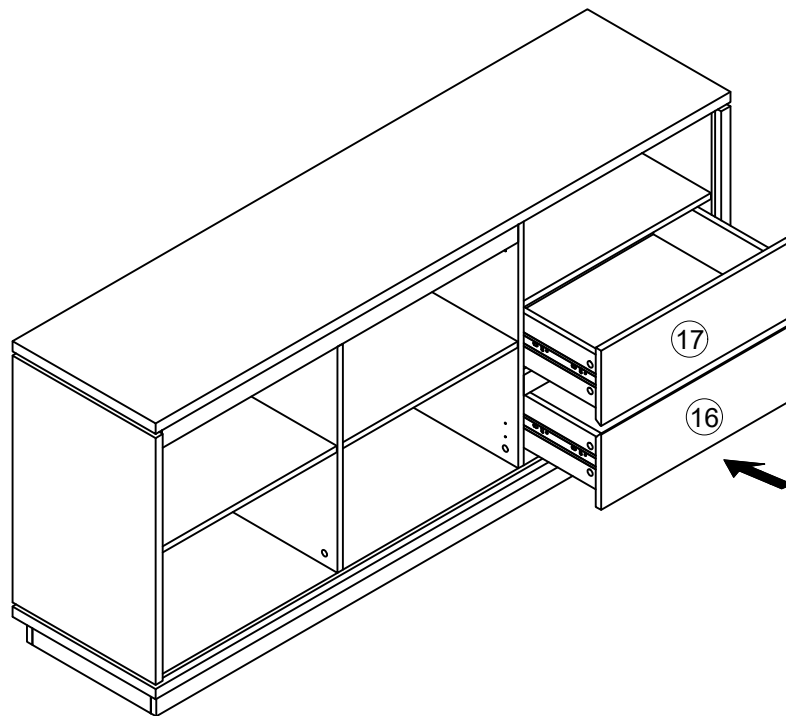
31



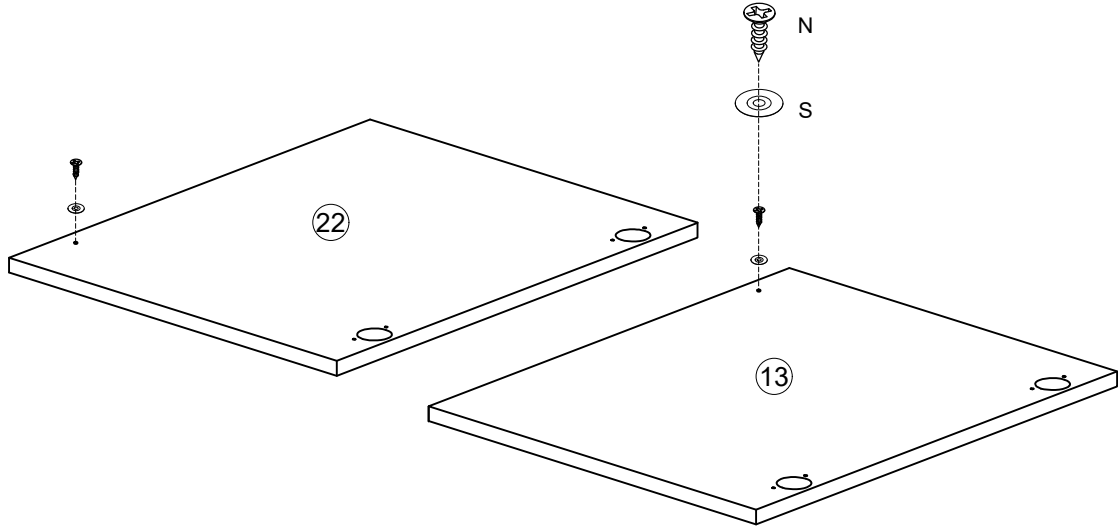
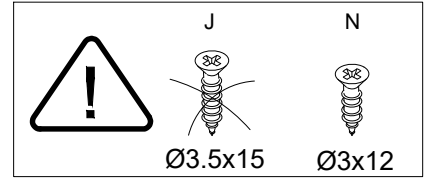
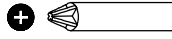
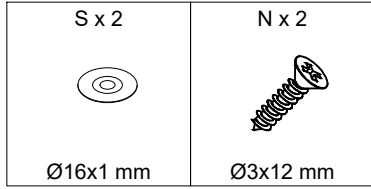
32



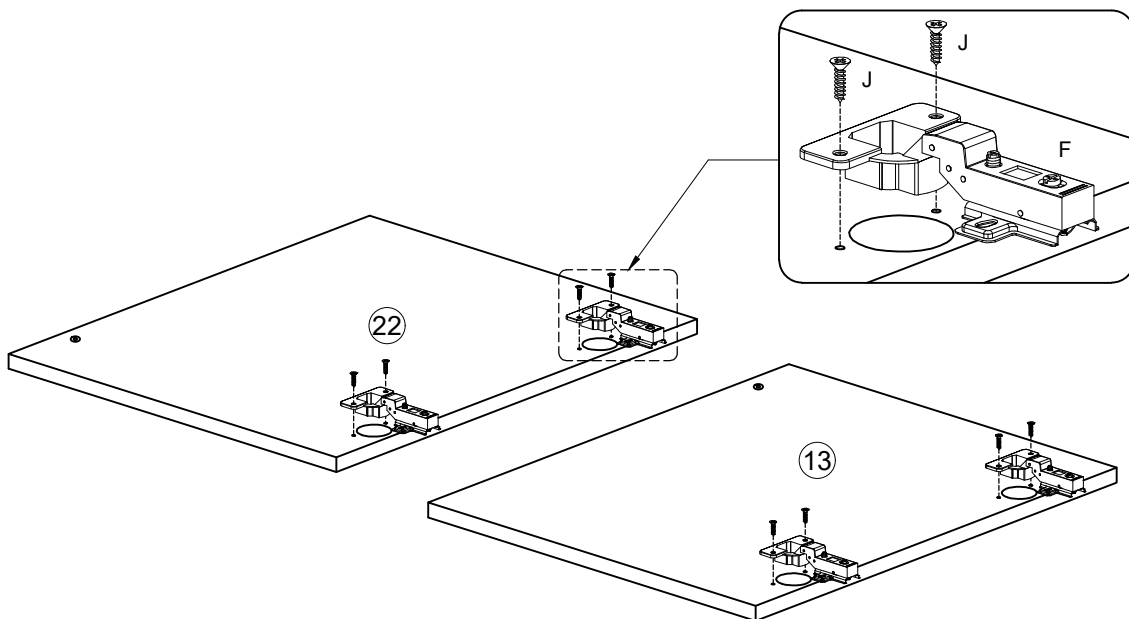
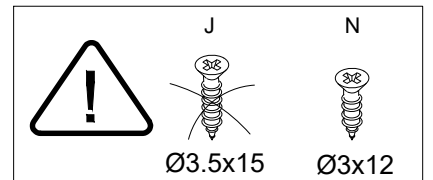
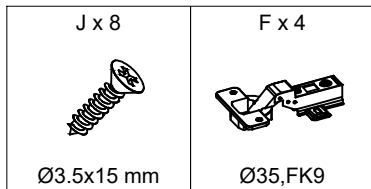
33



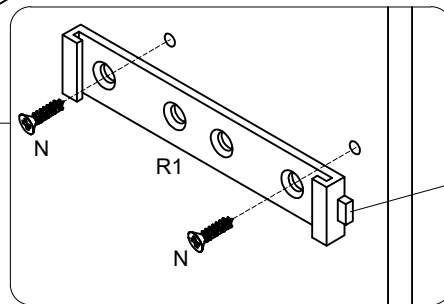
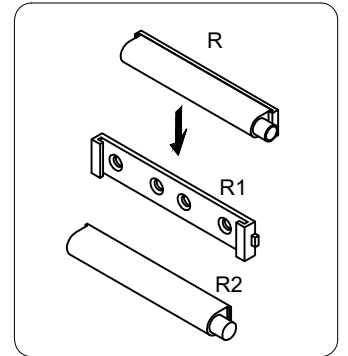
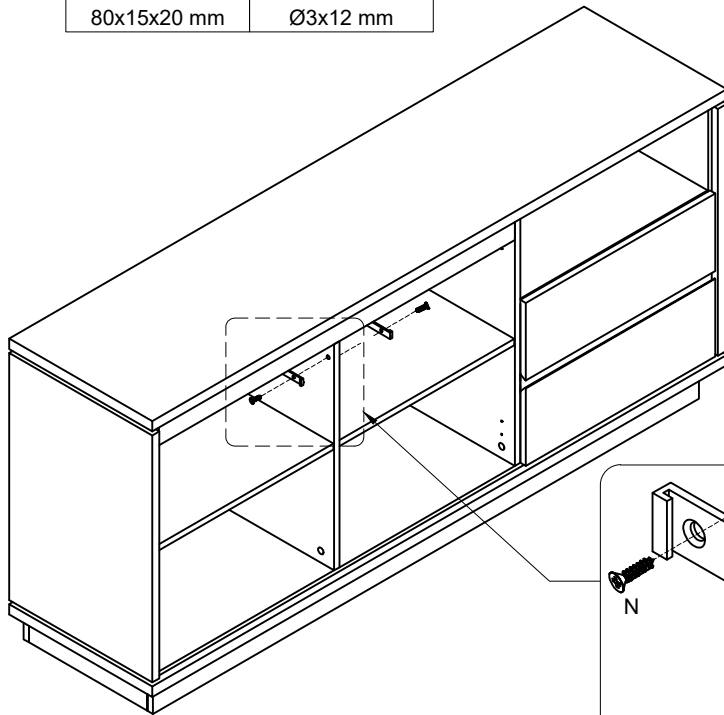
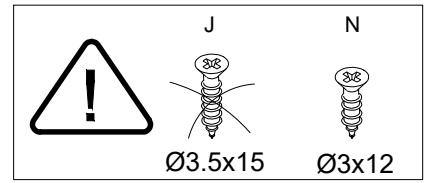
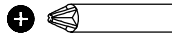
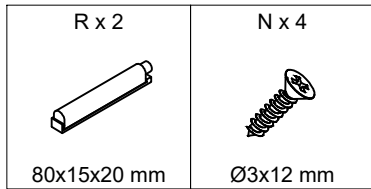
34



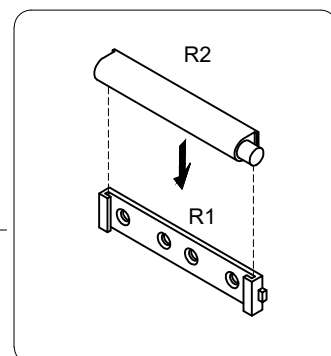
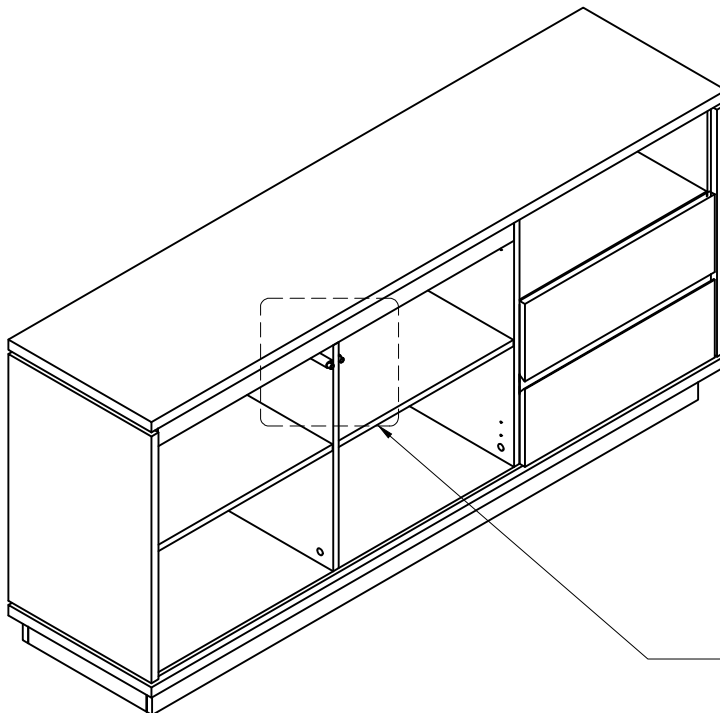
35



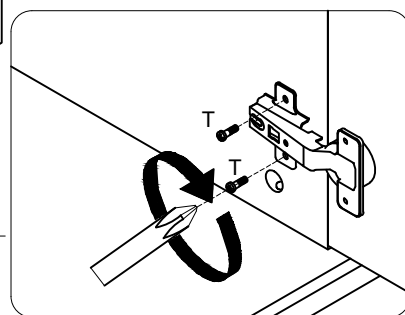
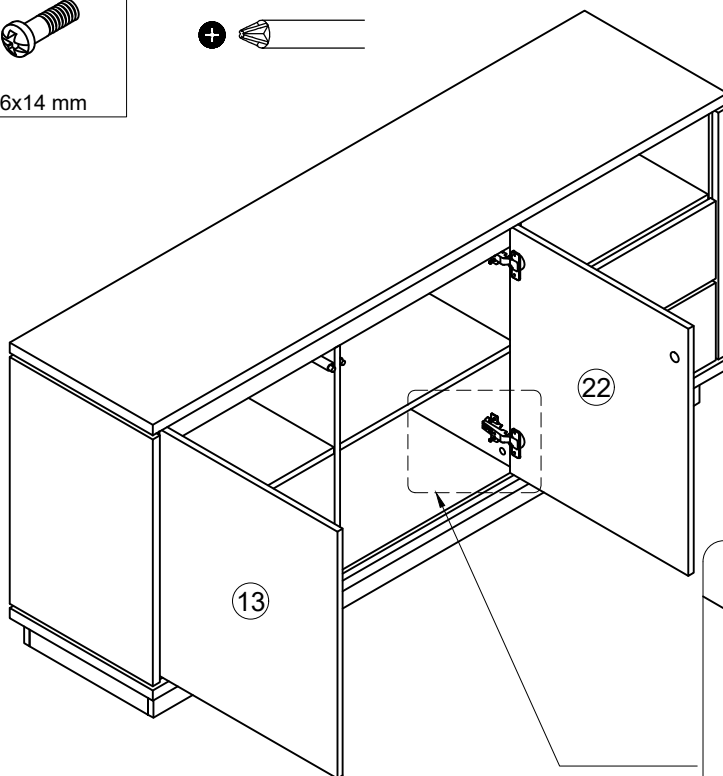
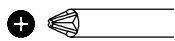
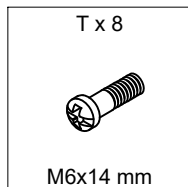
36



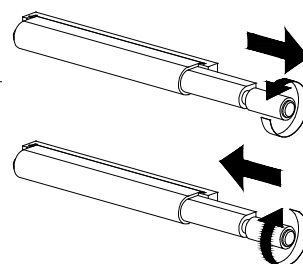
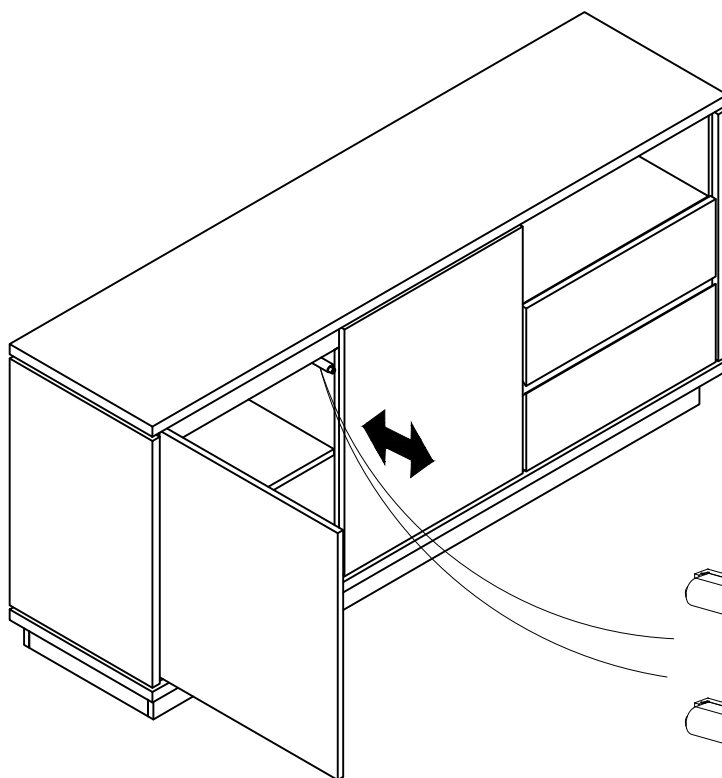
37



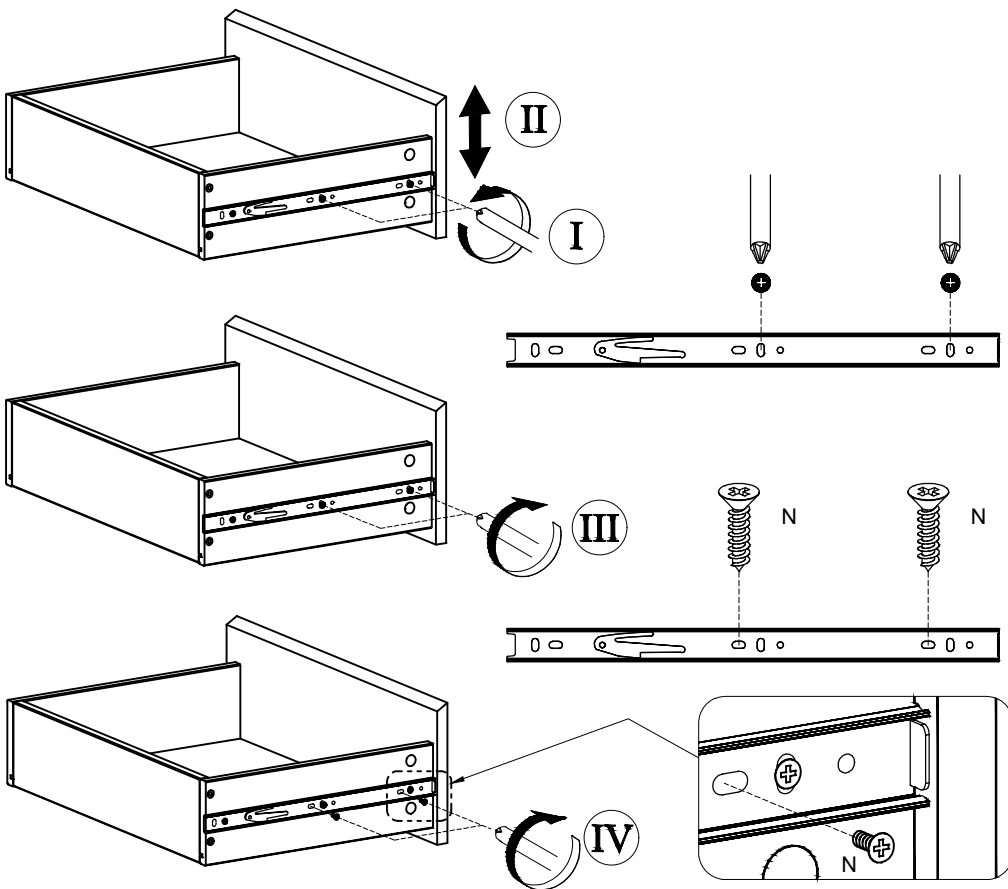
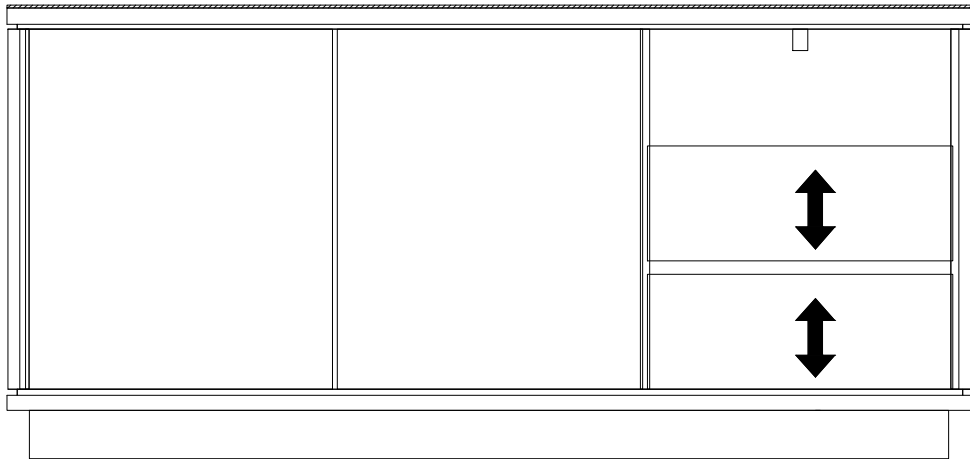
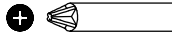
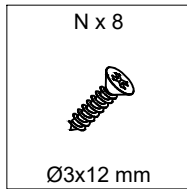
38



39



40



41

