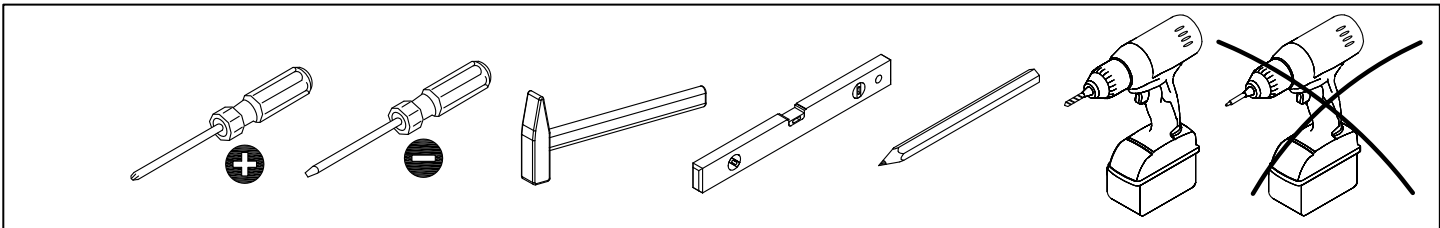
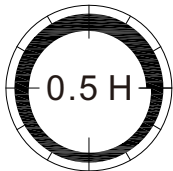
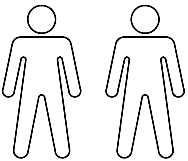
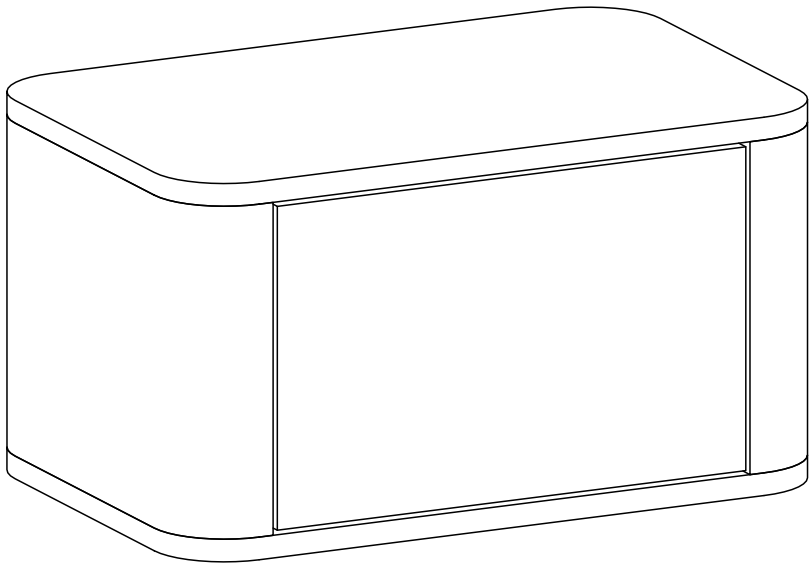
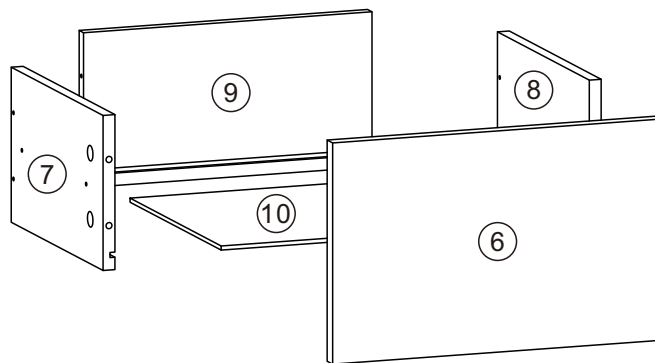
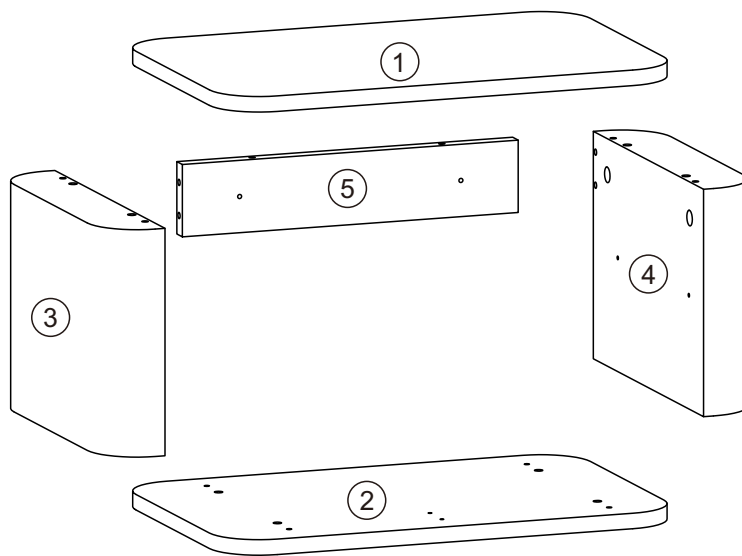


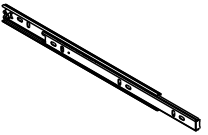
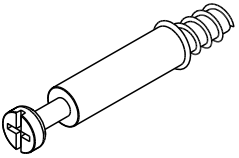

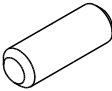
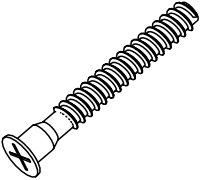
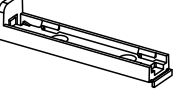
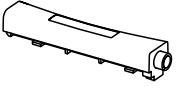
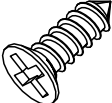

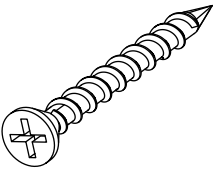
ATMORE



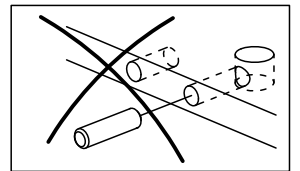
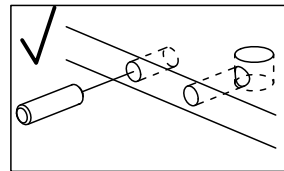
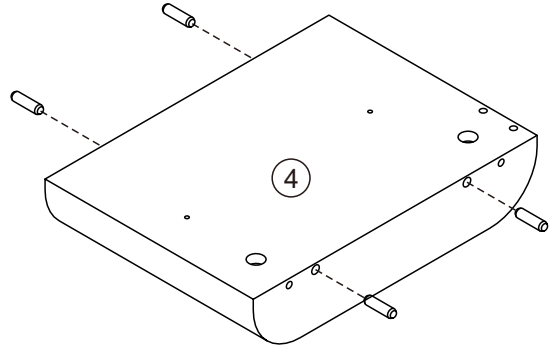
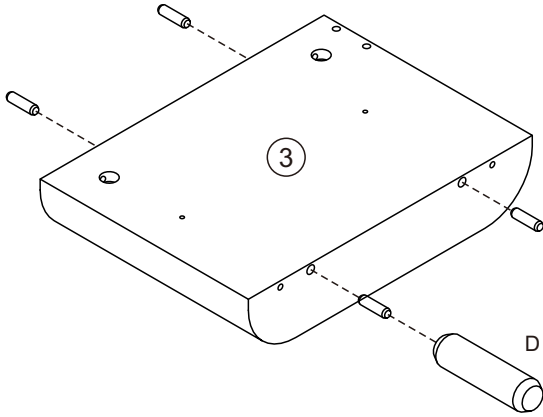
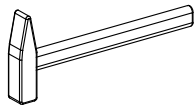
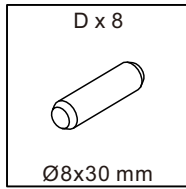
			✓
①	1	460x300x15	
②	1	460x300x15	
③	1	299x220x62	
④	1	299x220x62	
⑤	1	336x70x12	

			✓
⑥	1	214x328x15	
⑦	1	250x148x12	
⑧	1	250x148x12	
⑨	1	291x148x12	
⑩	1	300x248x3	

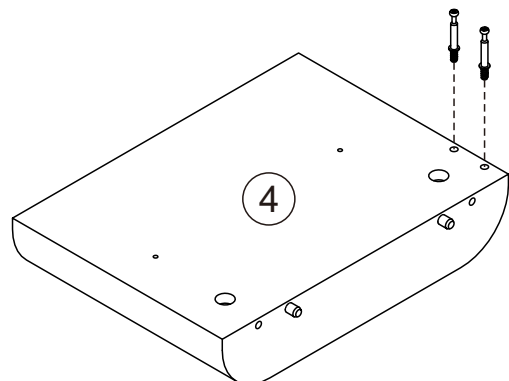
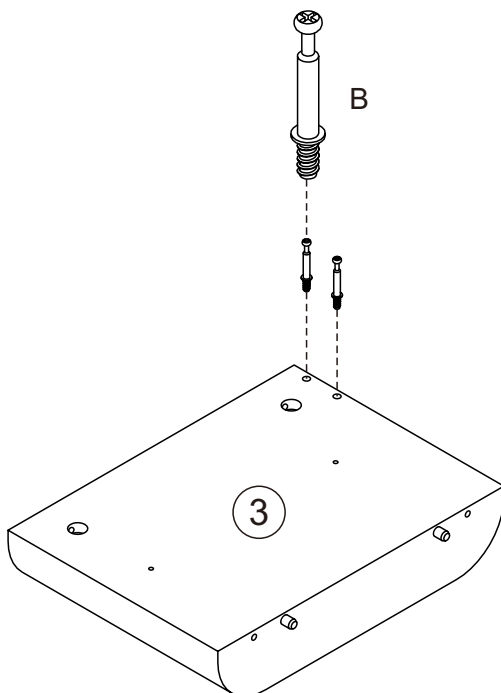
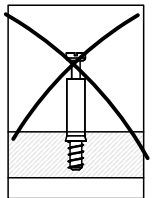
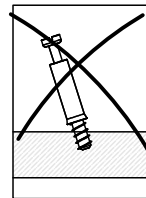
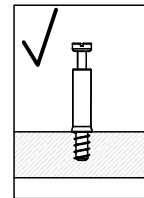
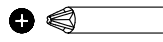
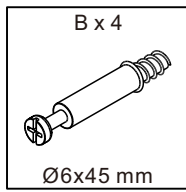


<p>A x 2</p>  <p>340 mm</p>	<p>B x 14</p>  <p>Ø6x45 mm</p>	<p>C x 14</p>  <p>Ø15x9 mm</p>	<p>D x 8</p>  <p>Ø8x30 mm</p>	<p>E x 4</p>  <p>Ø5x38 mm</p>
<p>F x 1</p>  <p>75x16x15 mm</p>	<p>G x 1</p>  <p>73x14x13 mm</p>	<p>H x 14</p>  <p>Ø3.5x12 mm</p>	<p>J x 1</p>  <p>18x18x1.5mm</p>	<p>K x 4</p>  <p>Ø3.5x35 mm</p>

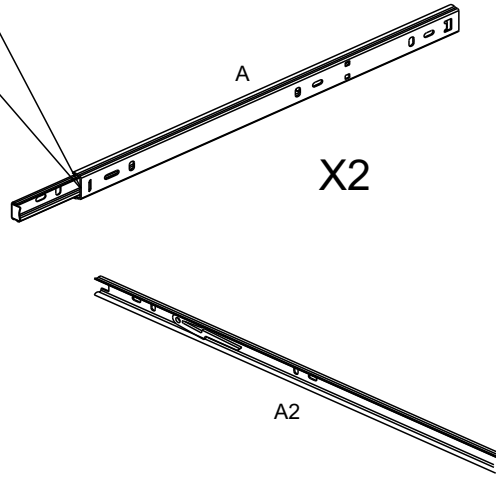
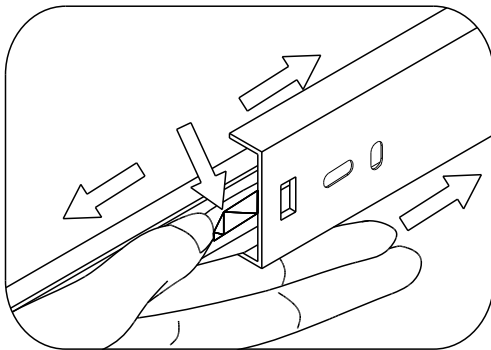
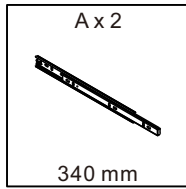
1



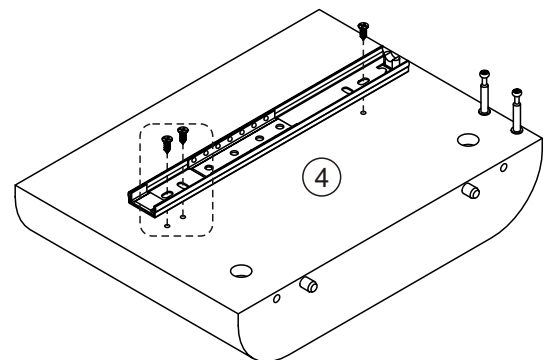
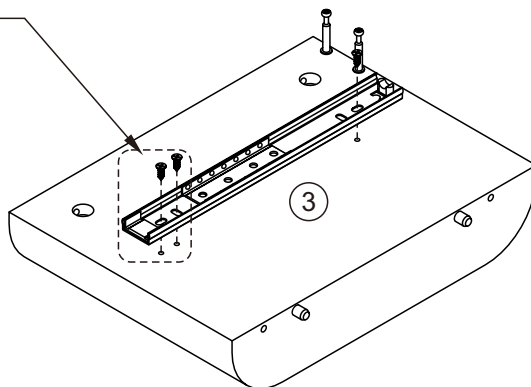
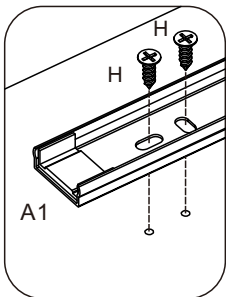
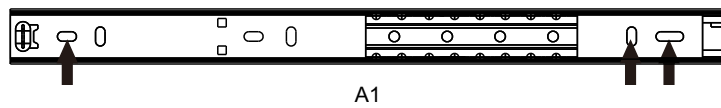
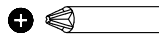
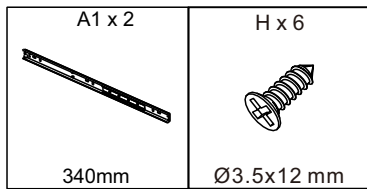
2



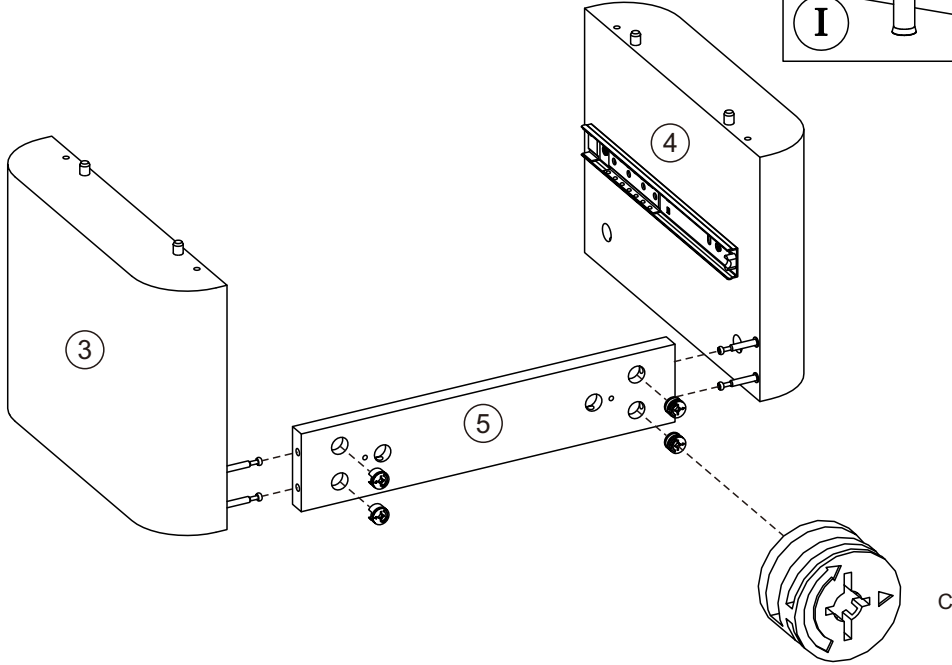
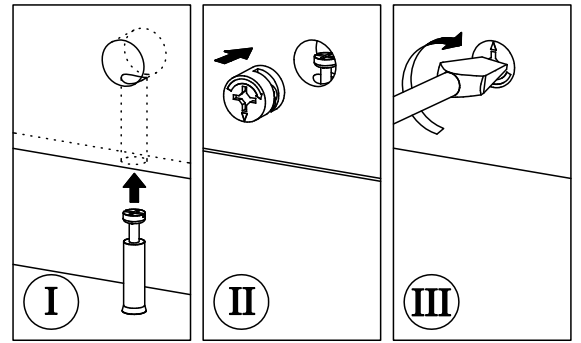
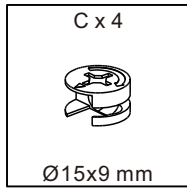
3



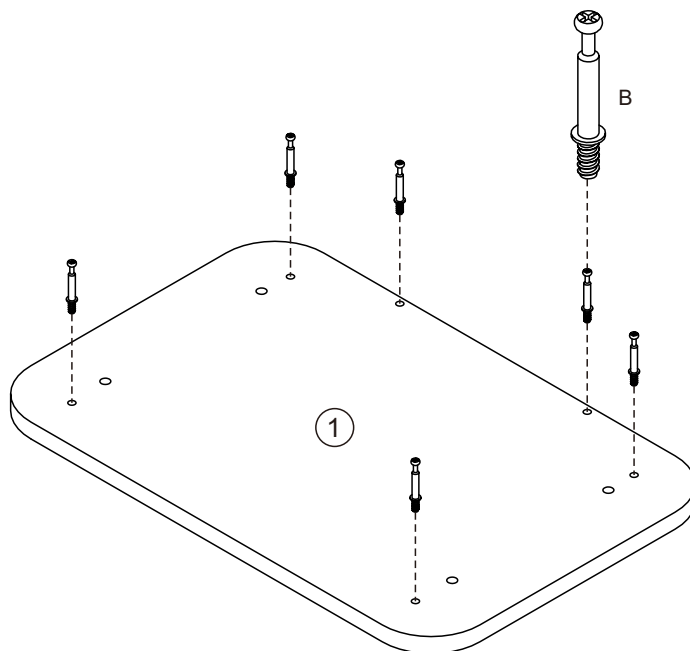
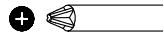
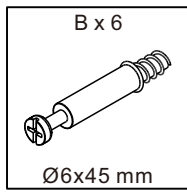
4



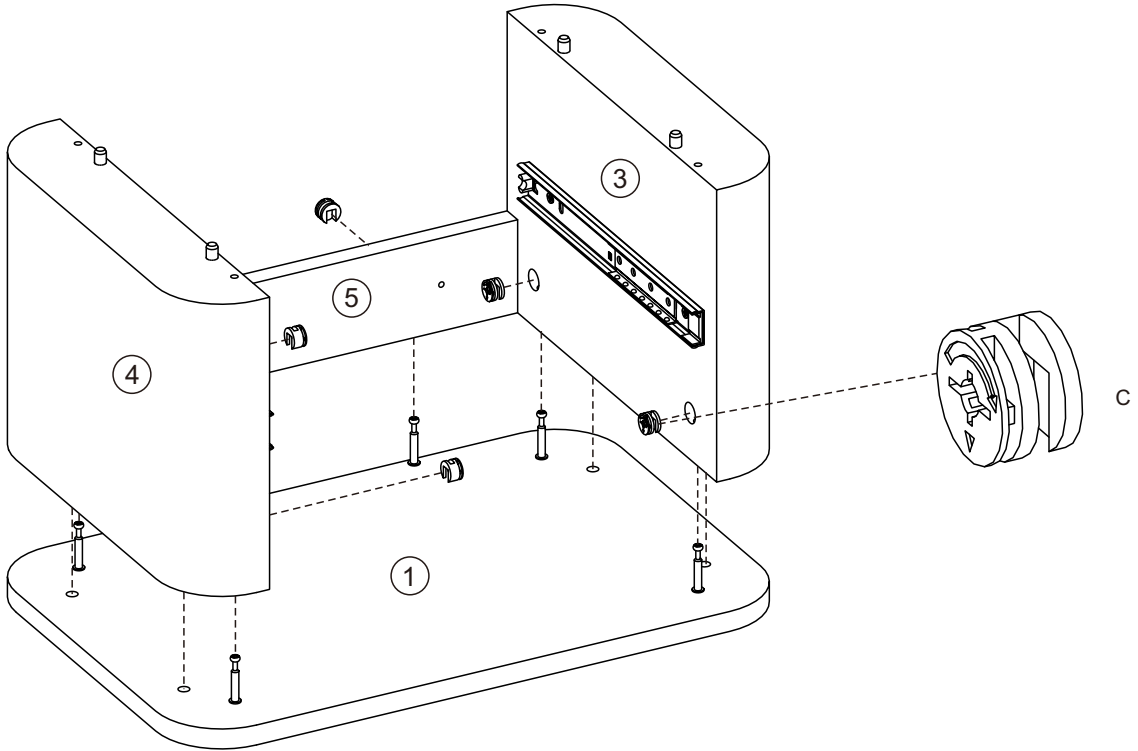
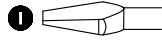
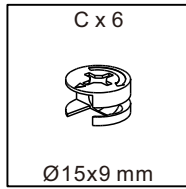
5



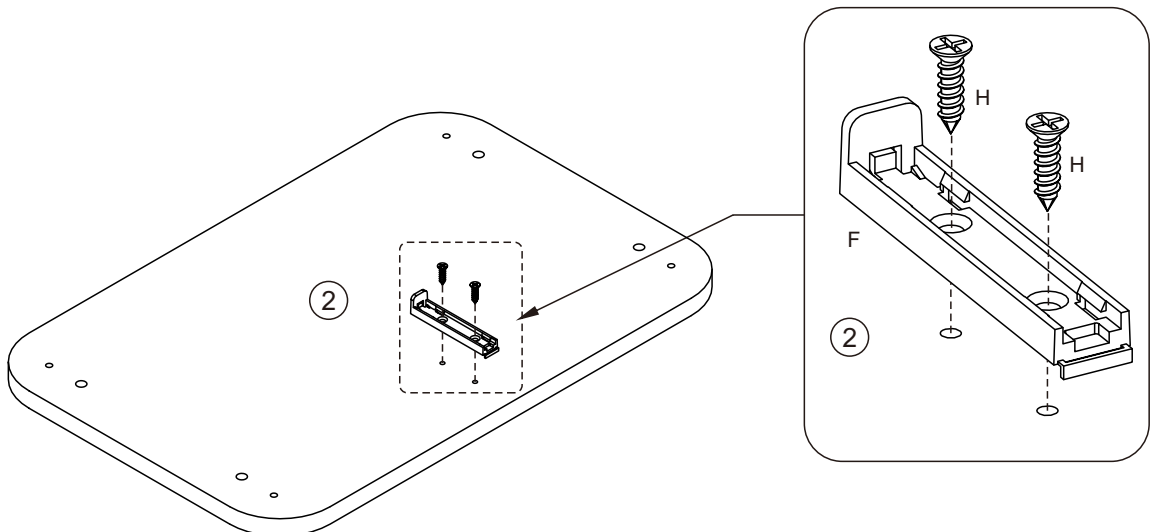
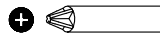
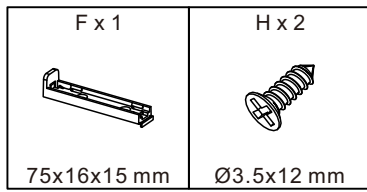
6



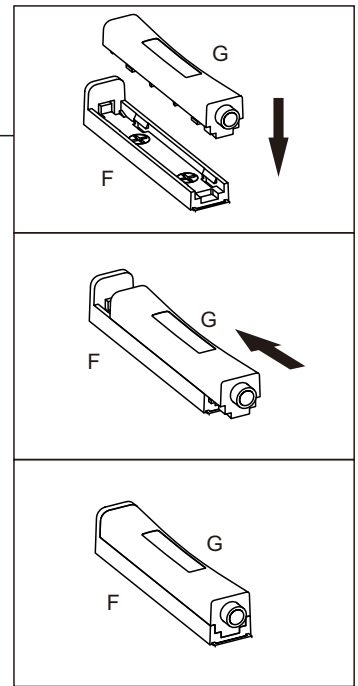
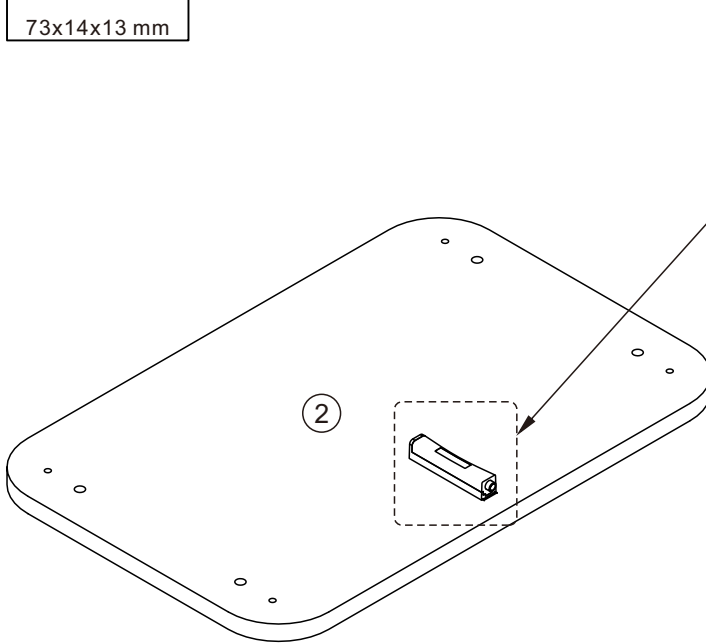
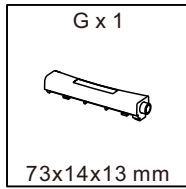
7



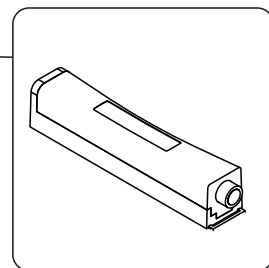
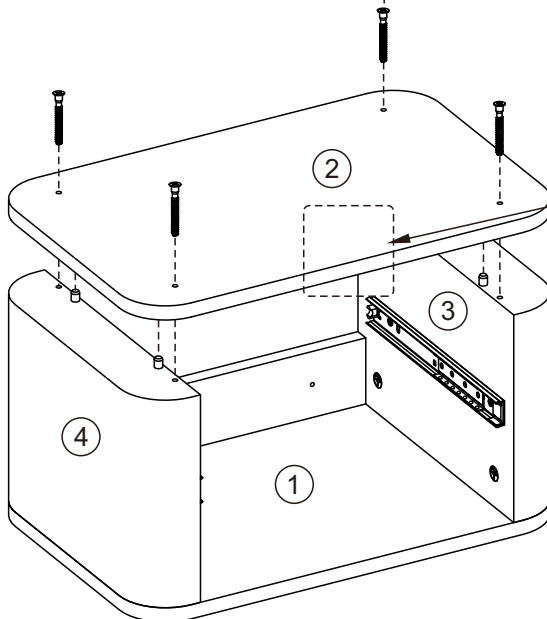
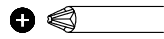
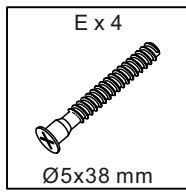
8



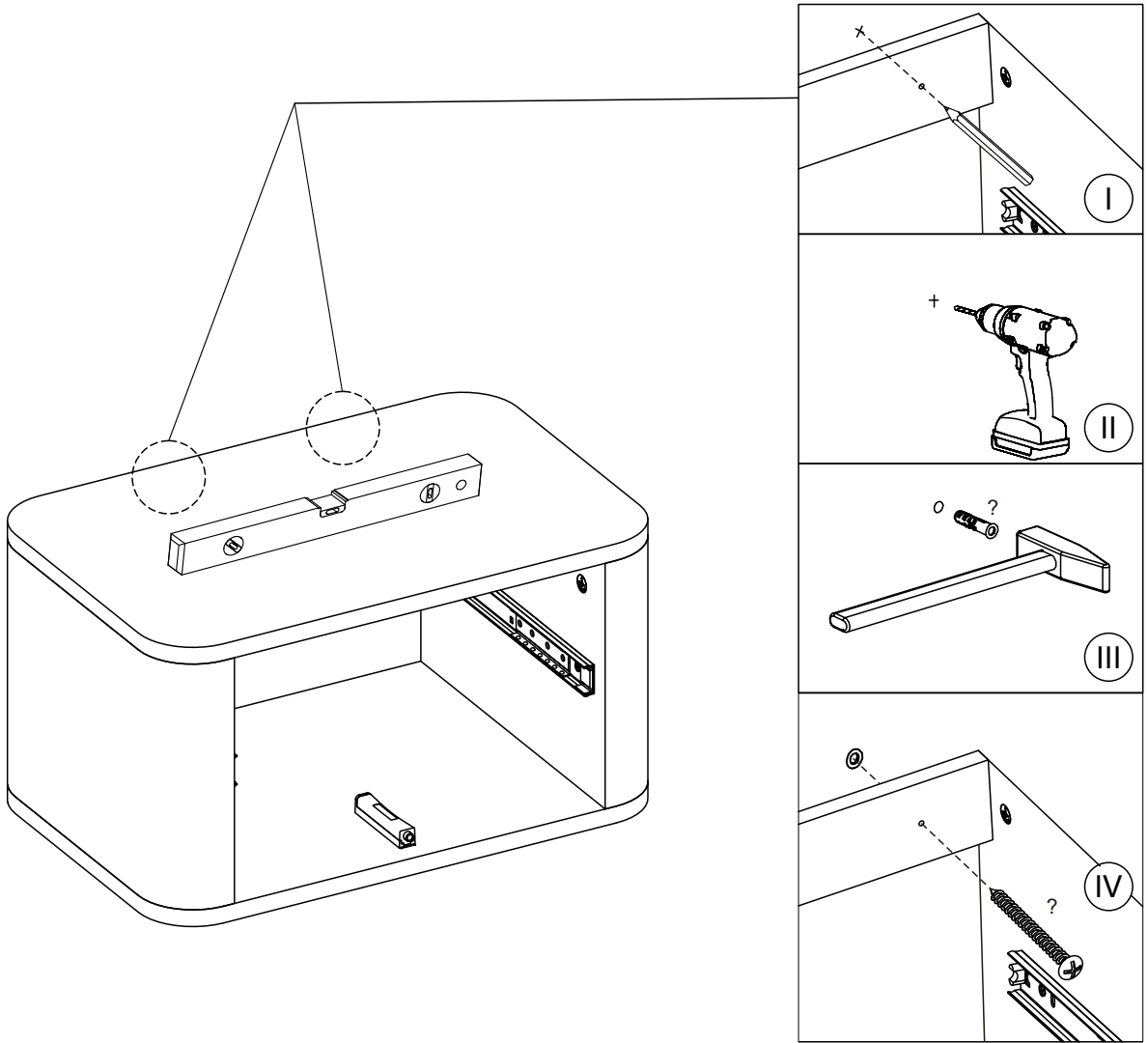
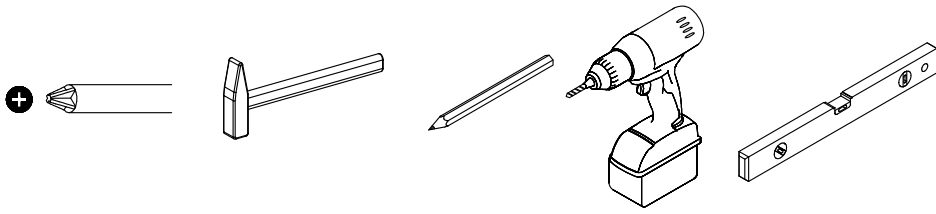
9



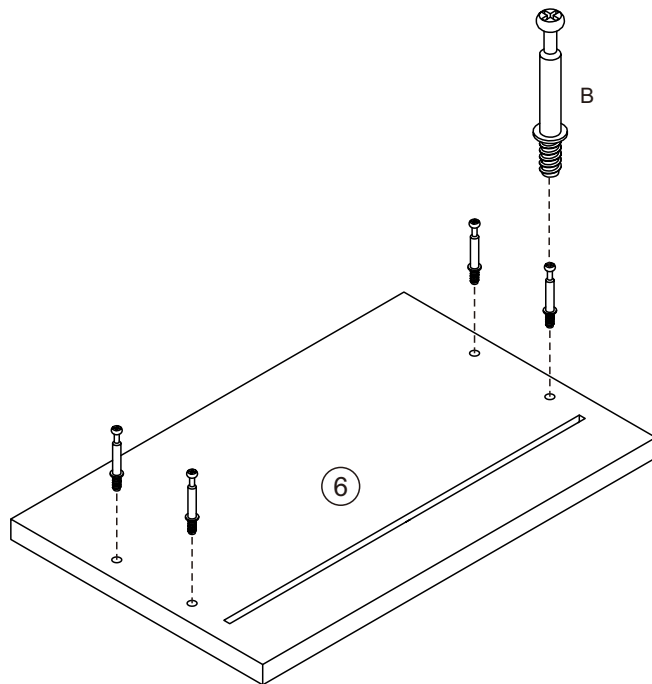
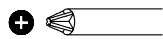
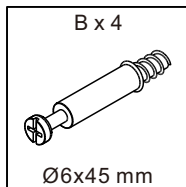
10



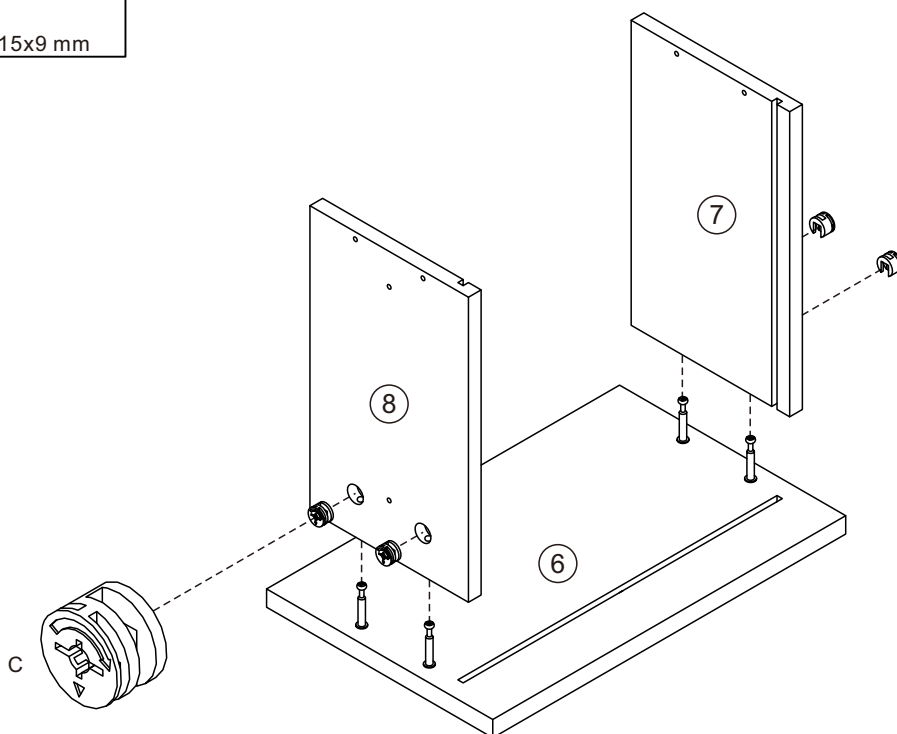
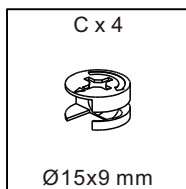
11



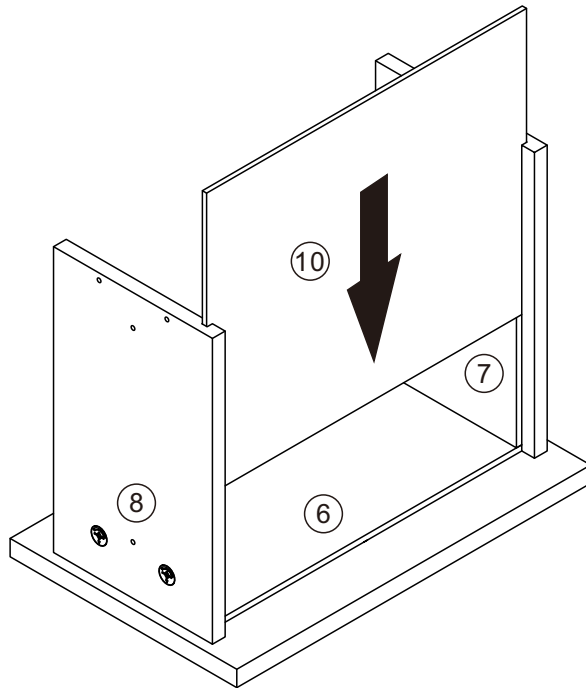
12



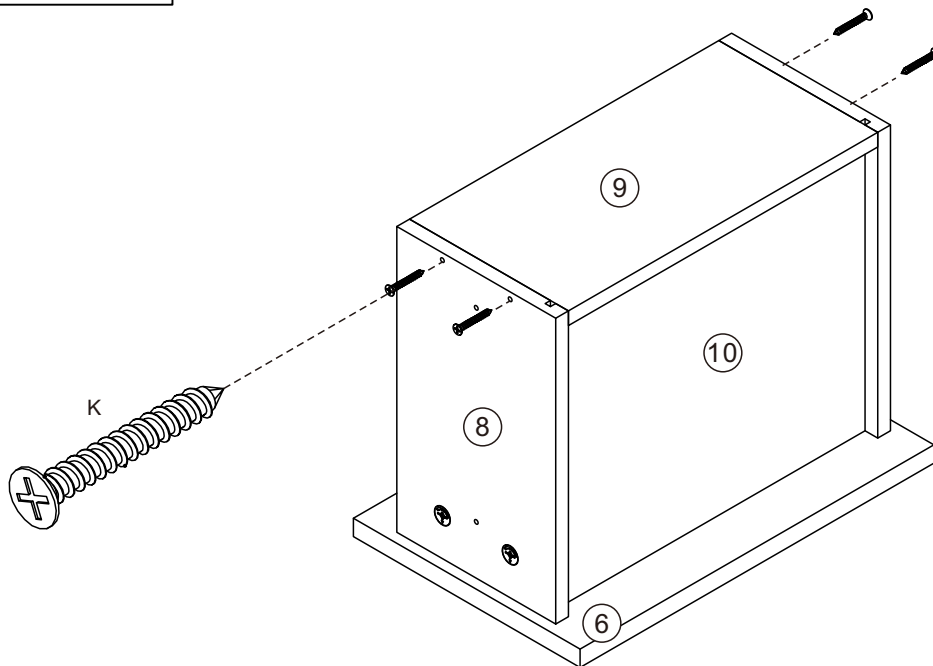
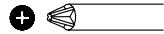
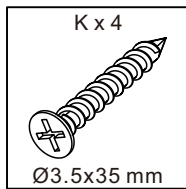
13



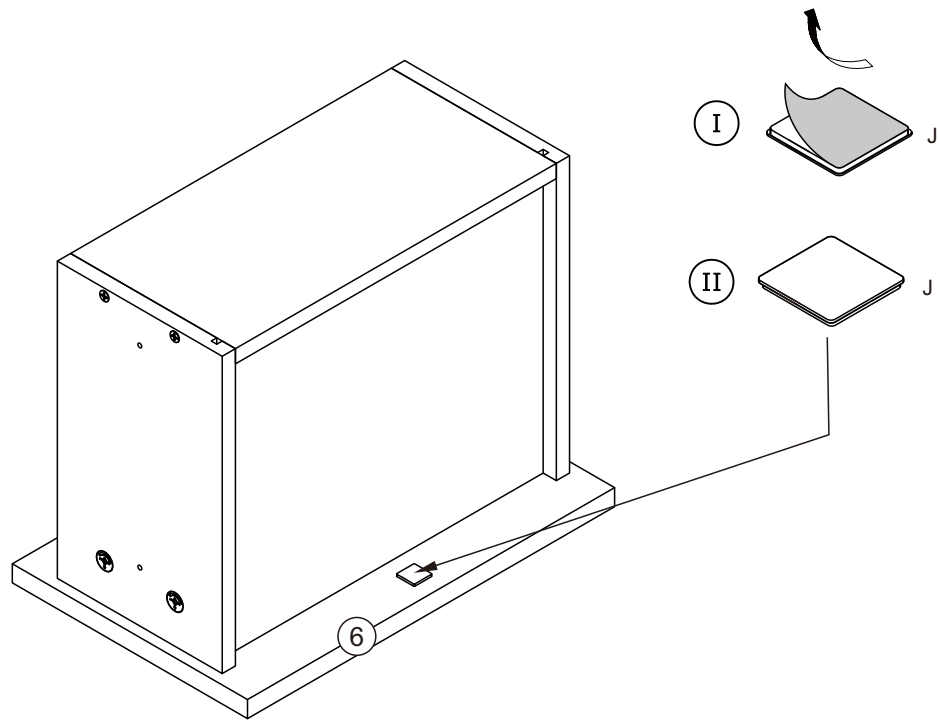
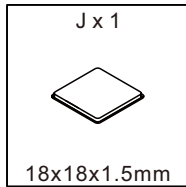
14



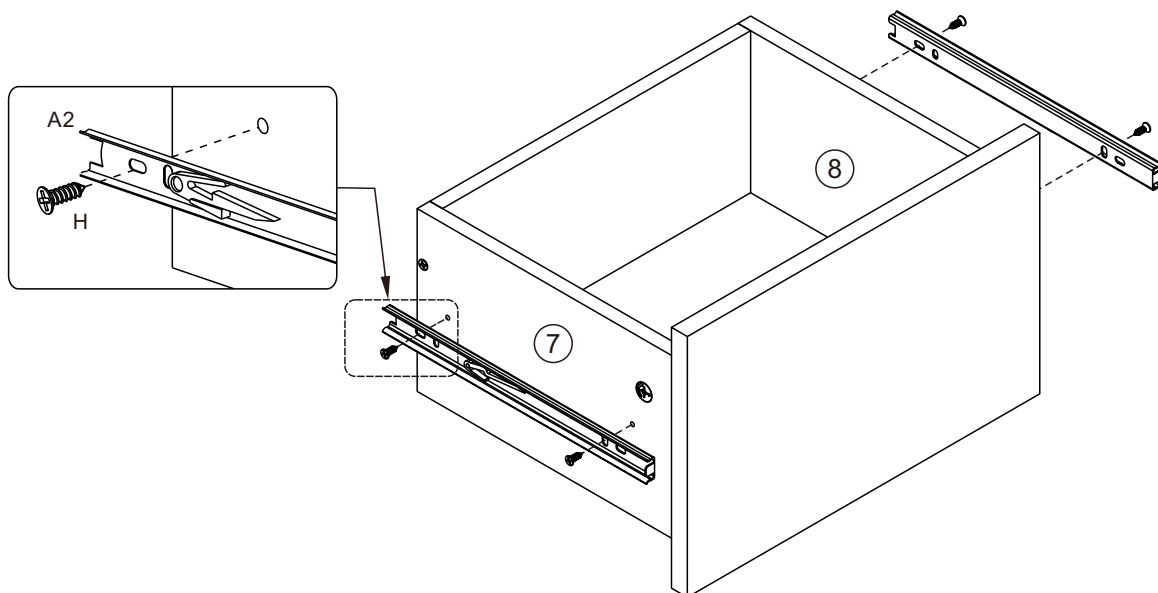
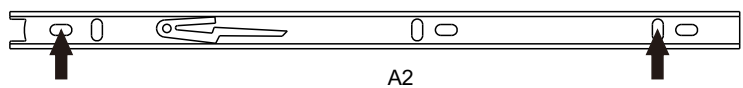
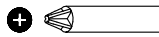
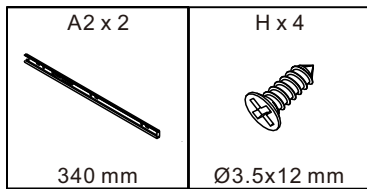
15



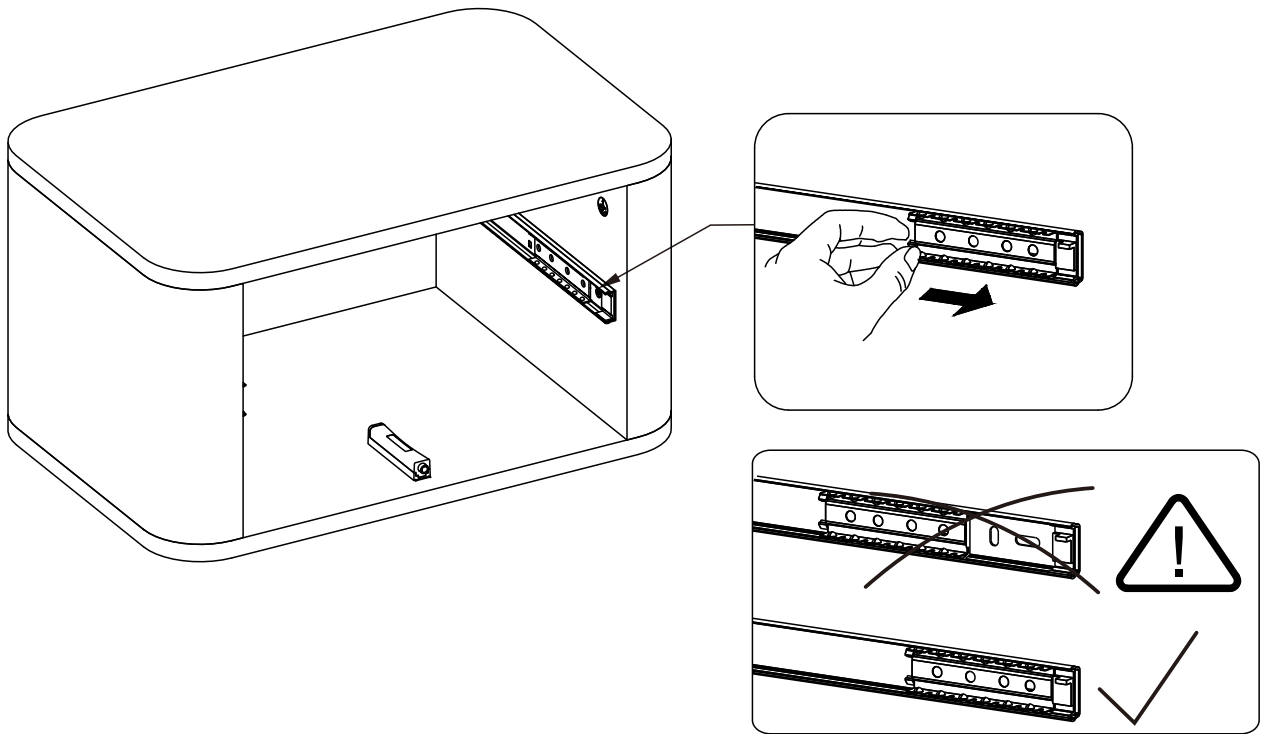
16



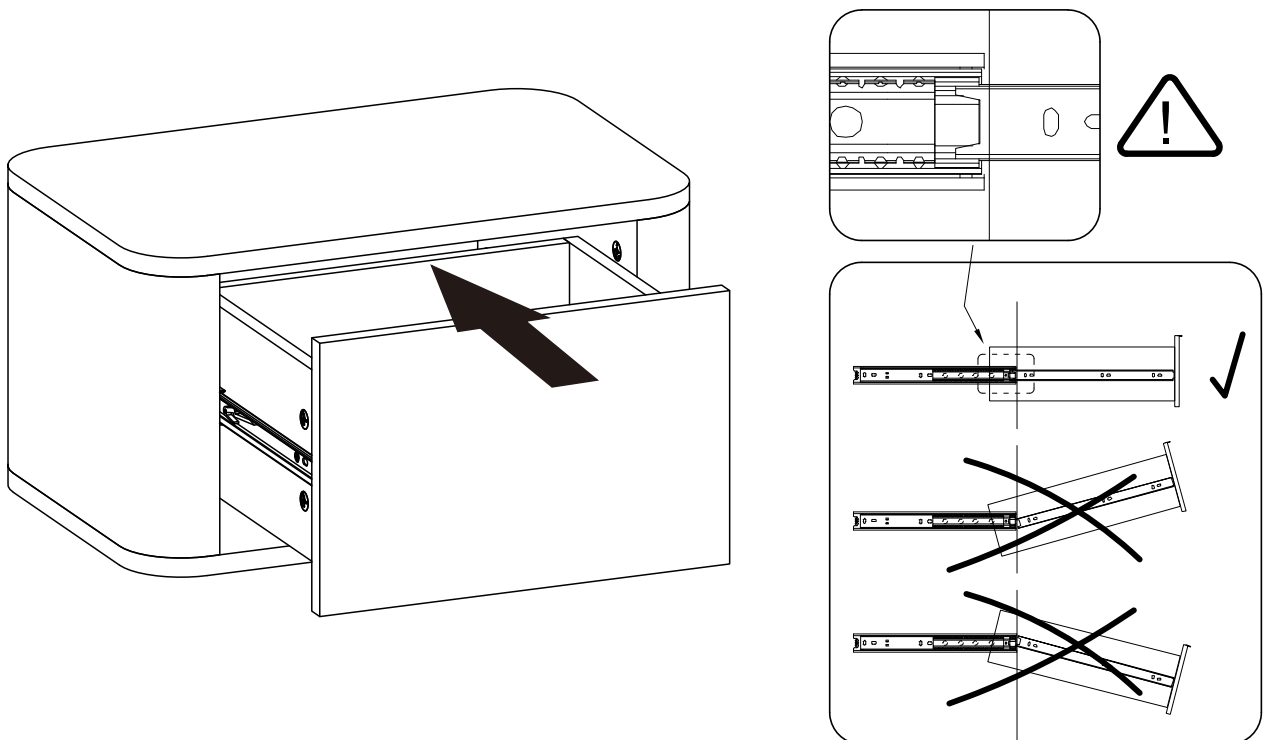
17



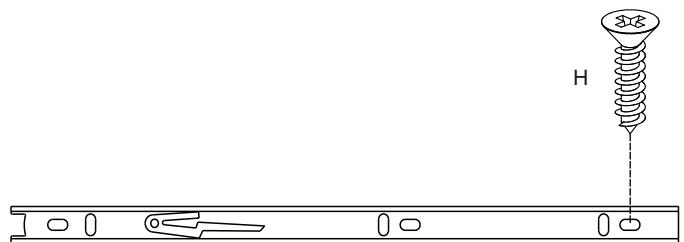
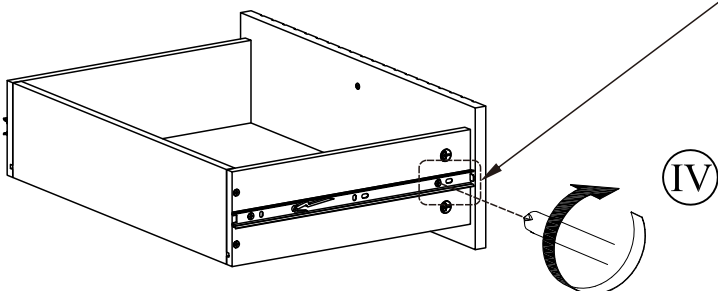
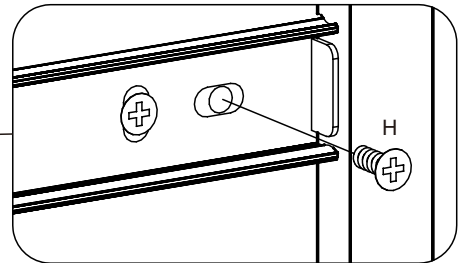
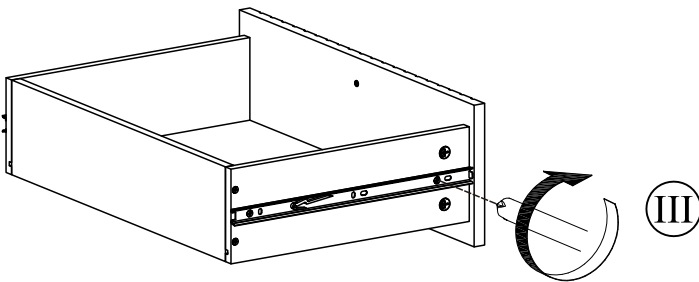
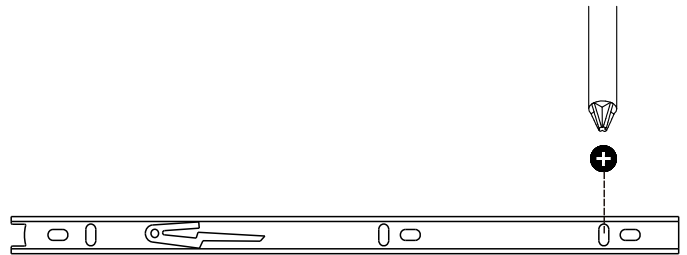
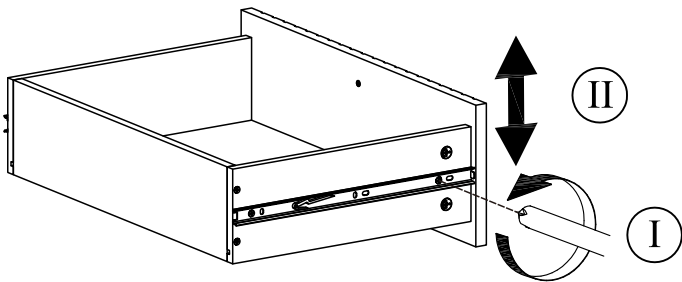
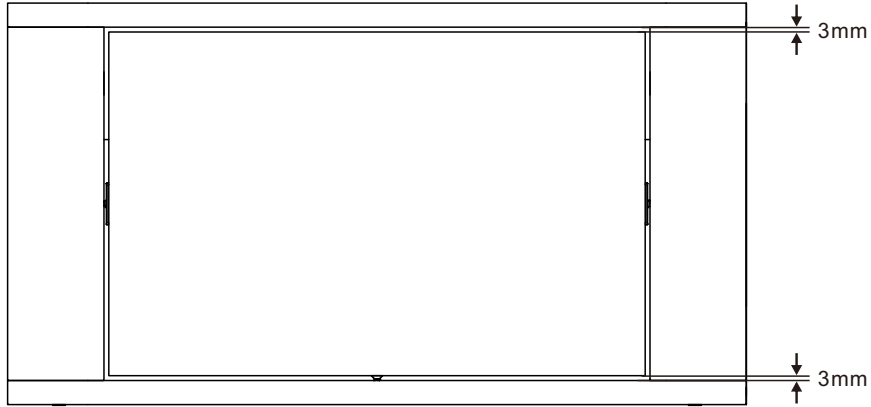
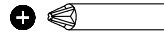
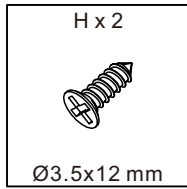
18



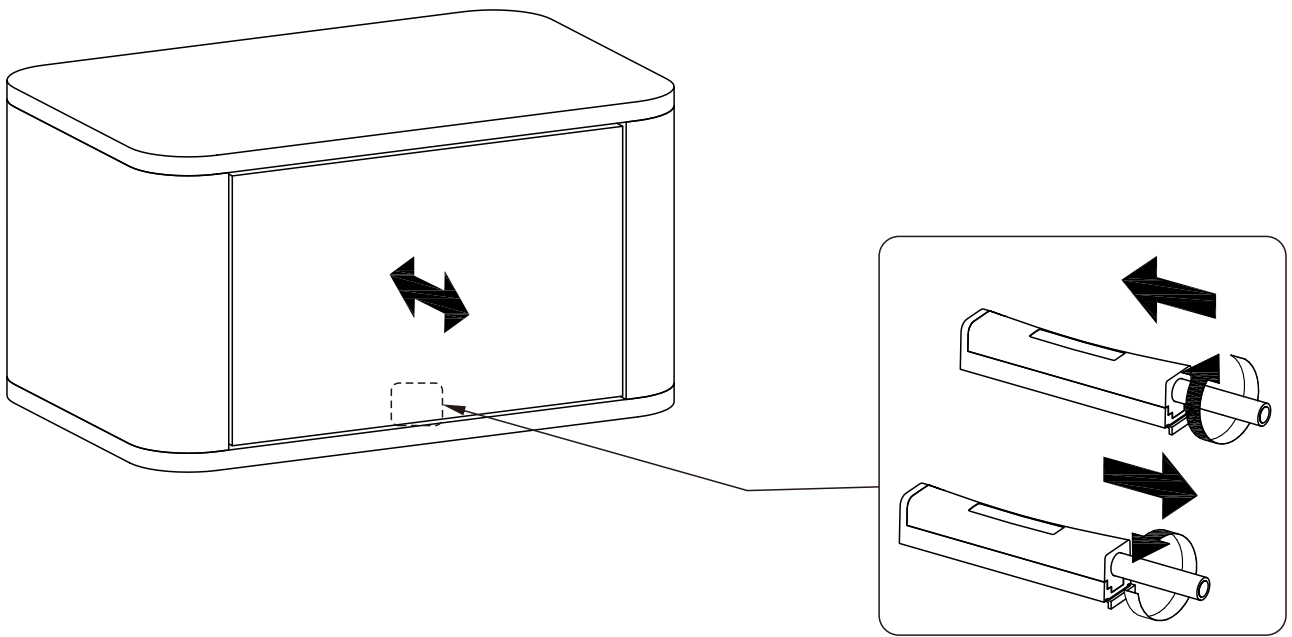
19



20



21



22

