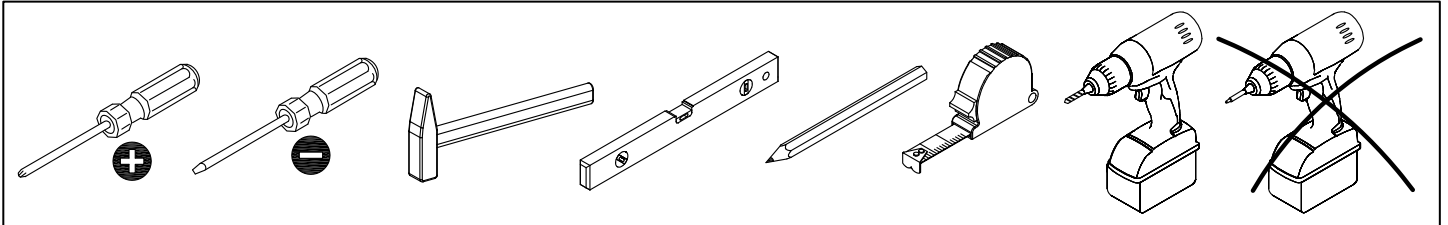
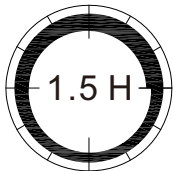
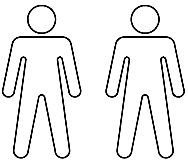
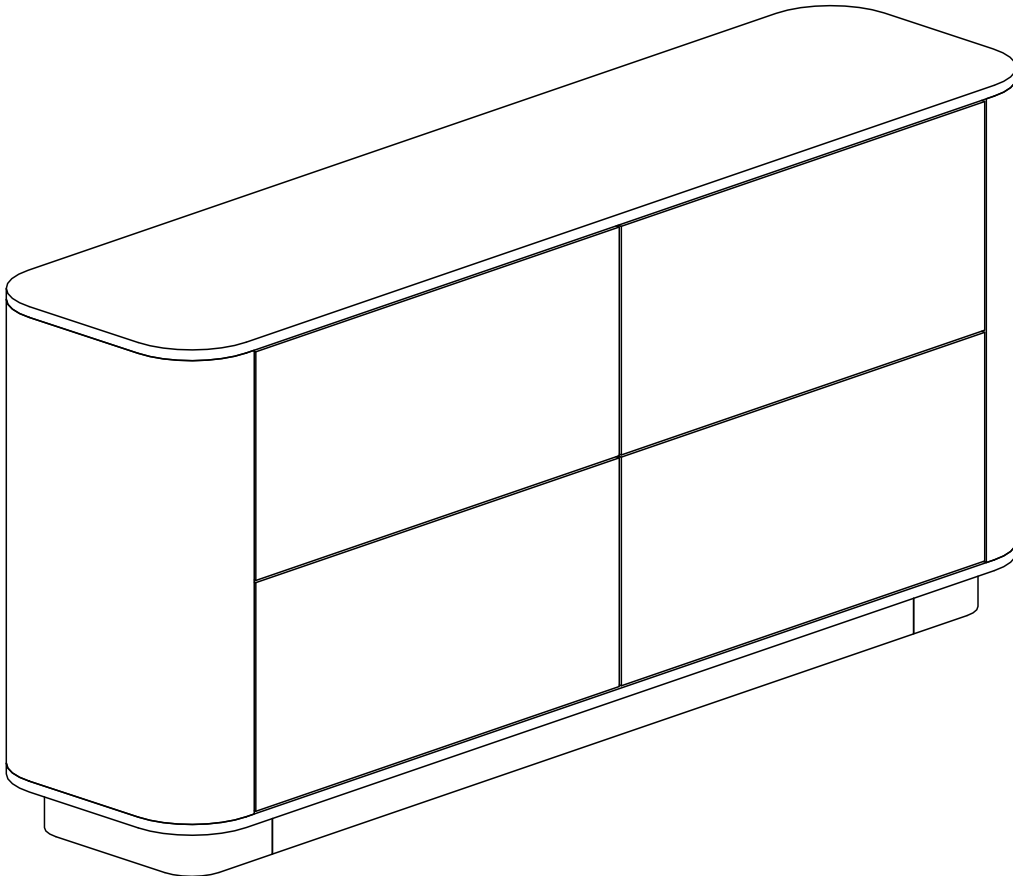
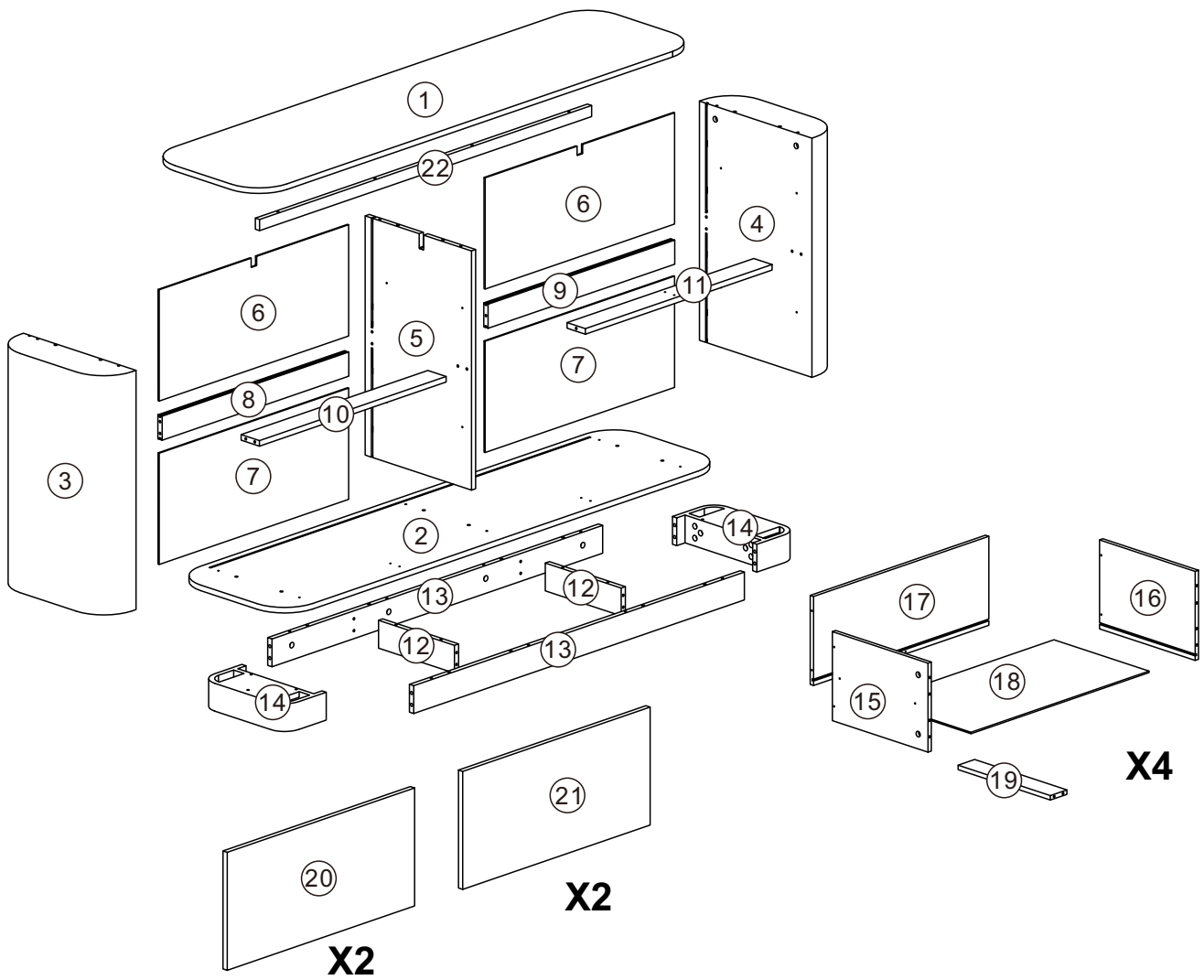


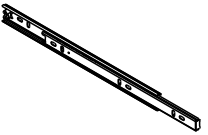
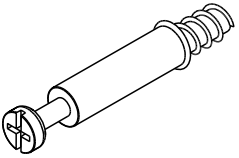
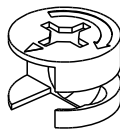
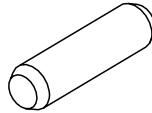
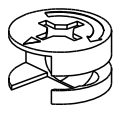
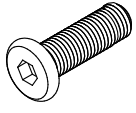
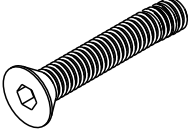
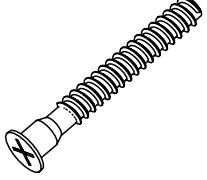
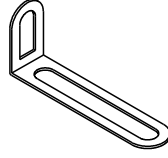
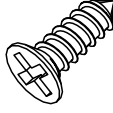
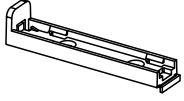
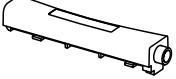
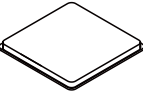
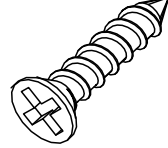
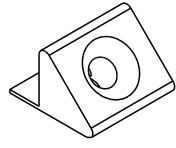
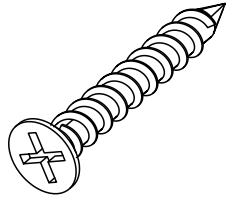
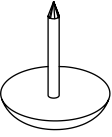
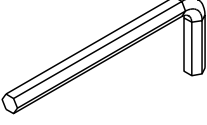
# ATMORE



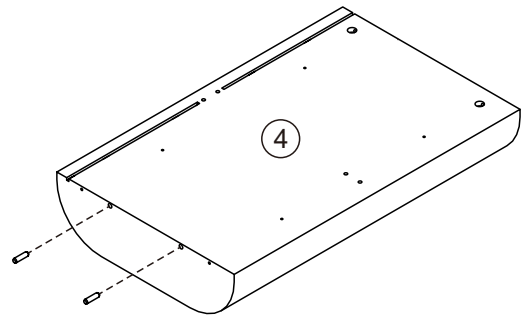
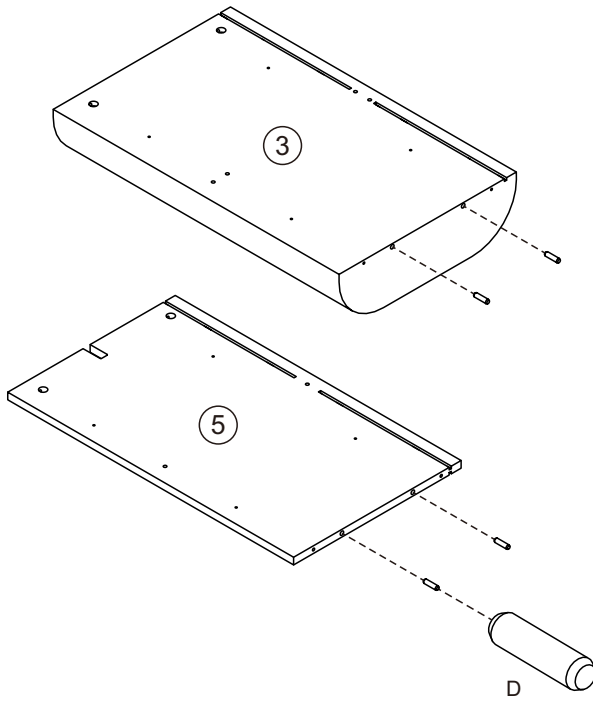
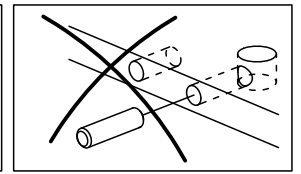
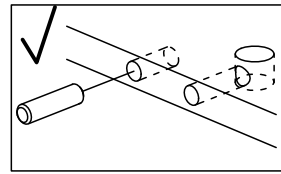
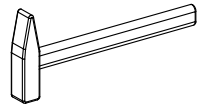
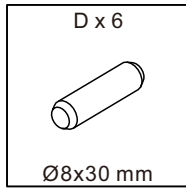
			✓
①	1	1600x400x15	
②	1	1600x400x15	
③	1	645x399x112	
④	1	645x399x112	
⑤	1	645x378x15	
⑥	2	690x300x3	
⑦	2	690x300x3	
⑧	1	680x65x15	
⑨	1	680x65x15	
⑩	1	680x65x15	
⑪	1	680x65x15	

			✓
⑫	2	270x75x15	
⑬	2	1200x75x15	
⑭	2	300x150x75	
⑮	4	340x240x12	
⑯	4	340x240x12	
⑰	4	636x240x12	
⑱	4	646x338x3	
⑲	4	328x60x12	
⑳	2	682x318x15	
㉑	2	682x318x15	
㉒	1	1205x30x15	

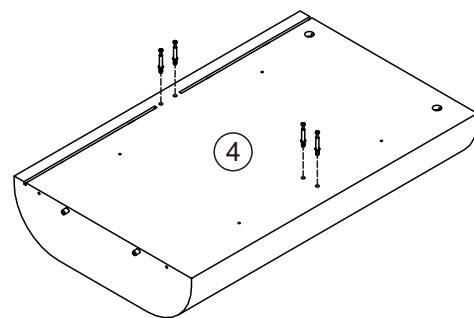
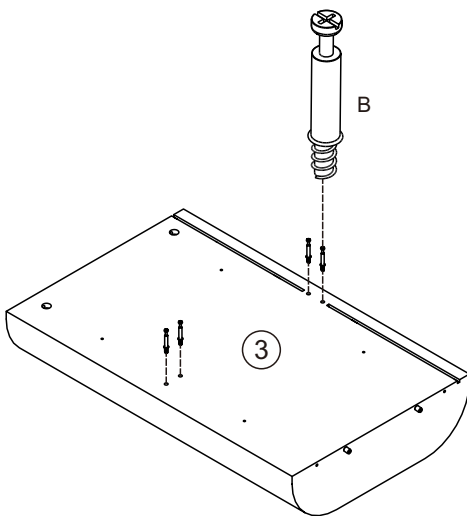
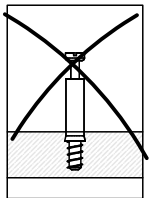
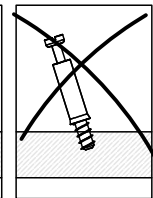
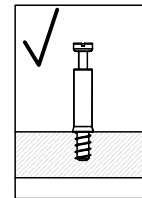
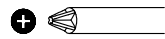
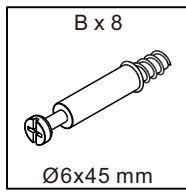


<p>A x 8</p>  <p>340 mm</p>	<p>B x 68</p>  <p>Ø6x45 mm</p>	<p>C x 40</p>  <p>Ø15x12 mm</p>	<p>D x 44</p>  <p>Ø8x30 mm</p>	<p>E x 28</p>  <p>Ø15x9 mm</p>
<p>F x 4</p>  <p>M6x12 mm</p>	<p>G x 4</p>  <p>M6x40 mm</p>	<p>H x 6</p>  <p>Ø5x38 mm</p>	<p>J x 2</p>  <p>75x25x15 mm</p>	<p>K x 56</p>  <p>Ø3.5x12 mm</p>
<p>L x 4</p>  <p>75x16x15 mm</p>	<p>M x 4</p>  <p>73x14x13 mm</p>	<p>N x 4</p>  <p>18x18x1.5mm</p>	<p>P x 12</p>  <p>Ø3.5x18 mm</p>	<p>Q x 12</p>  <p>15x13x10 mm</p>
<p>R x 26</p>  <p>Ø3.5x35 mm</p>	<p>S x 8</p>  <p>Ø13 mm</p>	<p>T x 1</p>  <p>4 mm</p>		

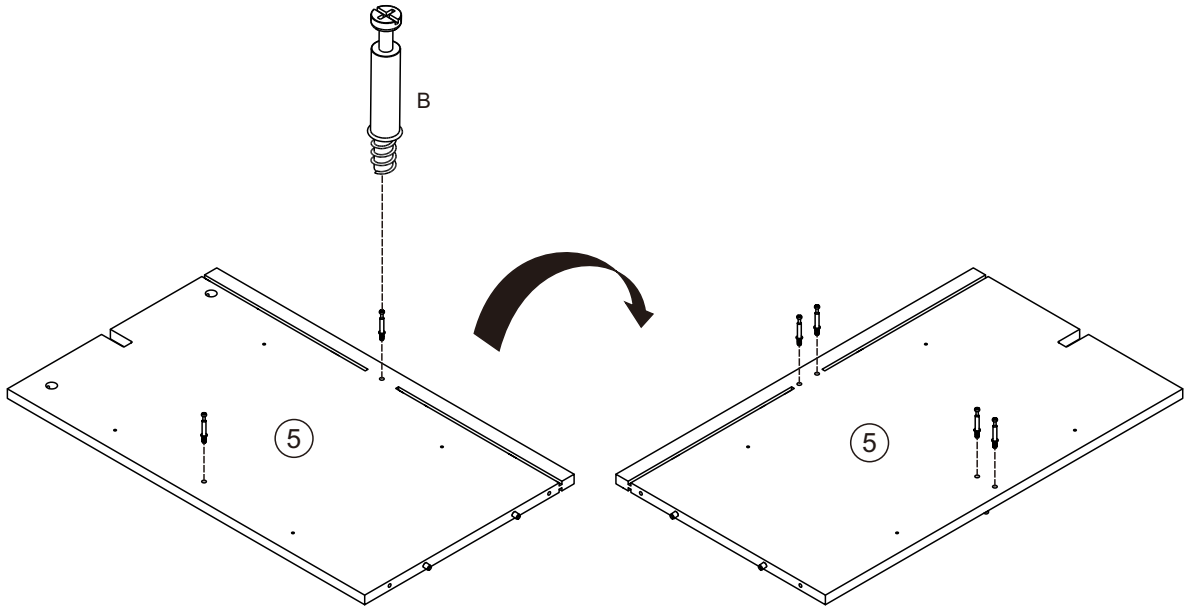
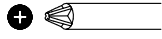
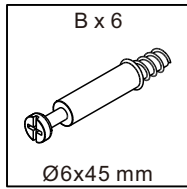
# 1



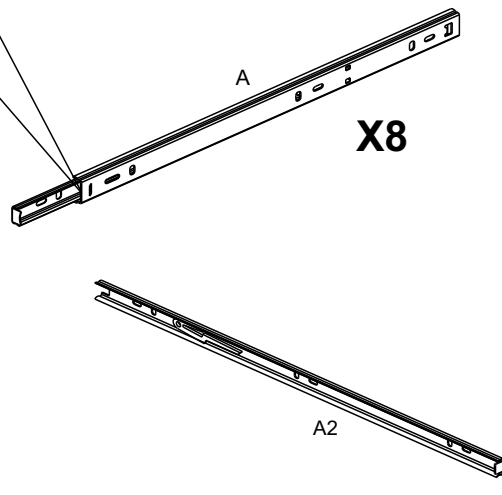
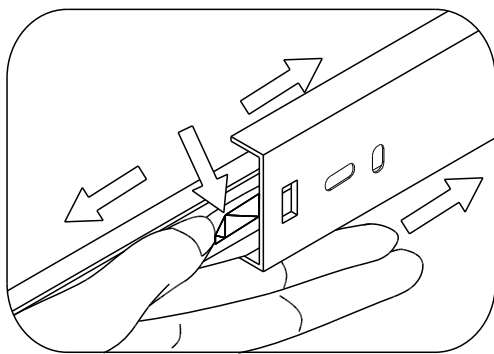
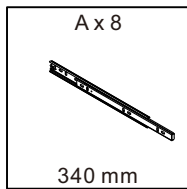
# 2



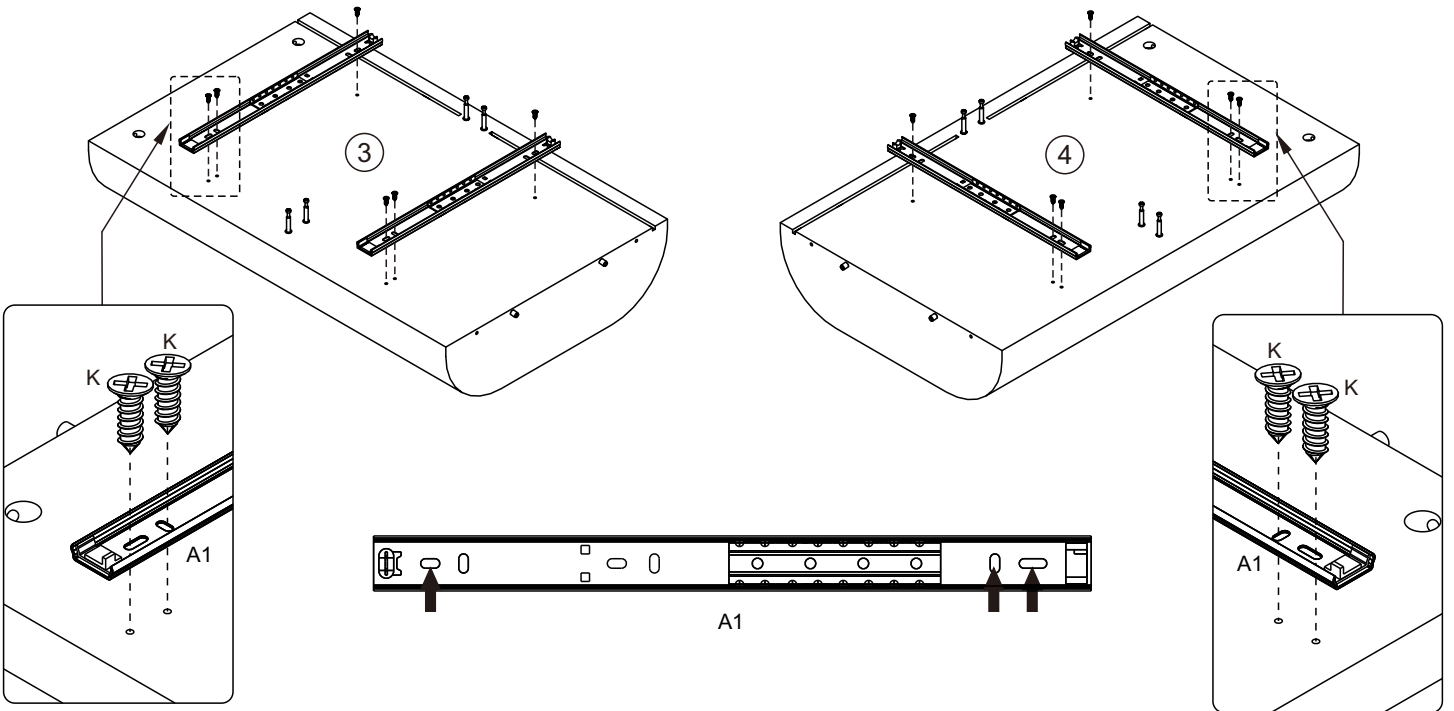
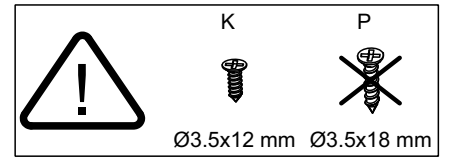
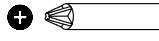
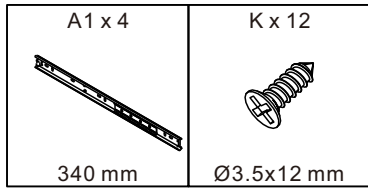
# 3



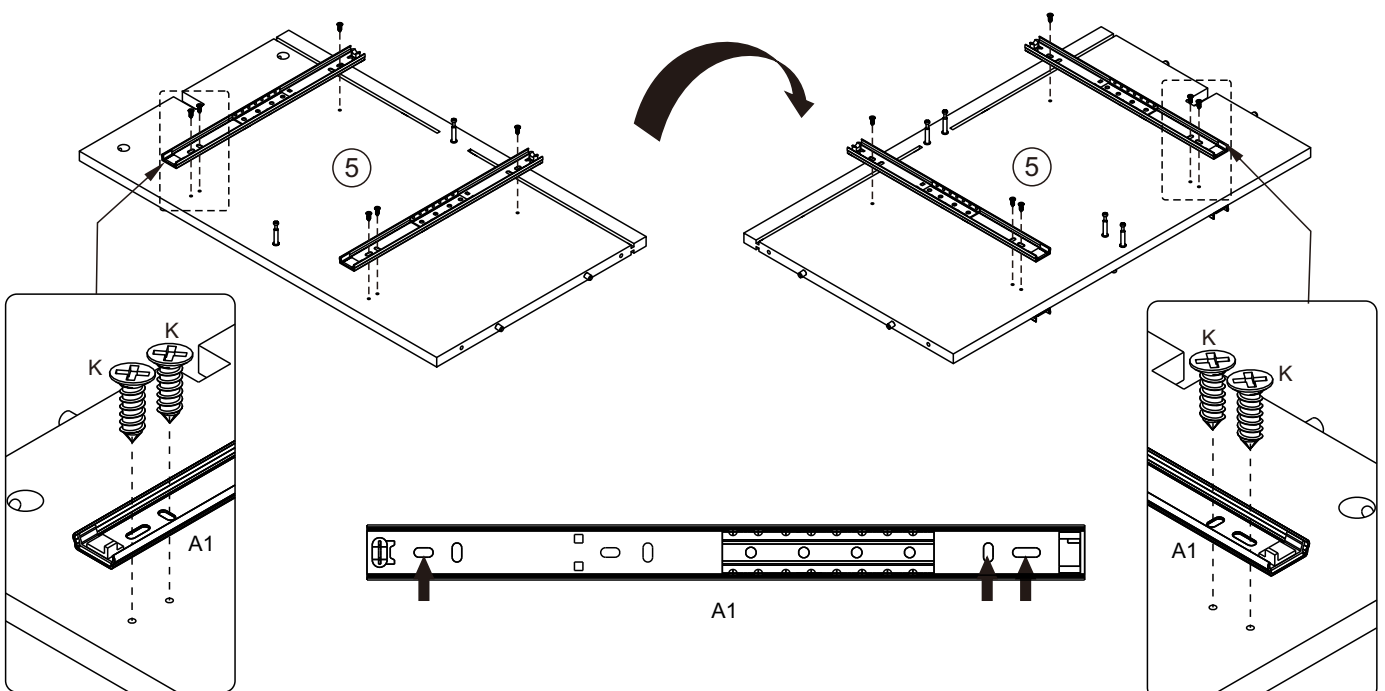
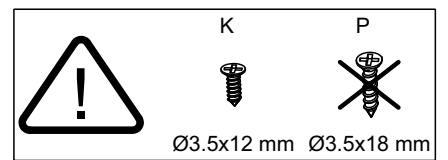
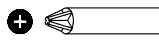
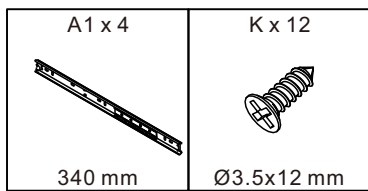
# 4



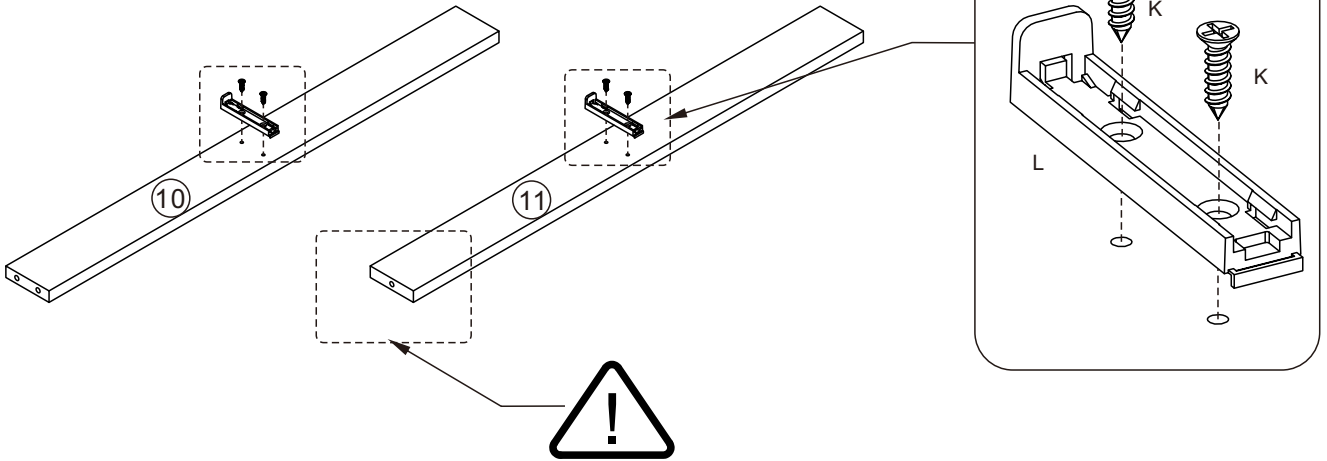
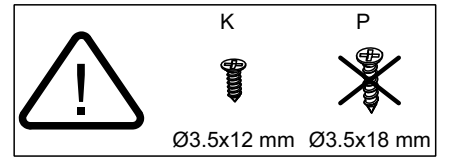
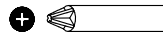
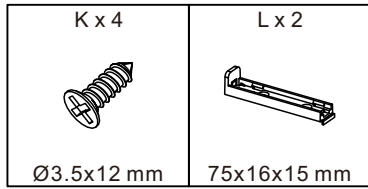
# 5



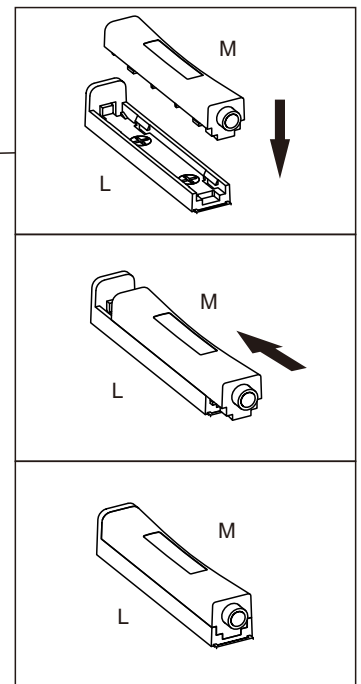
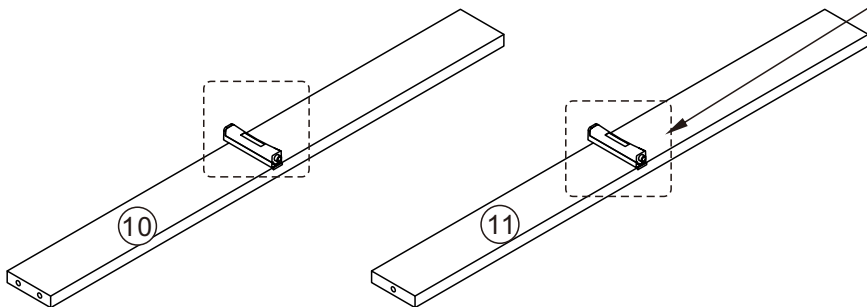
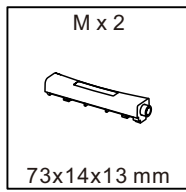
# 6



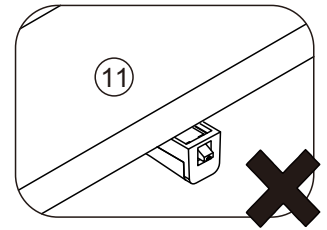
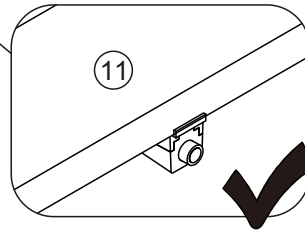
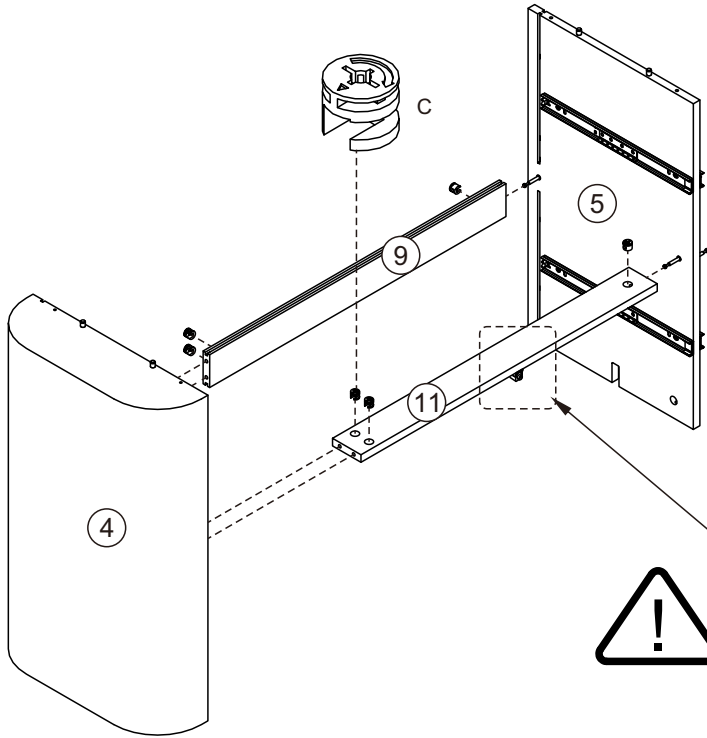
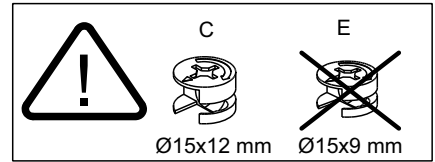
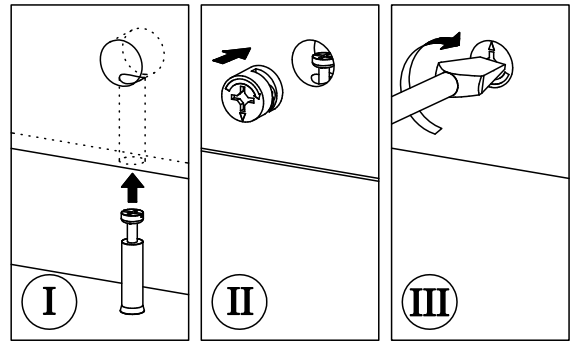
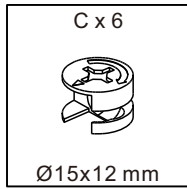
# 7



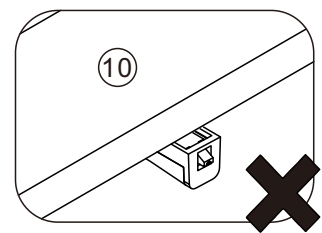
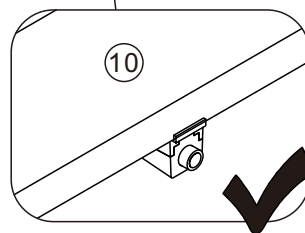
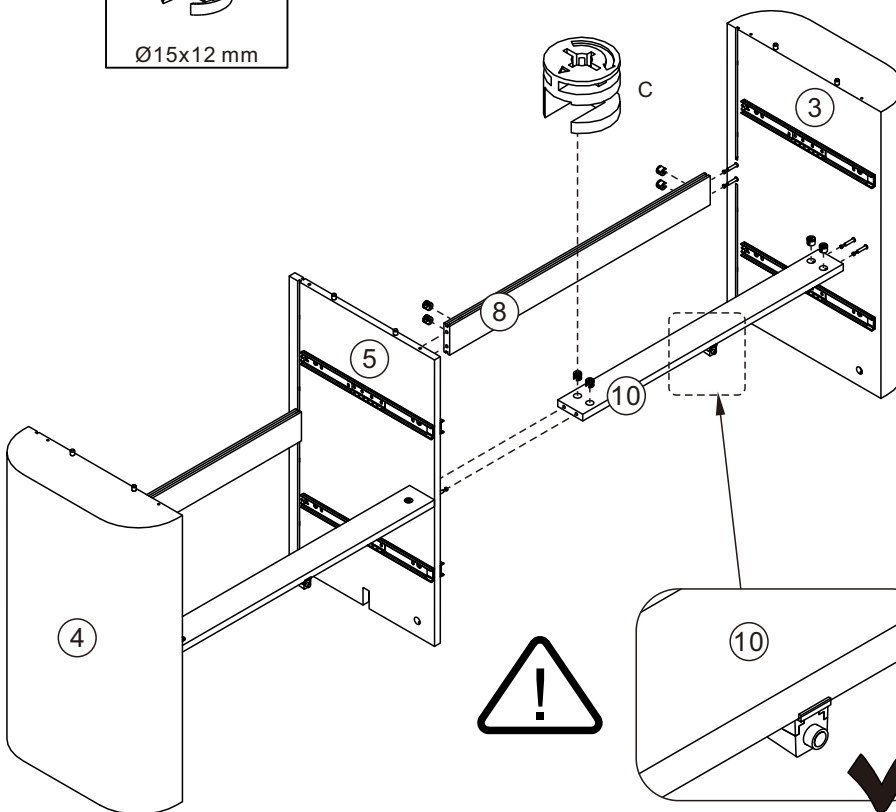
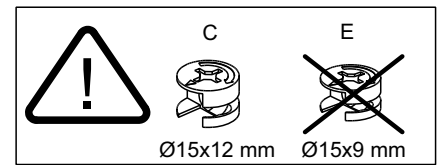
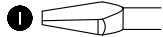
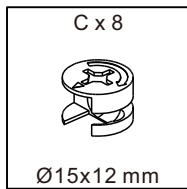
# 8



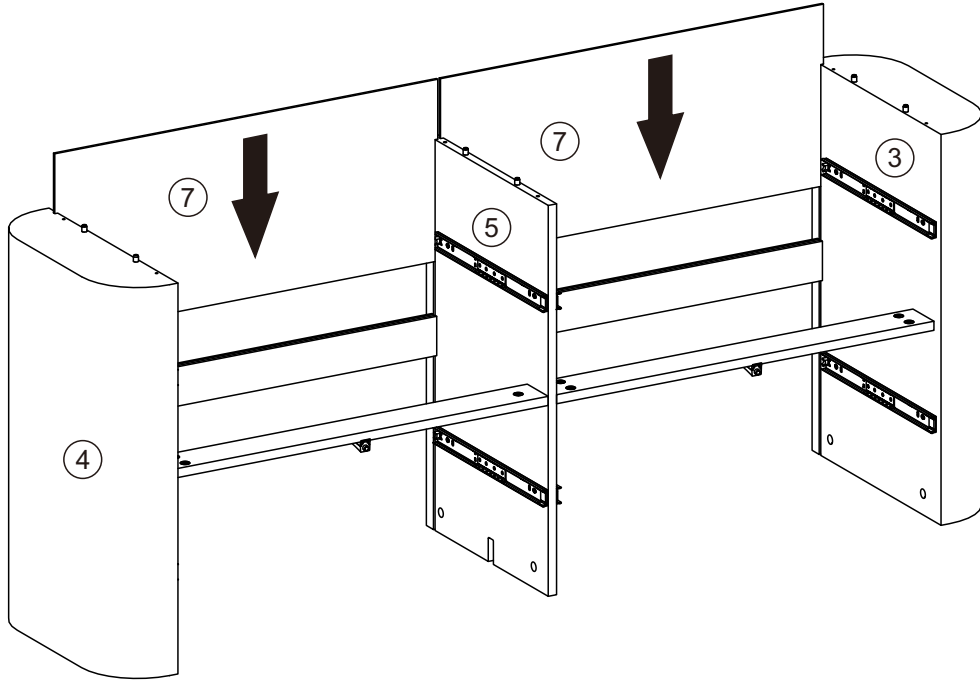
# 9



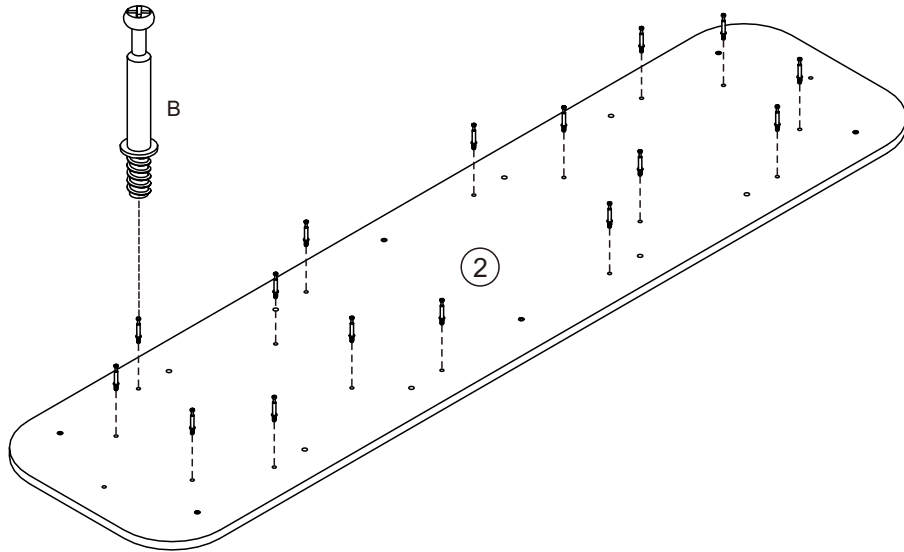
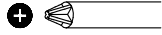
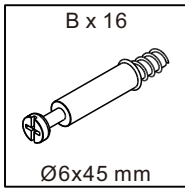
# 10



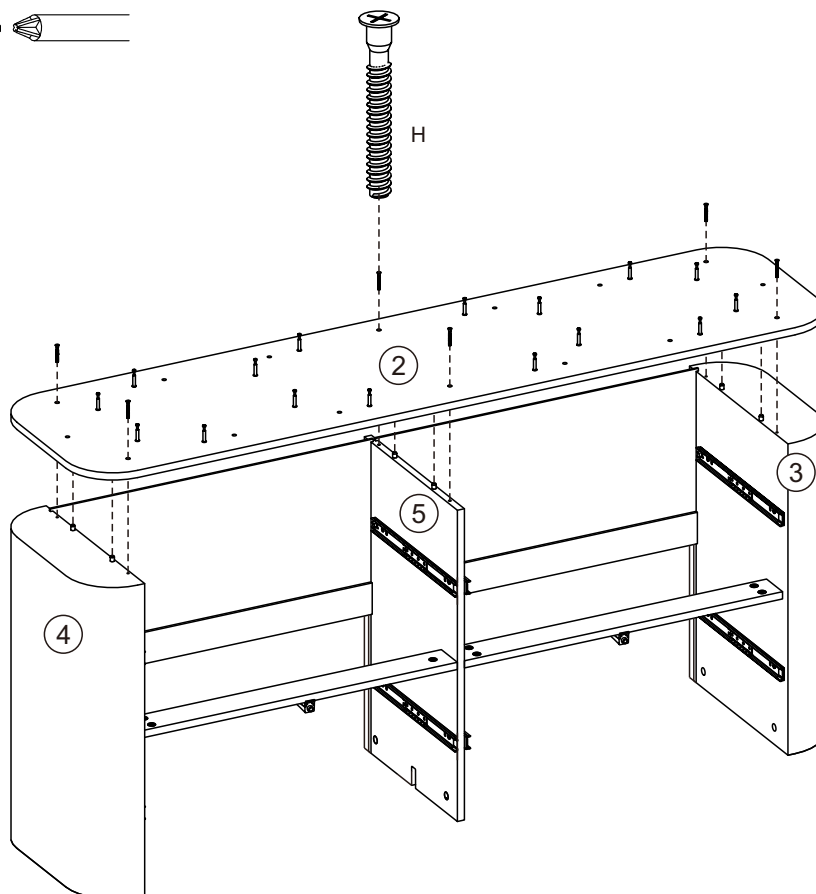
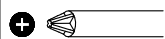
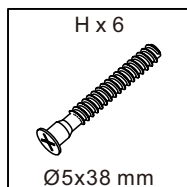
# 11



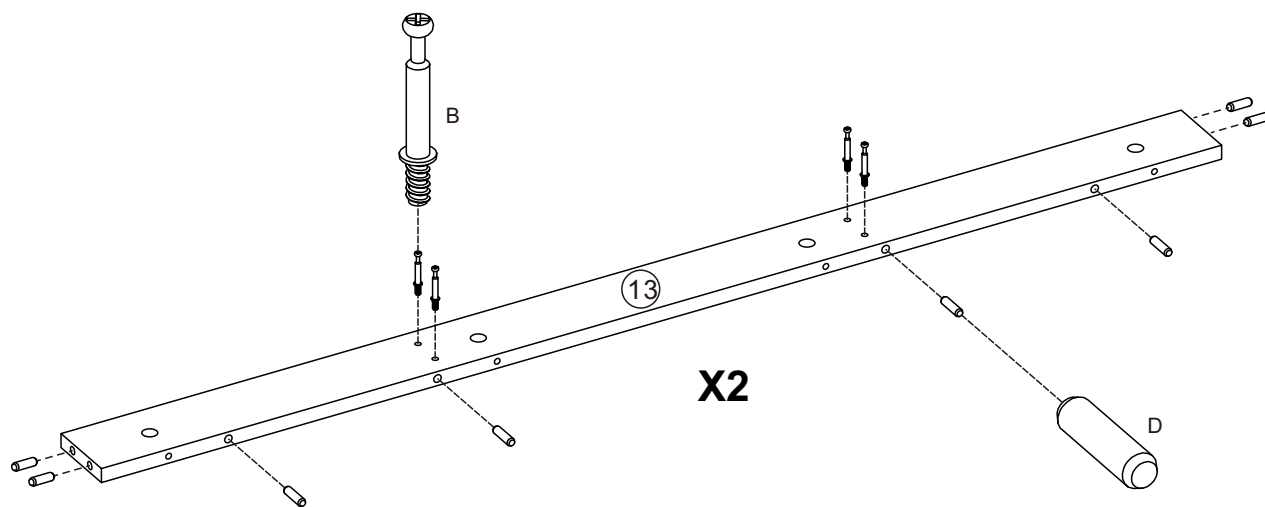
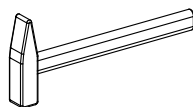
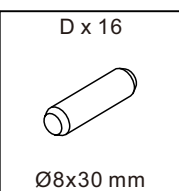
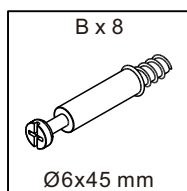
# 12



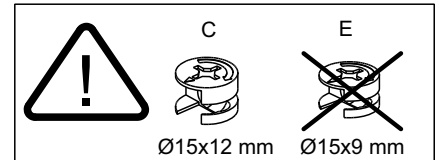
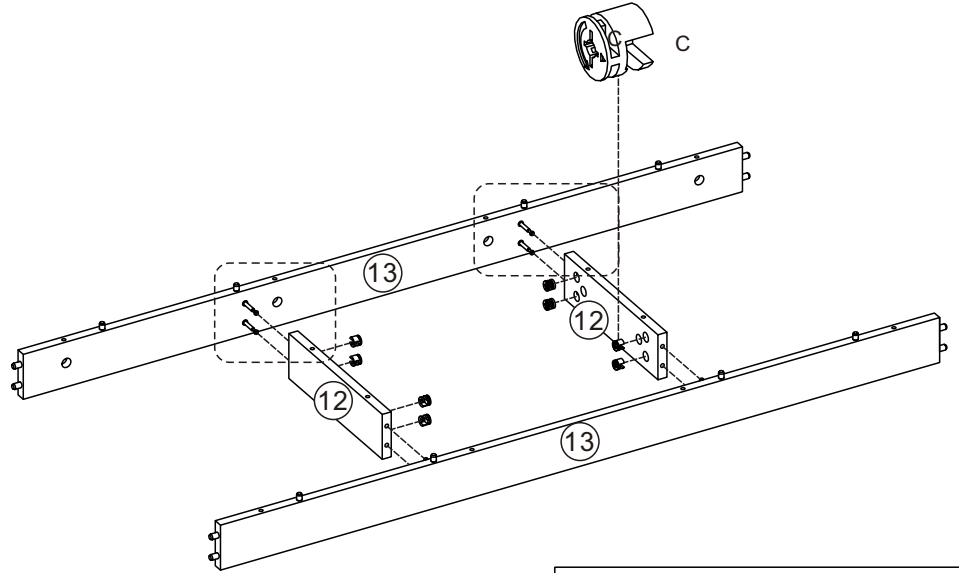
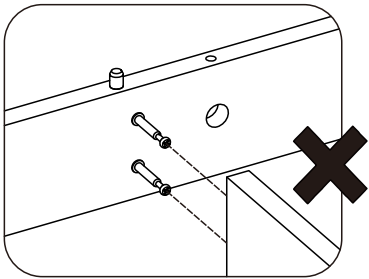
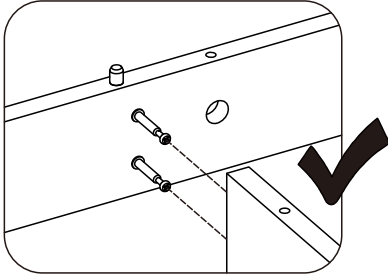
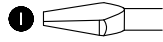
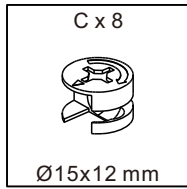
# 13



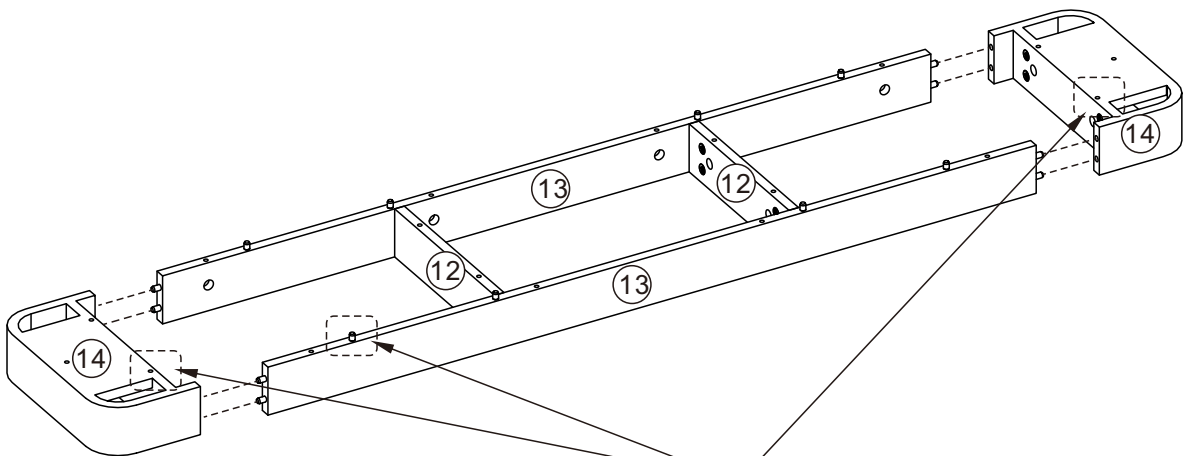
# 14



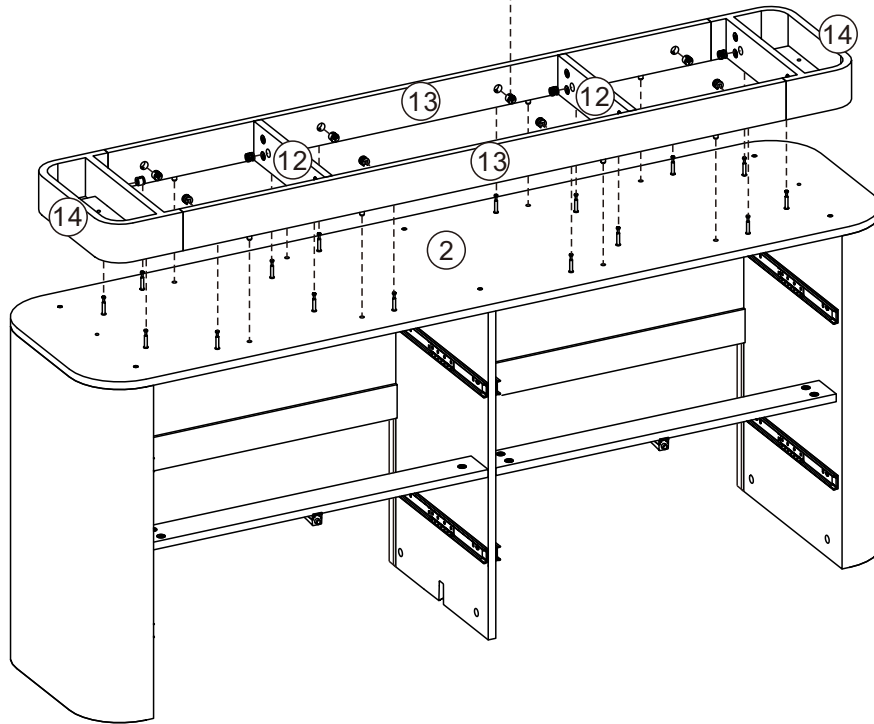
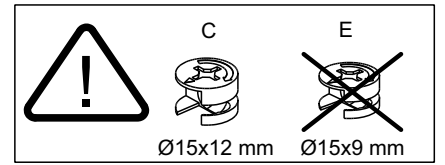
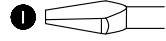
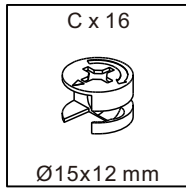
# 15



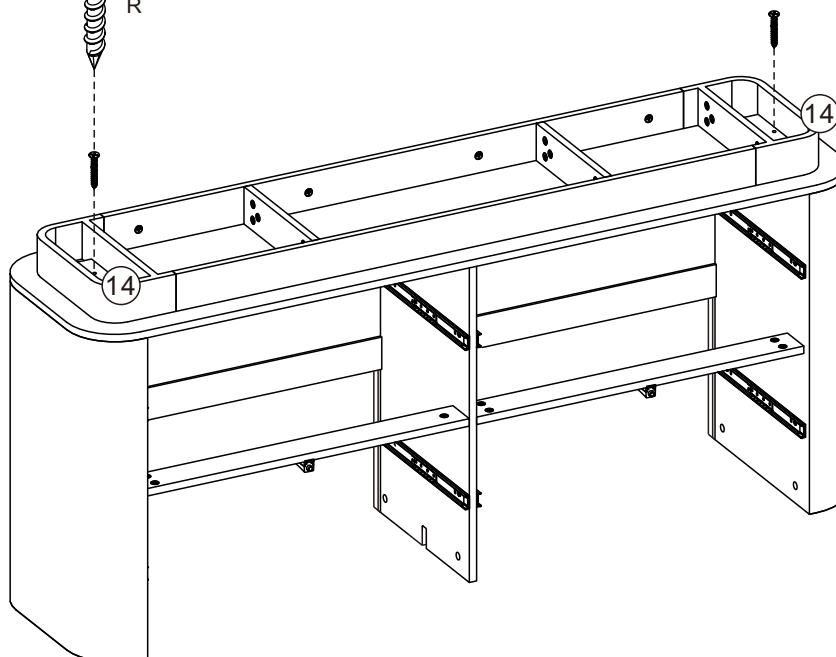
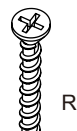
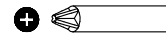
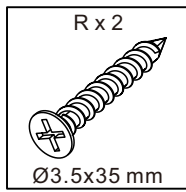
# 16



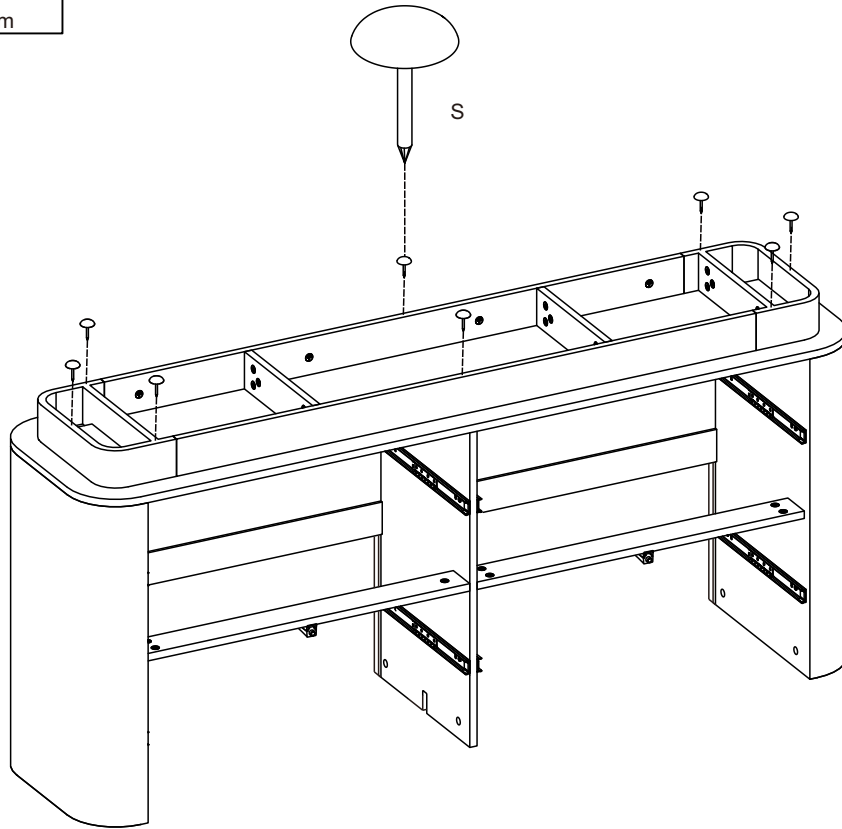
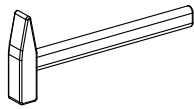
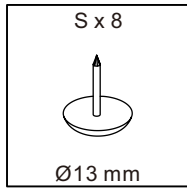
# 17



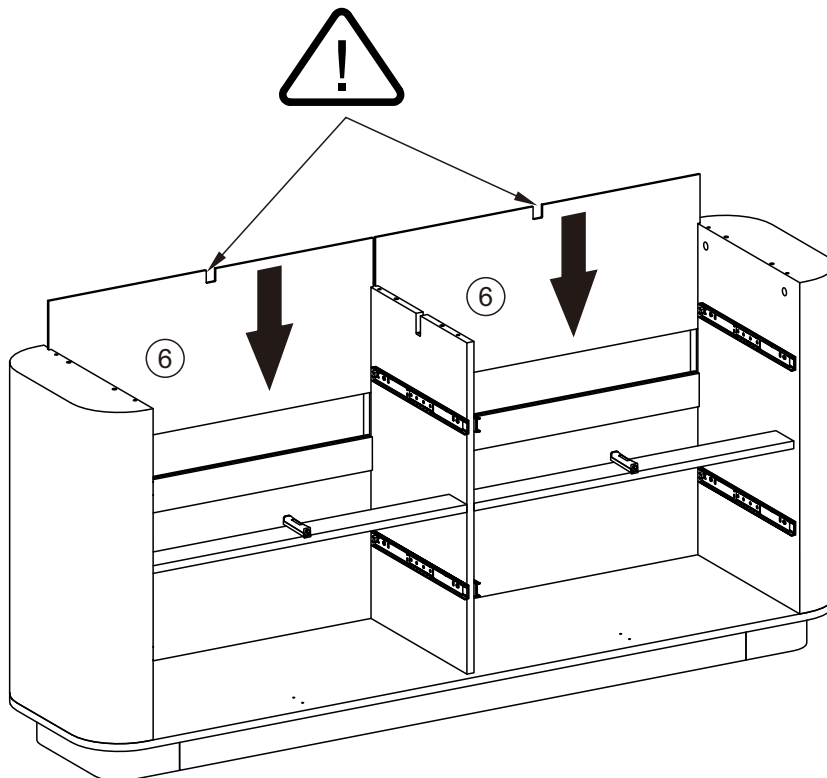
# 18



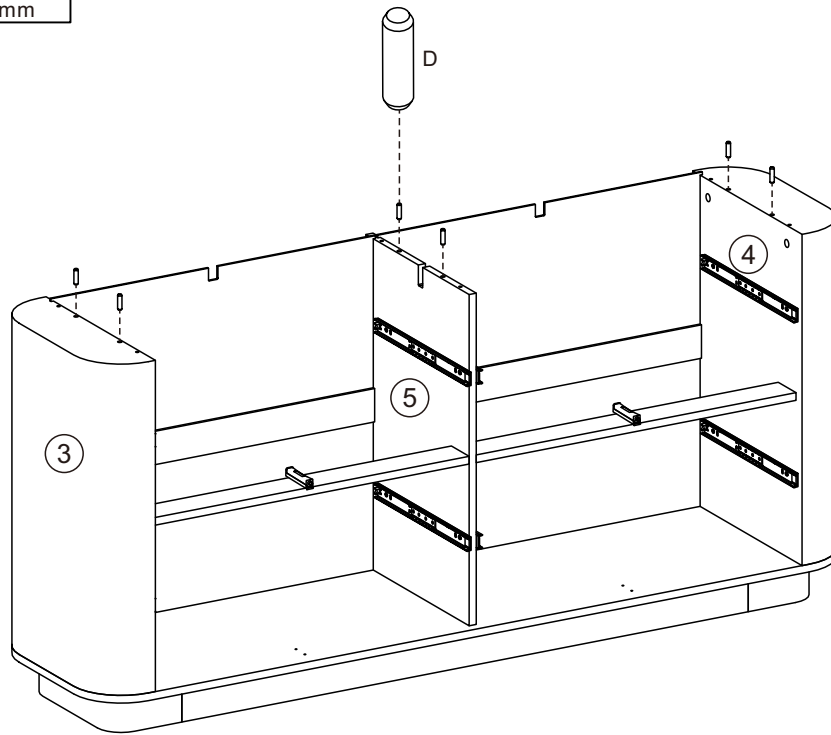
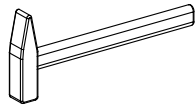
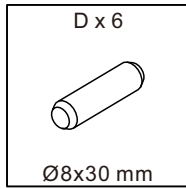
# 19



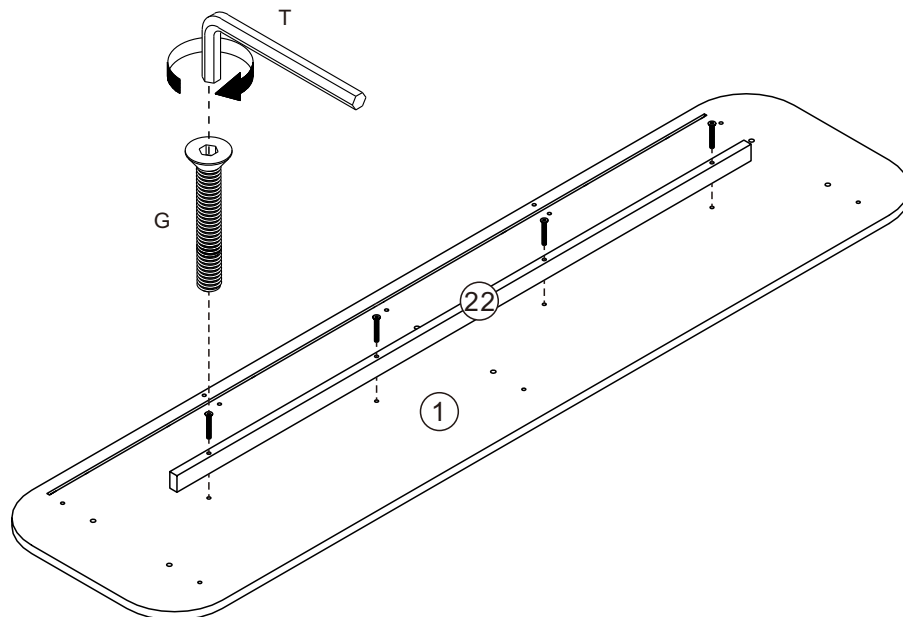
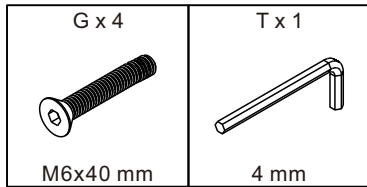
# 20



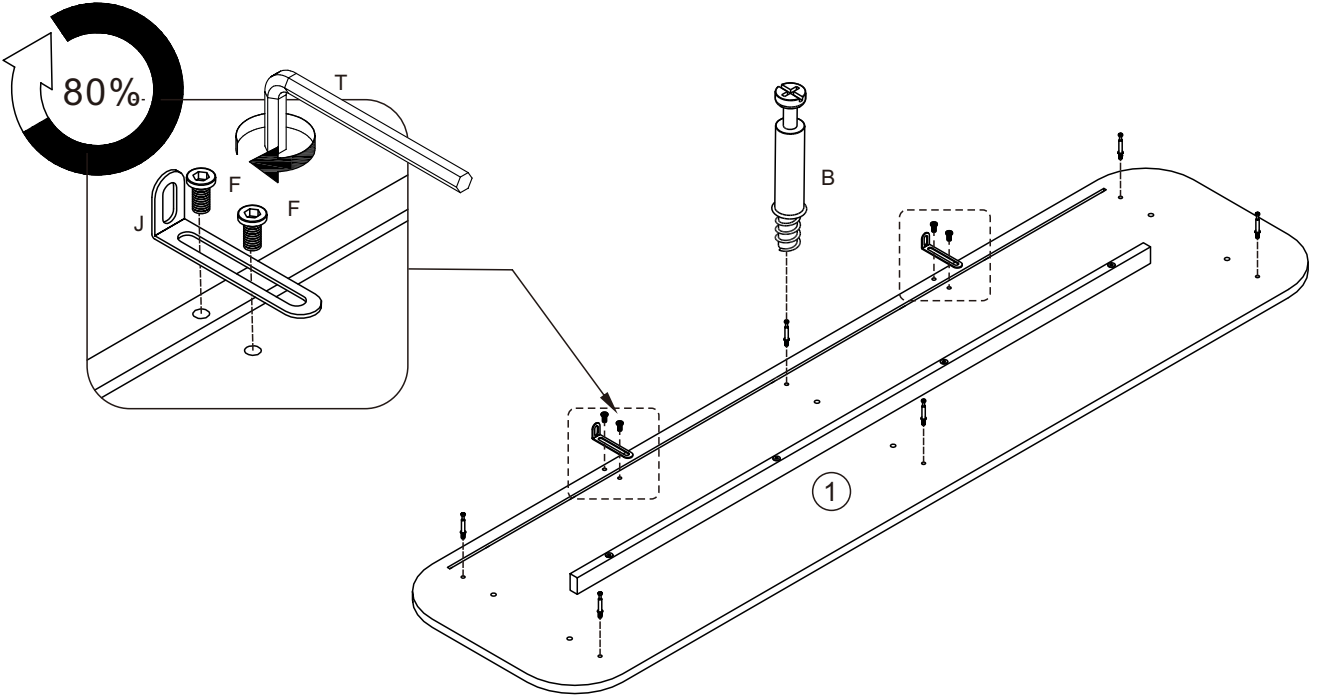
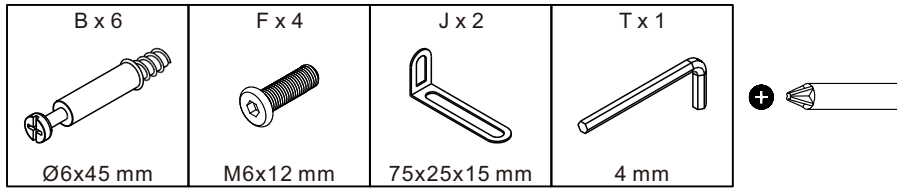
# 21



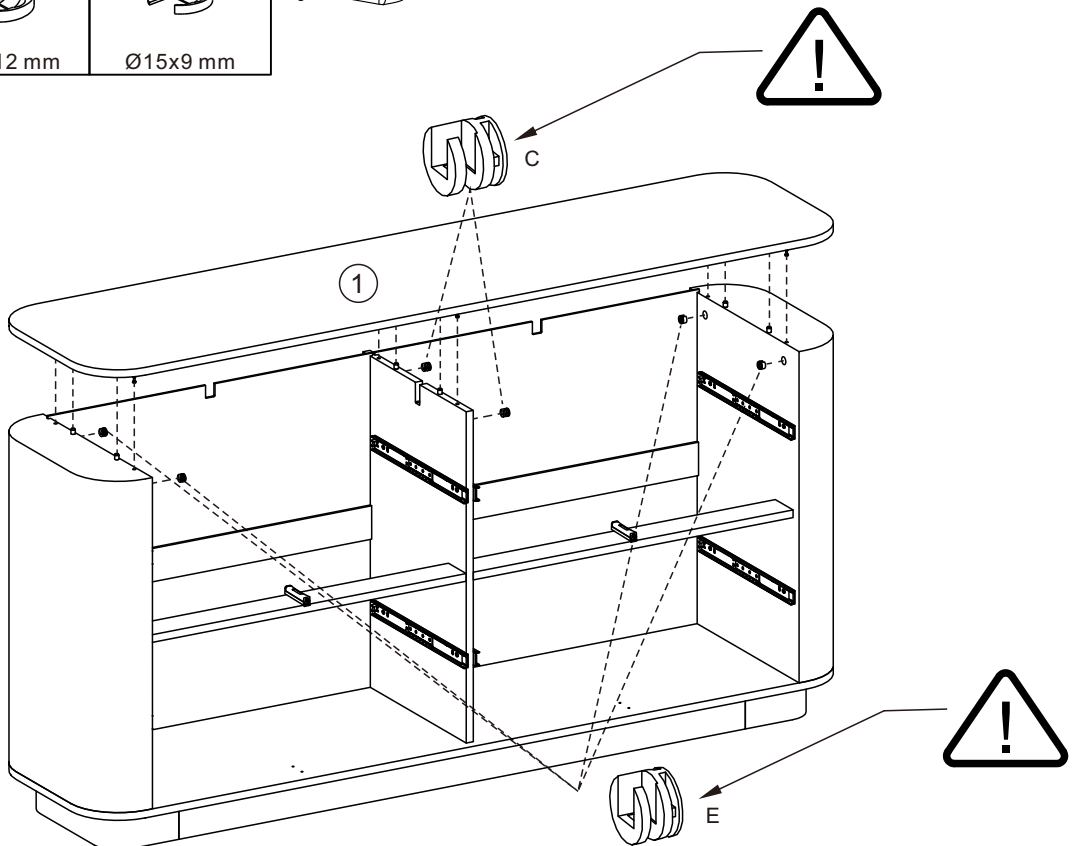
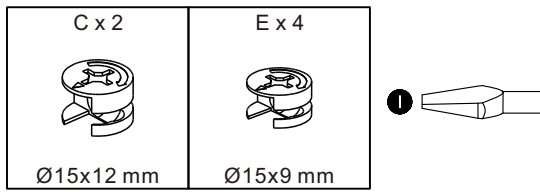
# 22



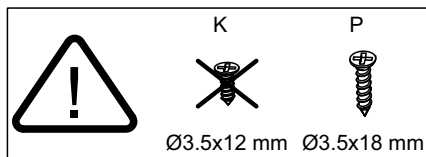
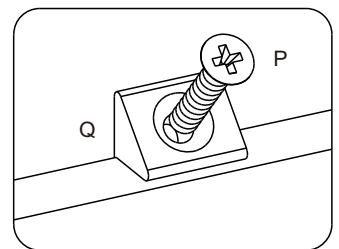
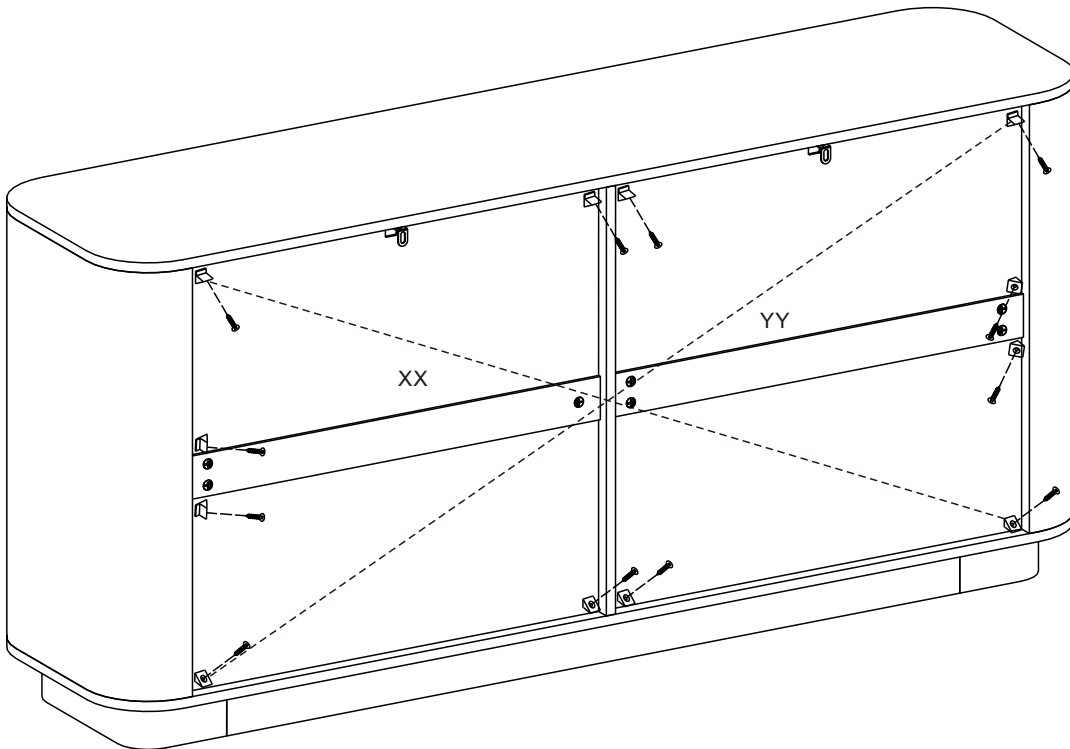
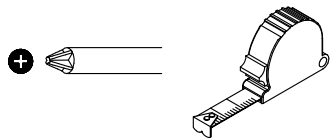
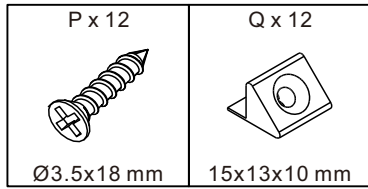
# 23



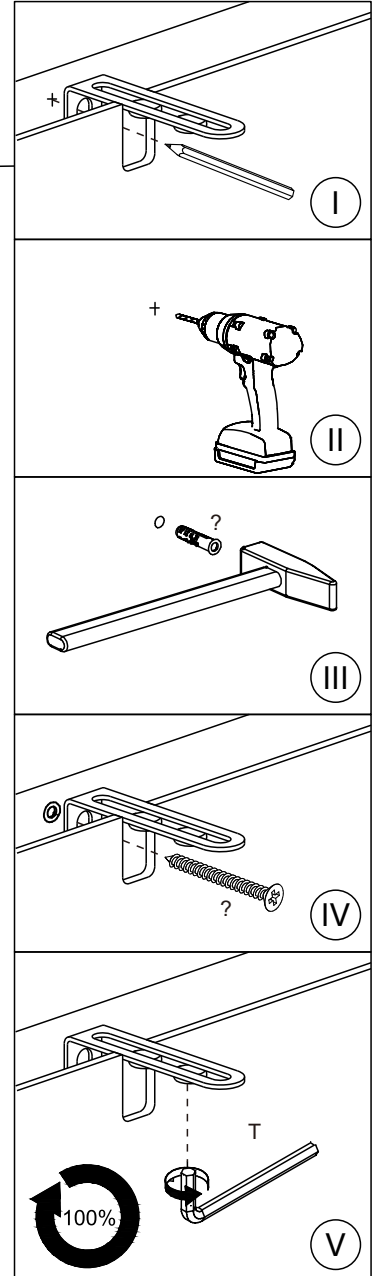
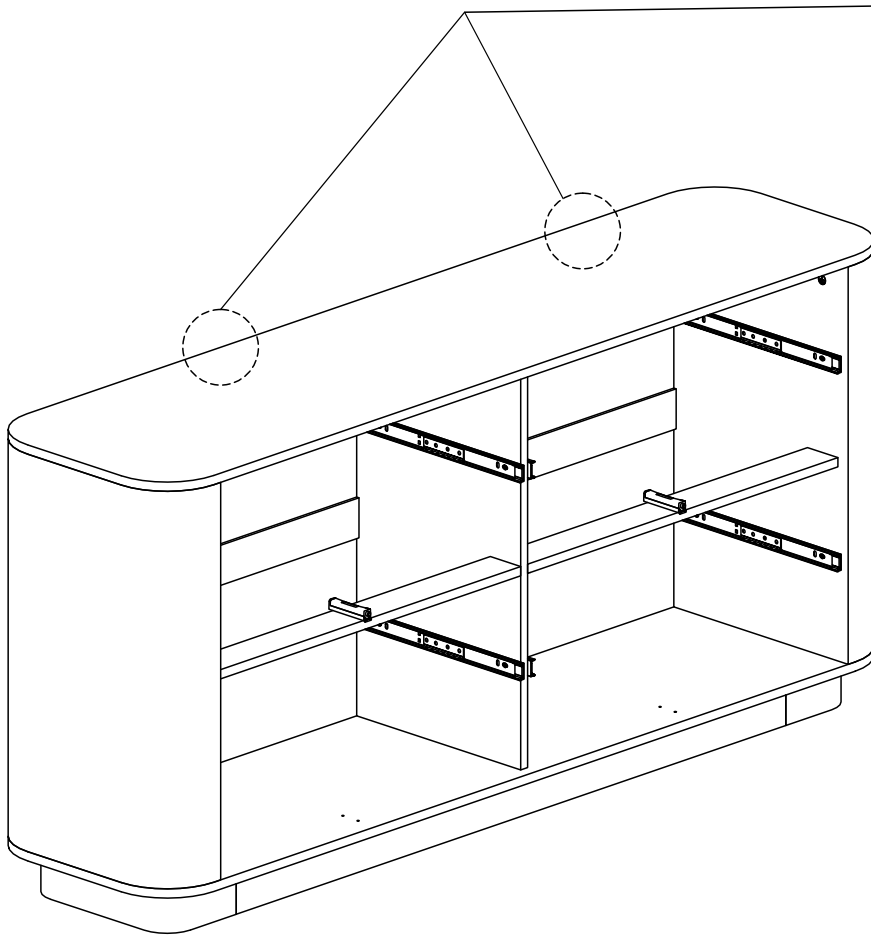
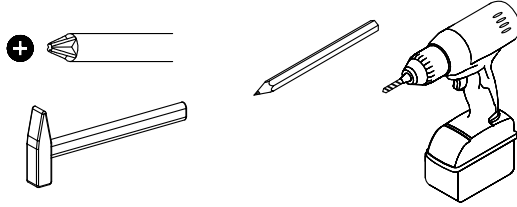
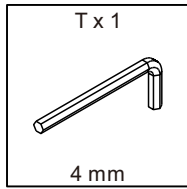
# 24



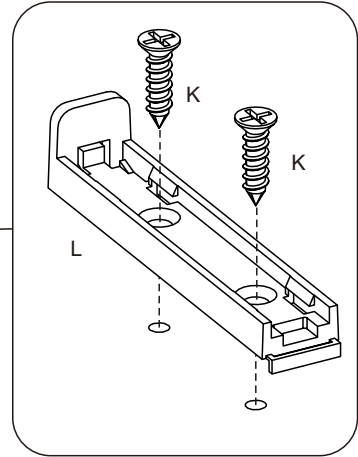
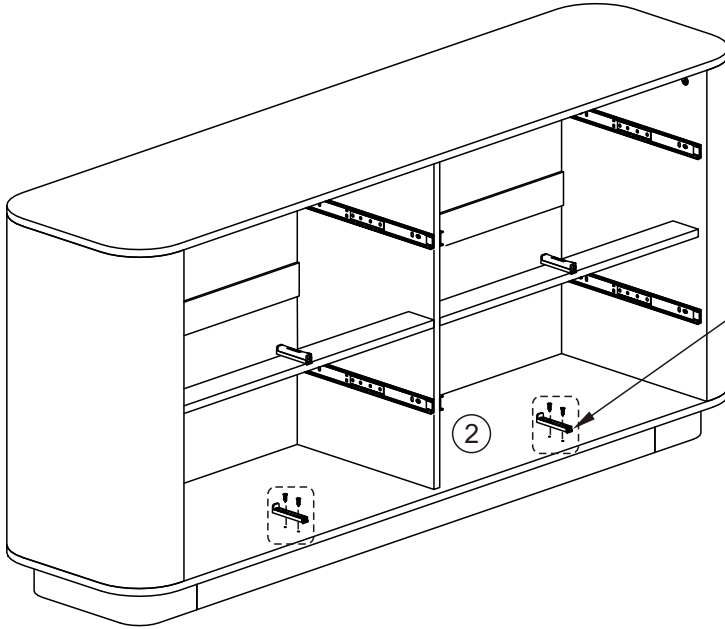
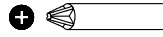
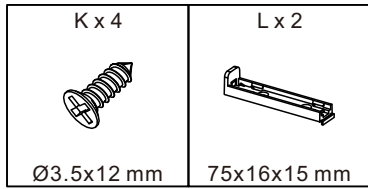
# 25



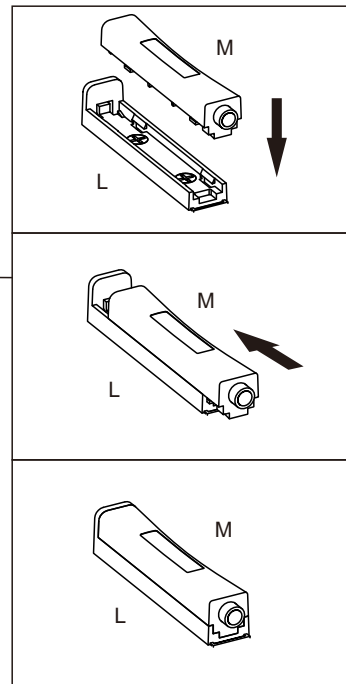
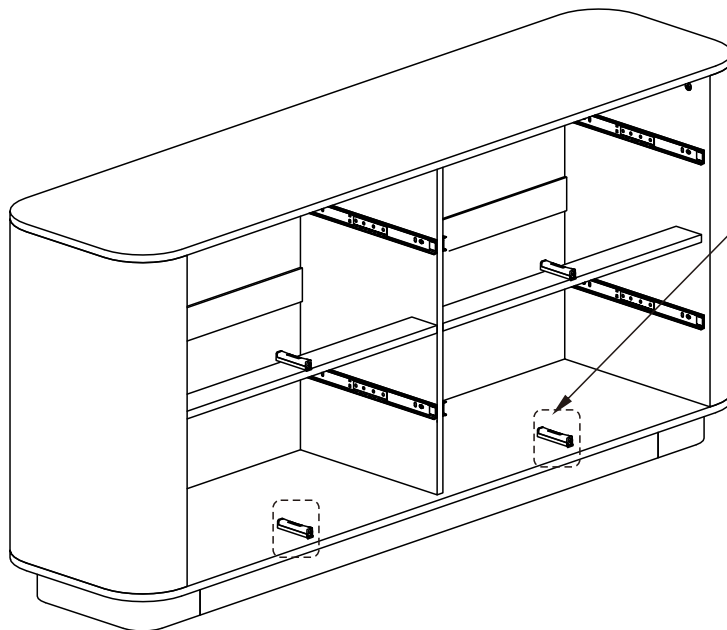
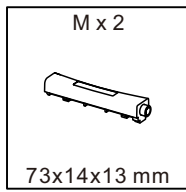
# 26



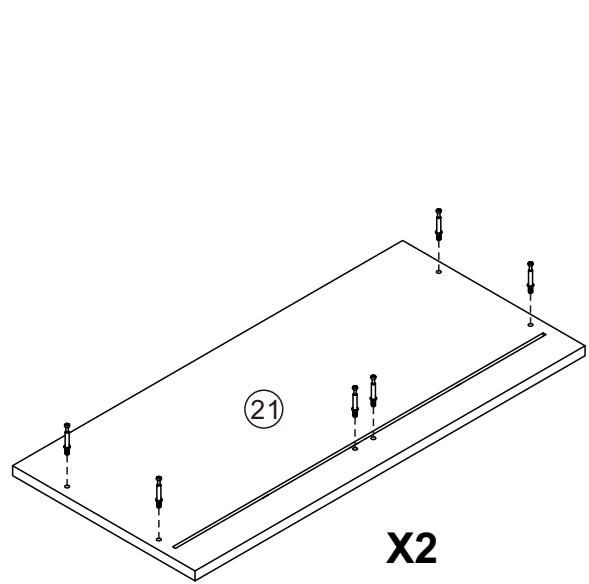
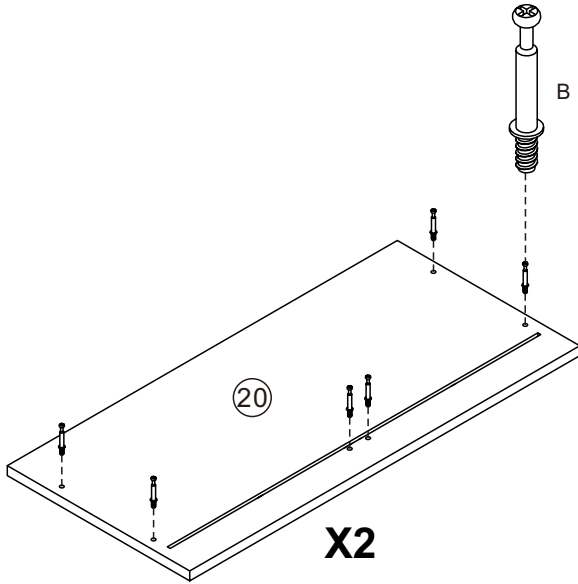
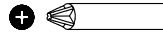
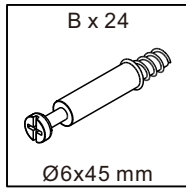
# 27



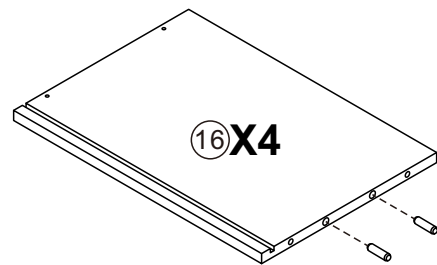
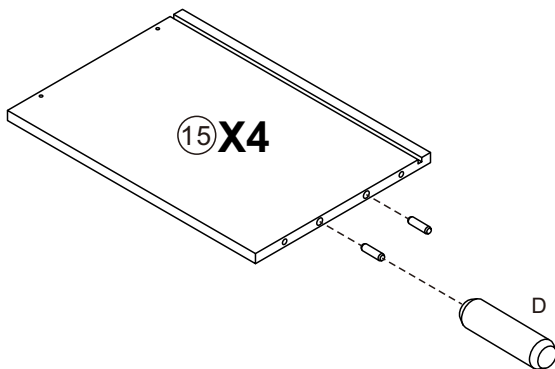
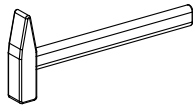
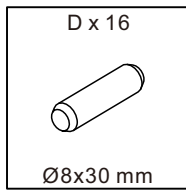
# 28



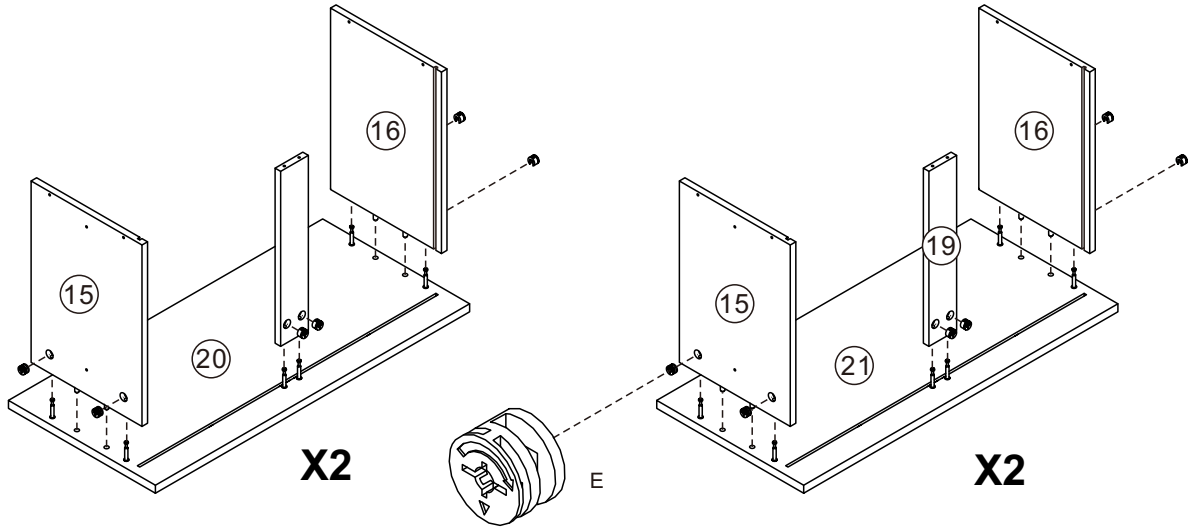
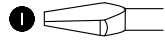
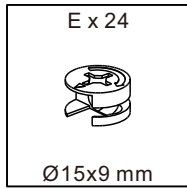
# 29



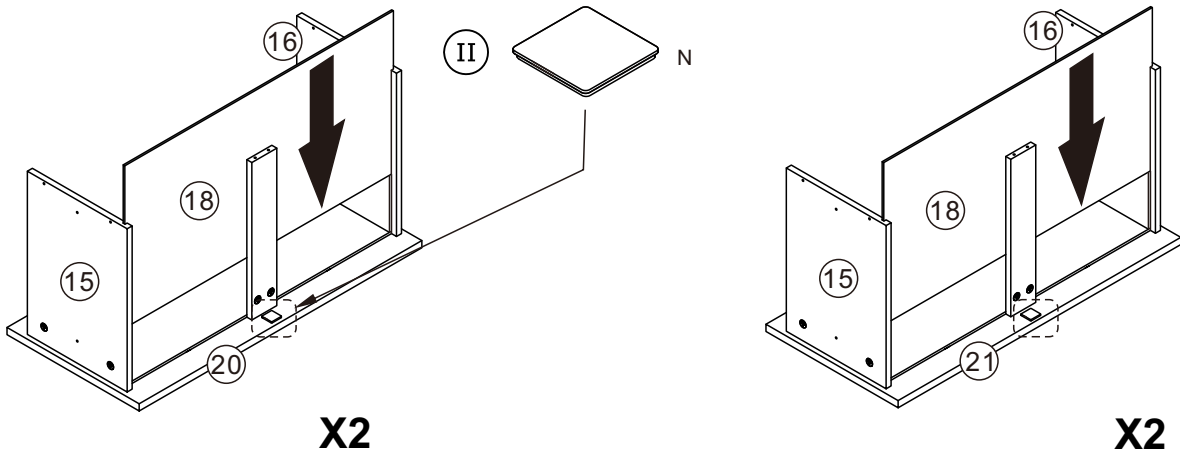
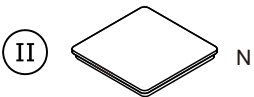
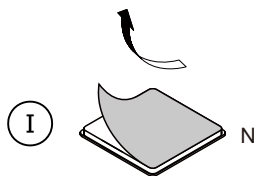
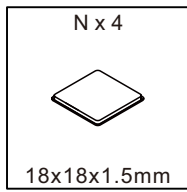
# 30



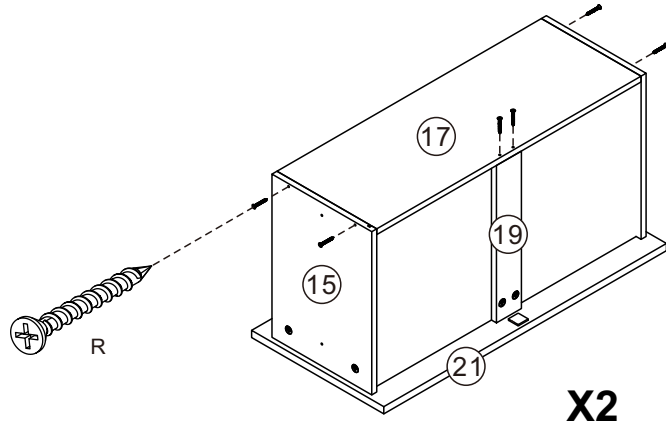
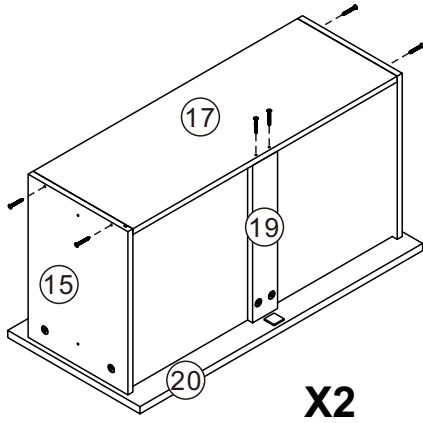
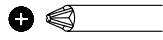
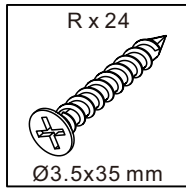
# 31



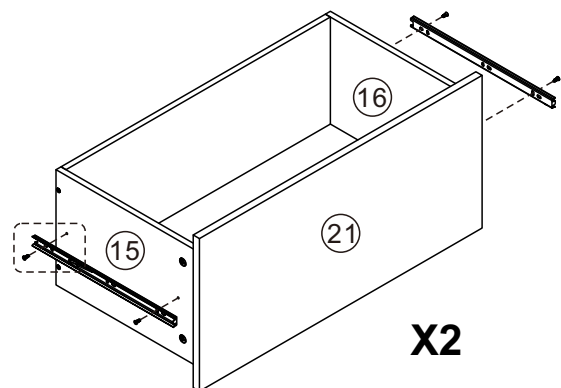
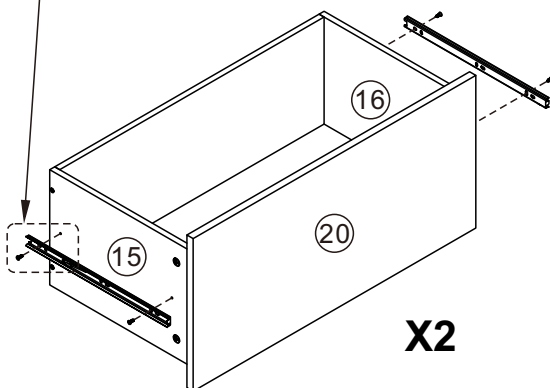
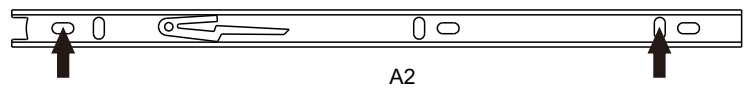
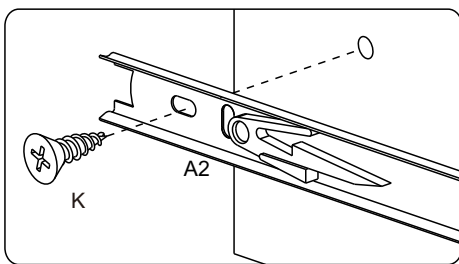
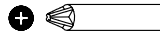
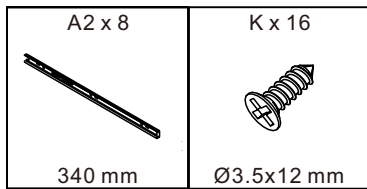
# 32



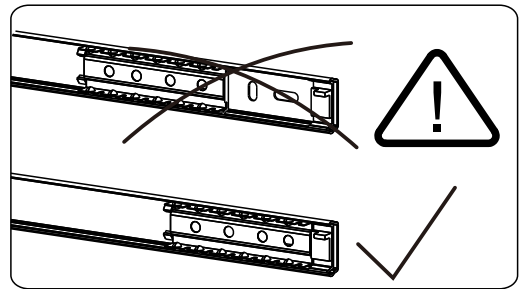
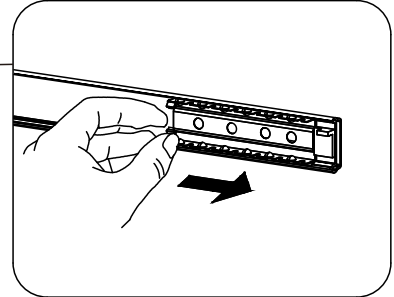
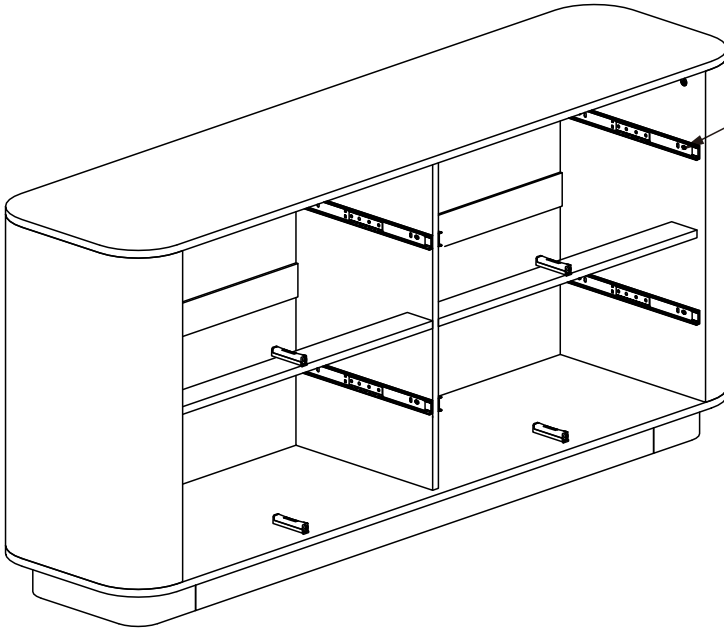
# 33



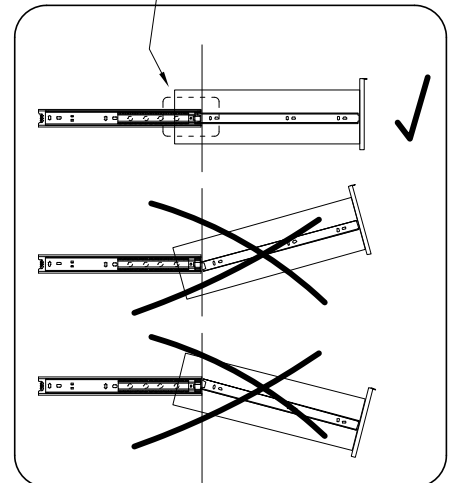
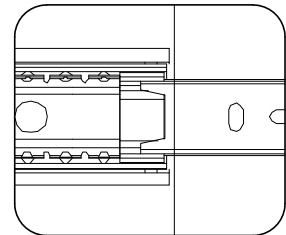
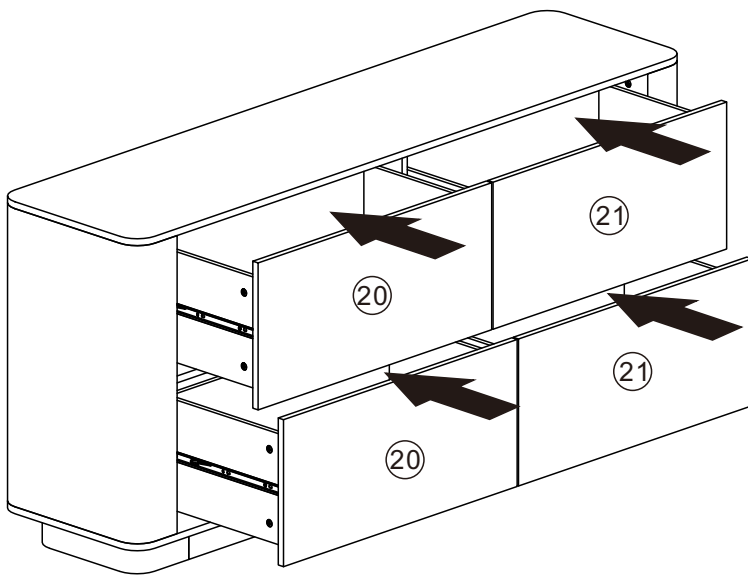
# 34



# 35



# 36



# 37

