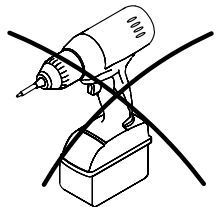
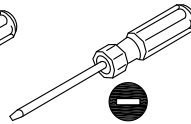
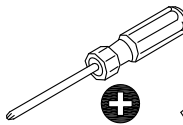
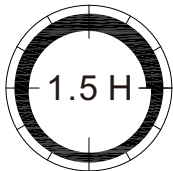
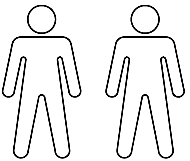
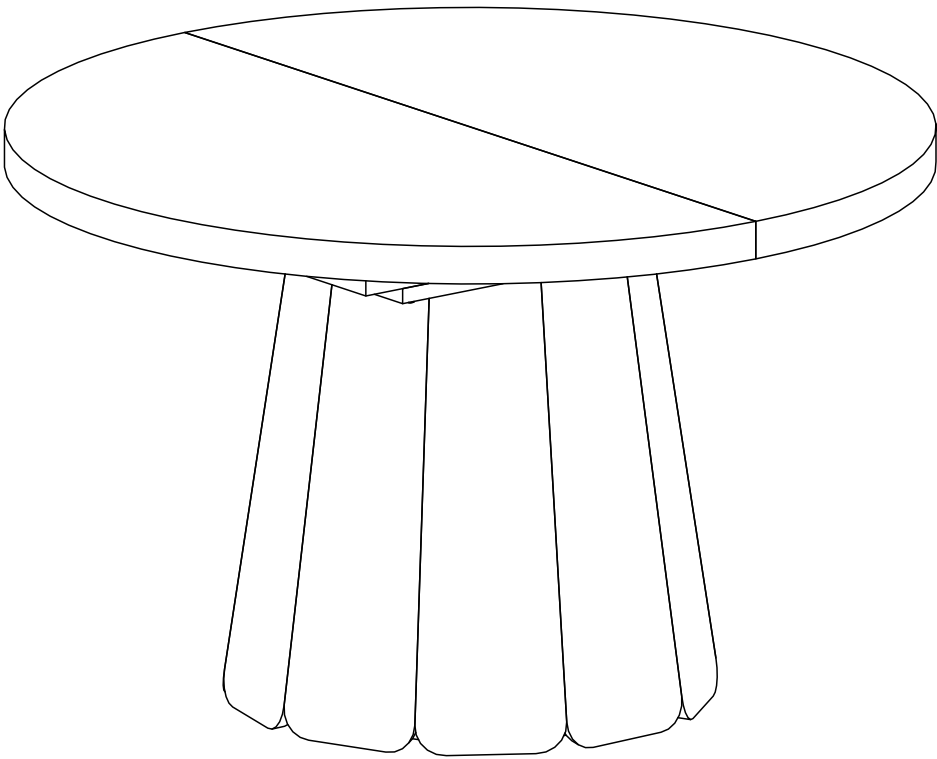
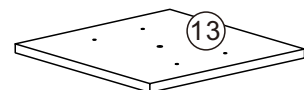
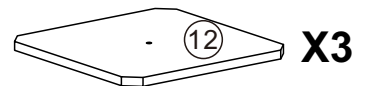
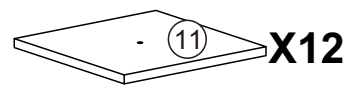
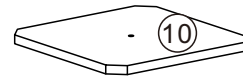
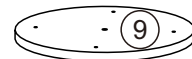
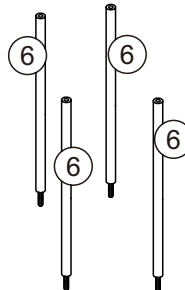
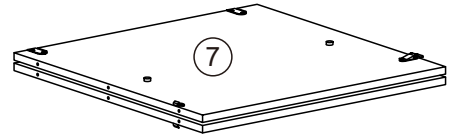
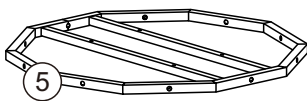
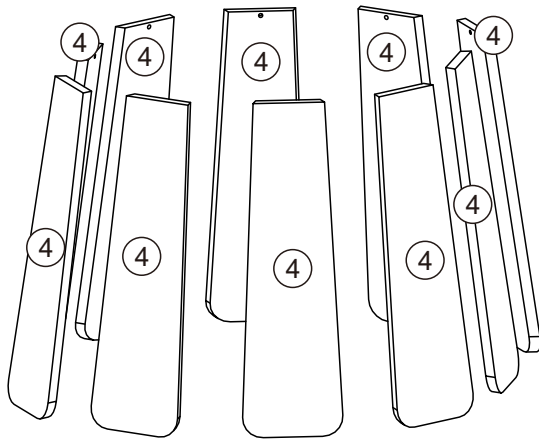
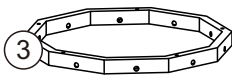
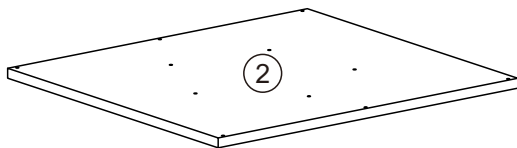
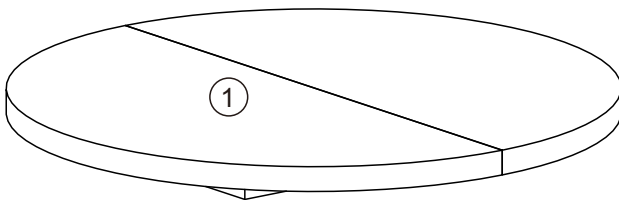


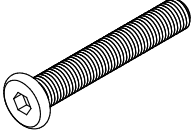
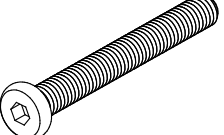
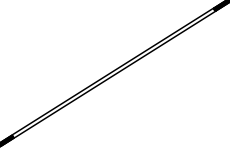
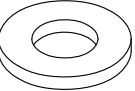

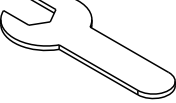
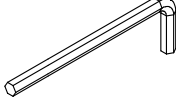
# ATMORE



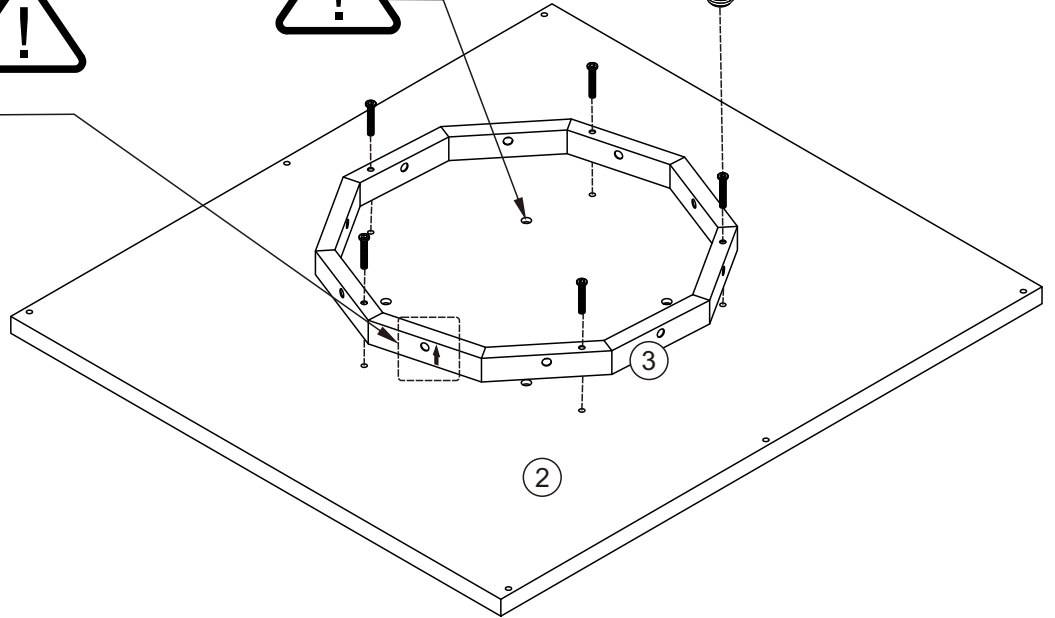
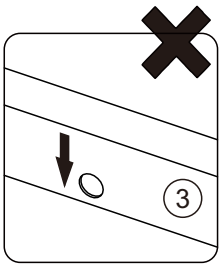
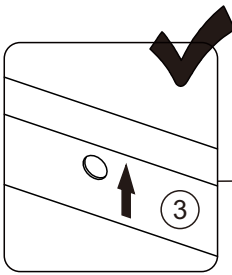
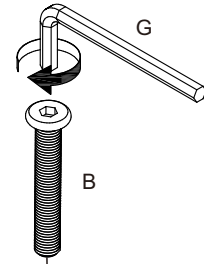
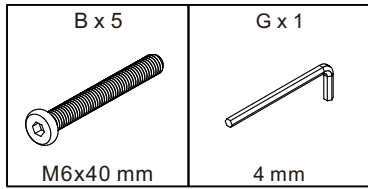
			✓
①	1	Ø1200x80	
②	1	740x668x25	
③	1	390x390x30	
④	10	656x200x25	
⑤	1	614x584x18	
⑥	4	Ø13x300	
⑦	1	610x608x47	

			✓
⑧	1	665x20x20	
⑨	1	Ø350x18	
⑩	1	350x350x18	
⑪	12	350x350x18	
⑫	3	400x400x18	
⑬	1	400x400x18	

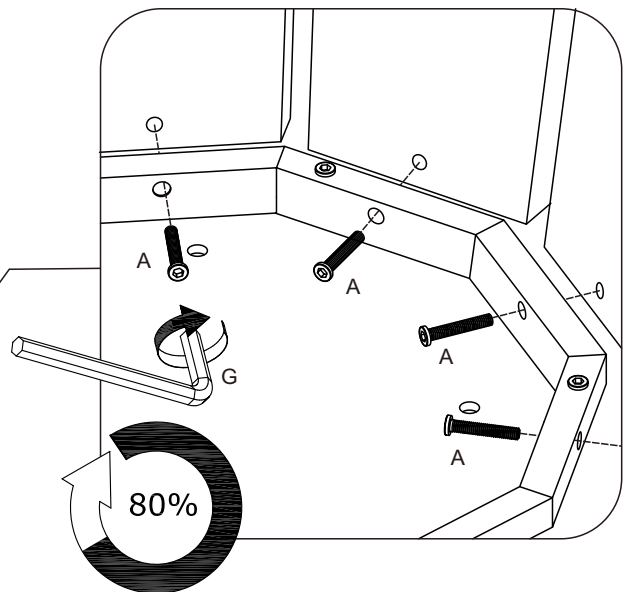
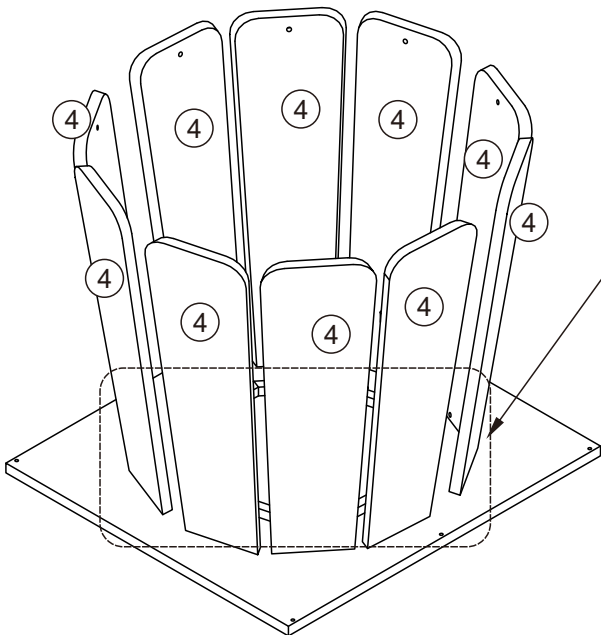
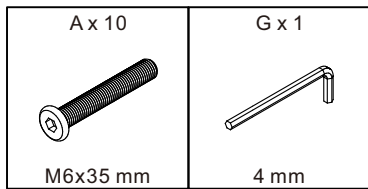


<p>A x 28</p>  <p>M6x35 mm</p>	<p>B x 11</p>  <p>M6x40 mm</p>	<p>C x 1</p>  <p>Ø6x330 mm</p>	<p>D x 7</p>  <p>Ø6.5/Ø13 mm</p>	<p>E x 1</p>  <p>M6/10 mm</p>
<p>F x 1</p>  <p>10 mm</p>	<p>G x 1</p>  <p>4 mm</p>			

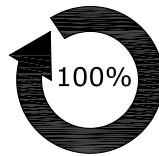
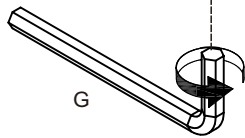
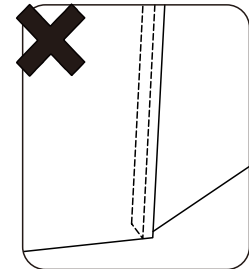
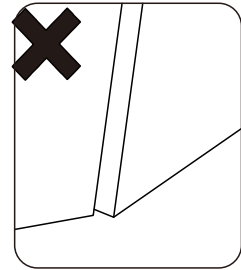
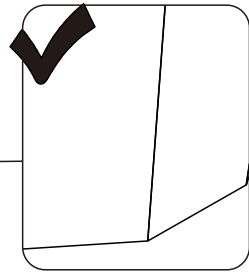
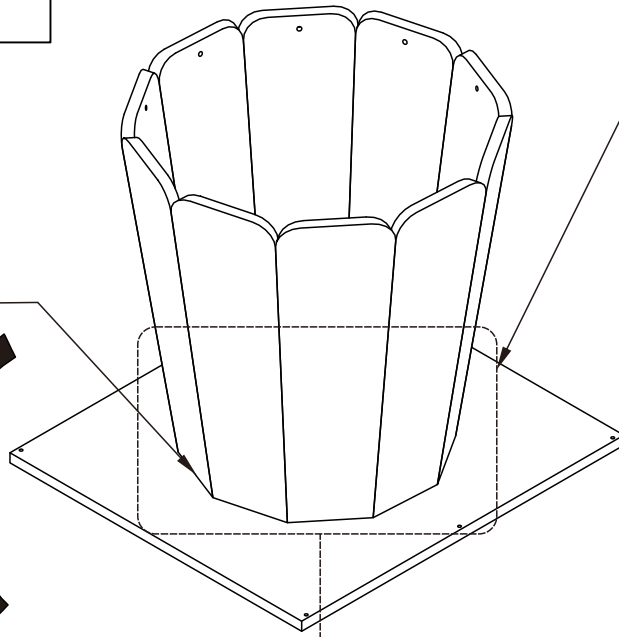
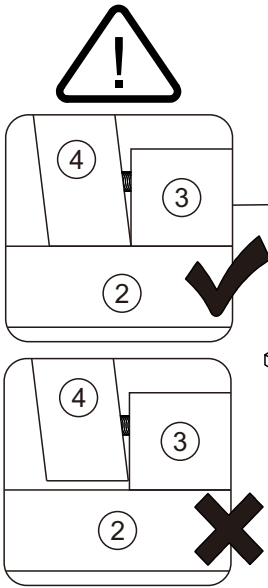
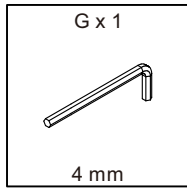
# 1



# 2

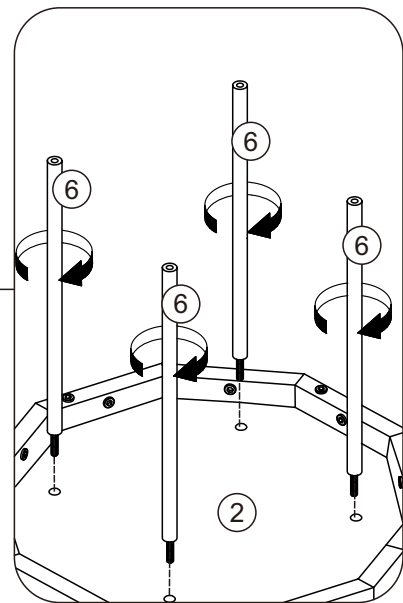
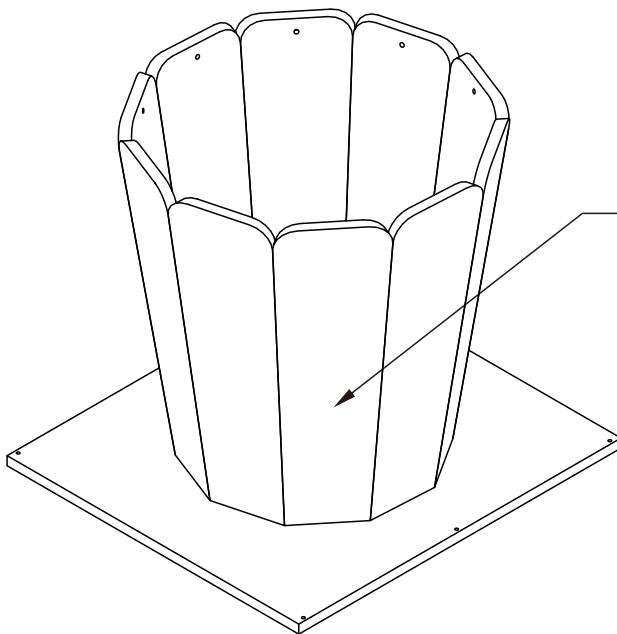


# 3

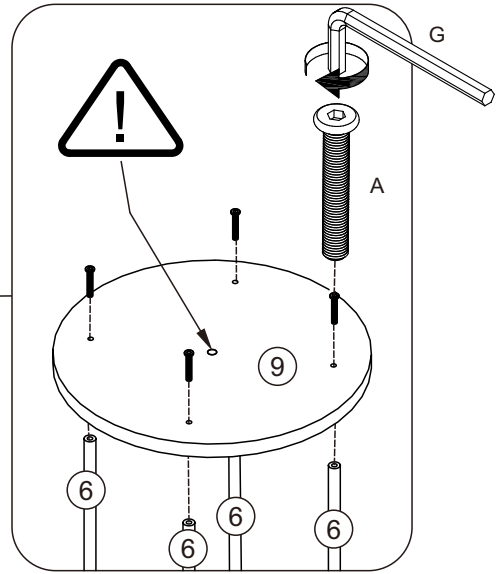
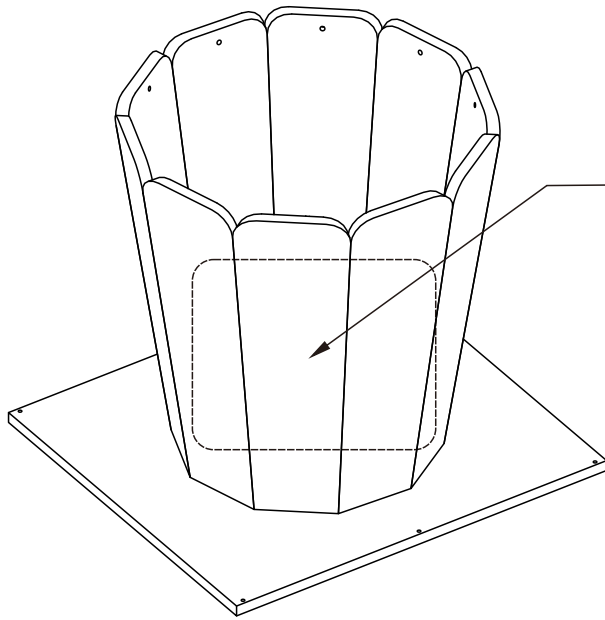
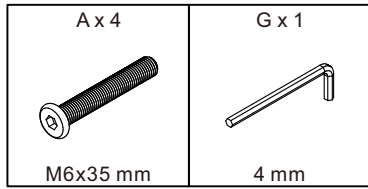


Ax10

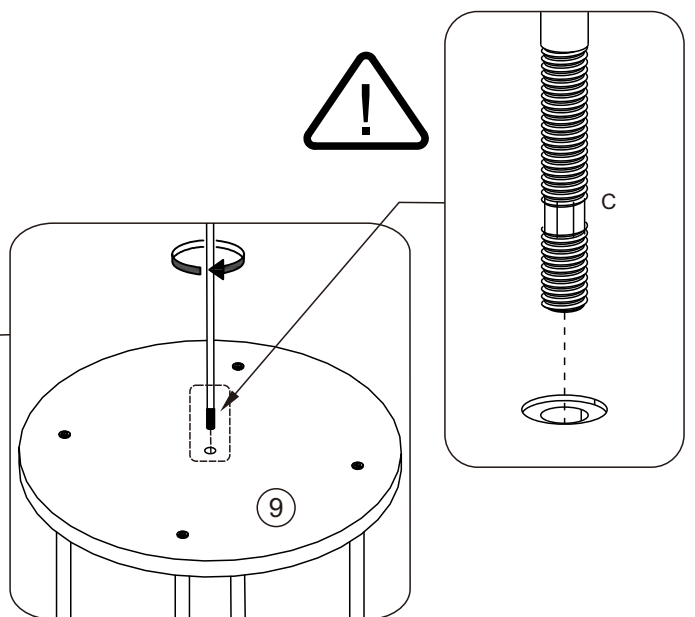
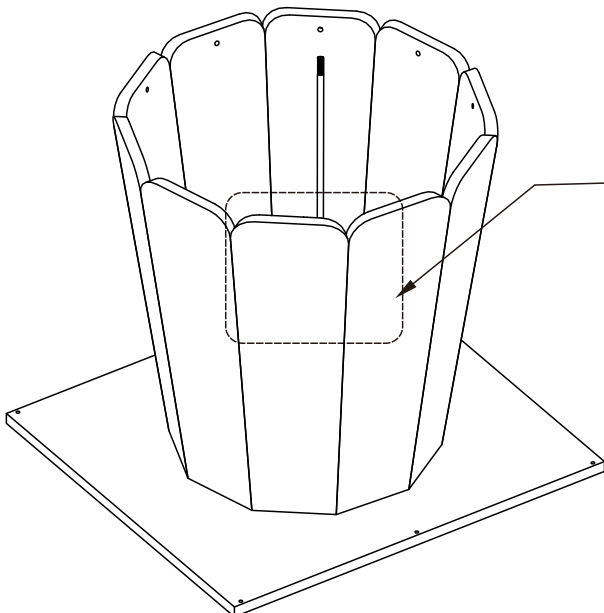
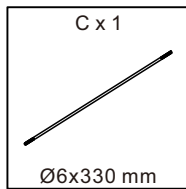
# 4






# 5

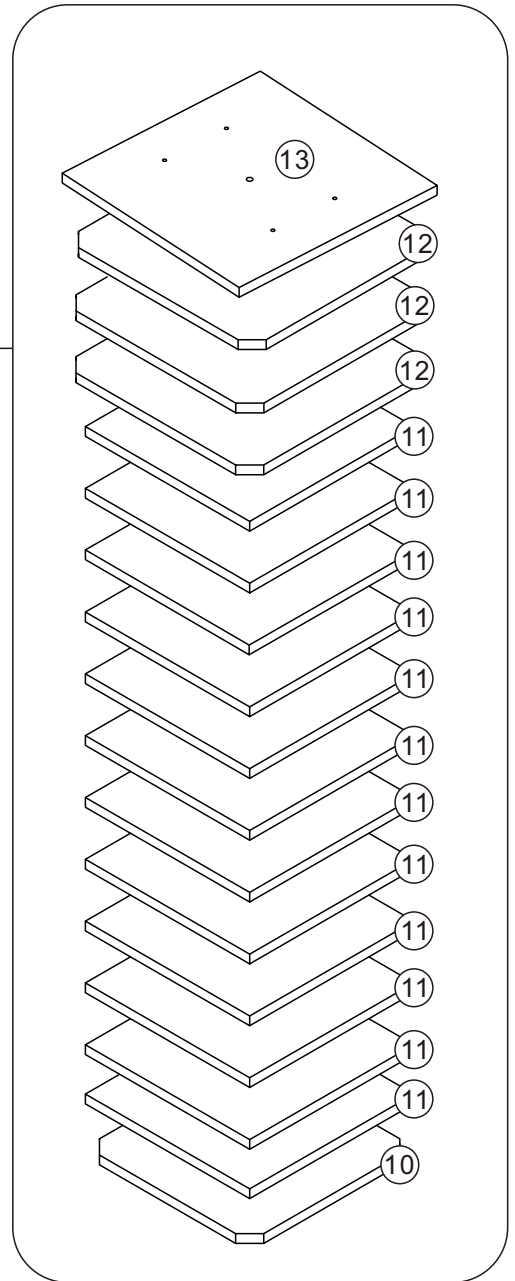
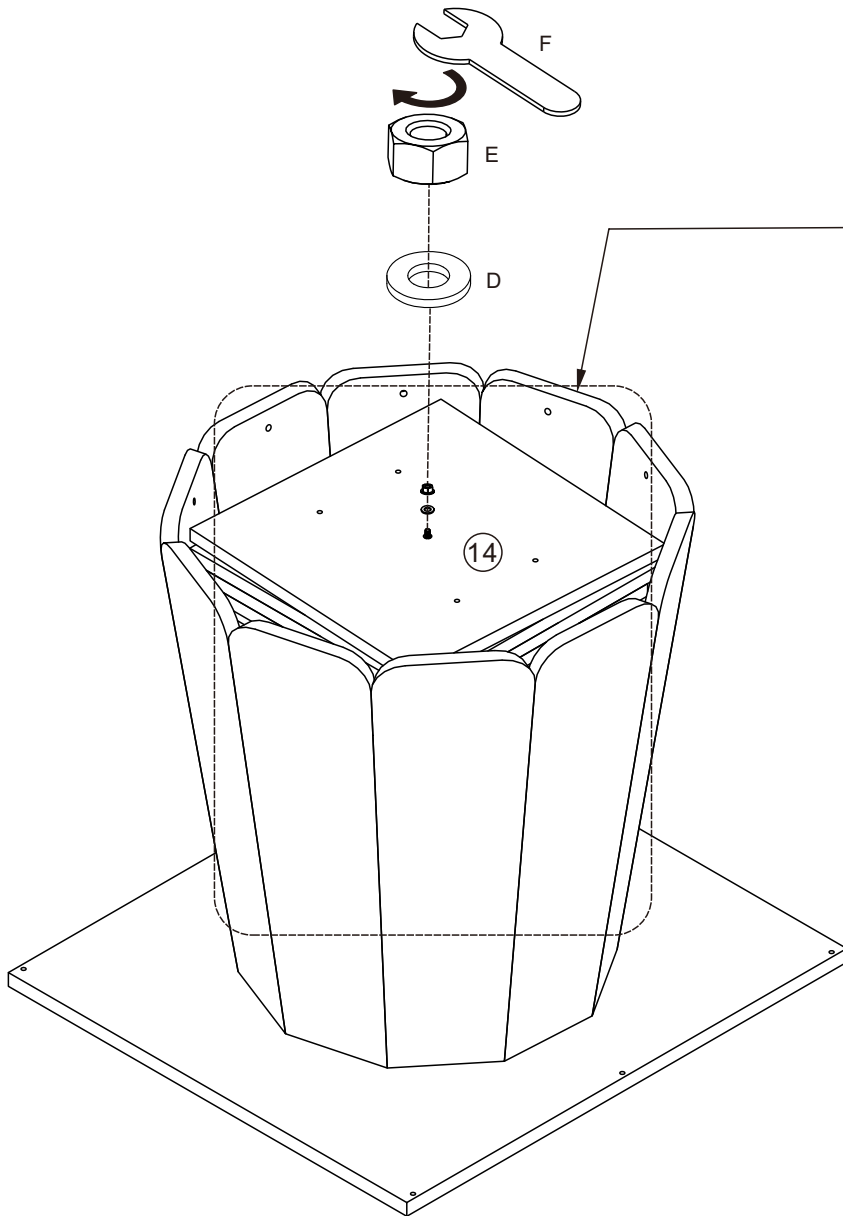


# 6

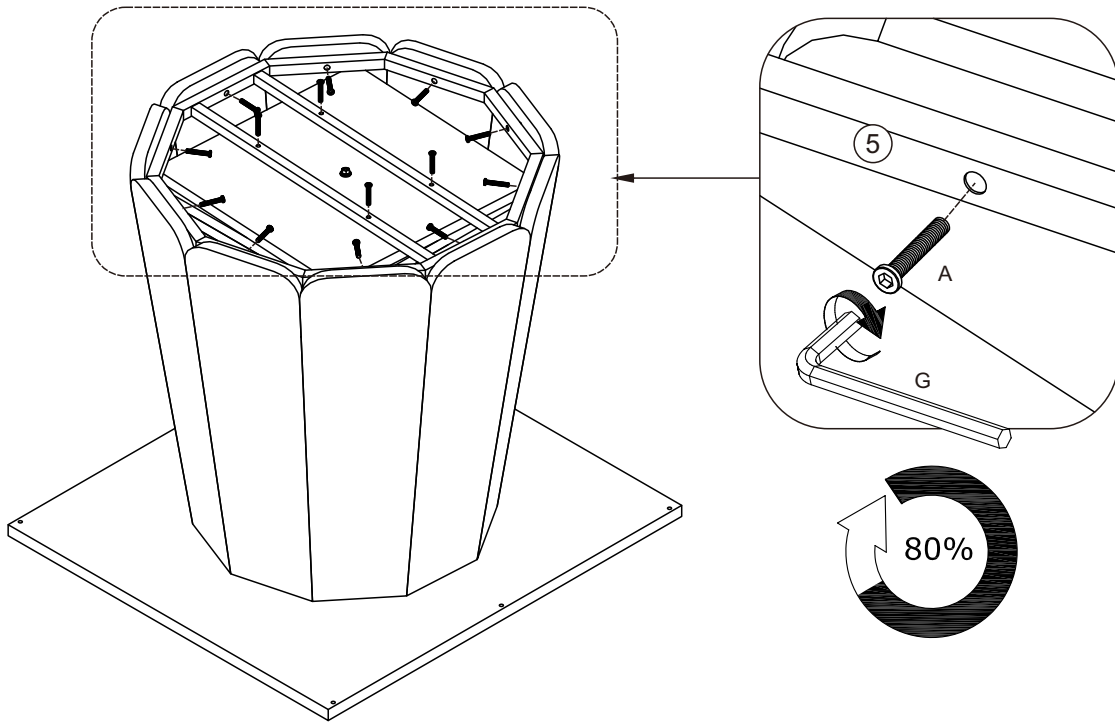
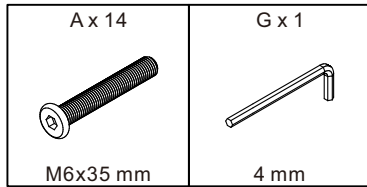


# 7

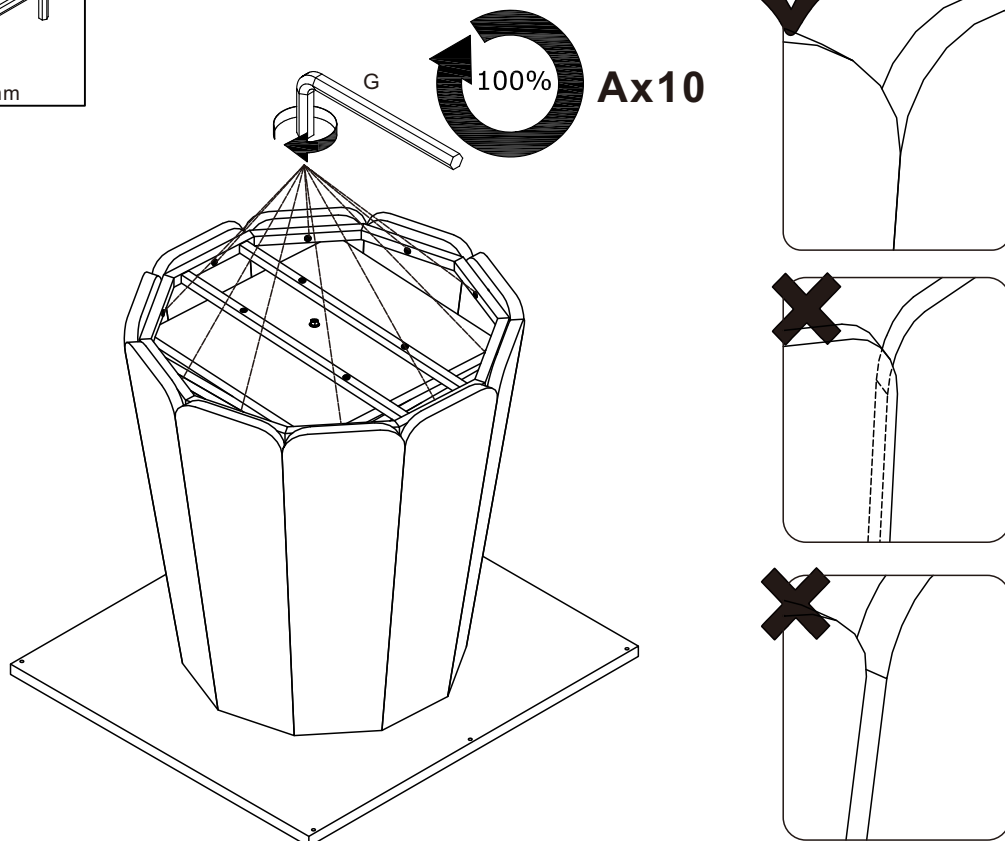
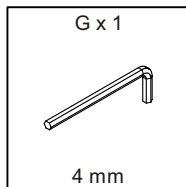
D x 1  Ø6.5/Ø13 mm	E x 1  M6/10 mm	F x 1  10 mm
---	--	---



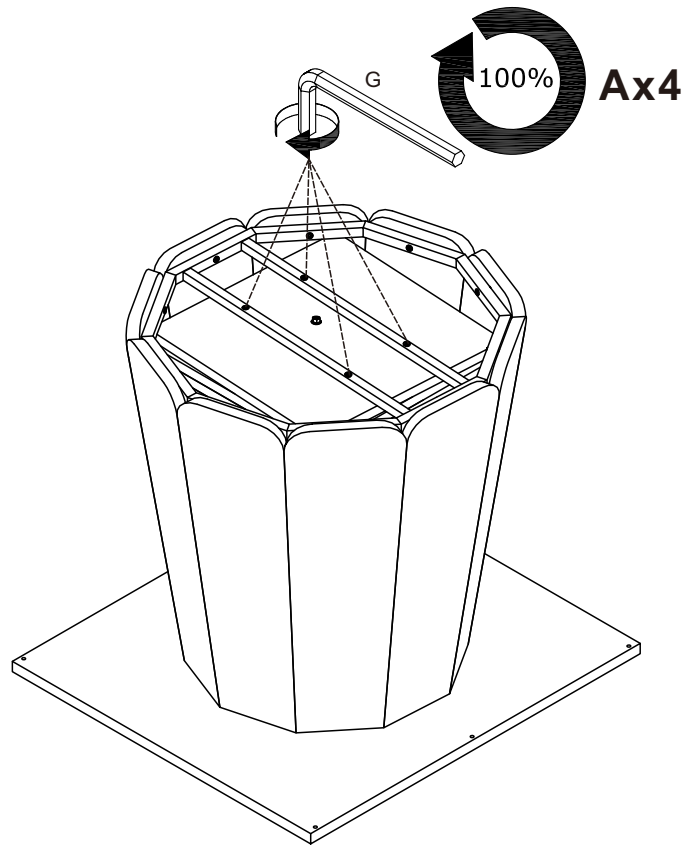
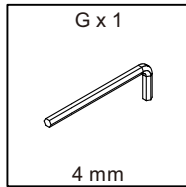
# 8



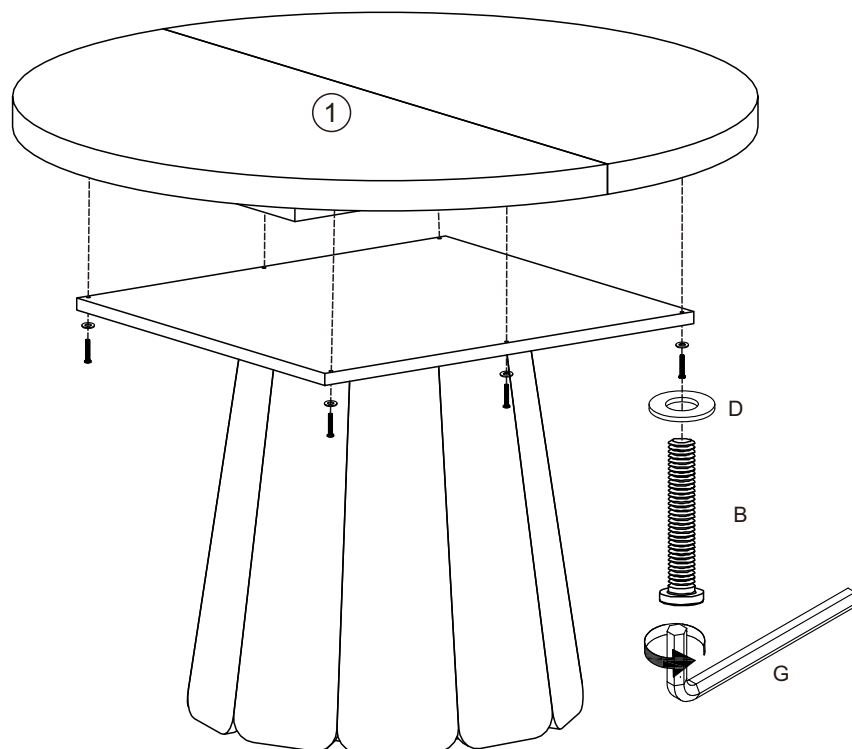
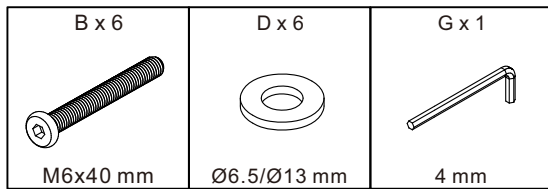
# 9



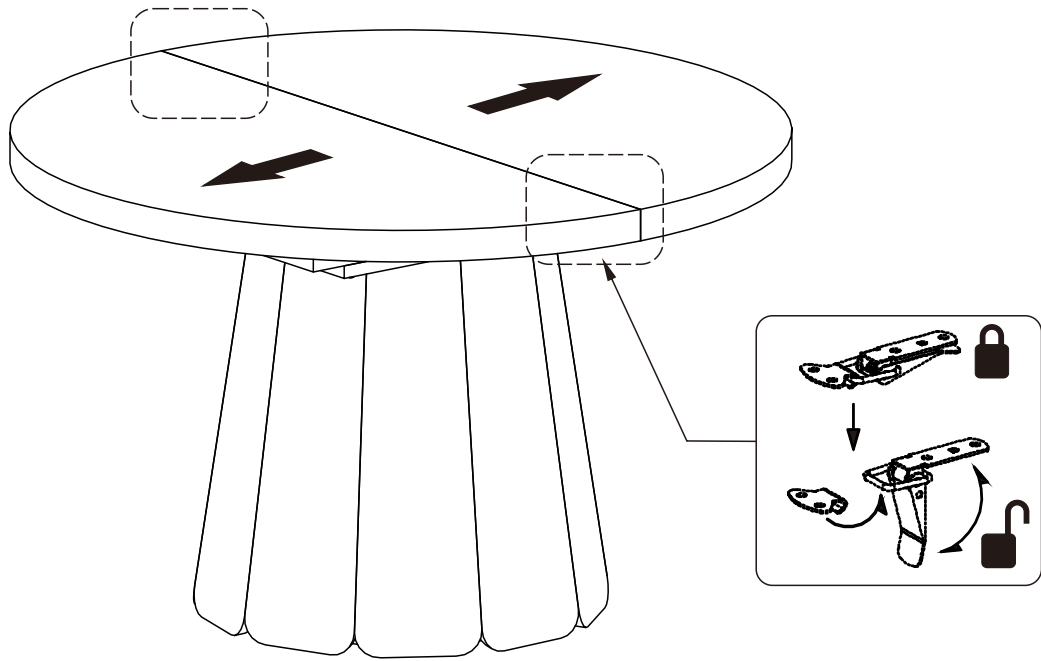
# 10



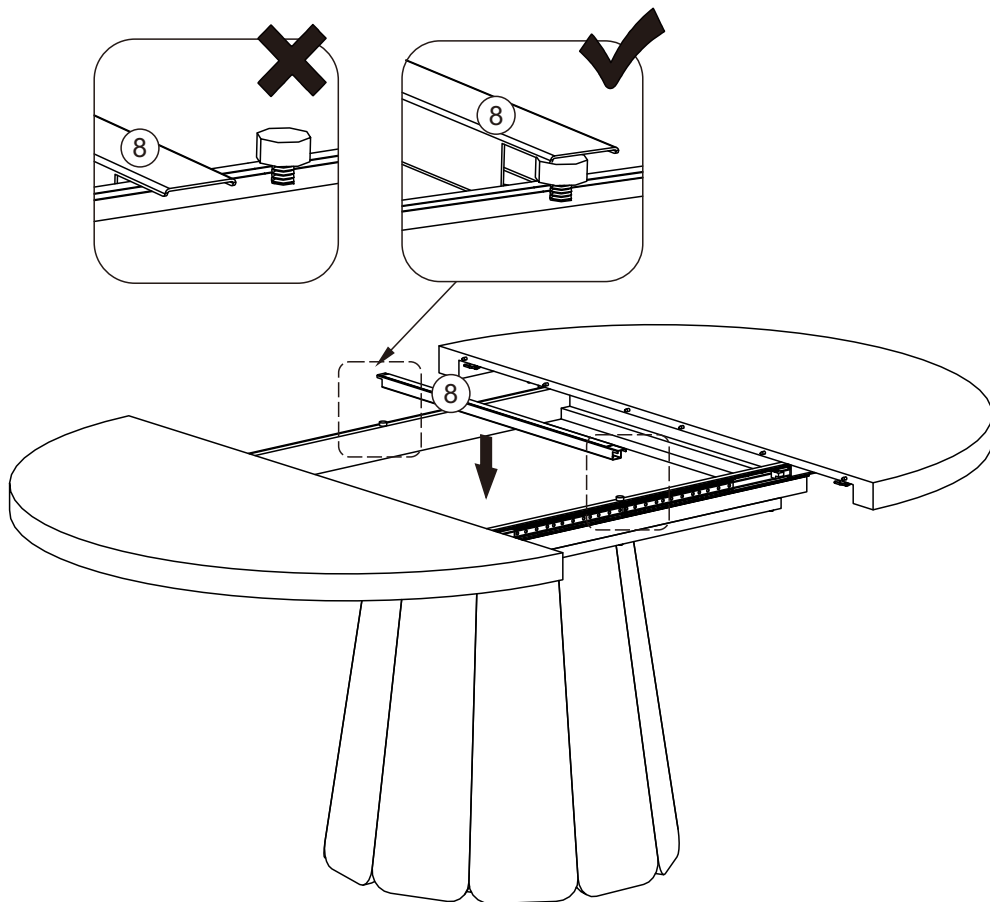
# 11



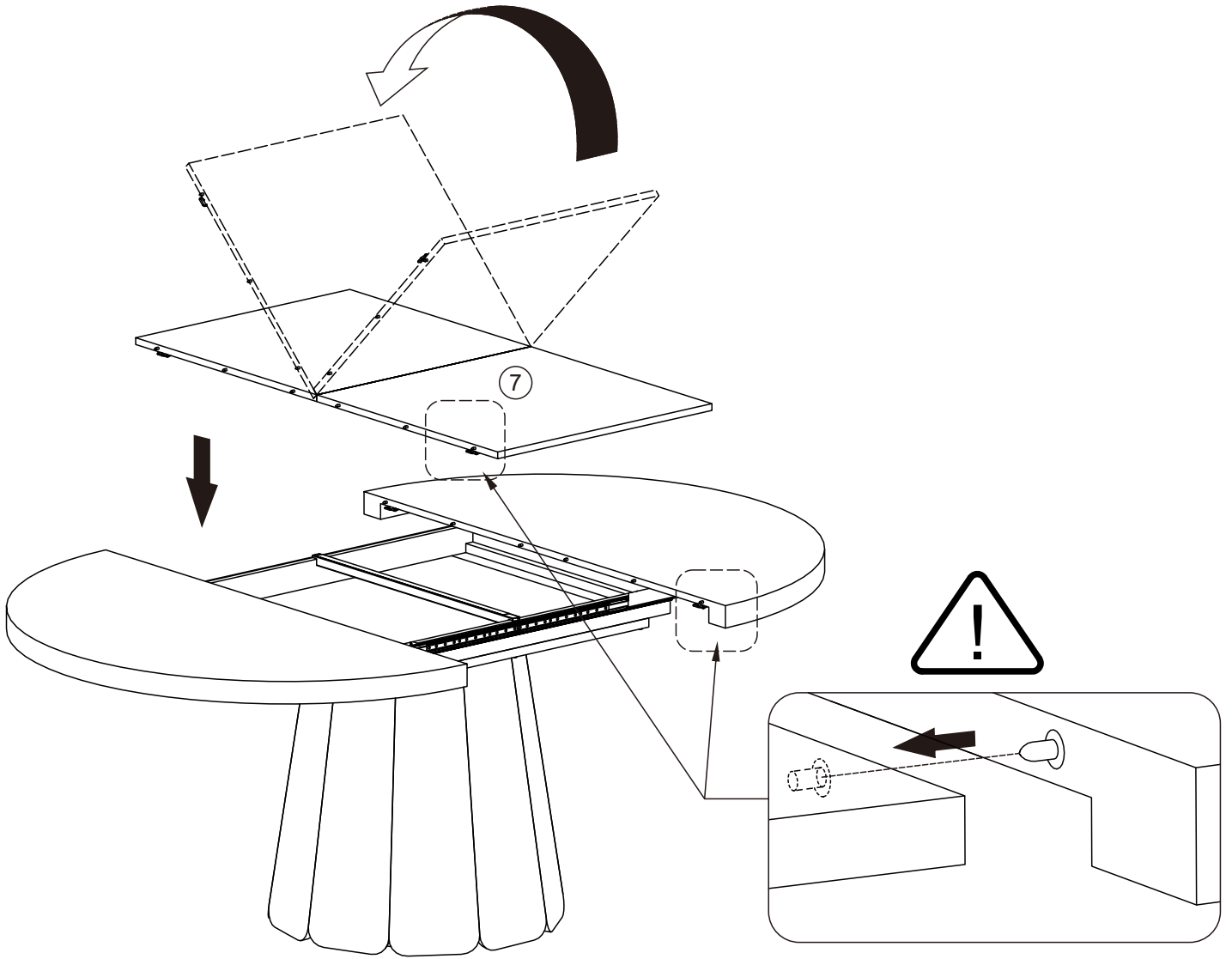
# 12



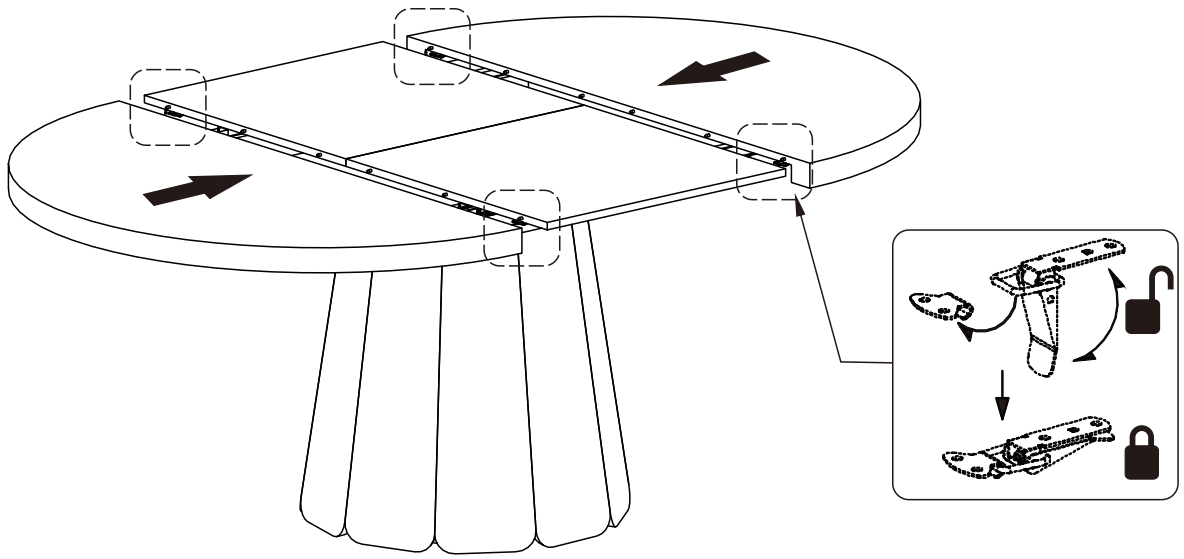
# 13



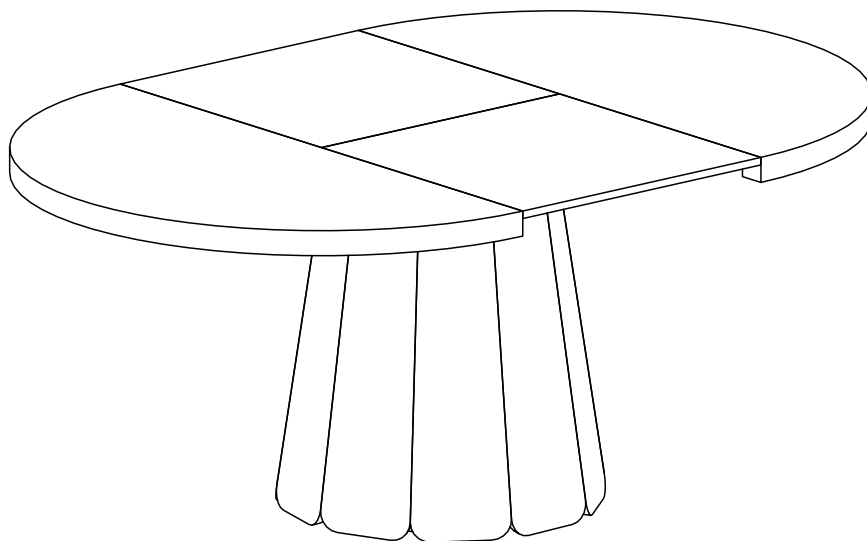
14



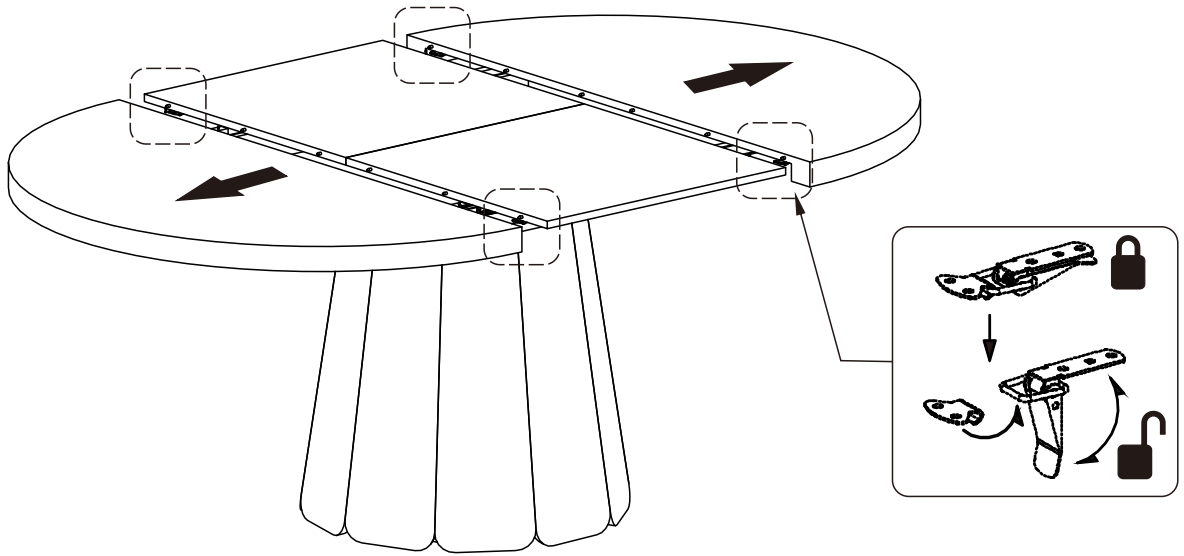
15



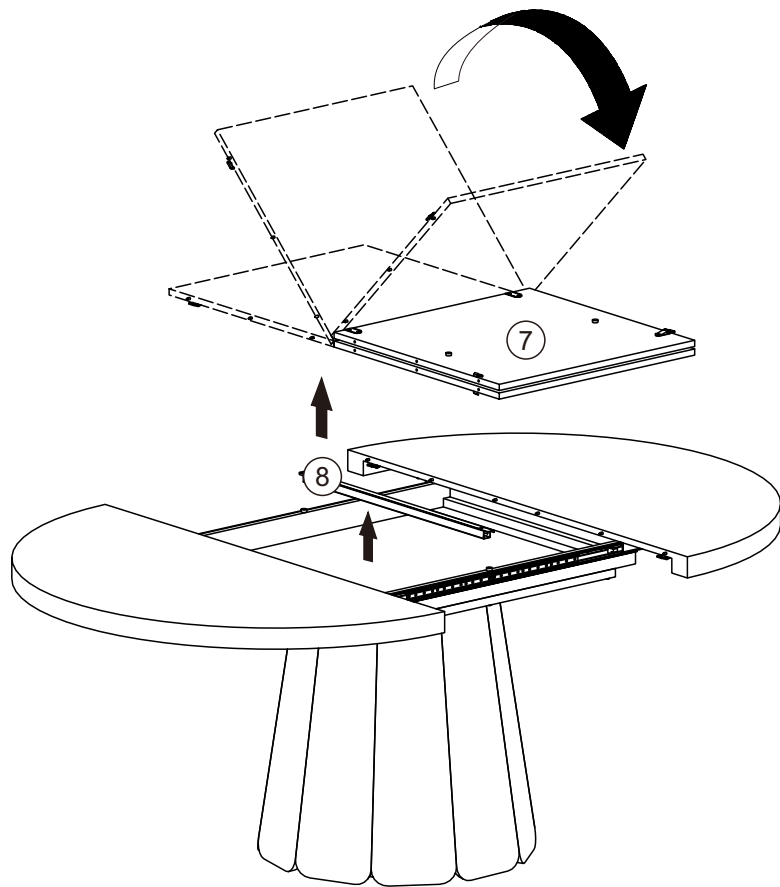
16



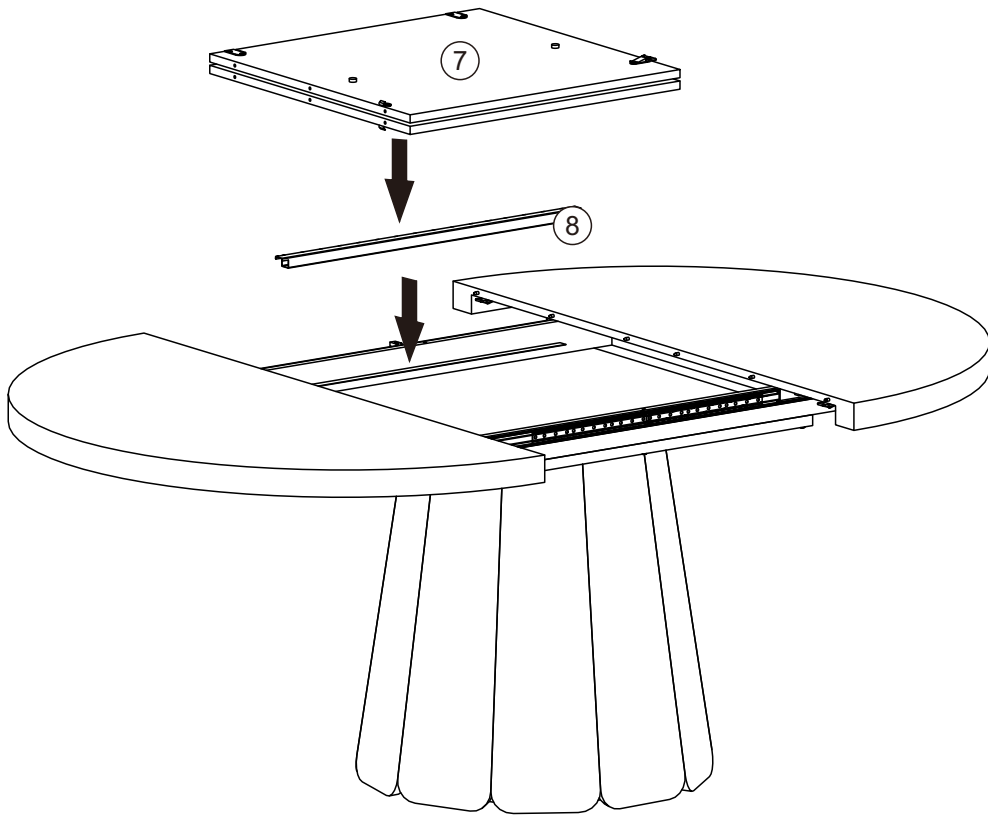
17



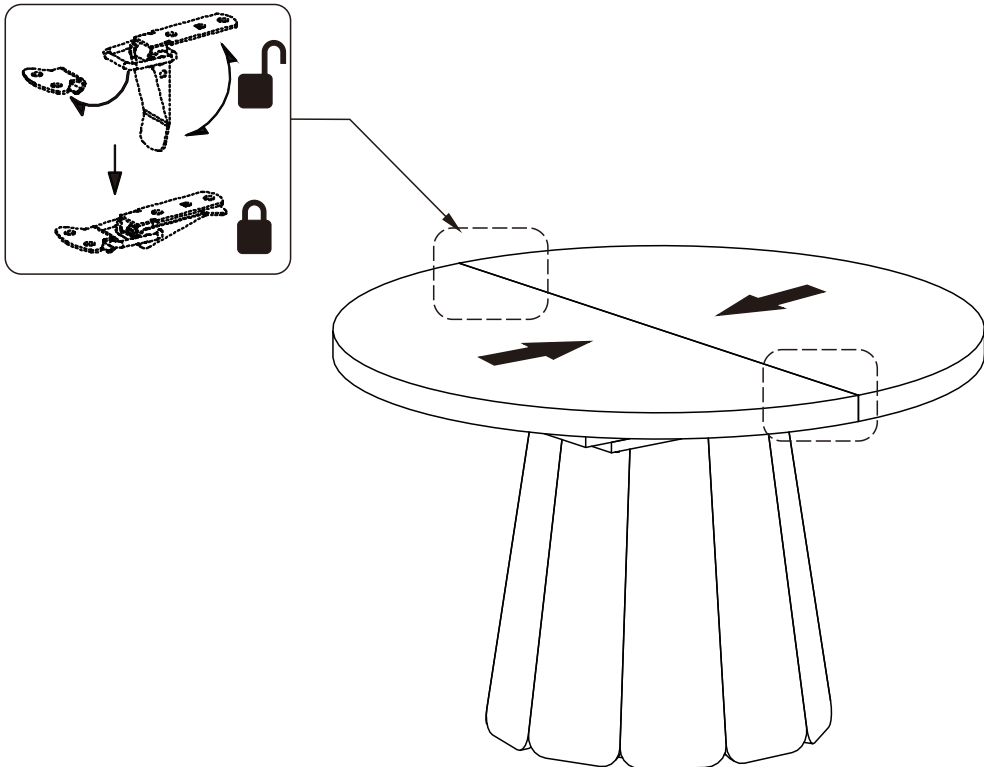
18



# 19



# 20



21

