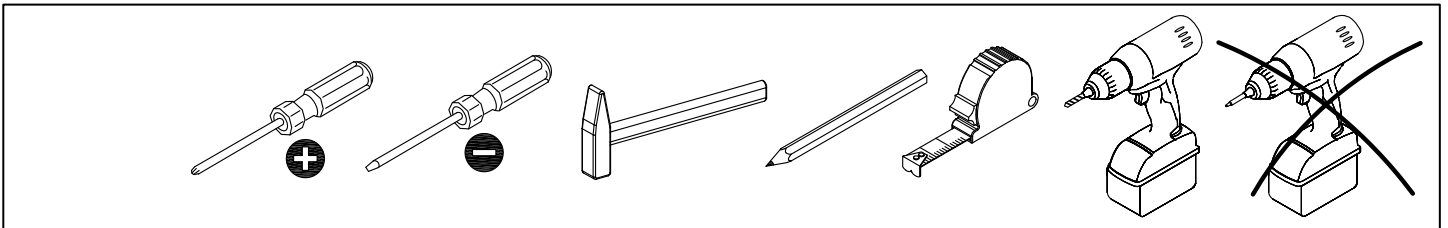
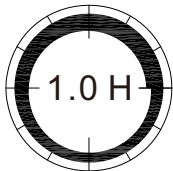
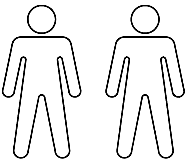
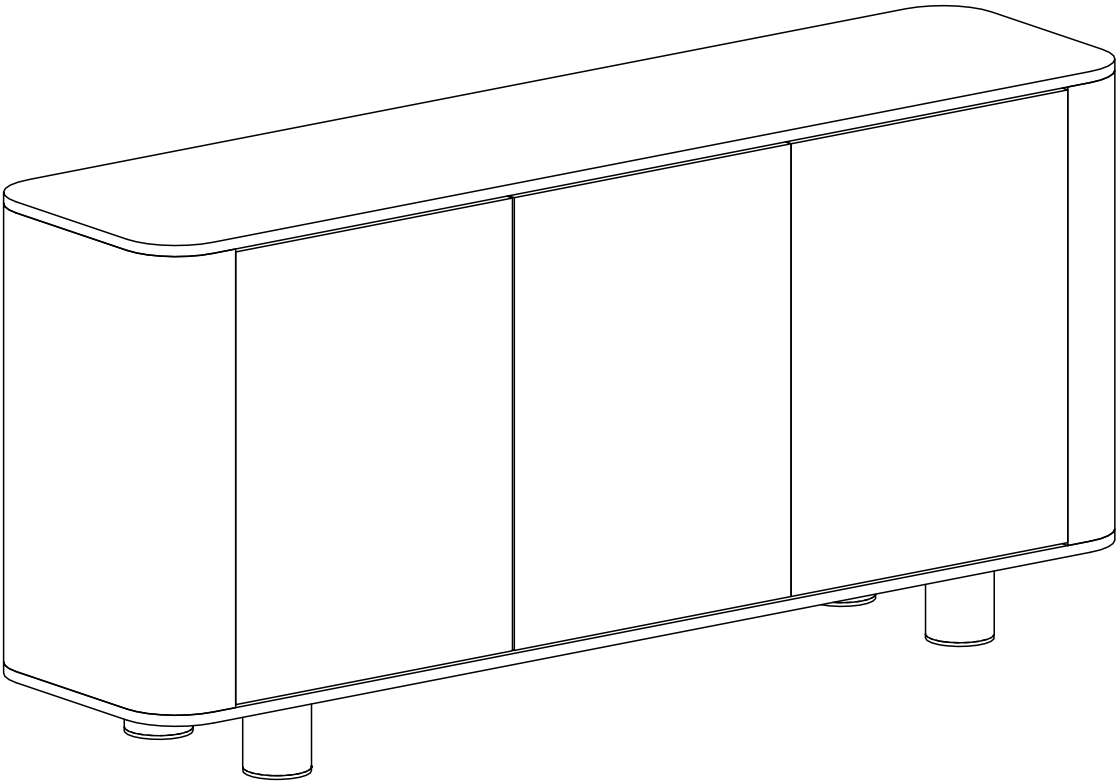
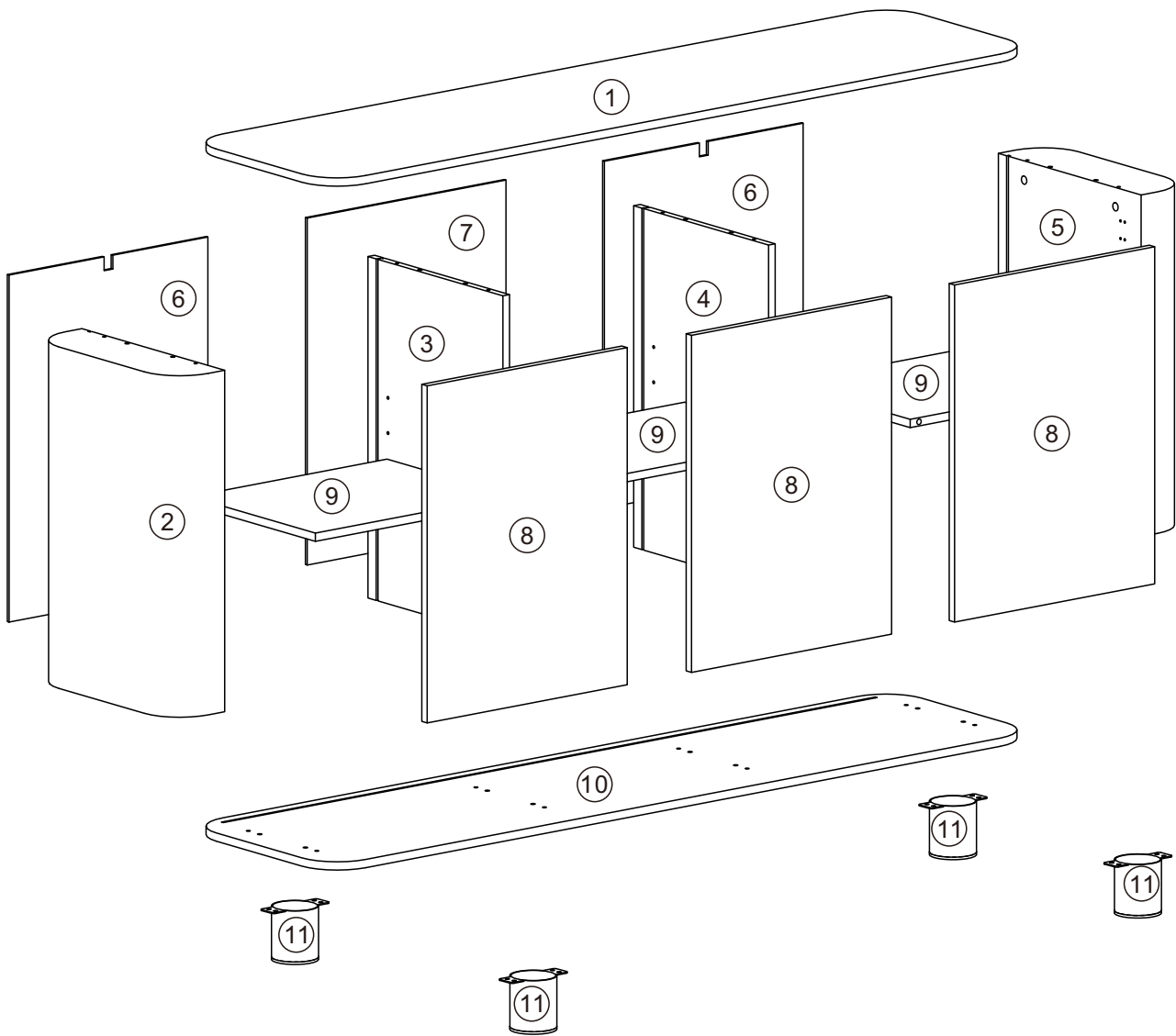


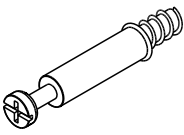
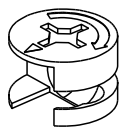
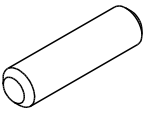
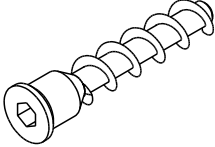
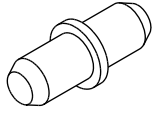
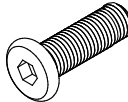
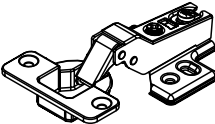
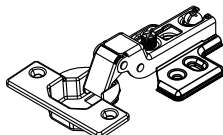
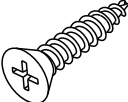
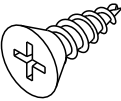
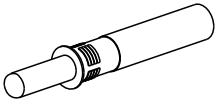
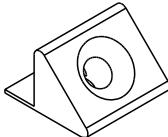
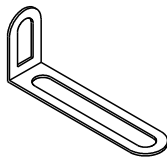
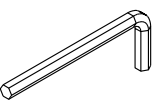
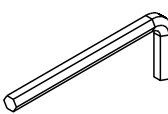
ATMORE



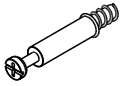
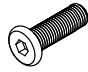


			✓
①	1	1600x400x15	
②	1	620x399x112	
③	1	620x378x15	
④	1	620x378x15	
⑤	1	620x399x112	
⑥	2	630x457x3	

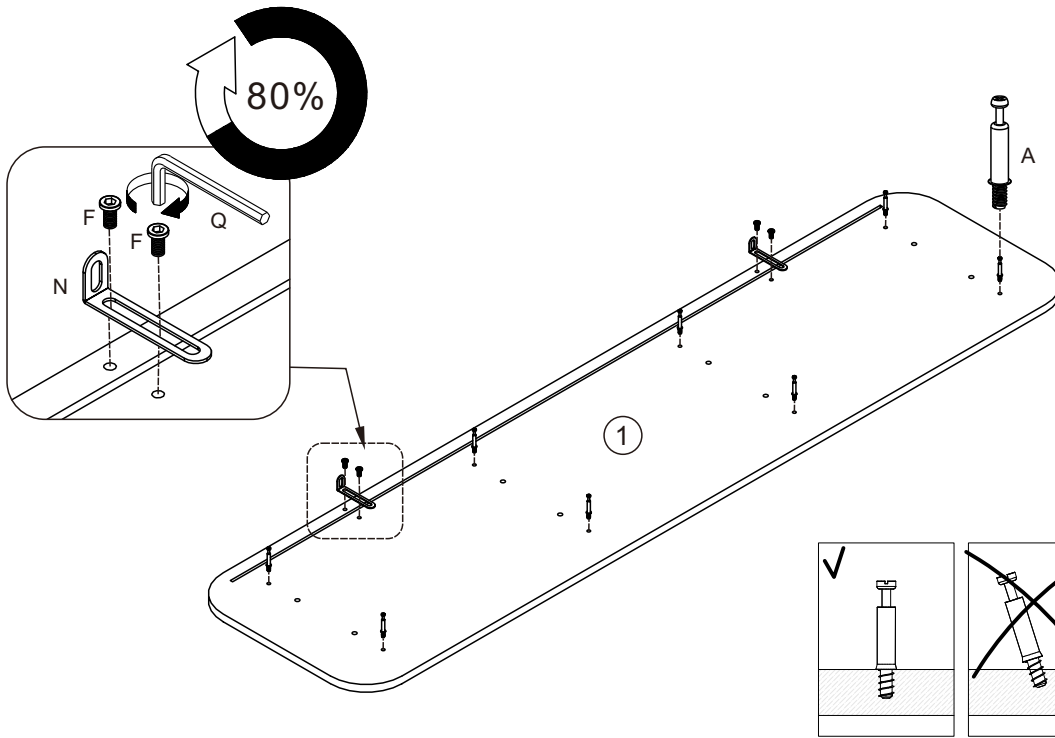
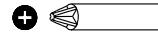
			✓
⑦	1	630x457x3	
⑧	3	614x454x15	
⑨	3	446x352x15	
⑩	1	1600x400x15	
⑪	4	141x90x100	




<p>A x 8</p>  <p>Ø6x45 mm</p>	<p>B x 8</p>  <p>Ø15x9 mm</p>	<p>C x 16</p>  <p>Ø8x30 mm</p>	<p>D x 8</p>  <p>Ø5x38 mm</p>	<p>E x 12</p>  <p>Ø5xØ5 mm</p>
<p>F x 20</p>  <p>M6x12 mm</p>	<p>G x 4</p>  <p>Ø35/FK17 mm</p>	<p>H x 2</p>  <p>Ø35/FK9 mm</p>	<p>J x 12</p>  <p>Ø3.5x18mm</p>	<p>K x 36</p>  <p>Ø5x14 mm</p>
<p>L x 3</p>  <p>Ø10x75 mm</p>	<p>M x 12</p>  <p>15x13x10 mm</p>	<p>N x 2</p>  <p>75x25x15 mm</p>	<p>P x 1</p>  <p>3 mm</p>	<p>Q x 1</p>  <p>4 mm</p>

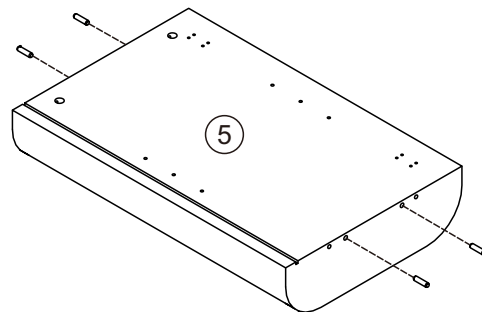
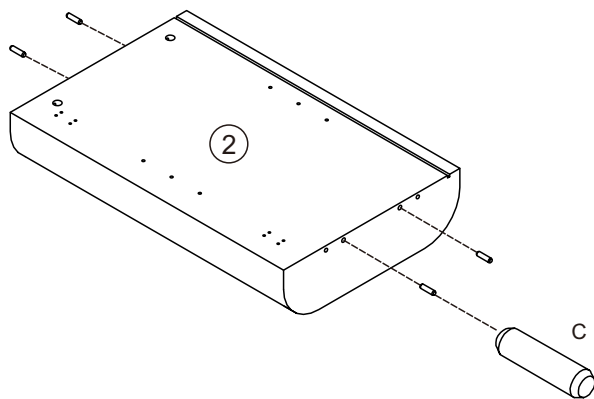
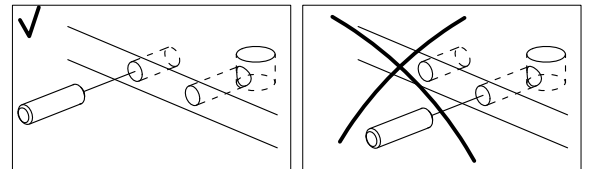
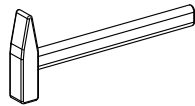
1

A x 8  Ø6x45 mm	F x 4  M6x12 mm	N x 2  75x25x15 mm	Q x 1  4 mm
--------------------------------------------------------------------------------------------------------	--------------------------------------------------------------------------------------------------------	-----------------------------------------------------------------------------------------------------------	----------------------------------------------------------------------------------------------------

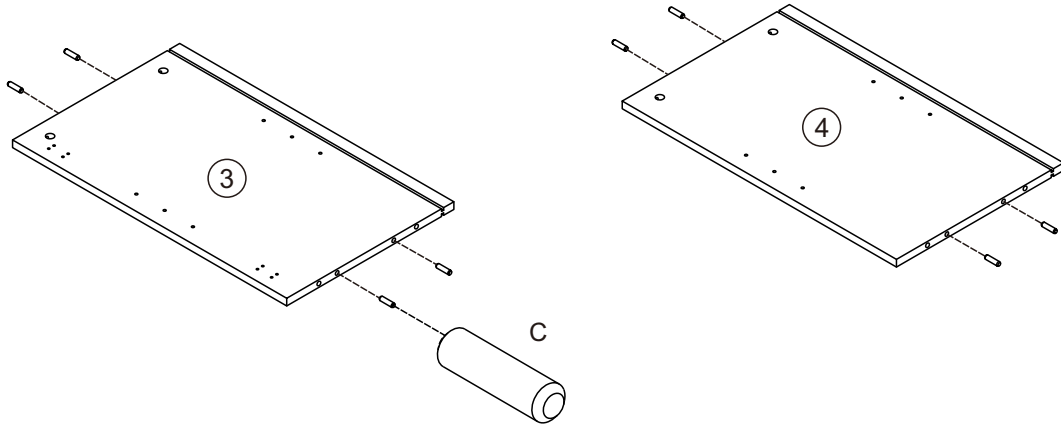
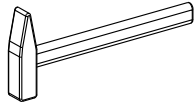
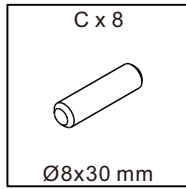


2

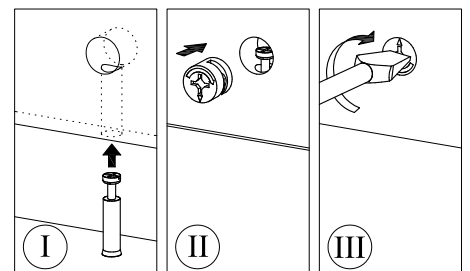
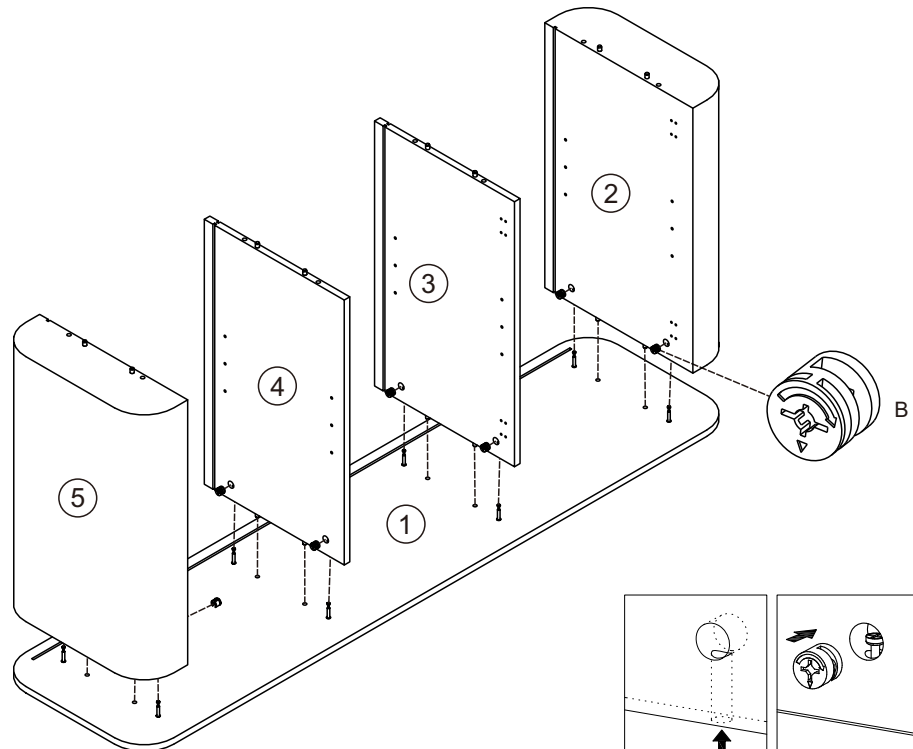
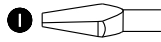
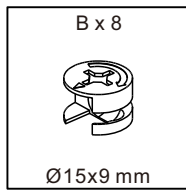
C x 8  Ø8x30 mm



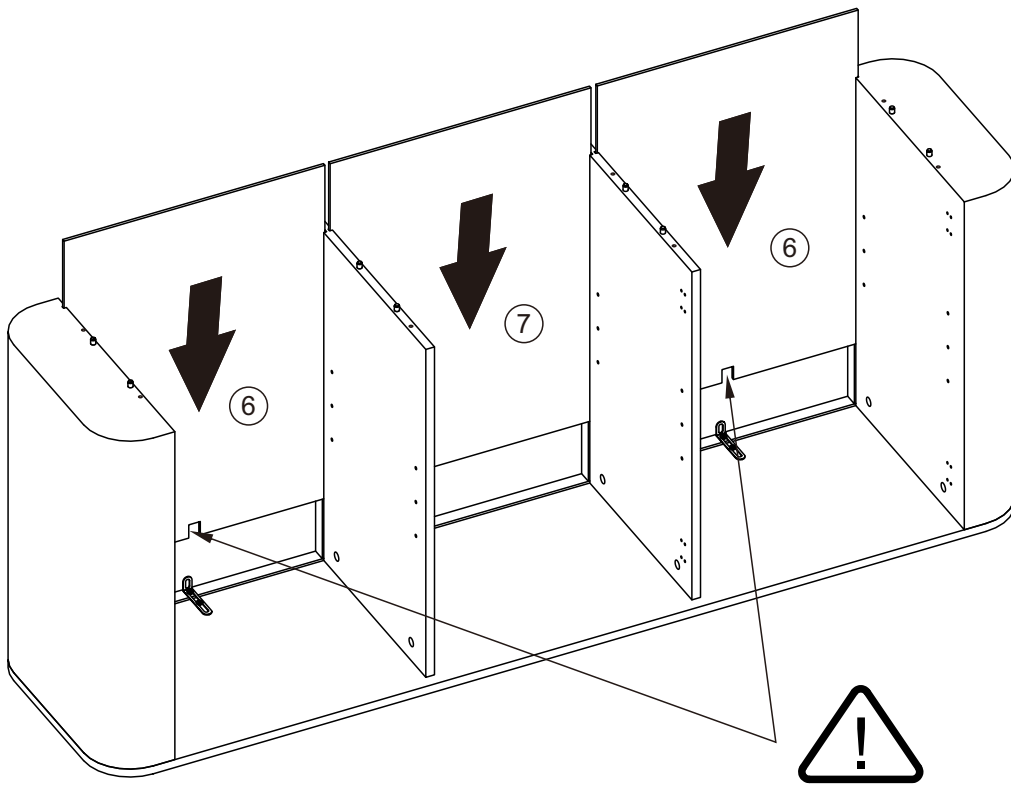
3



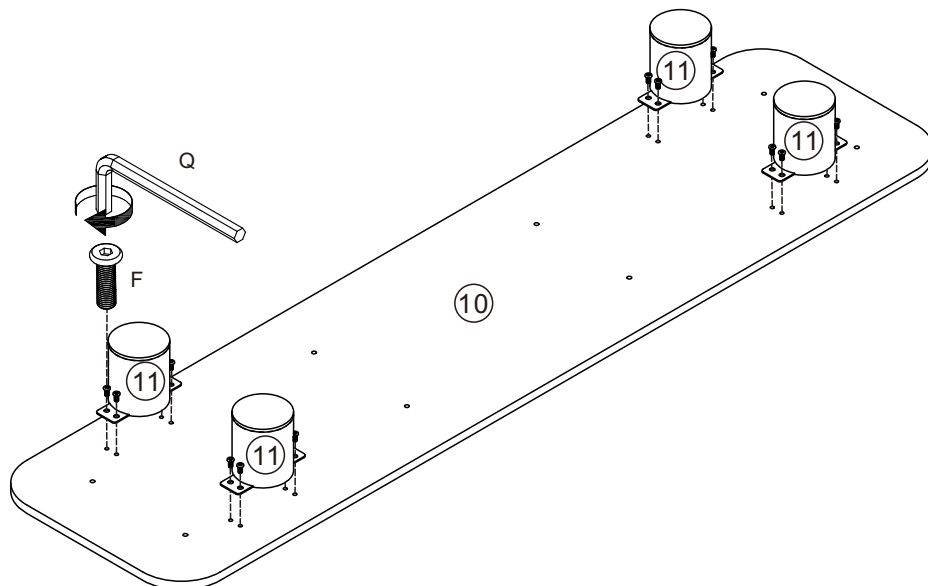
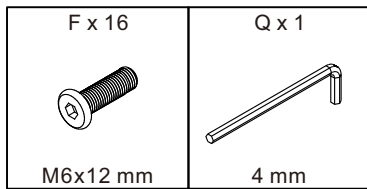
4



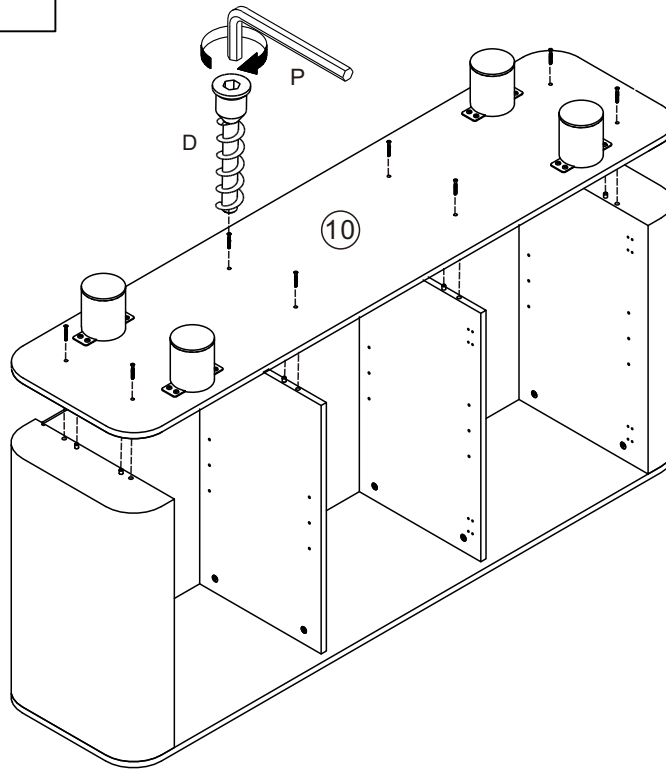
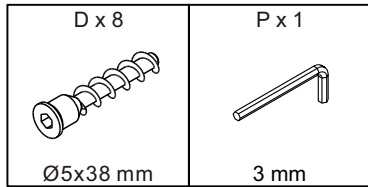
5



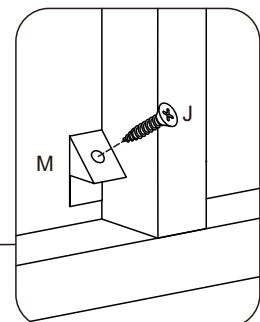
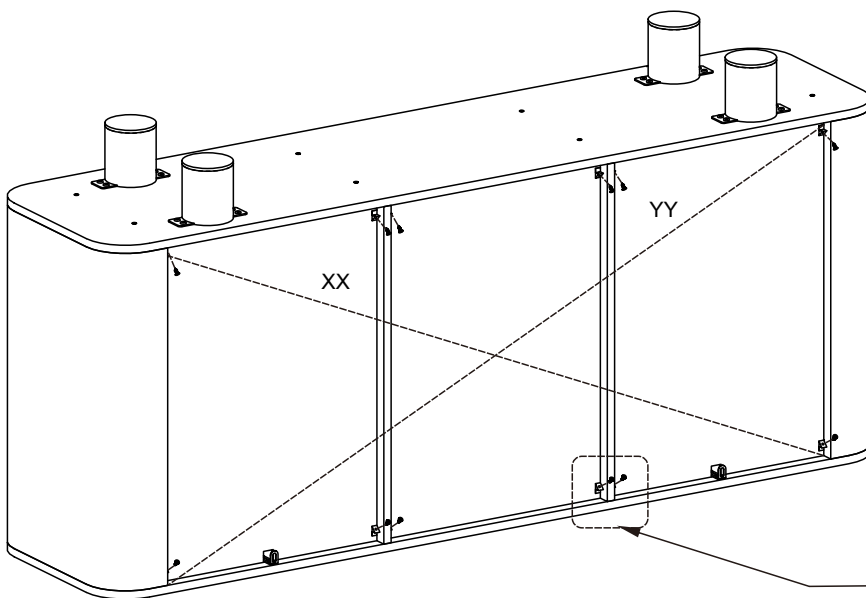
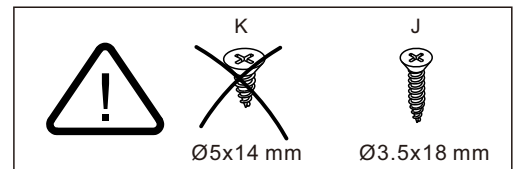
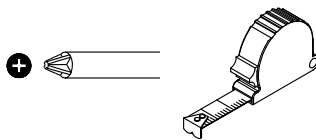
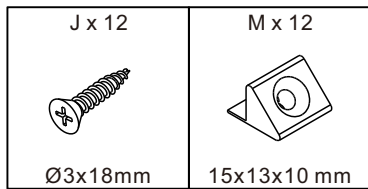
6



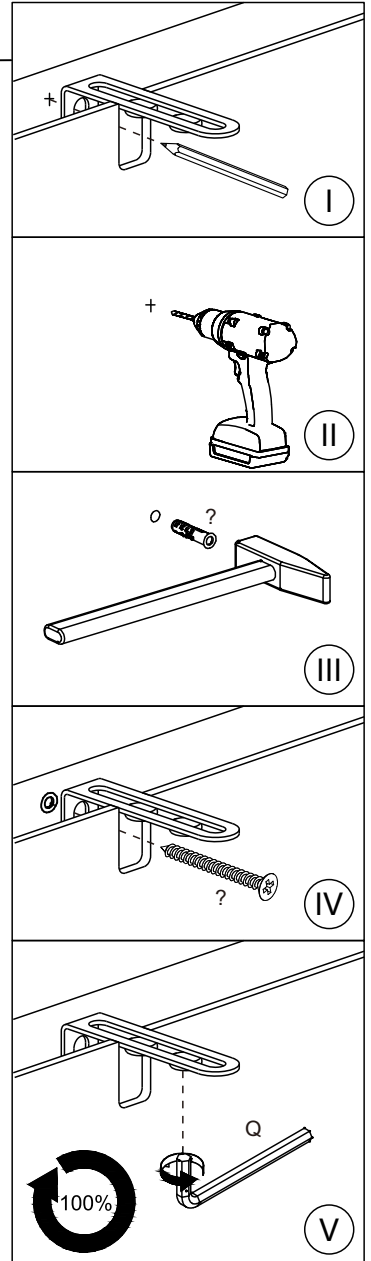
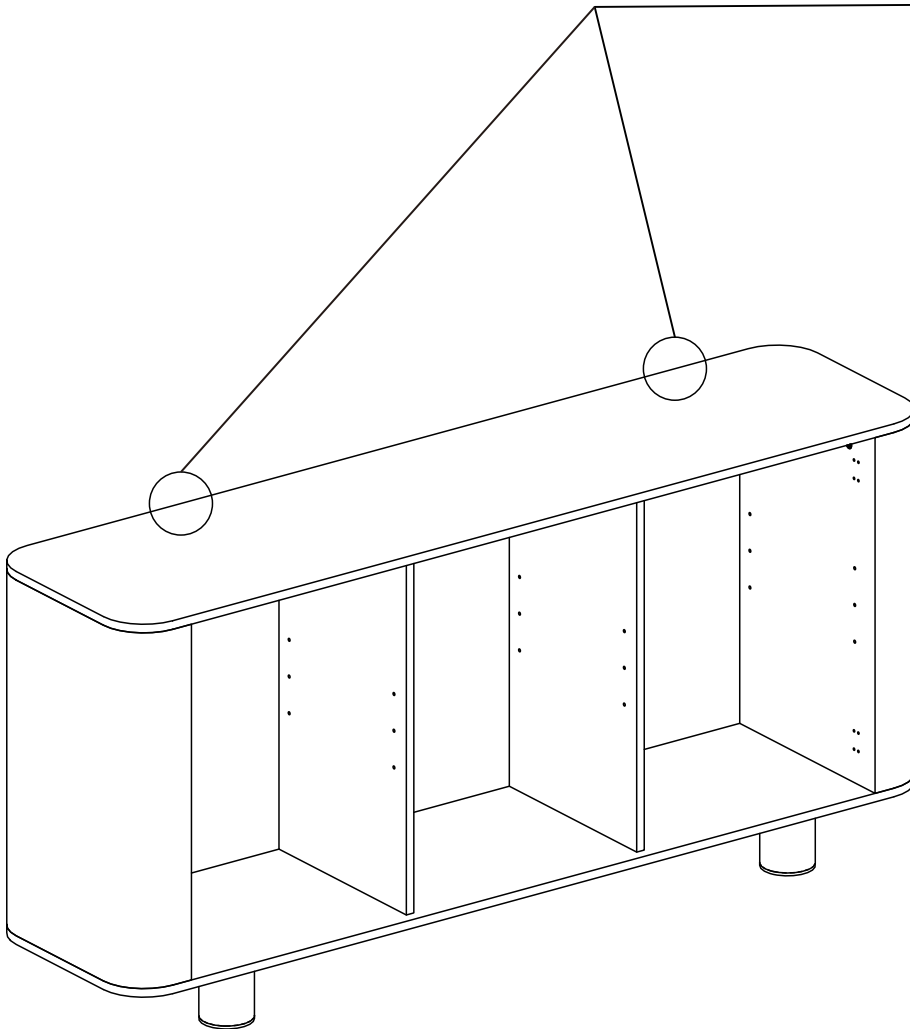
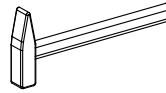
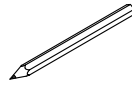
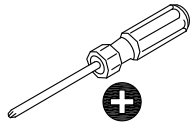
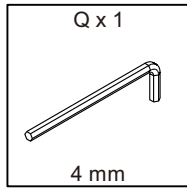
7



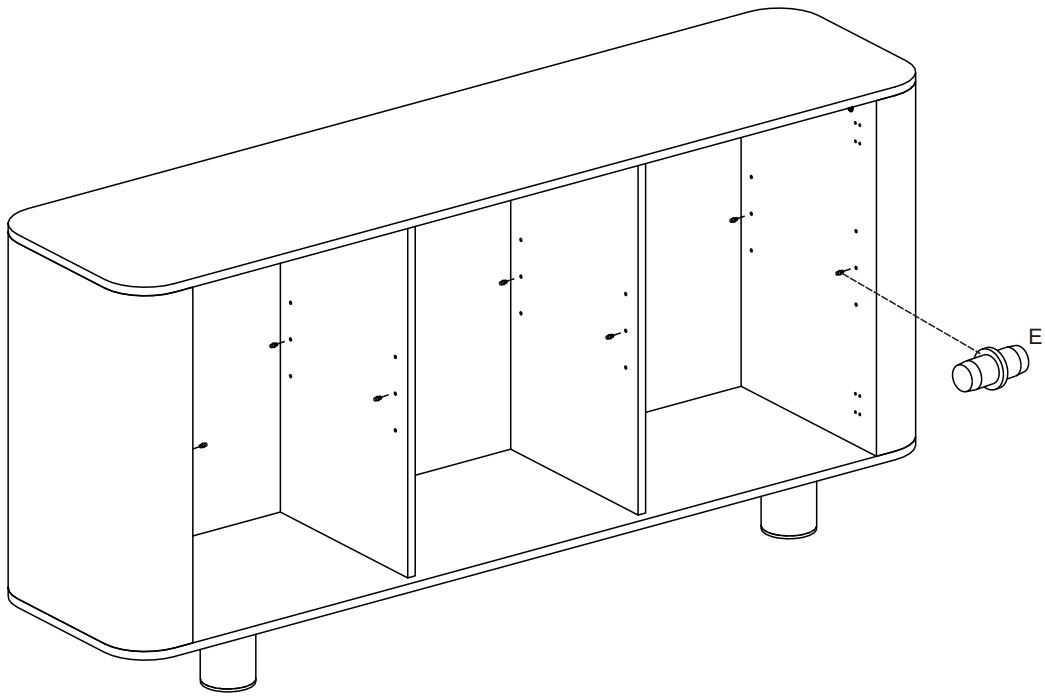
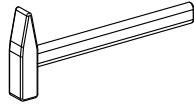
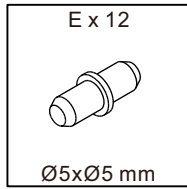
8



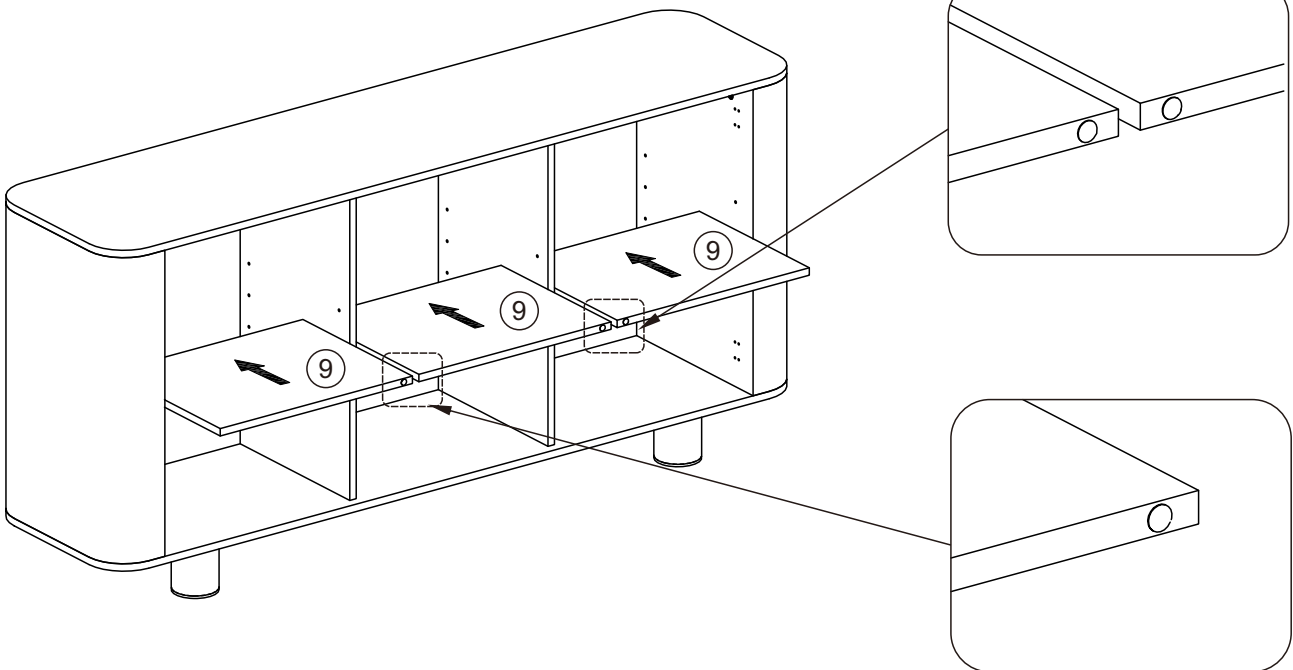
9



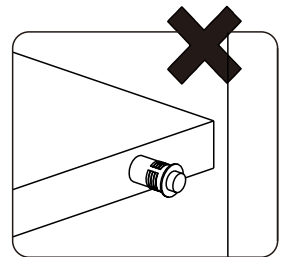
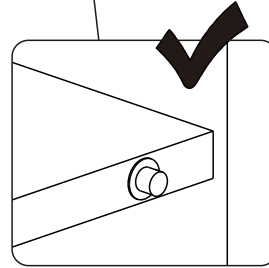
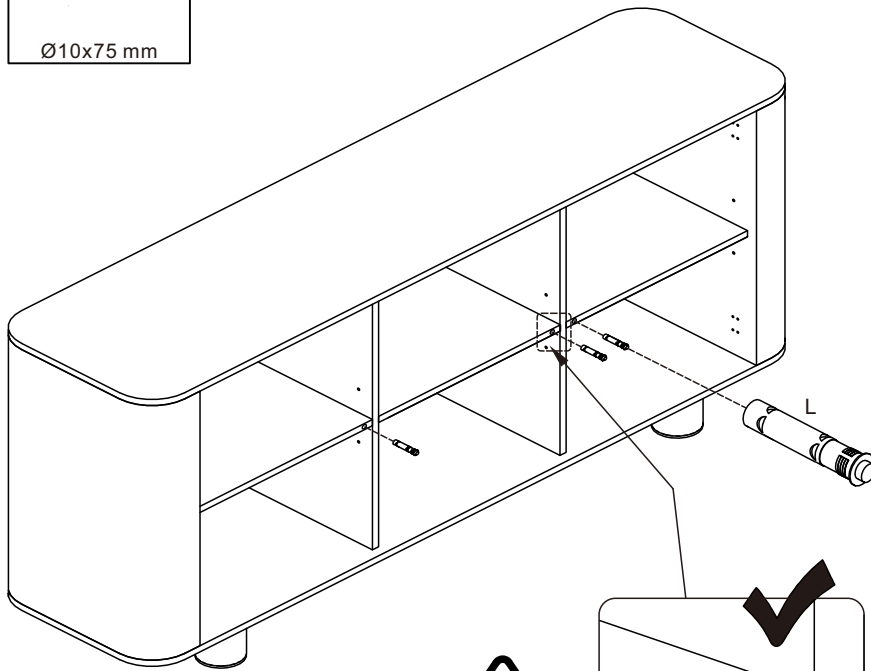
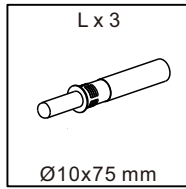
10



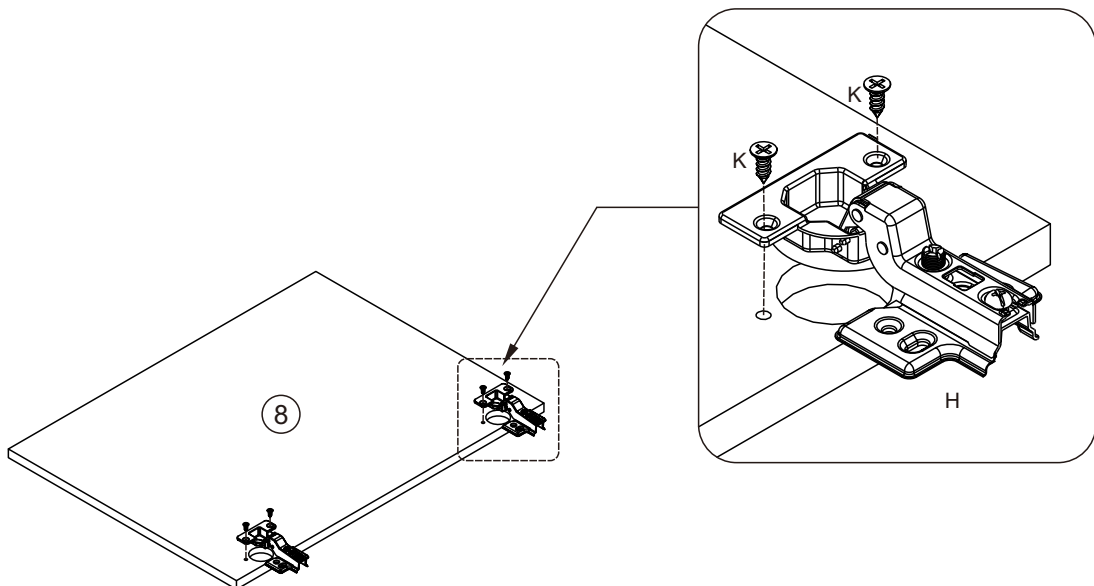
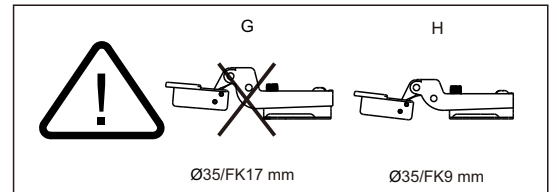
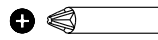
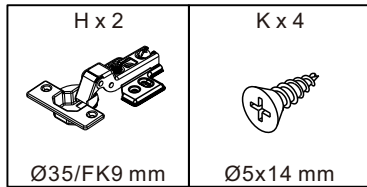
11



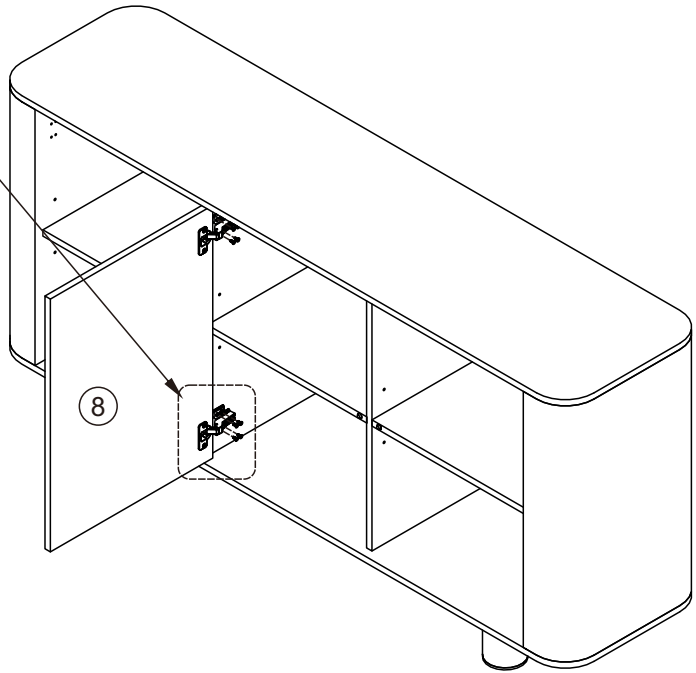
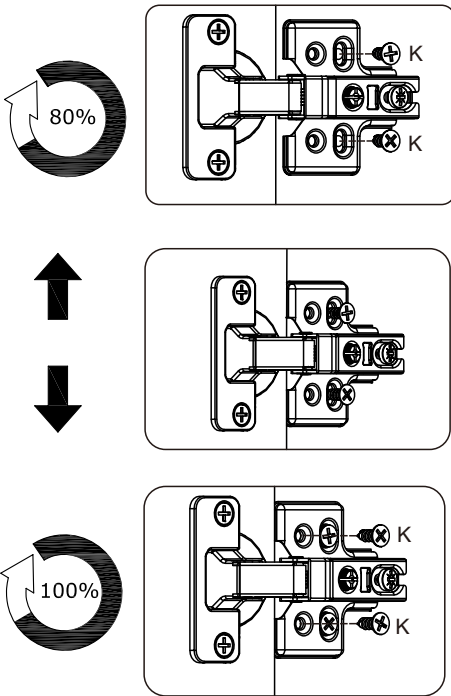
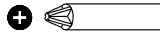
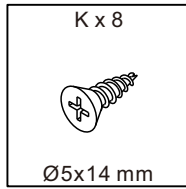
12



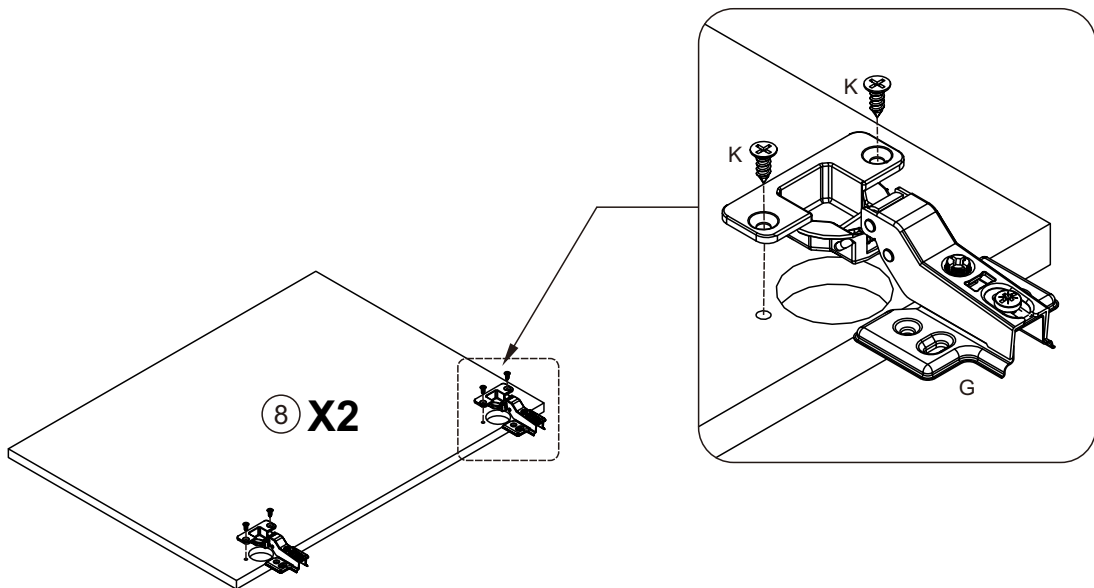
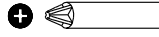
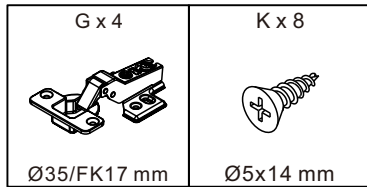
13



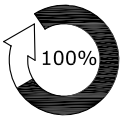
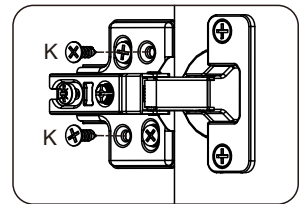
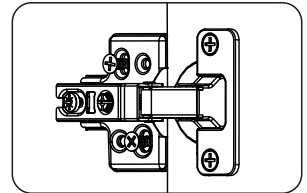
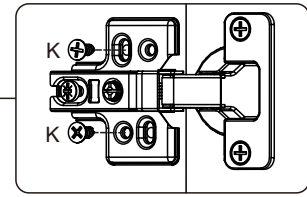
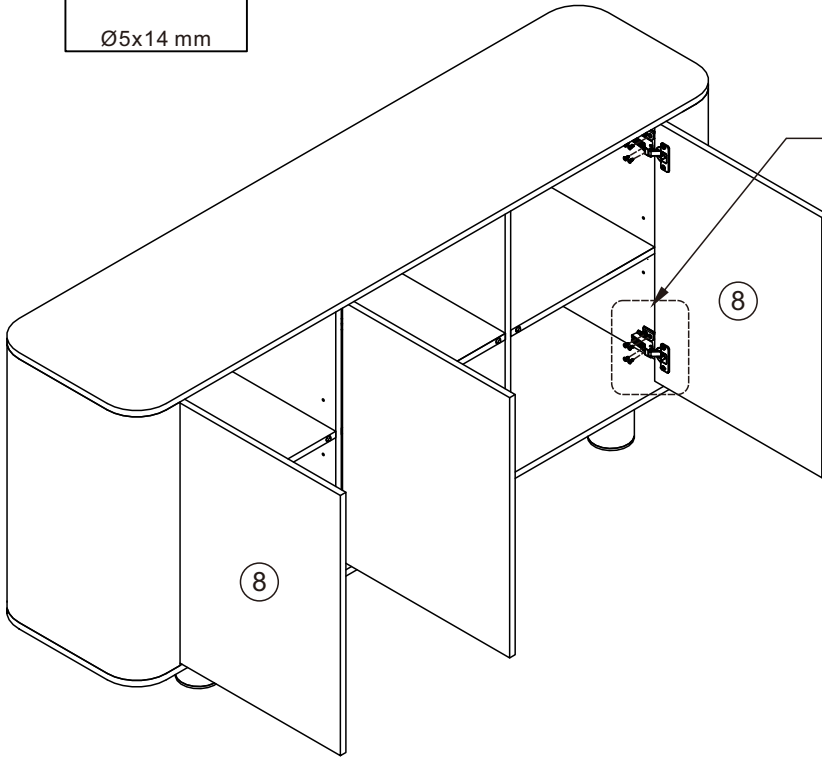
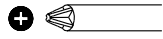
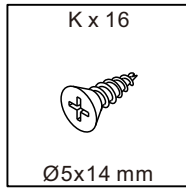
14



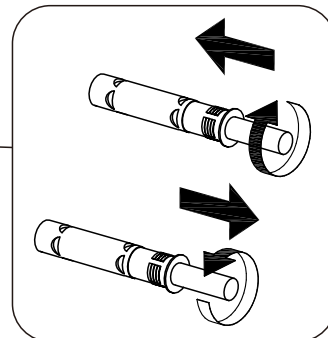
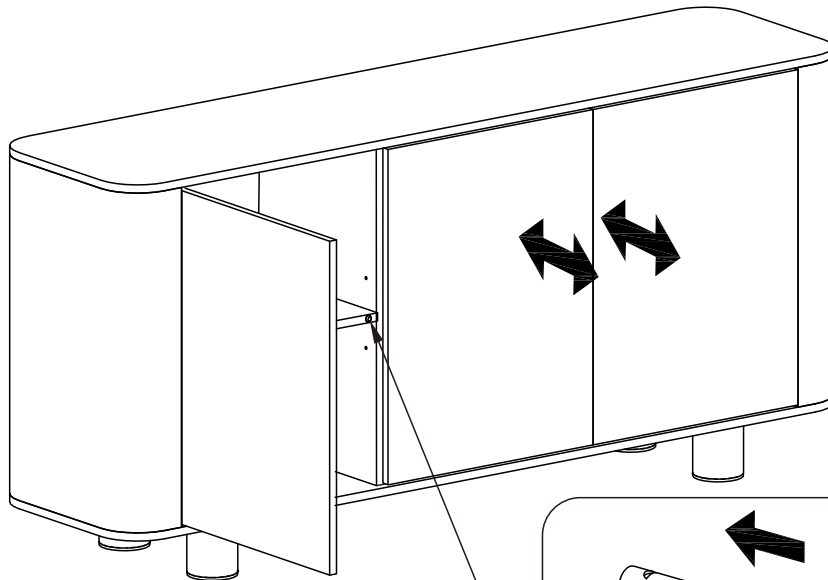
15



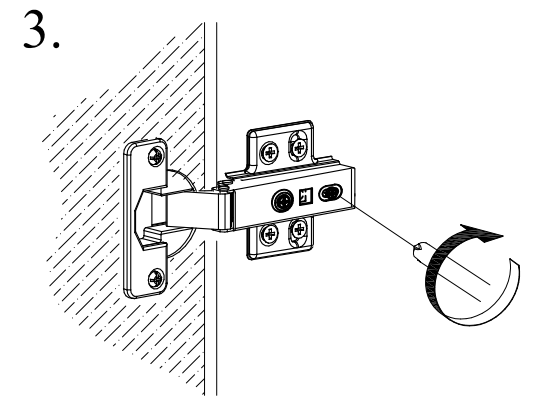
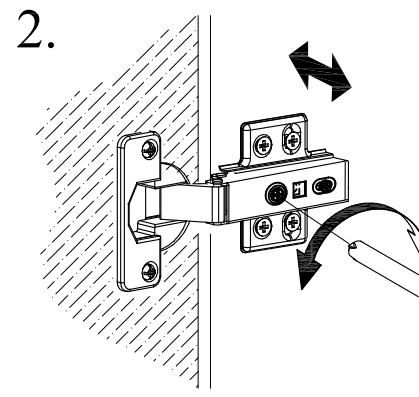
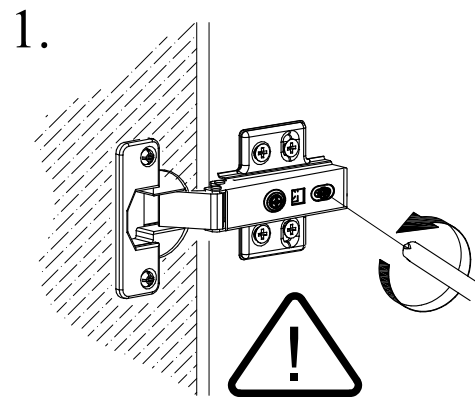
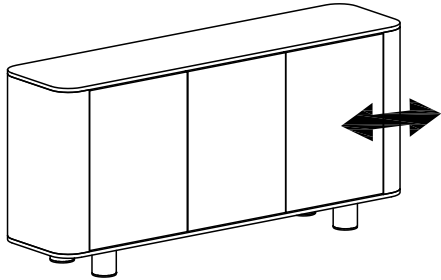
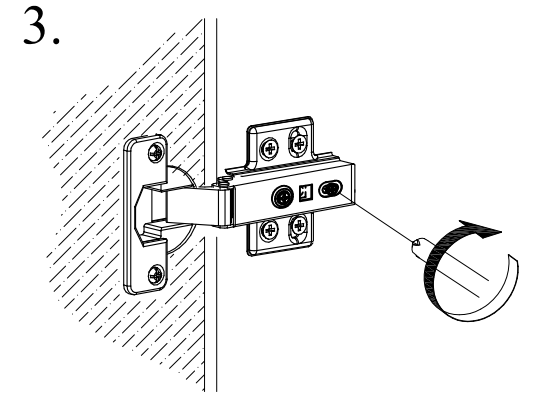
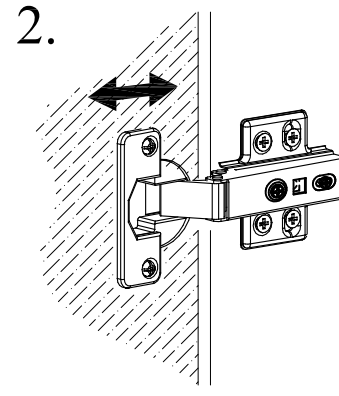
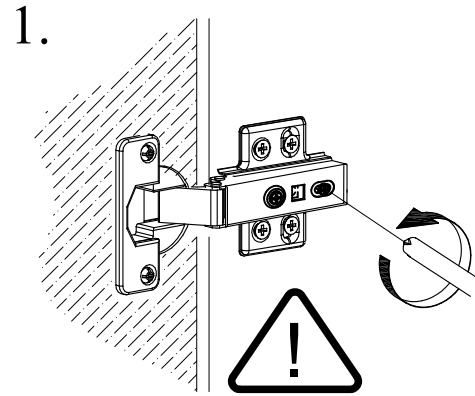
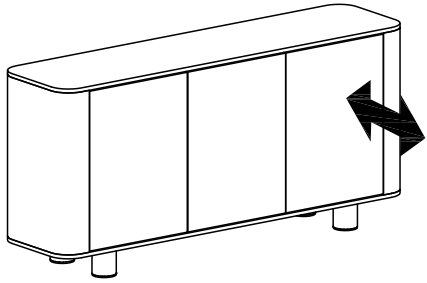
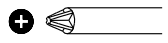
16



17



18



19

