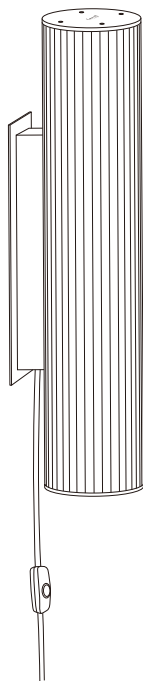


Vuelta wall lamp

ASSEMBLY MANUAL



ferm
L I V I N G

General Instructions

PLEASE READ BEFORE INSTALLATION

WARNING:

The safety of this fitting can only be guaranteed if the following instructions are observed during both installation and use. Please retain these instructions safely after installation.

PLEASE OBSERVE THE FOLLOWING GUIDELINES:

Ensure that the power supply has been switched off prior to installation or removal of the product. Never undertake an electrical installation without the proper knowledge or training. If not familiar with electrical wiring, contact a qualified electrician.

The product may in no way be modified or tampered with. Any modification may compromise safety and make the product itself dangerous to use. FERM LIVING does not accept any responsibility for products that have been modified.

The light source in this product cannot be replaced..

This product is meant for indoor use only.

This appliance should not be disposed in a domestic trash receptacle and should instead be recycled appropriately.

CLEANING INSTRUCTIONS:

Use only a soft cloth to clean the product. Dampen the cloth with water and soap or a mild cleanser if needed.

MORE INFORMATION:

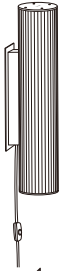
To access further information such as product overview and material descriptions, please visit our website at www.fermliving.com. If you have any questions or comments, please do not hesitate to contact us at info@fermliving.com.

Technical Specifications

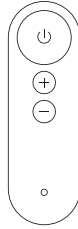
VUELTA WALL 40

Rated Power:	15w
Lumen output at maximum:	1200lm
CCT:	3000k
CRI:	>90
Rated Voltage:	100-240V AC
Frequency:	50/60Hz
Certification:	CE/LVD/EMC/ROHS/ETL
Dimension:	404x84x114mm
Cable lenght:	2,5m

BOX CONTENT



1x
Lamp



x1
Remote control



1x
Philips head screwdriver



1x
Glove



2x
Raw plugs Ø8mm
(not suitable for drywalls)

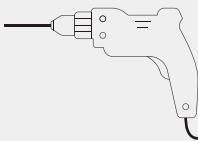


2x
Screws



1x
End cap

NEEDED TOOLS



Electrical drill



Pencil



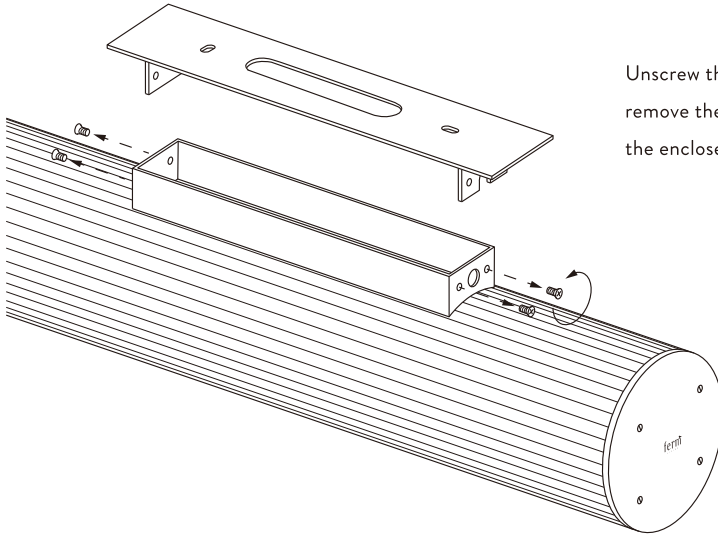
Ruler



Spirit level

ASSEMBLY PROCESS

1

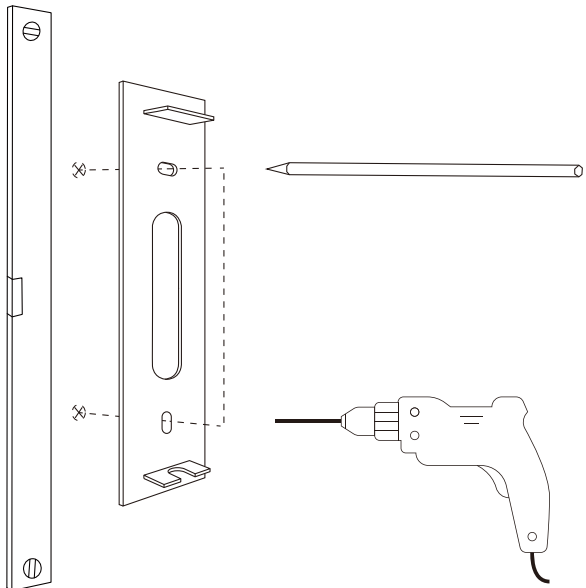


Unscrew the 4 screws and remove the wall mount using the enclosed screwdriver.

2

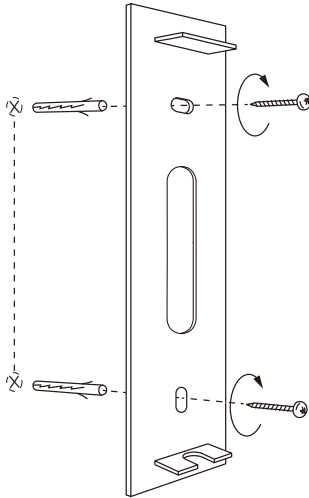
Use the spirit level and mark with pencil where to drill.

And then drill two holes in the wall.



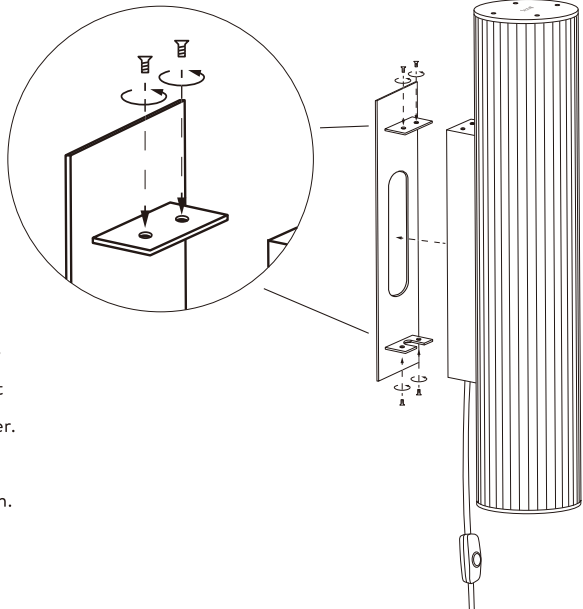
ASSEMBLY PROCESS

3



Attach the wall mount with the two screws and two rawl plugs (if applicable).

4



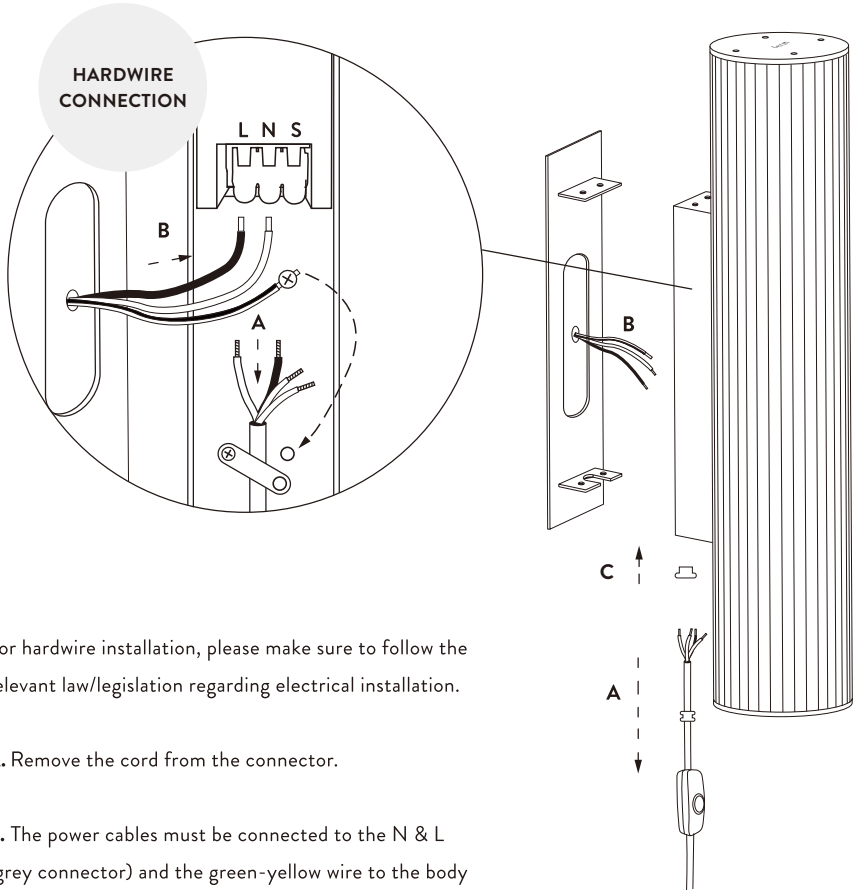
Push the lamp onto the wall bracket and mount the lamp to the wall bracket using the 4 set screws and enclosed screwdriver.

The lamp can now be plugged in.

OPTIONAL HARDWIRE INSTALLATION

Turn your power off during installation

5



For hardwire installation, please make sure to follow the relevant law/legislation regarding electrical installation.

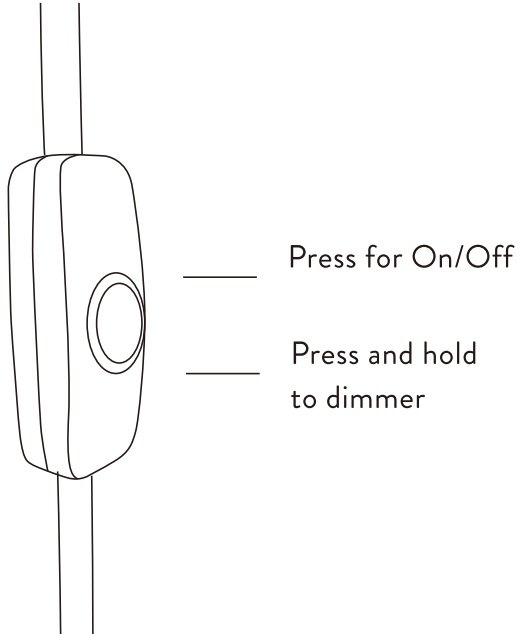
- A. Remove the cord from the connector.
- B. The power cables must be connected to the N & L (grey connector) and the green-yellow wire to the body of the lamp.
- C. Block the hole with the enclosed end cap.

Warning: When choosing hard wire installation, the white dimmer cable must not be used.

DIMMER CONTROL

TO GET THE BEST EXPERIENCE,
CHOOSE BETWEEN STEP 6 AND 7

6



HOW TO USE THE REMOTE CONTROL

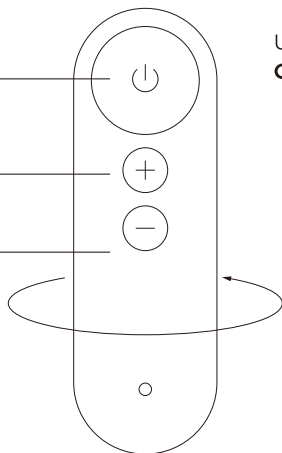
7

On/Off. Turns lamp on at saved brightness level / brightness level will be saved when turning off lamp

+ Increase light intensity

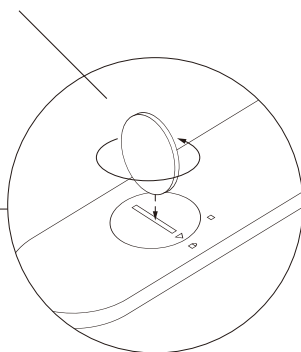
- Decrease light intensity

Please note: If you use the wall switch to turn the lamp on and off, the lamp will return to the last saved brightness level.



Before using the remote, please remove the battery from the control unit and remove the protective cardboard disc that is placed under the battery.

Use a coin to replace battery.
CR2025 3V



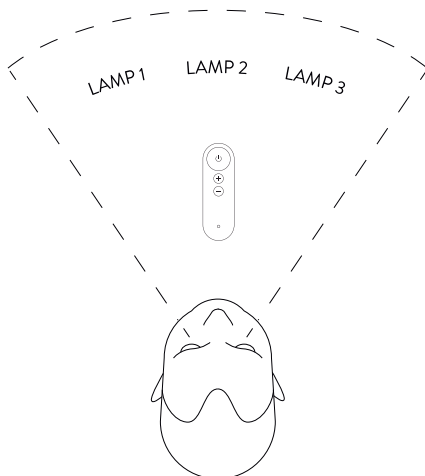
REMOTE CONTROL PAIRING

This pairing operation is not required unless you want to control multiple lamps (max 3 lamps) with the same remote control, or you need to reset your remote.

How to Pair:

1. Turn off the lamps power at its electrical power supply.

2. Turn it on again. In the first 10 seconds, push the following sequence of buttons: on/off, +, -. Once the pairing has been done successfully, the lamp will flicker 1 time.



fermliving.com