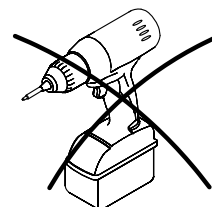
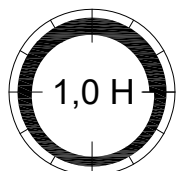
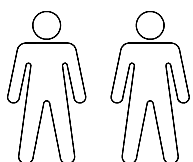
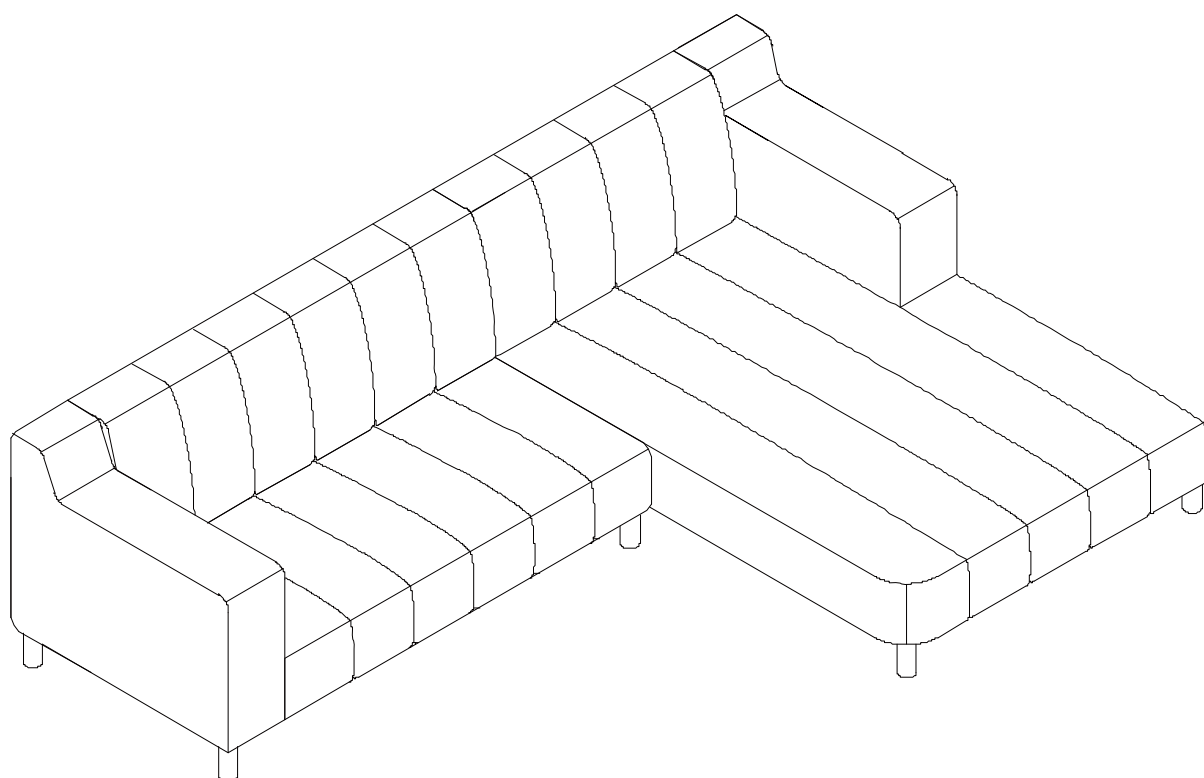
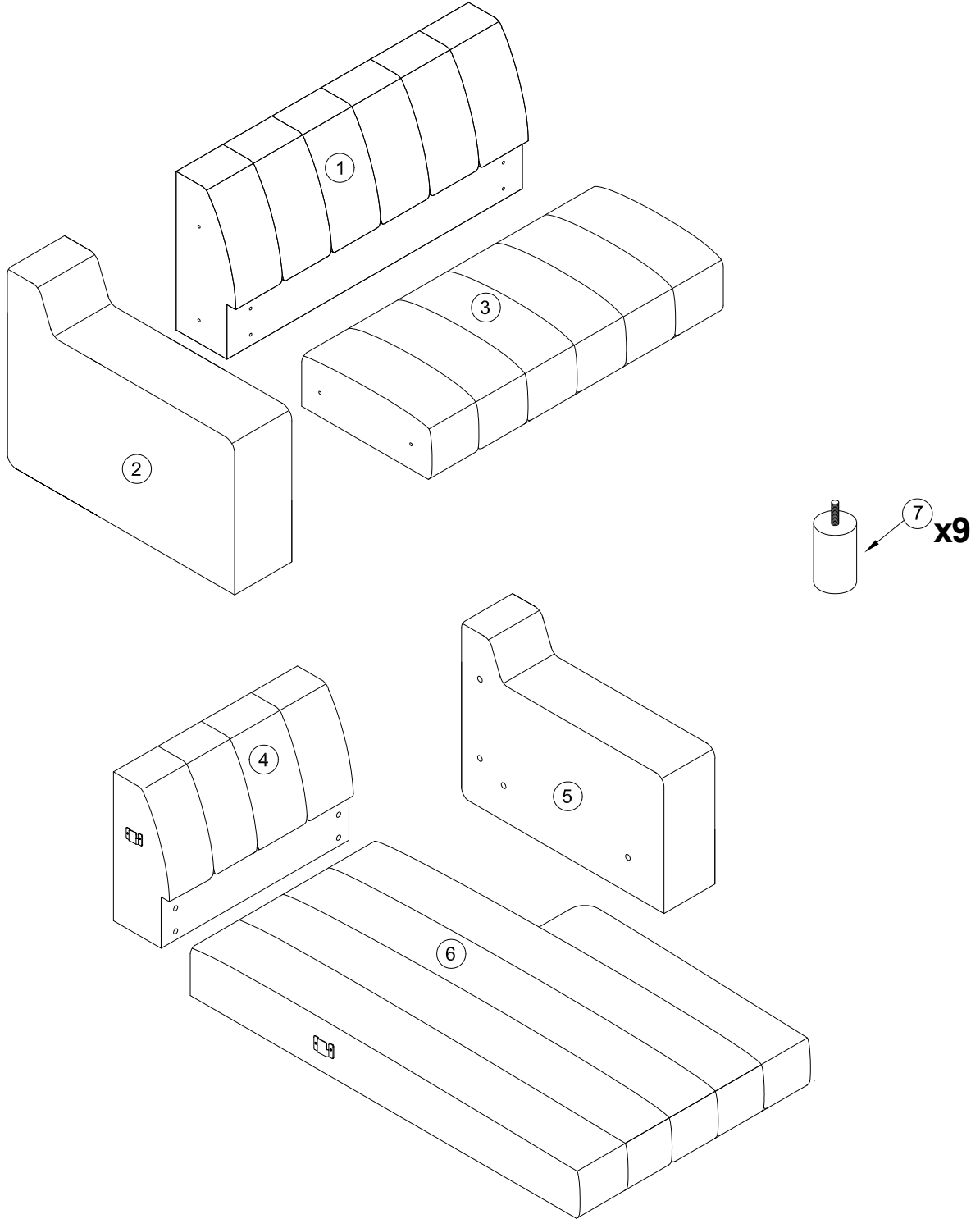


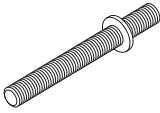
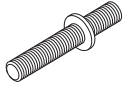
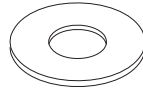
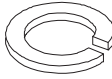
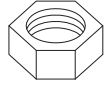
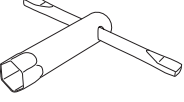
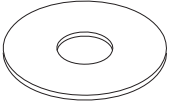
OAKLAND



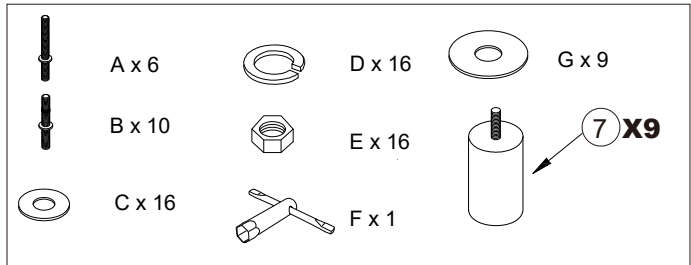
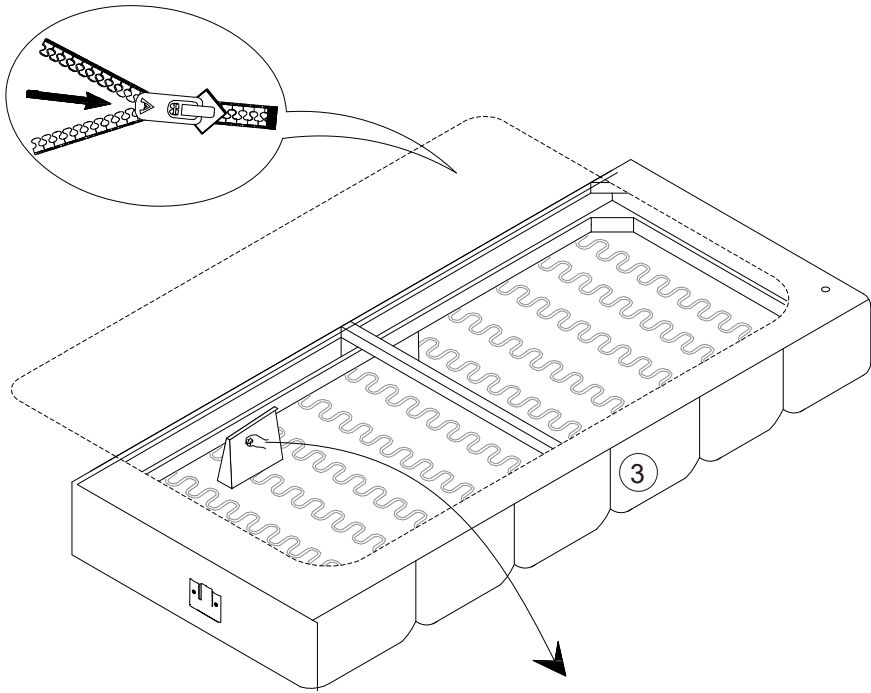
			✓
①	1	1440x330x630	
②	1	905x240x630	
③	1	1440x650x340	
④	1	960x330x630	

			✓
⑤	1	905x240x630	
⑥	1	1200x1380x340	
⑦	9	∅60x100	

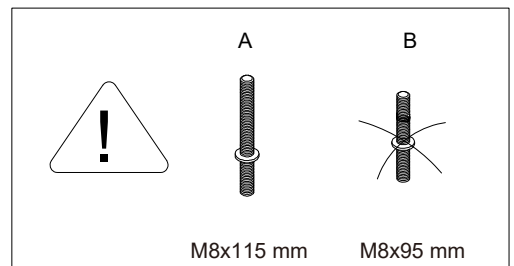
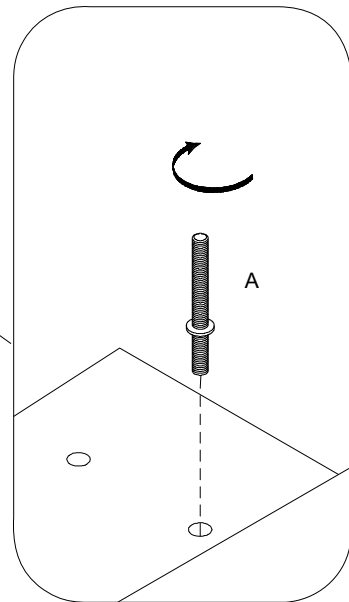
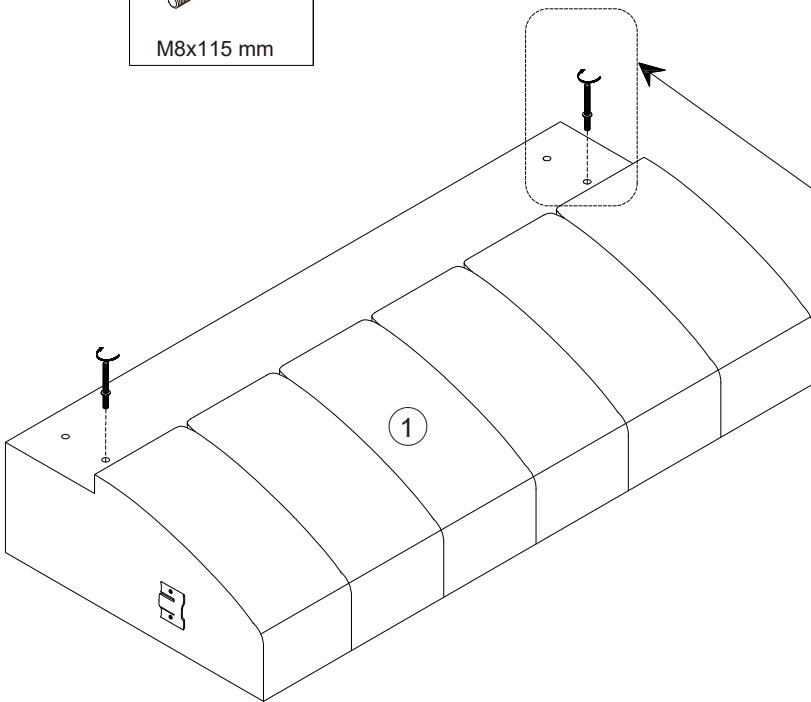
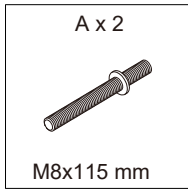


<p>A x 6</p>  <p>M8x115 mm</p>	<p>B x 10</p>  <p>M8x95 mm</p>	<p>C x 16</p>  <p>Ø8/Ø25 mm</p>	<p>D x 16</p>  <p>Ø8/Ø13 mm</p>	<p>E x 16</p>  <p>M8/14 mm</p>
<p>F x 1</p>  <p>14 mm</p>	<p>G x 9</p>  <p>Ø8/Ø70 mm</p>			

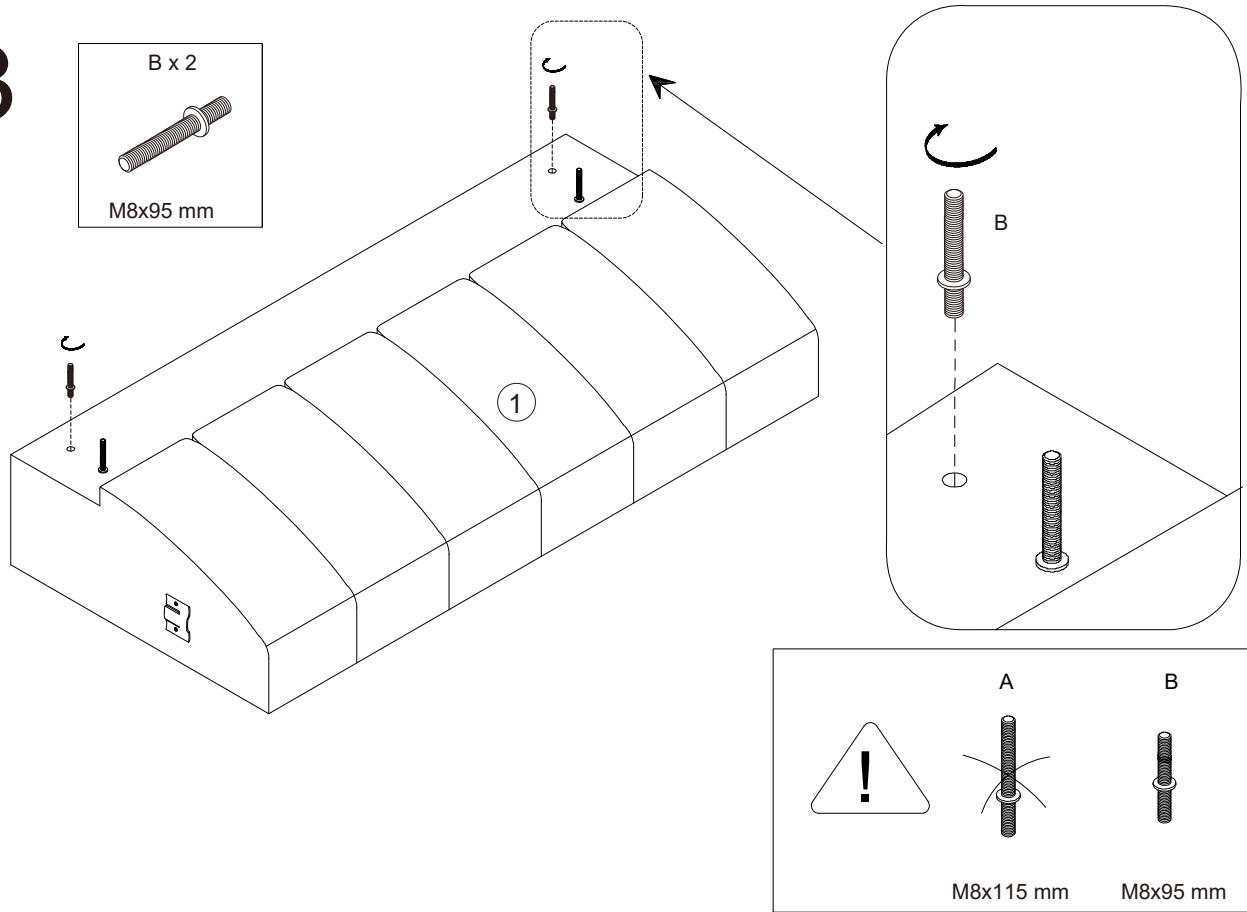
1



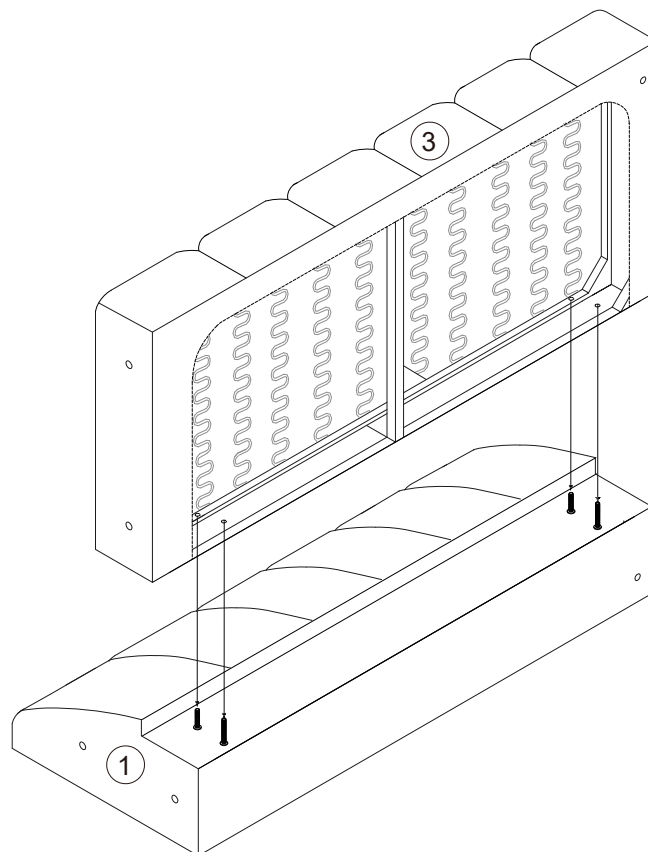
2





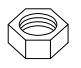
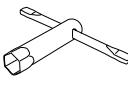
3

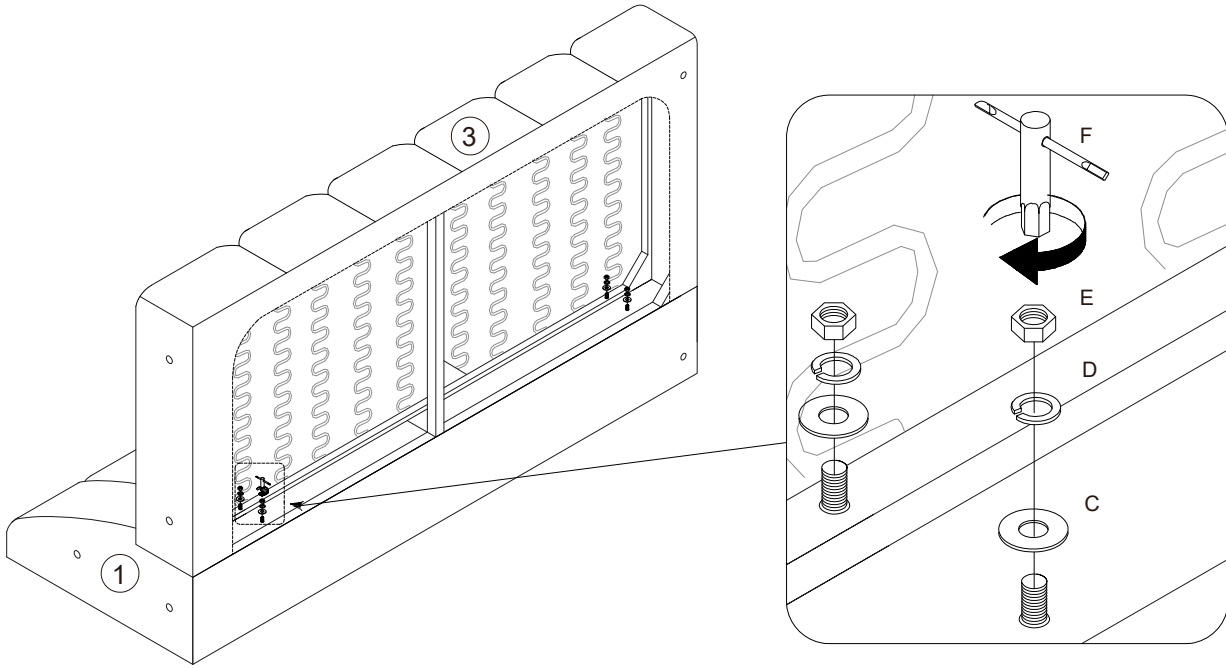


4

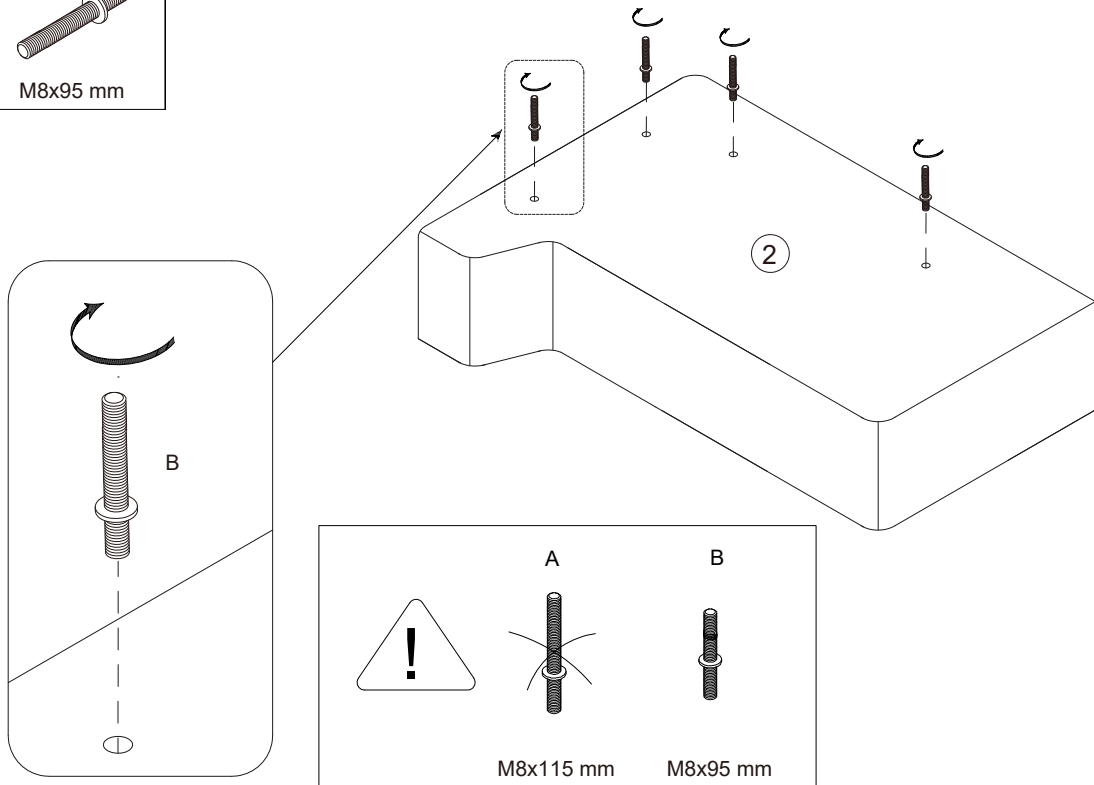
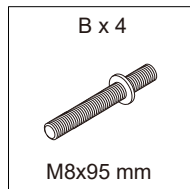


5

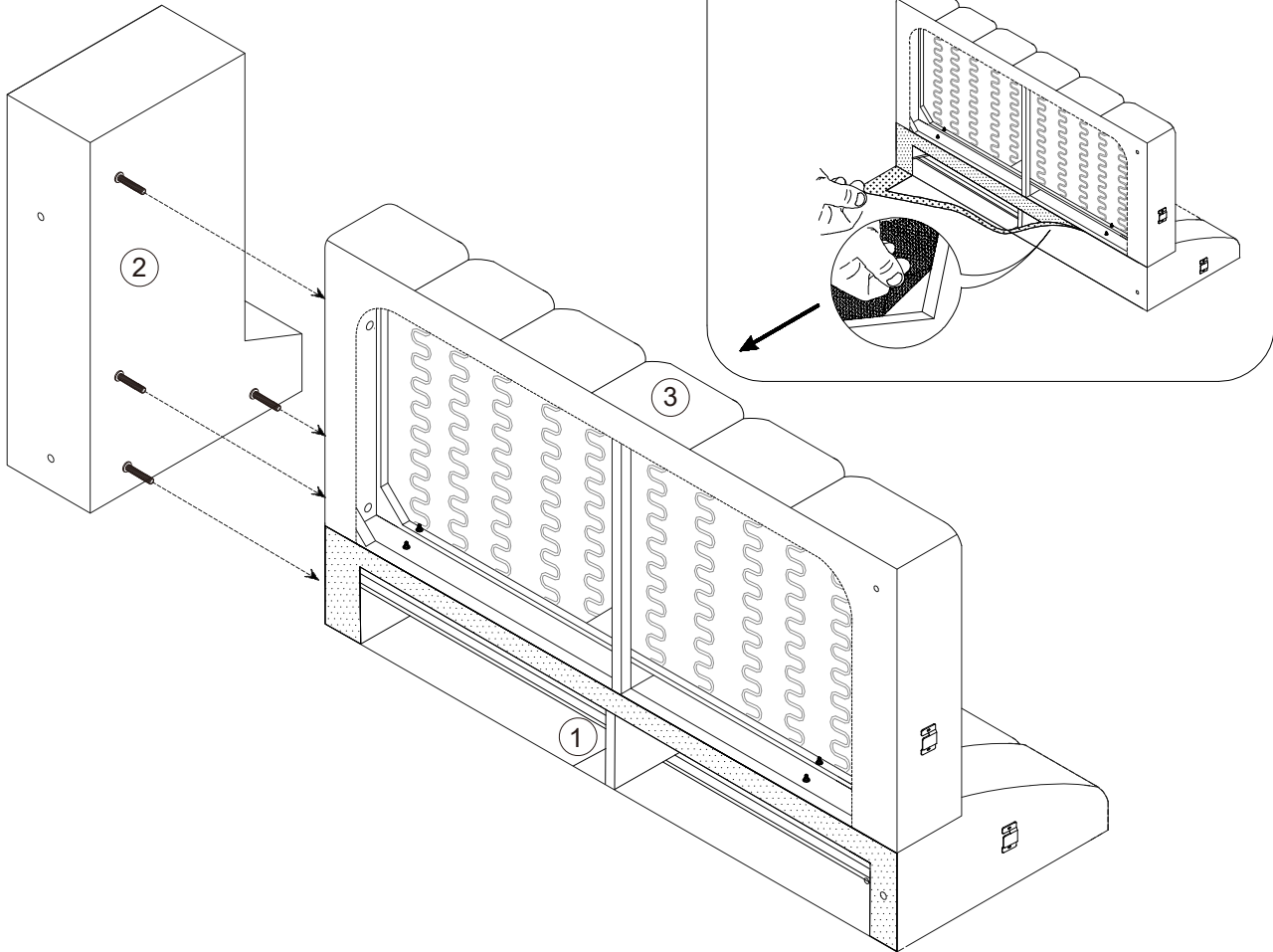
C x 4  Ø8/Ø25 mm	D x 4  Ø8/Ø13 mm	E x 4  M8/14 mm	F x 1  14 mm
---	---	--	---



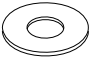

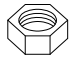
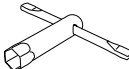
6

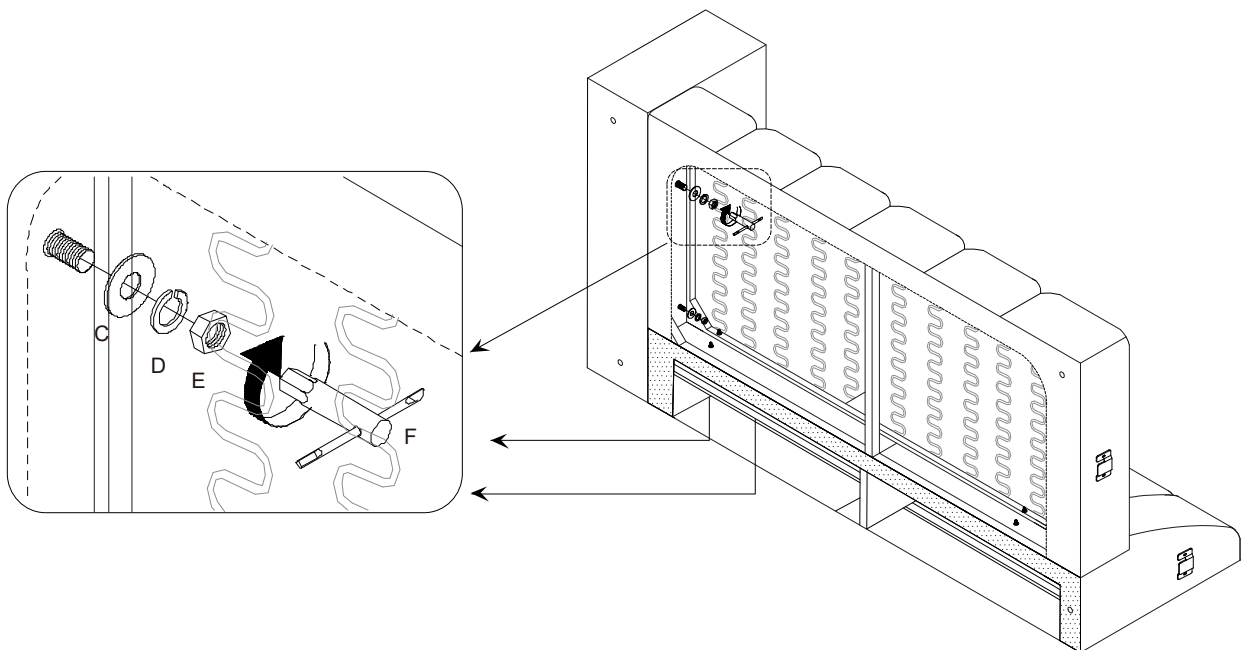


7

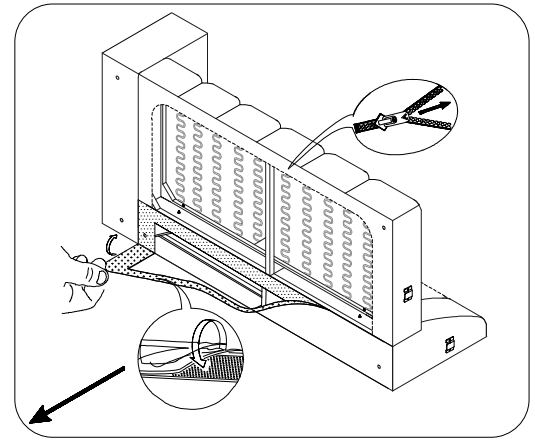
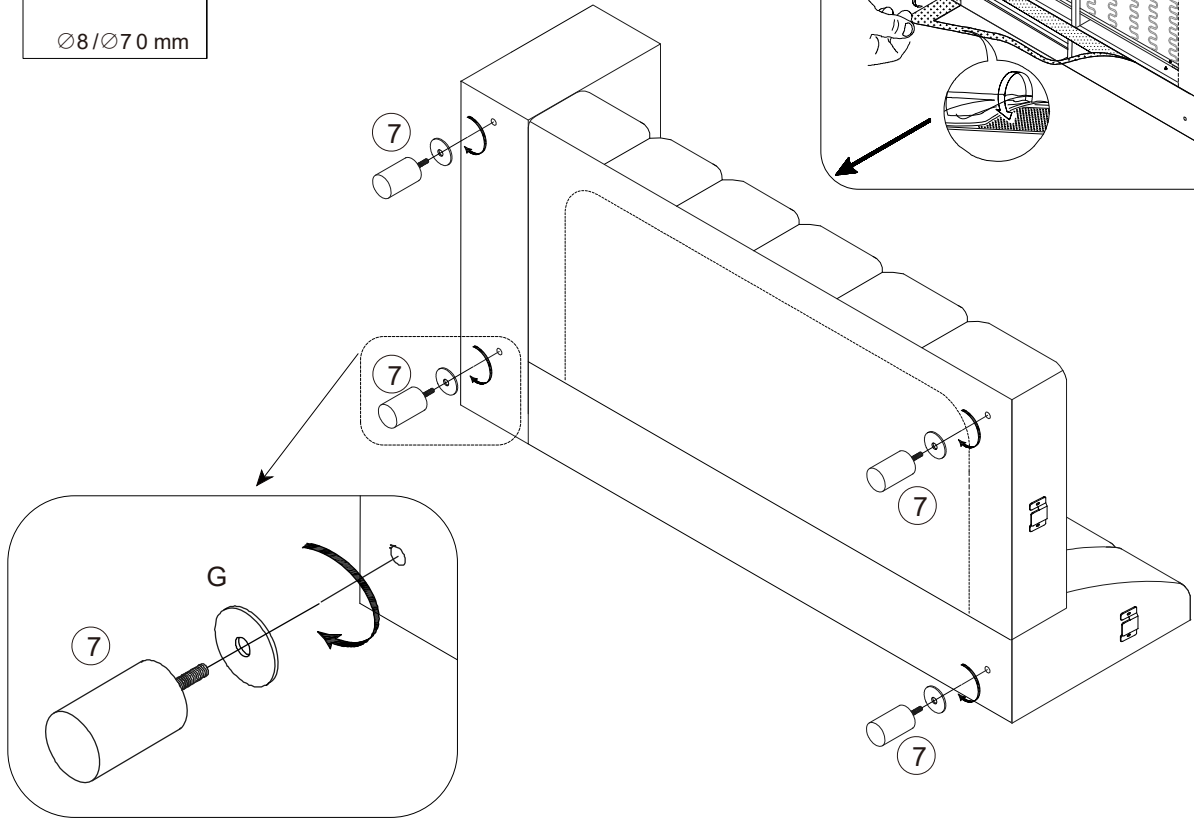
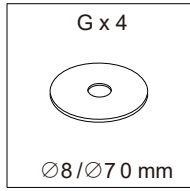


8

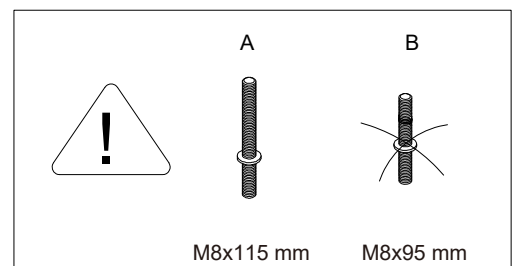
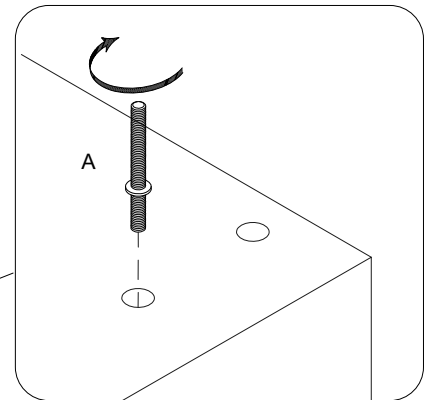
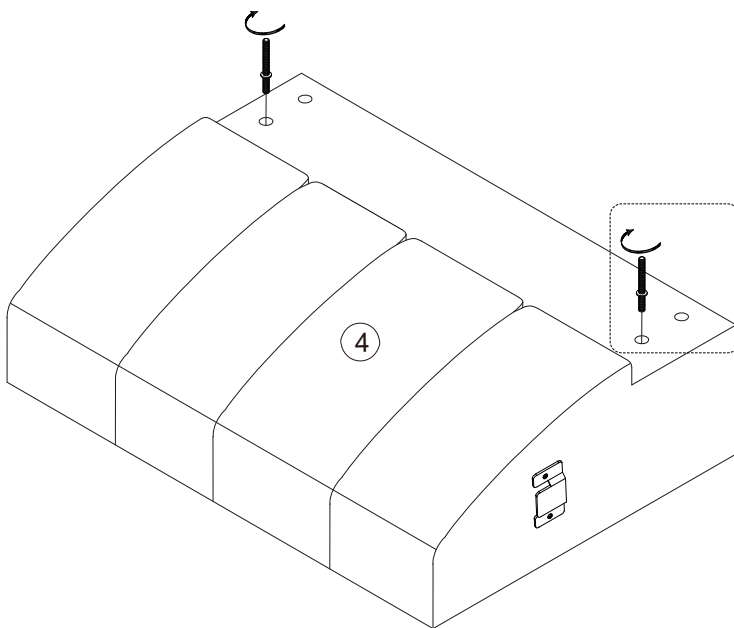
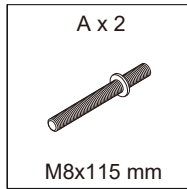
C x 4	D x 4	E x 4	F x 1
			
Ø8/Ø25 mm	Ø8/Ø13 mm	M8/14 mm	14 mm



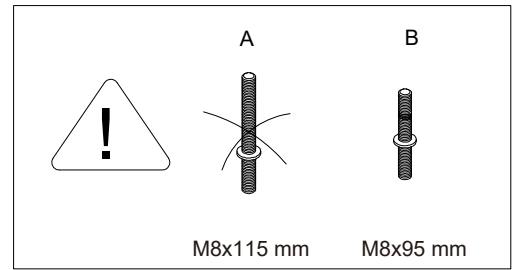
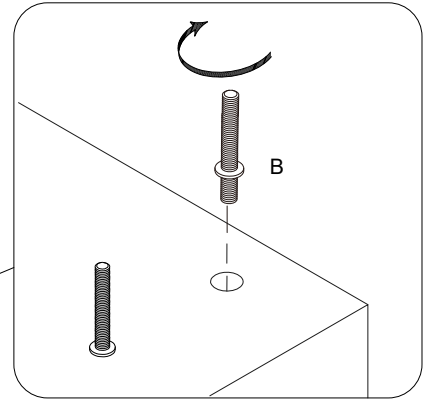
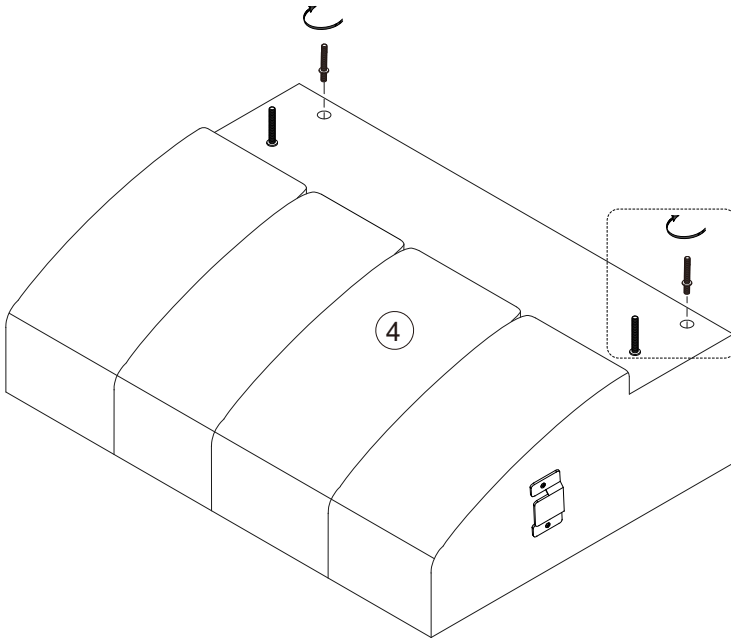
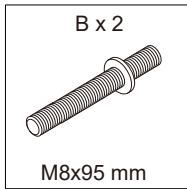
9



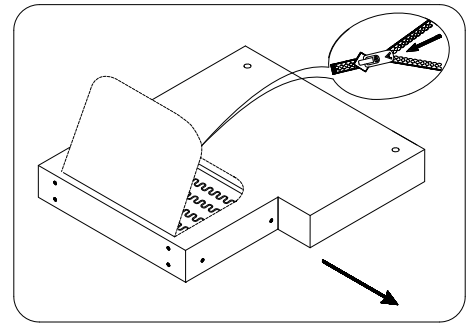
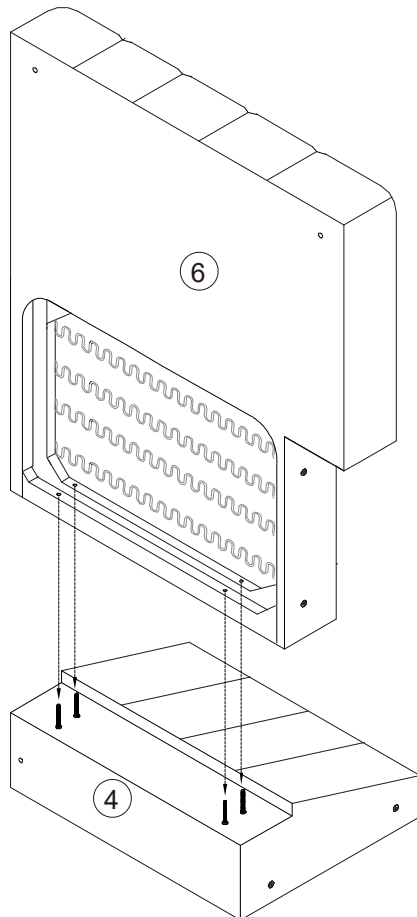
10



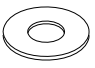

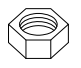
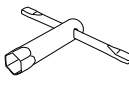
11

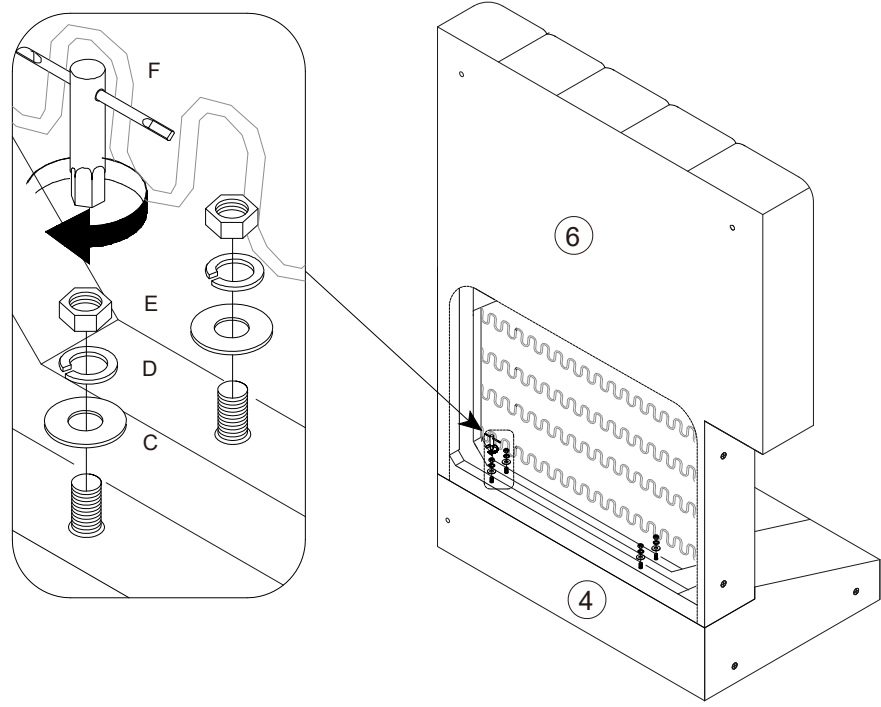


12




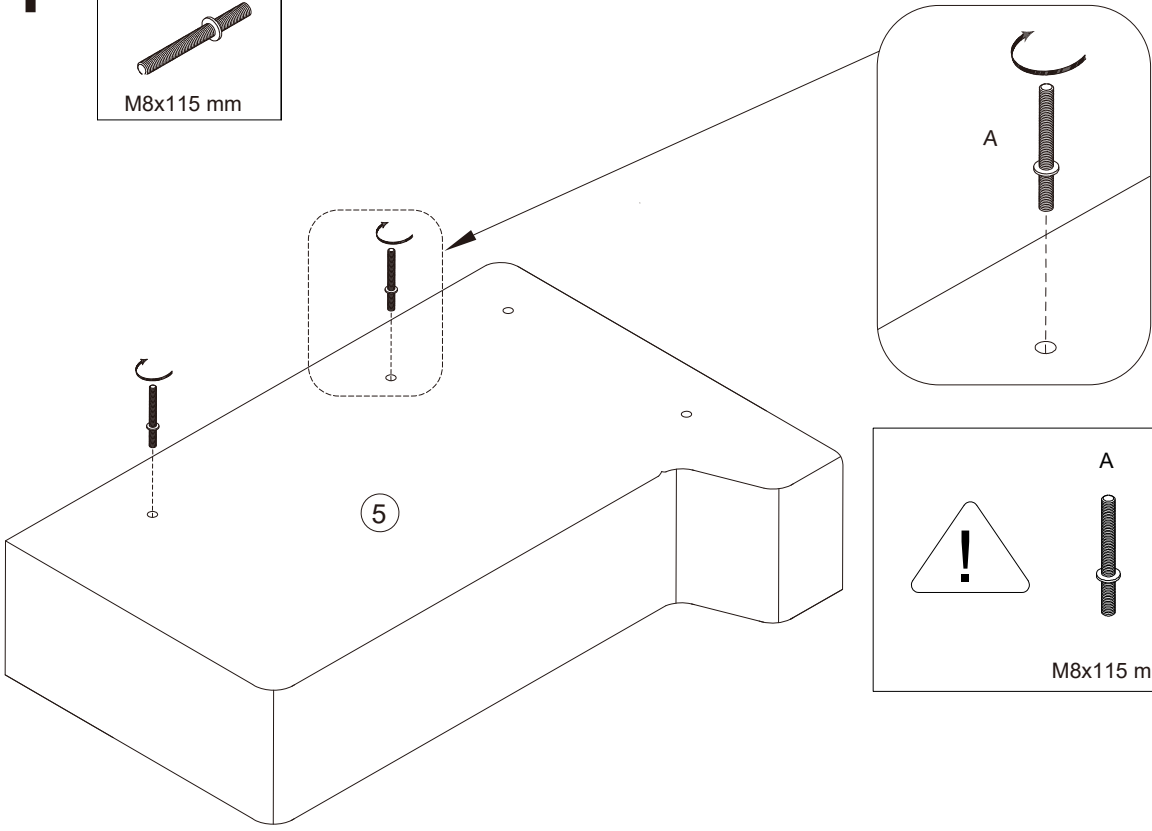
13

C x 4  Ø8/Ø25 mm	D x 4  Ø8/Ø13 mm	E x 4  M8/14 mm	F x 1  14 mm
---	---	--	---

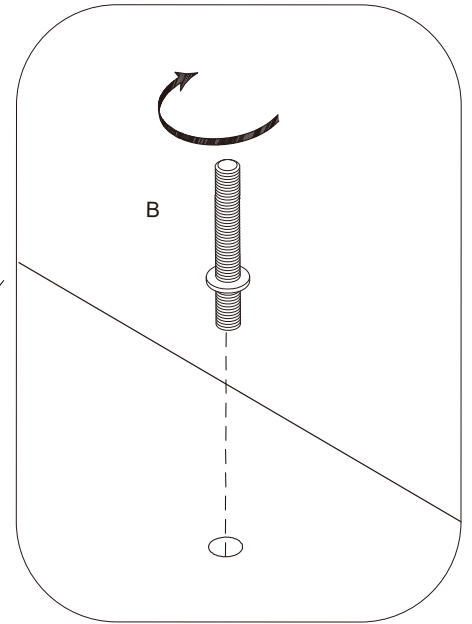
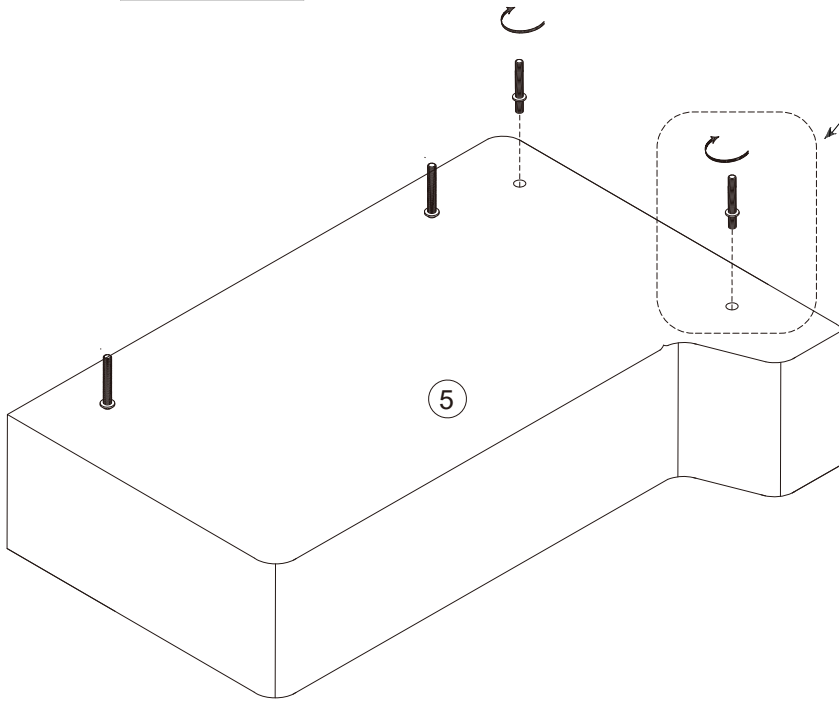
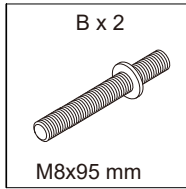


14

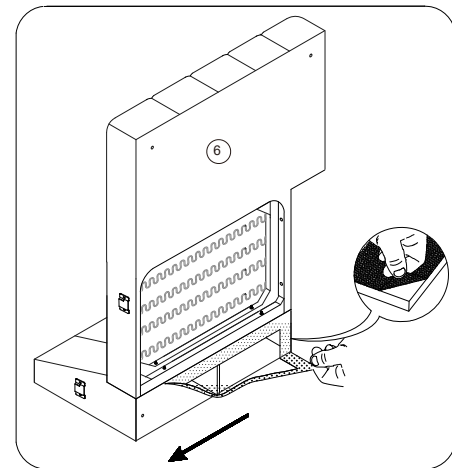
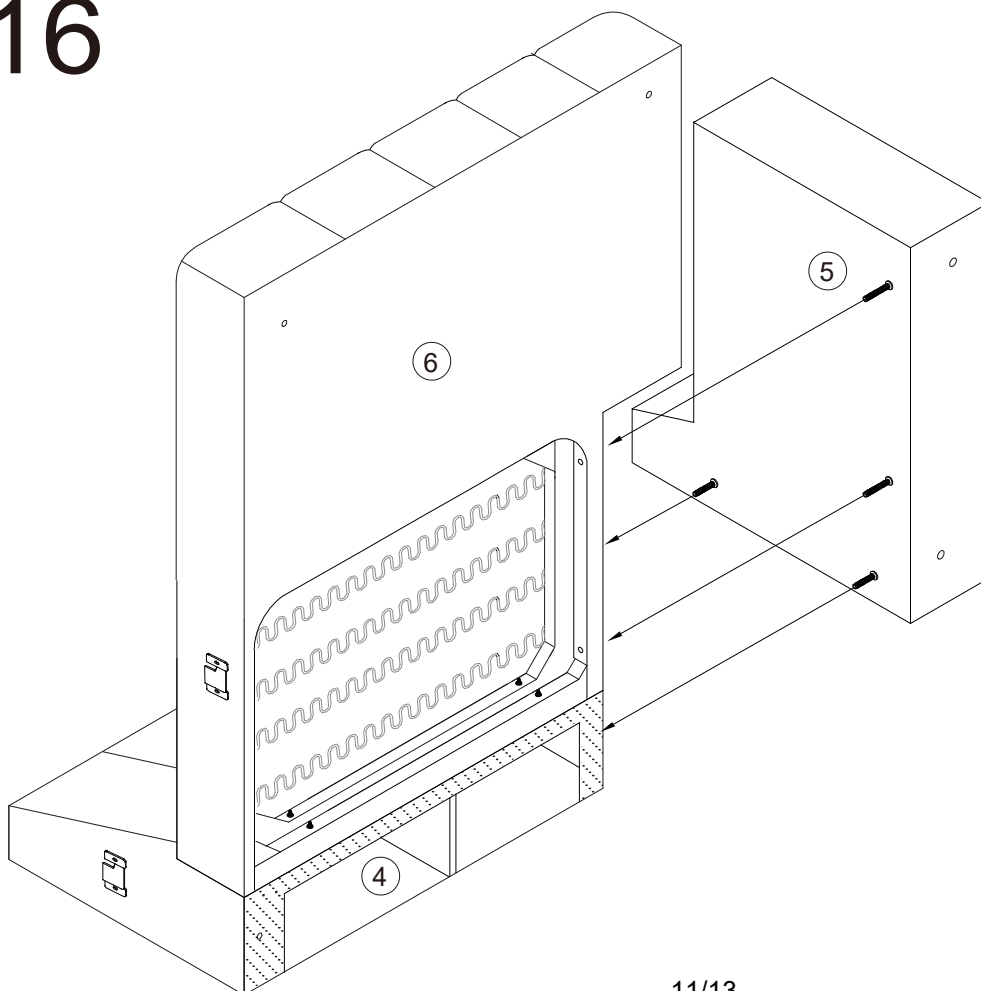
A x 2  M8x115 mm





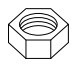
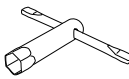
15

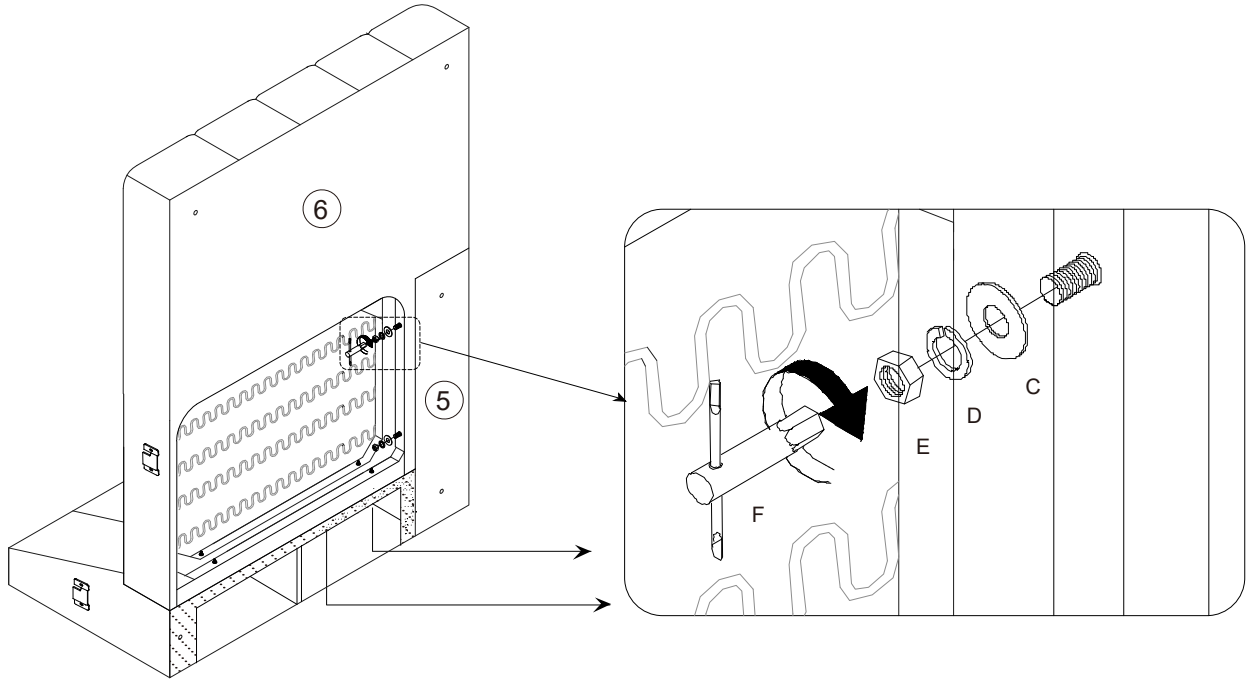


16




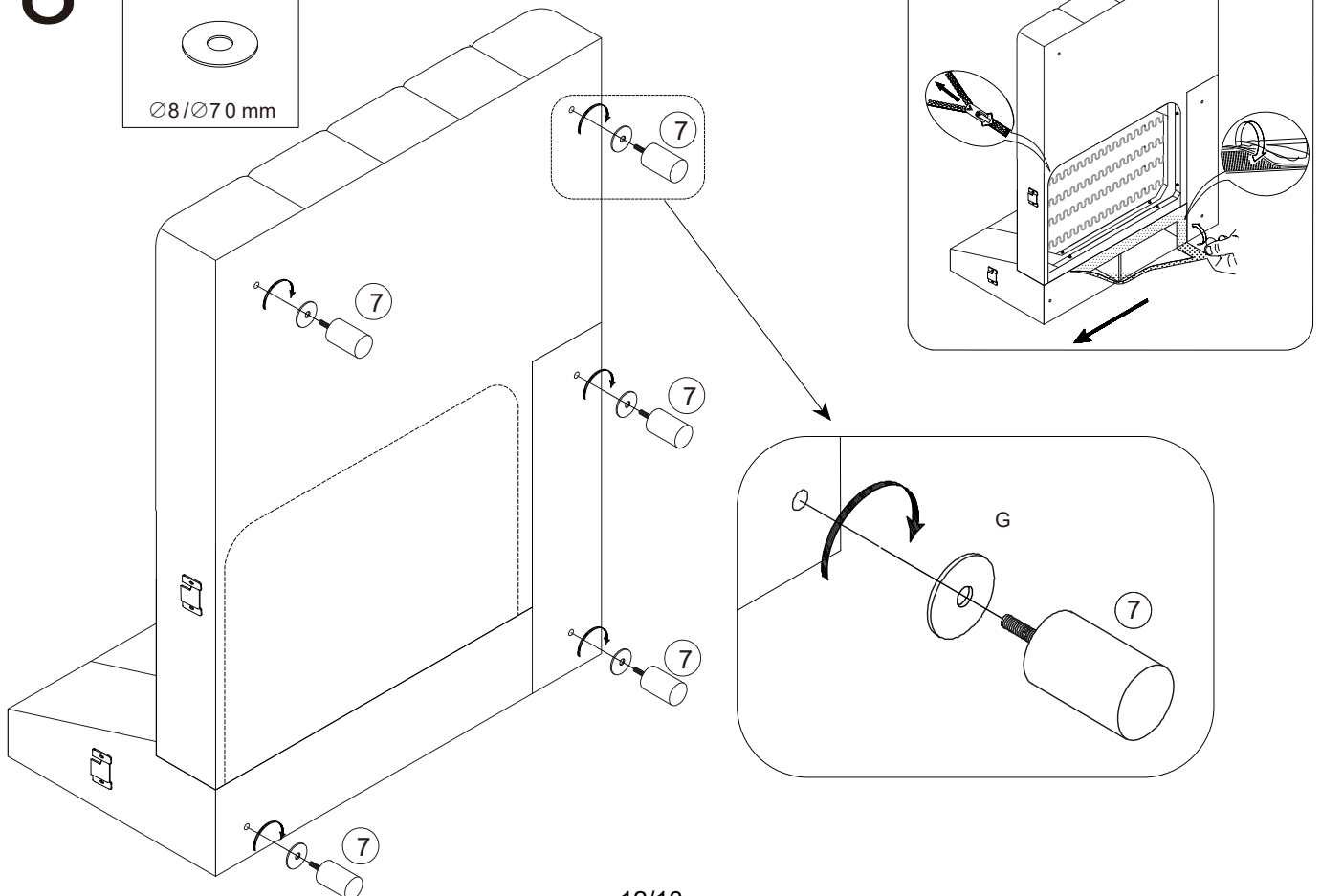
17

C x 4  Ø8/Ø25 mm	D x 4  Ø8/Ø13 mm	E x 4  M8/14 mm	F x 1  14 mm
---	---	--	---

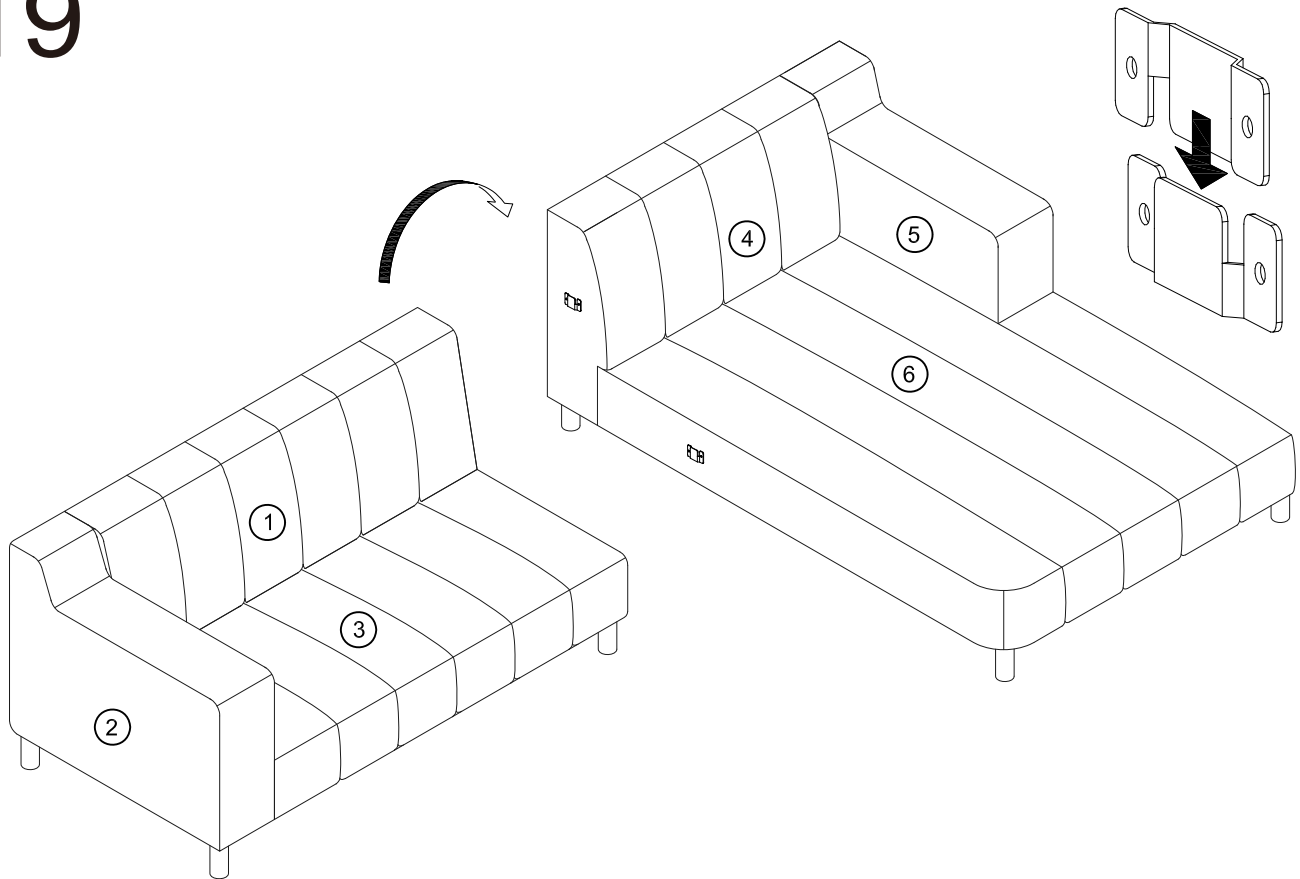


18

G x 5  Ø8/Ø70 mm



19



20

