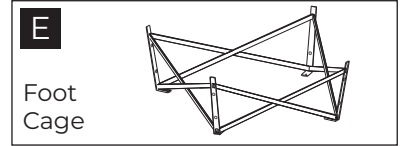
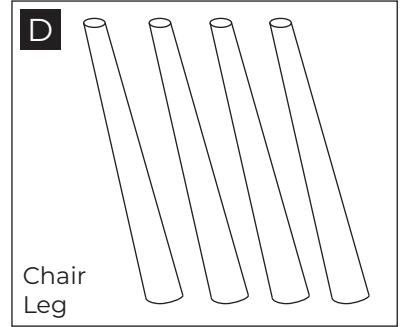
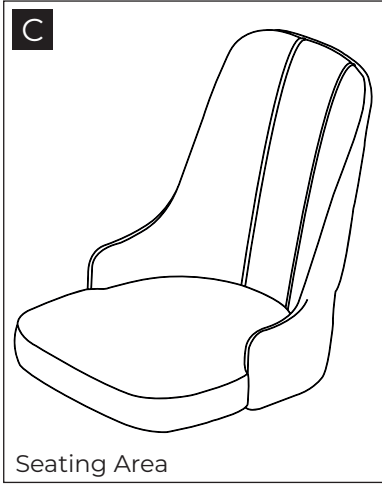
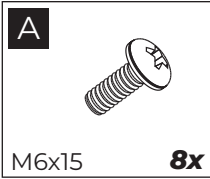


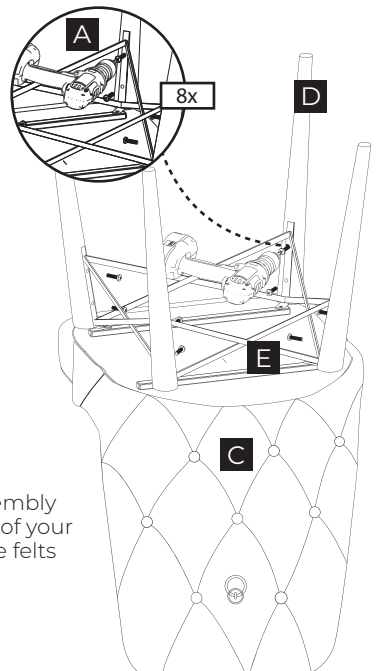
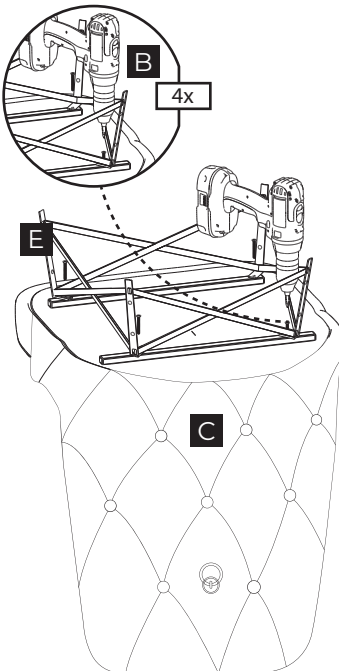
PARE SERIES CHAIR INSTALLATION INSTRUCTIONS

Shipping Content



Assembly Stages

- 1 Turn the Chair Seating Area (**C**) included in the cargo upside down. Place it on a ground. Place the Foot Cage (**E**) under the chair first. Place it in the screw holes and screw it.
- 2 Chair in Foot Cage mounted in Seating Area (**C**) Screw the feet (**D**) from the outside as shown in the image.



○ Chair after assembly on the bottom of your feet placing the felts Don't forget.