

ATTACHMENT  
LIST

ATTACHMENT  
LIST

# HOMELIFE SERIES

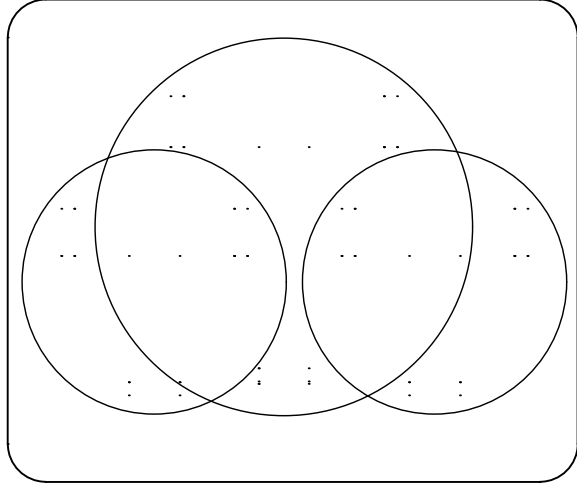
HOMELIFE COFFE TABLE

PRODUCT CODE;



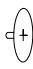
32 TRZ-HOMELIFE 0005-

PACKING CODE:

1. ST-HOMELIFE ZİGON SEHPA 1-(1)



## ATTACHMENTS

NAME	MINIFIX BODY	MINIFIX MILE	MINIFIX TAPA			
SHAPE	002 	003 	006 			
TOTAL	42	42	42			

NAME						
SHAPE						
TOTAL						

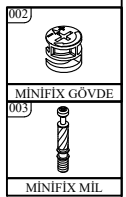
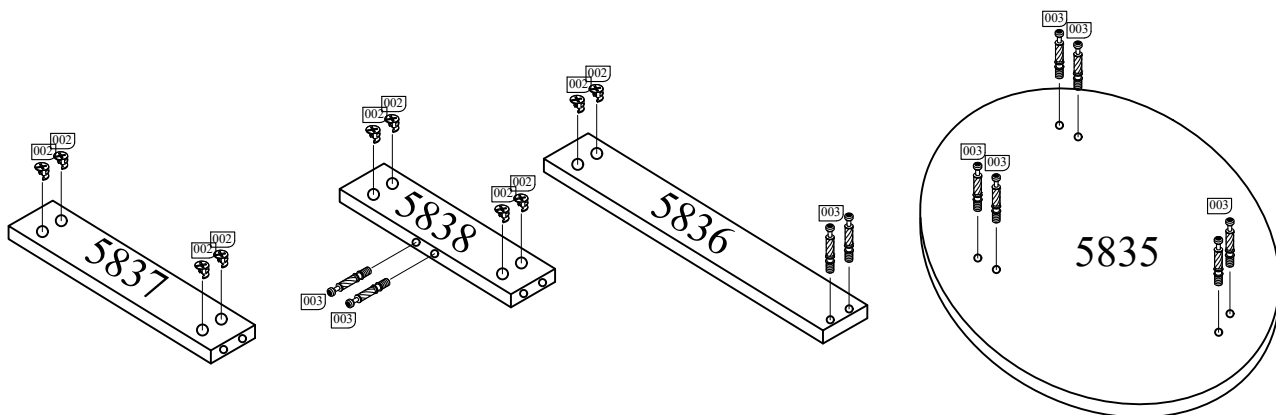
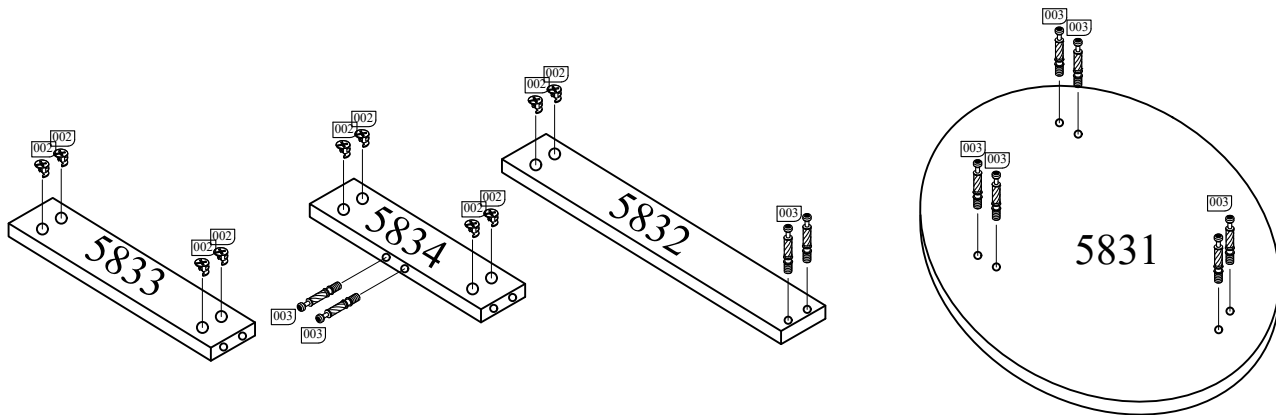
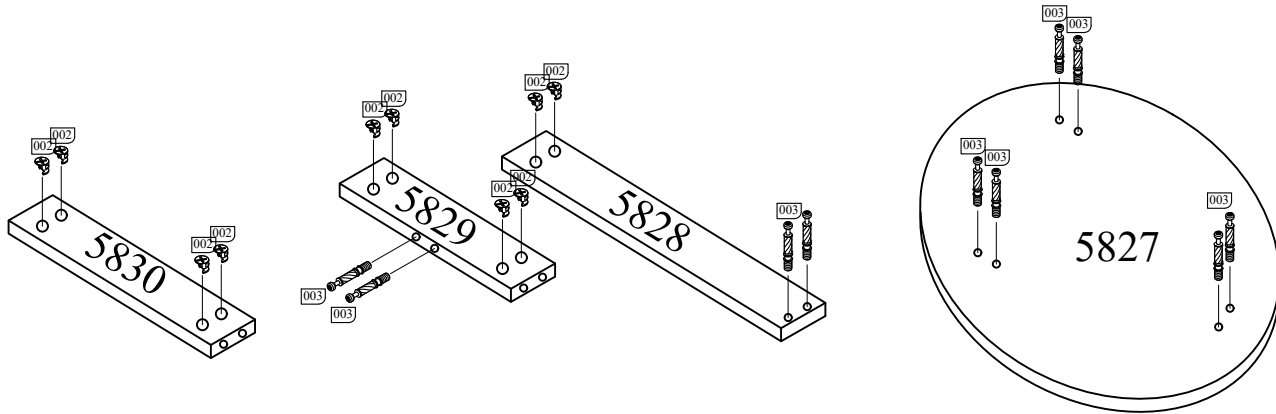
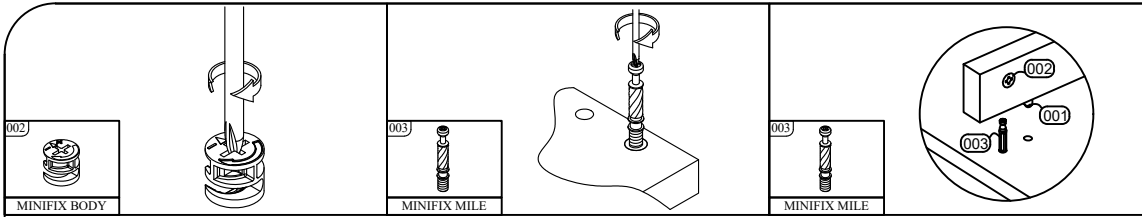
NAME						
SHAPE						
TOTAL						

NAME						
SHAPE						
TOTAL						

NAME						
SHAPE						
TOTAL						



# HOMELIFE COFFE TABLE



# HOMELIFE COFFE TABLE

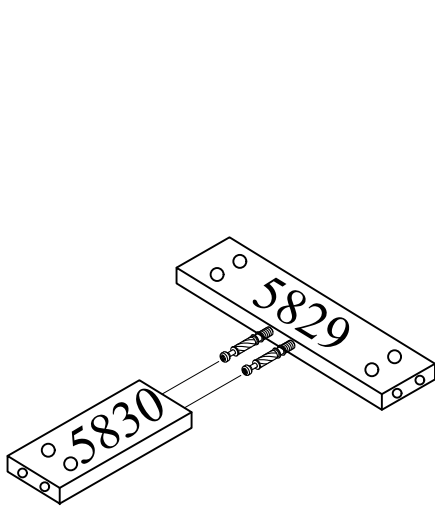
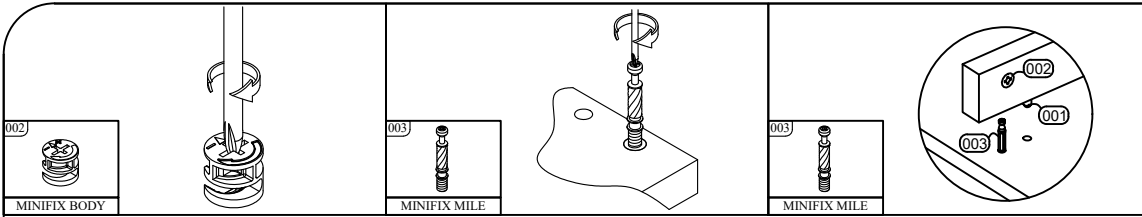


DIAGRAM 1

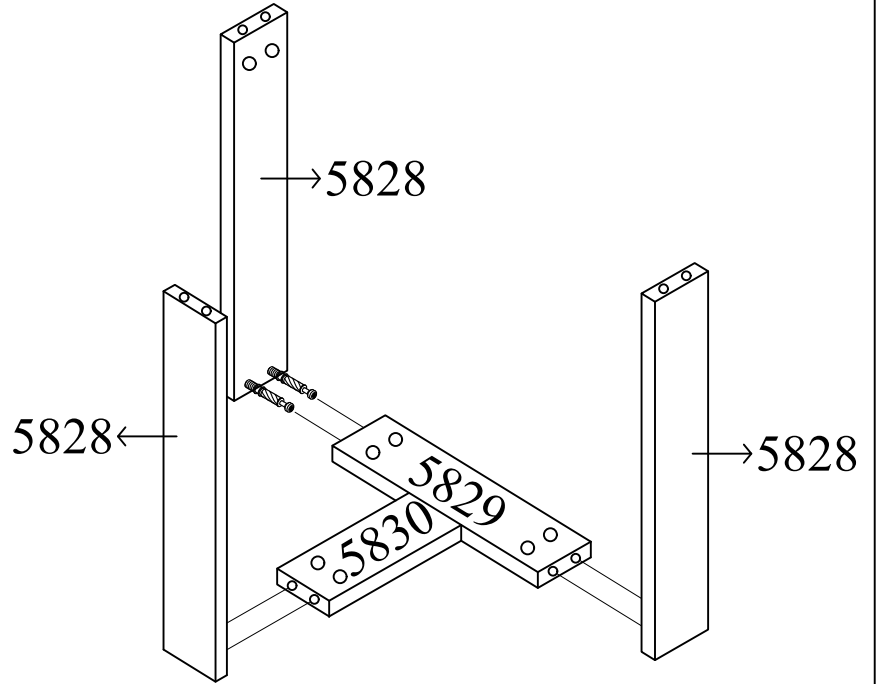


DIAGRAM 2

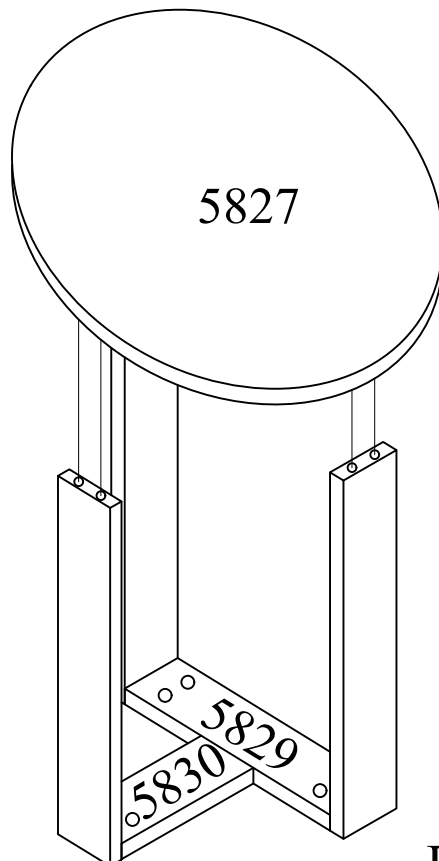


DIAGRAM 3