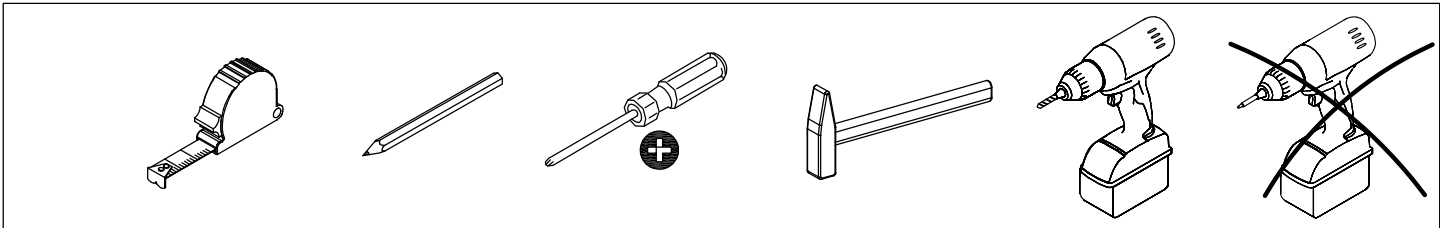
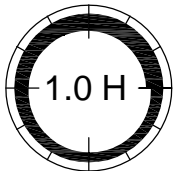
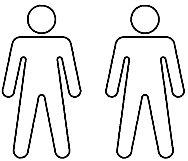
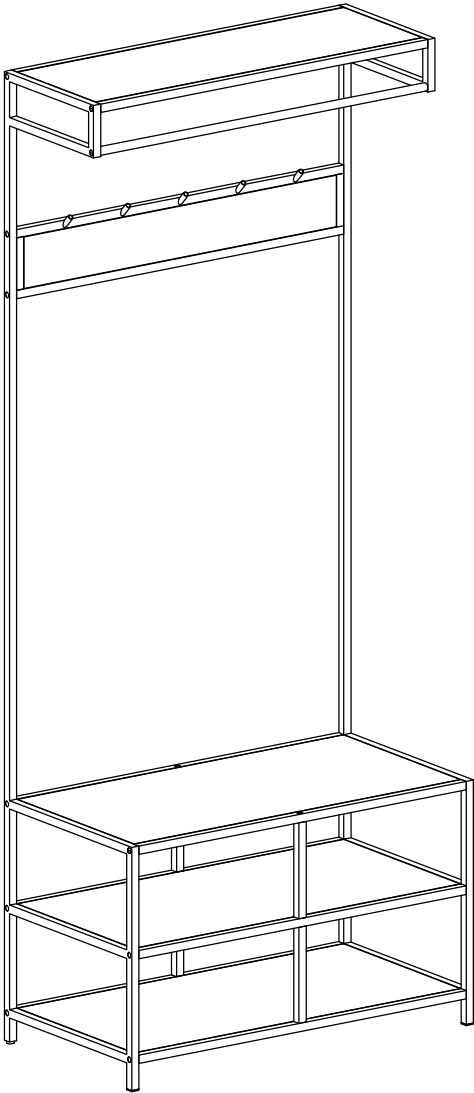
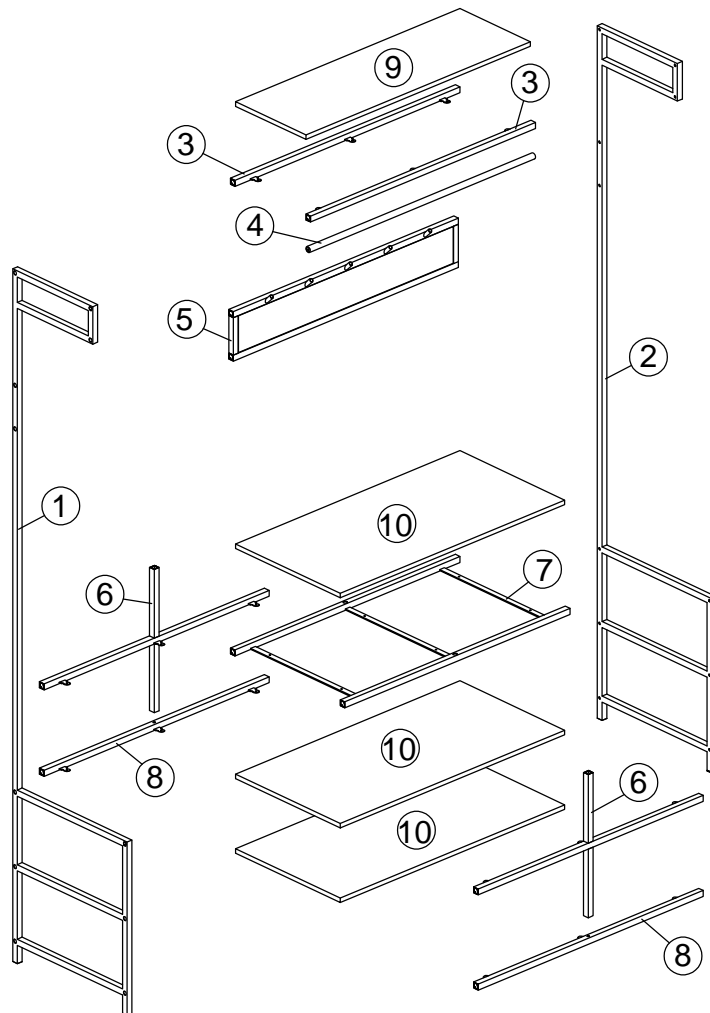
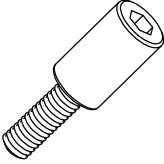

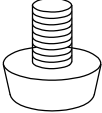

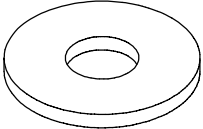
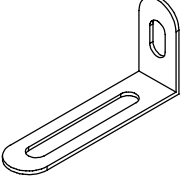



# SEAFORD

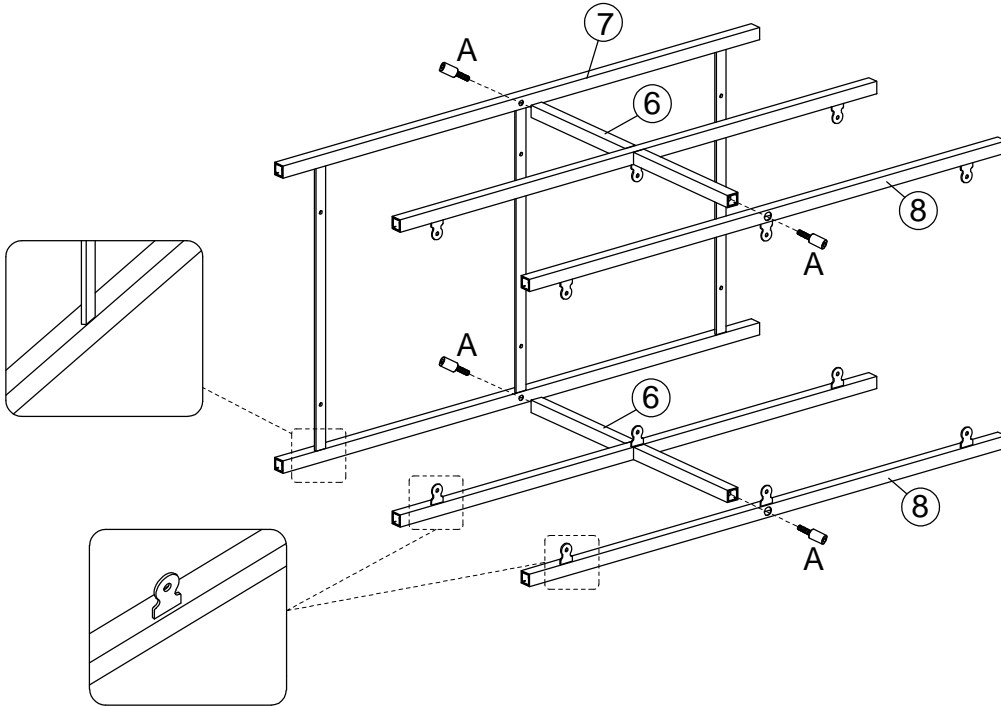
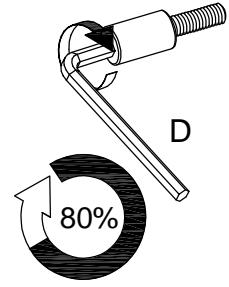
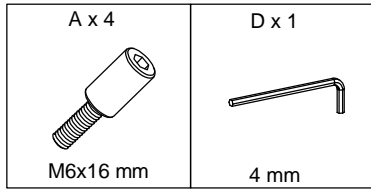


			✓
①	1	1850x400x16	
②	1	1850x400x16	
③	2	738x36x16	
④	1	738xØ16	
⑤	1	738x147x40	
⑥	2	738x382x36	
⑦	1	738x400x16	
⑧	2	738x36x16	
⑨	1	737x247x12	
⑩	3	737x366x12	

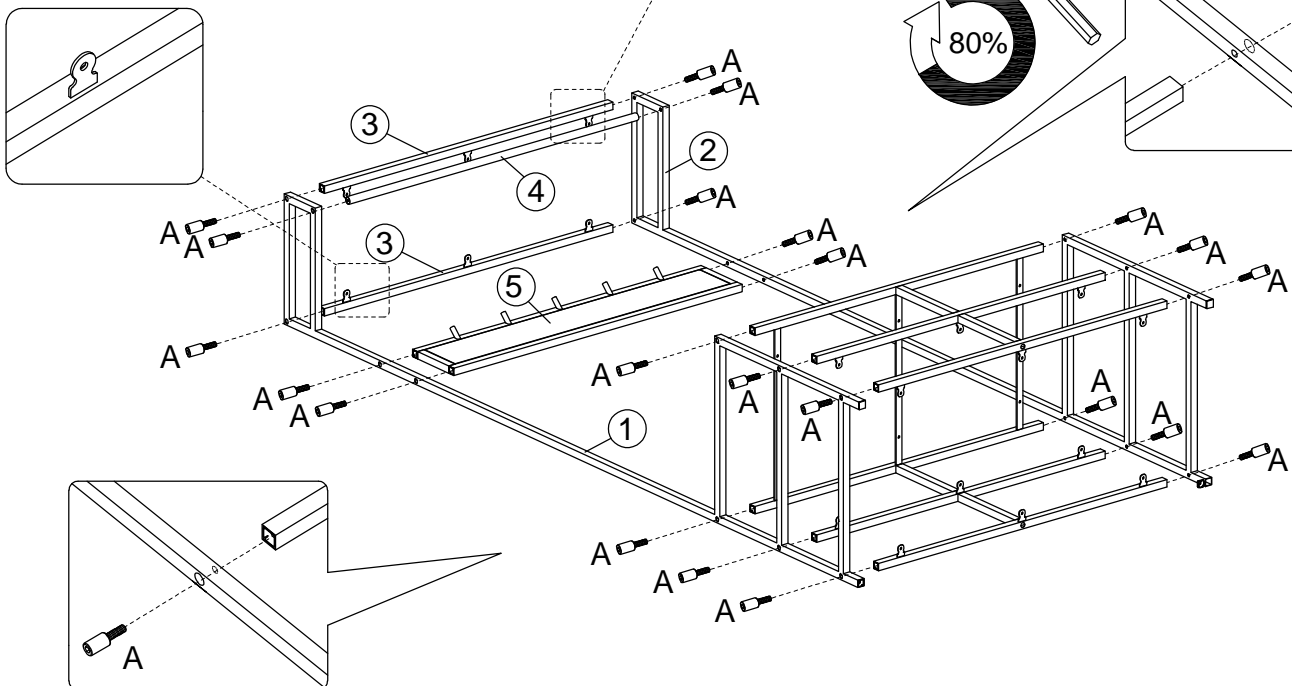
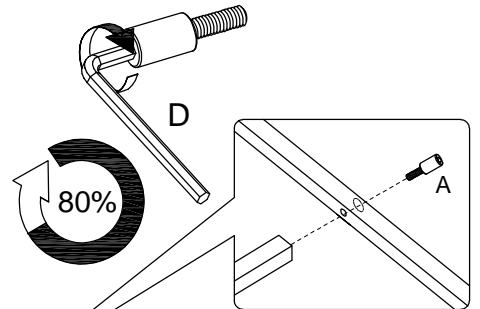
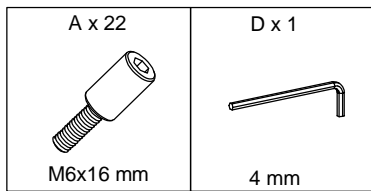


<p>A x 26</p>  <p>M6x16 mm</p>	<p>B x 24</p>  <p>Ø4x12 mm</p>	<p>C x 2</p>  <p>Ø13x6xM6x15 mm</p>	<p>D x 1</p>  <p>4 mm</p>	<p>E x 4</p>  <p>Ø6/Ø16x1.5 mm</p>
<p>F x 2</p>  <p>75x25x16 mm</p>	<p>G x 4</p>  <p>Ø4x14 mm</p>			

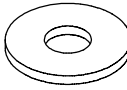
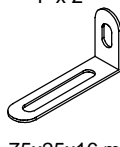

# 1

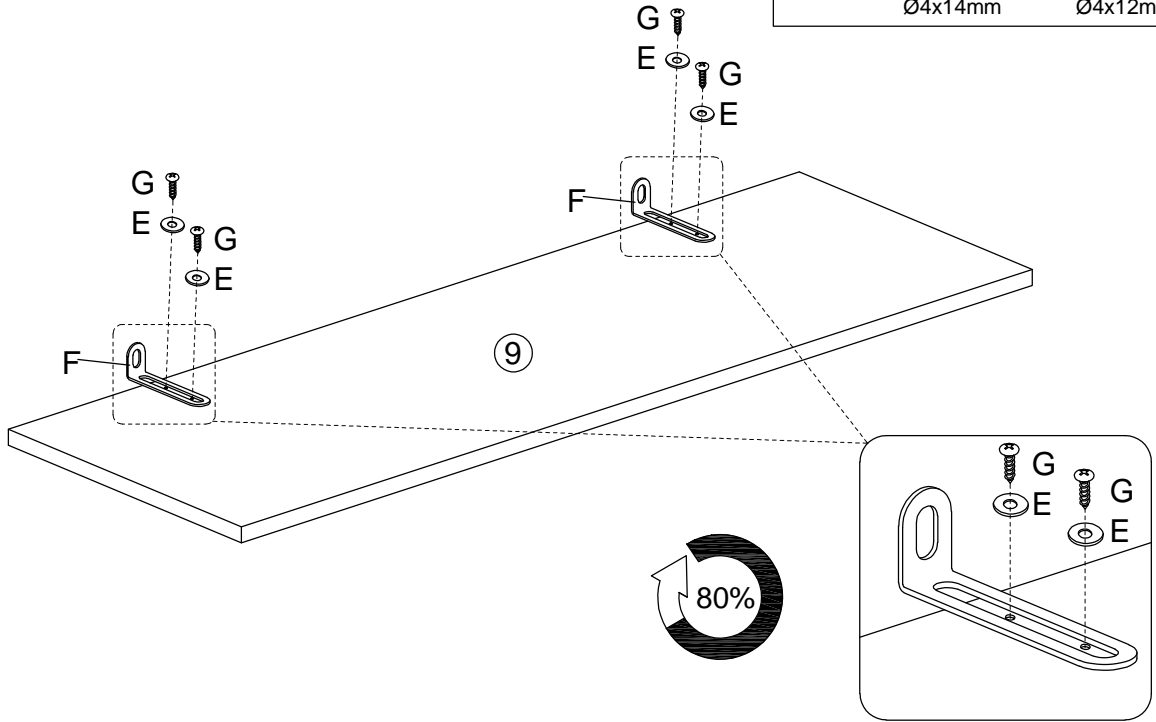
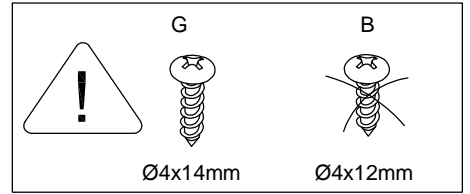
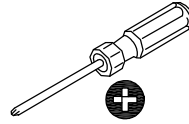


# 2

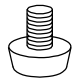


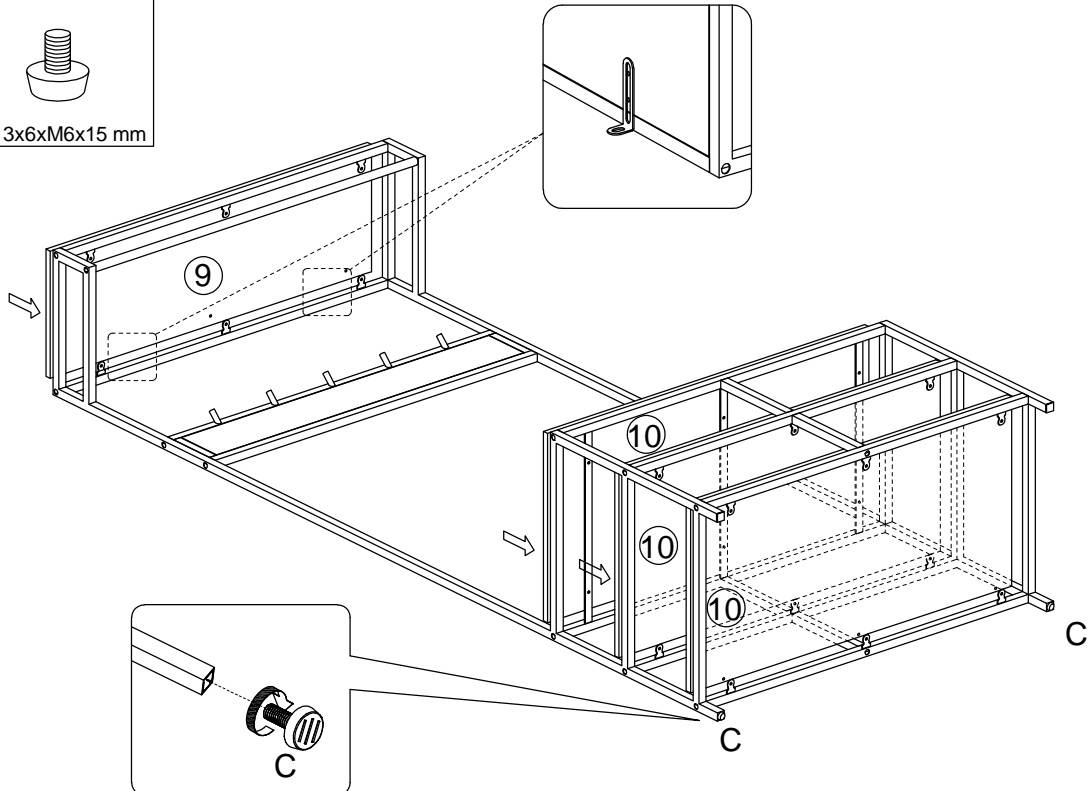
# 3

E x 4  Ø6/Ø16x1.5 mm	F x 2  75x25x16 mm	G x 4  Ø4x14 mm
---	---	--

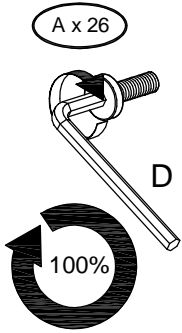
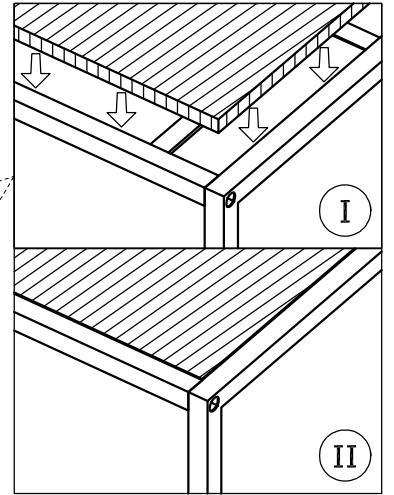
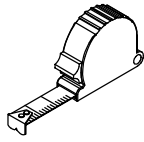
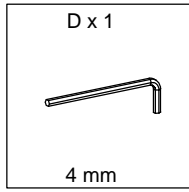


# 4

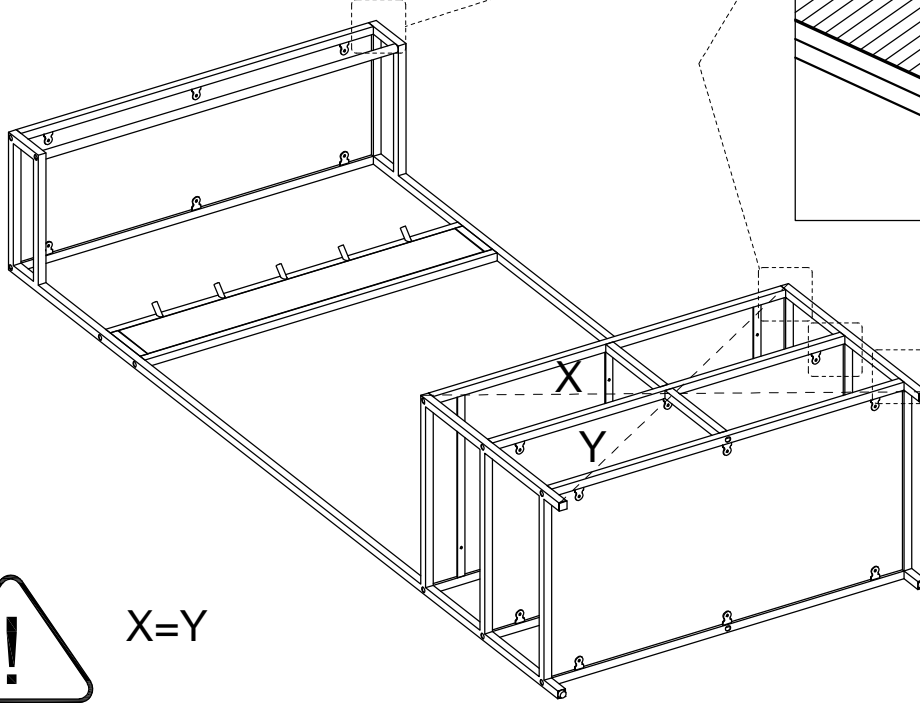
C x 2  Ø13x6xM6x15 mm
--



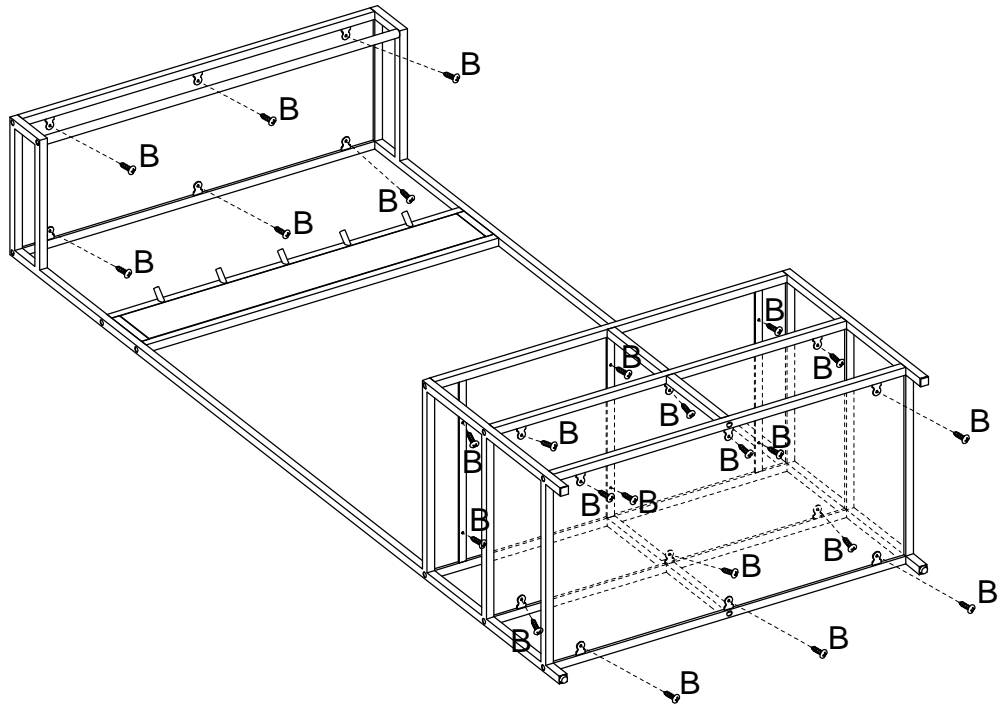
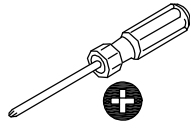
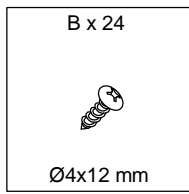
# 5



X=Y



# 6



7

