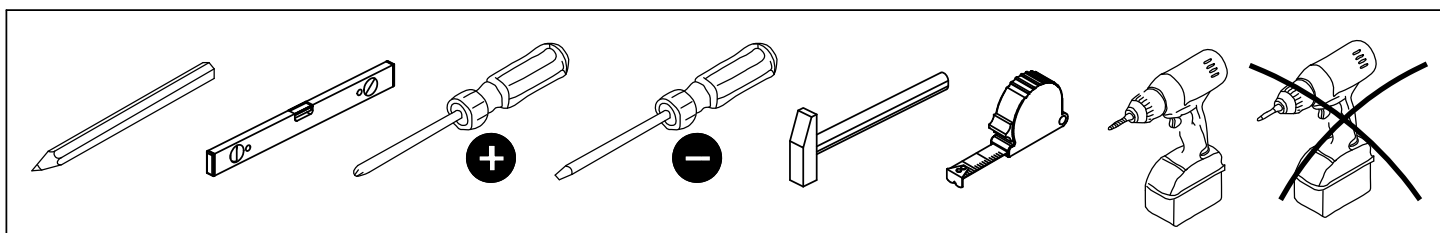
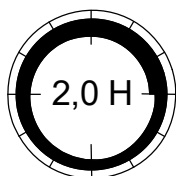
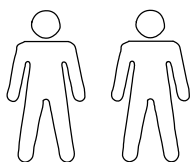
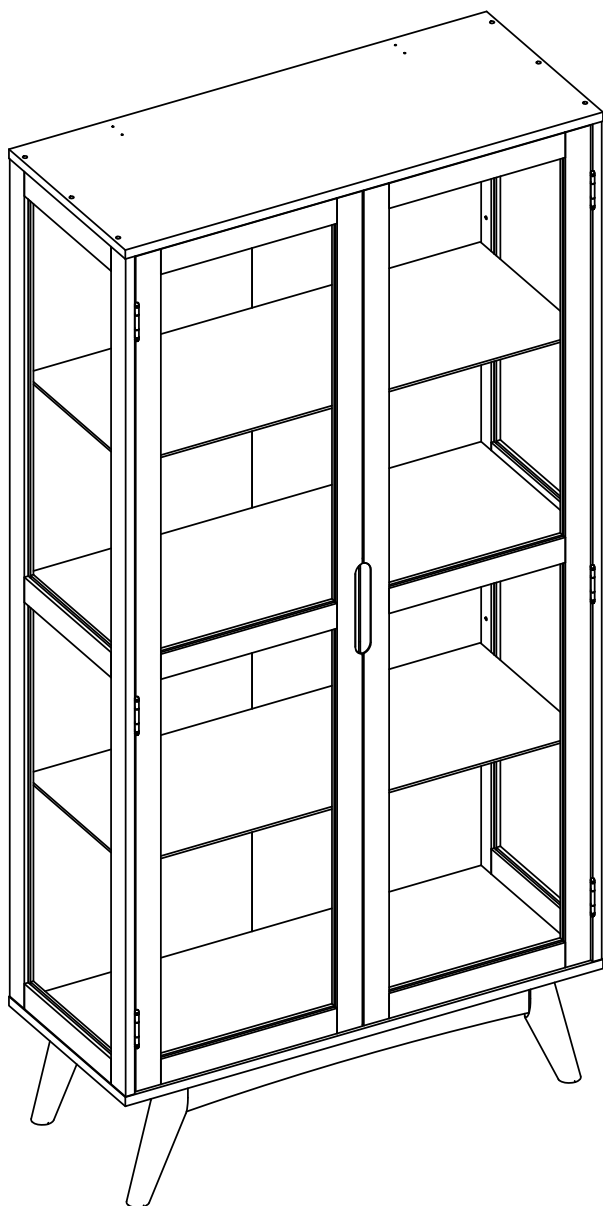
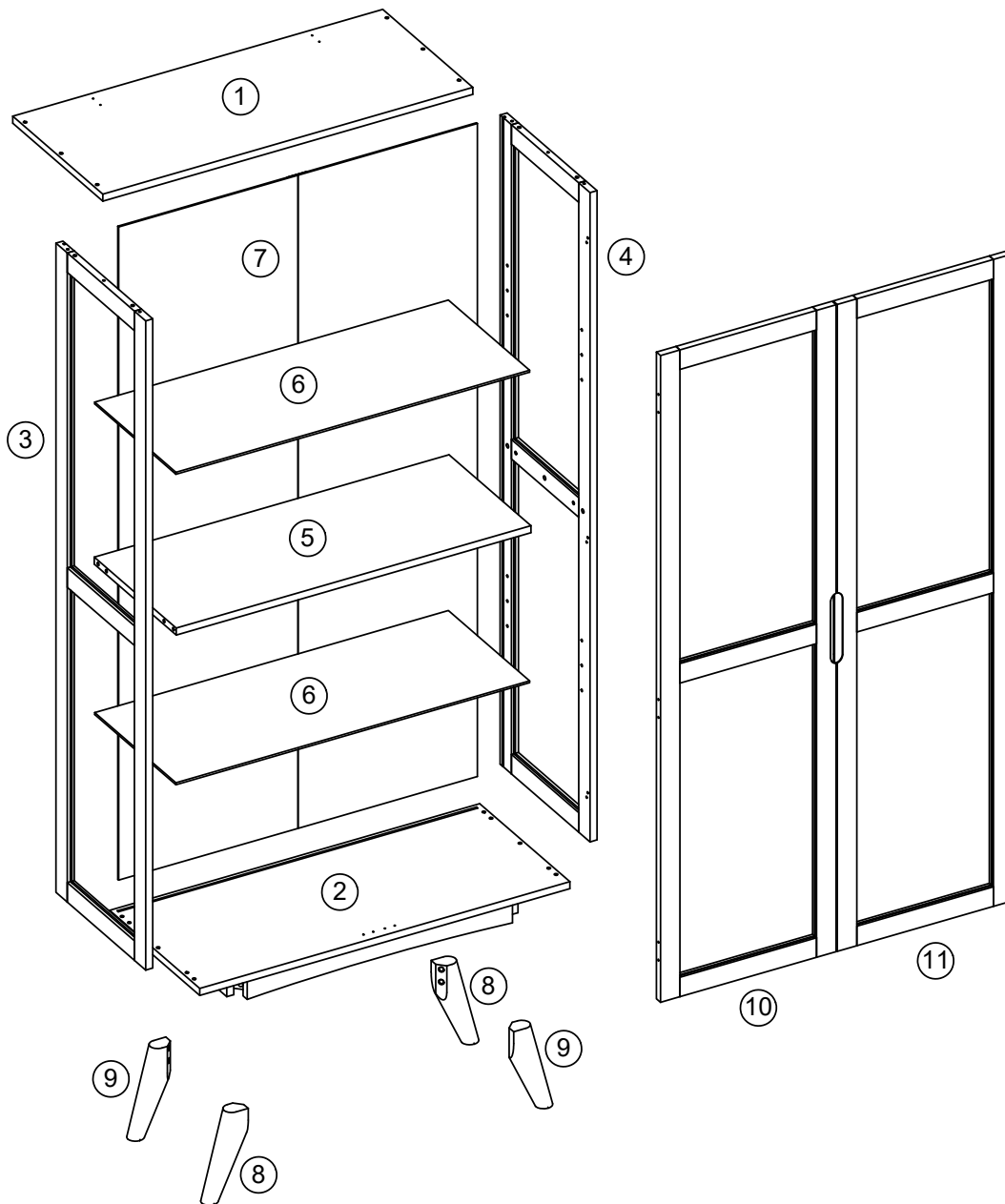


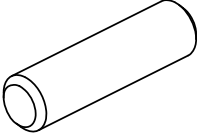
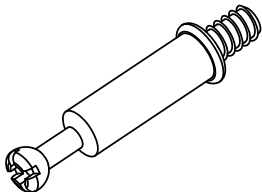
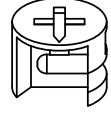
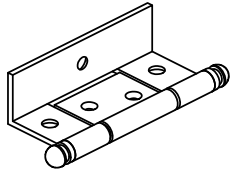
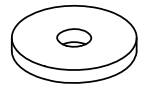
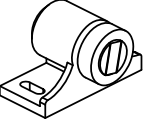
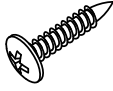
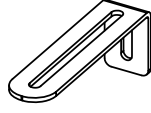

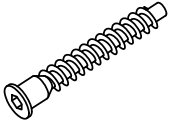


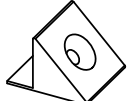
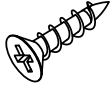

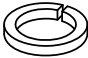

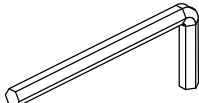

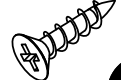
# MARTE




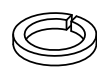

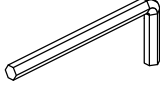
			✓
①	1	949x400.5x18	
②	1	949x400.5x78	
③	1	1664x398.5x18	
④	1	1664x398.5x18	
⑤	1	909x363x18	
⑥	2	907x360x5	

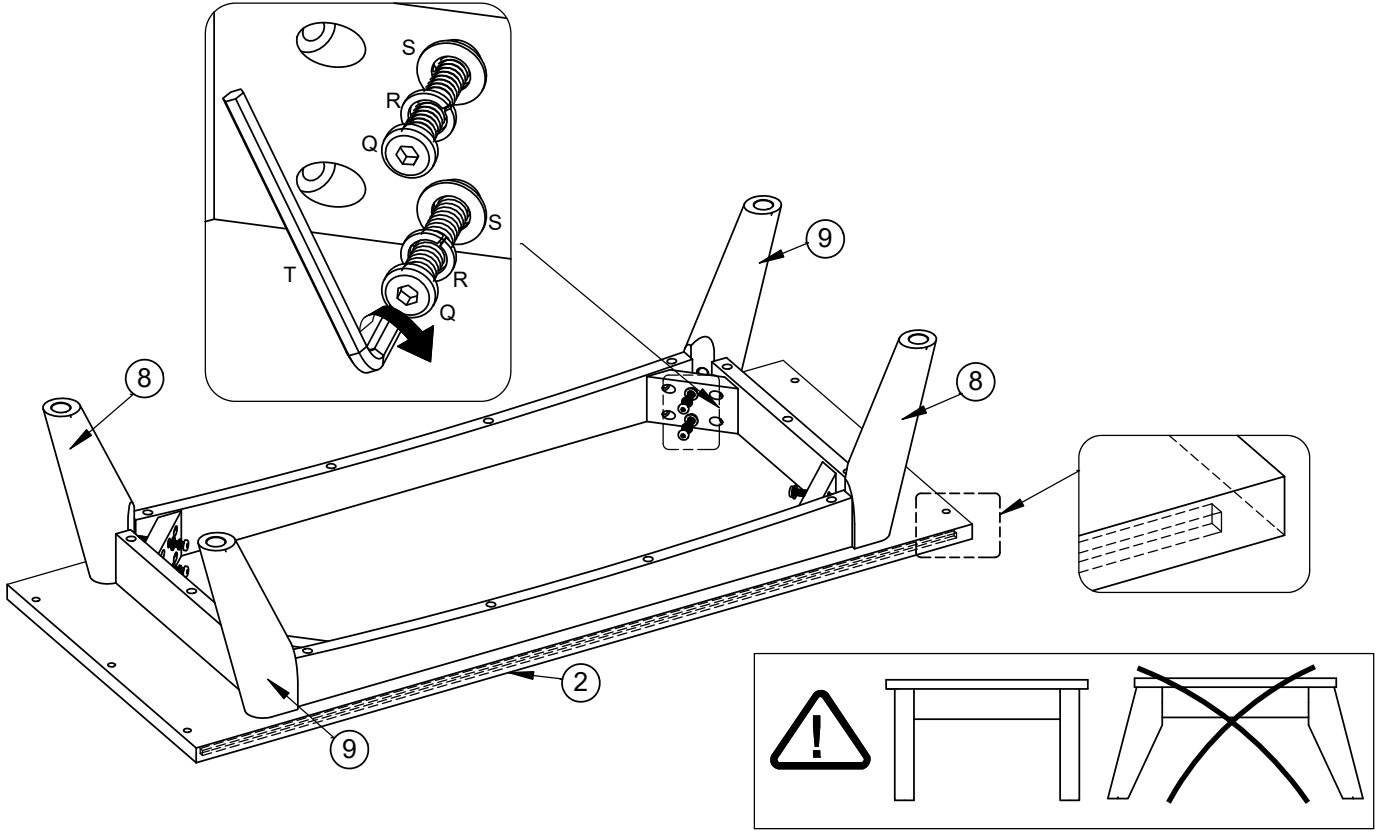
			✓
⑦	1	1676x922x5	
⑧	2	240x70x38	
⑨	2	240x70x38	
⑩	1	1658x450x18	
⑪	1	1658x450x18	



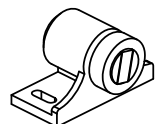
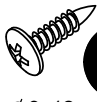
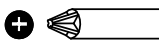
<p>A x 12</p>  <p>∅ 8x30 mm</p>	<p>B x 6</p>  <p>∅ 6x34 mm</p>	<p>C x 6</p>  <p>∅ 15x11 mm</p>	<p>D x 6</p>  <p>75x29x24 mm</p>	<p>E x 4</p>  <p>∅ 20 mm</p>
<p>F x 4</p>  <p>35x15x17 mm</p>	<p>G x 8</p>  <p>∅ 4x15 mm</p>	<p>H x 2</p>  <p>75x25x15 mm</p>	<p>J x 6</p>  <p>∅ 4x12 mm</p>	<p>K x 12</p>  <p>∅ 7x40 mm</p>
<p>L x 1</p>  <p>4 mm</p>	<p>M x 8</p>  <p>21x13x11 mm</p>	<p>N x 18</p>  <p>15x15 mm</p>	<p>P x 18</p>  <p>∅ 3.5x15 mm</p>	<p>Q x 8</p>  <p>M8x60 mm</p>
<p>R x 8</p>  <p>∅ 8 mm</p>	<p>S x 8</p>  <p>∅ 8/∅ 18 mm</p>	<p>T x 1</p>  <p>5 mm</p>	<p>U x 8</p>  <p>∅ 3x12 mm</p>	<p>V x 34</p>  <p>∅ 3.5x15 mm</p>

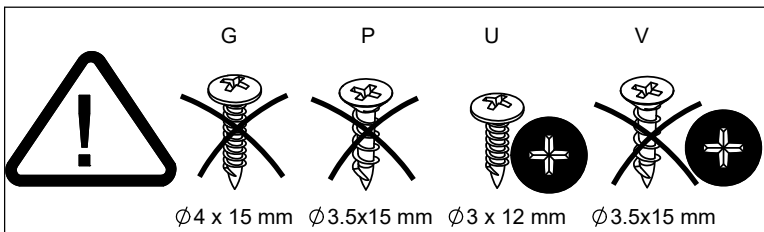
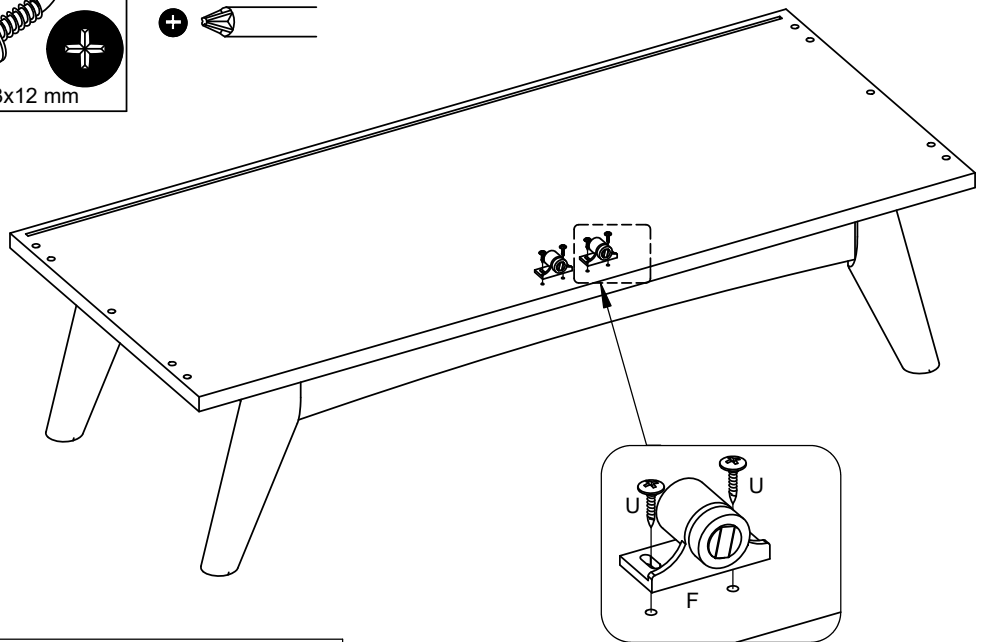
# 1

Q x 8  M8x60 mm	R x 8  Ø 8 mm	S x 8  Ø 8 / Ø 18 mm	T x 1  5 mm
--	--	---	--

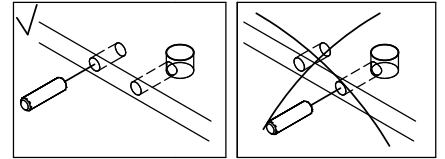
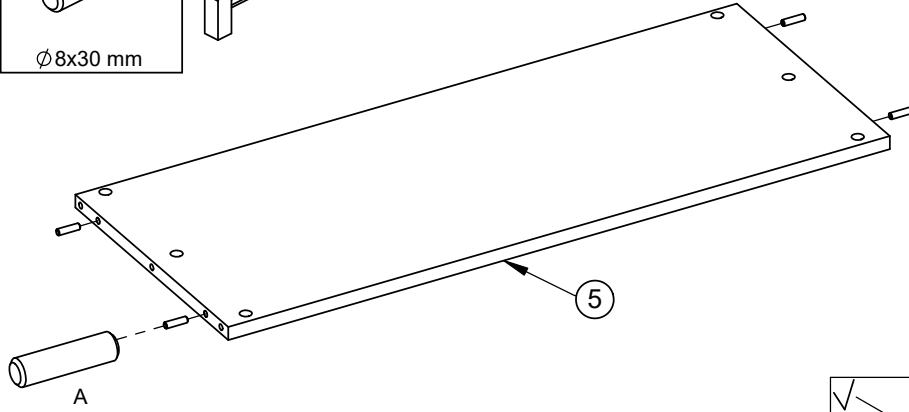
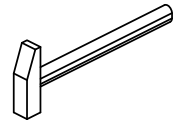
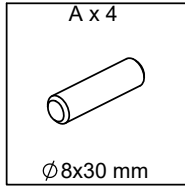


# 2

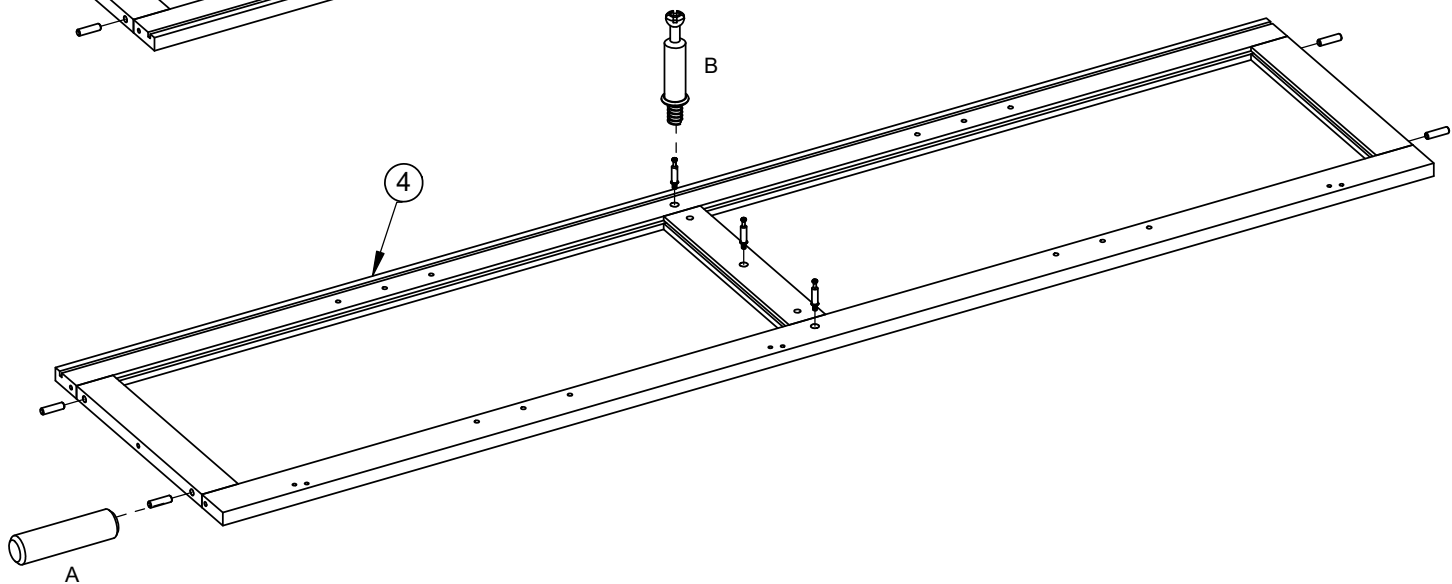
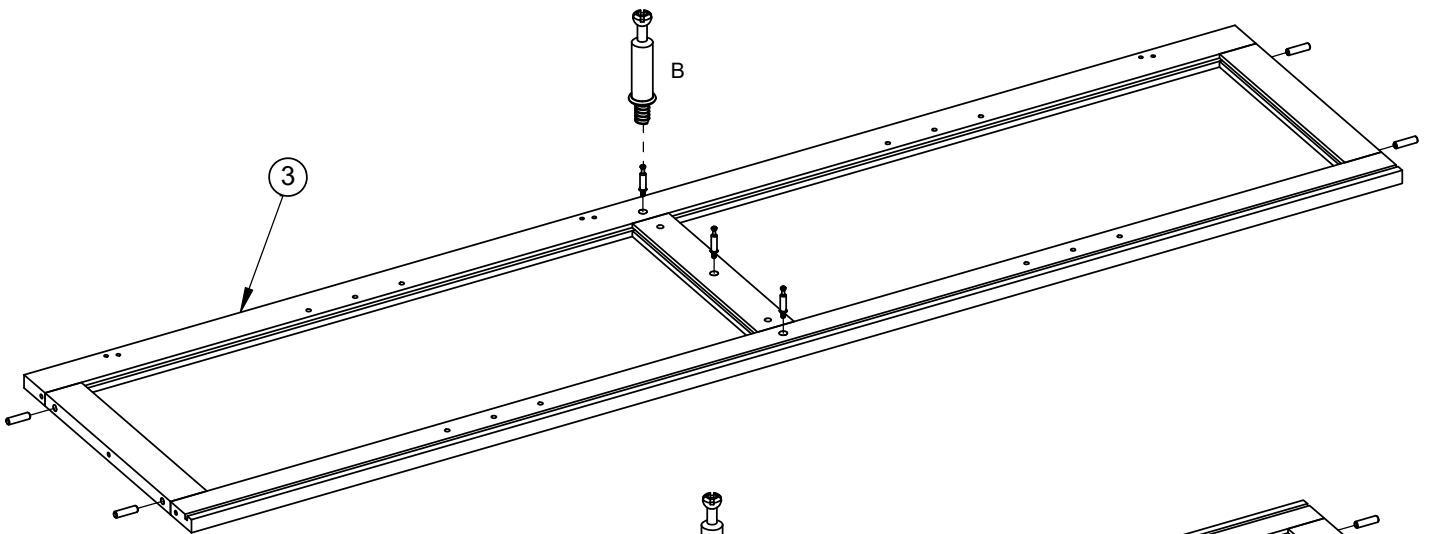
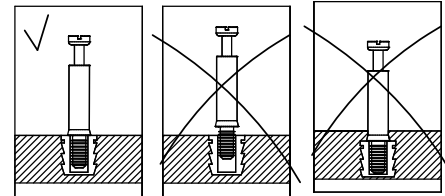
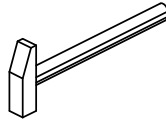
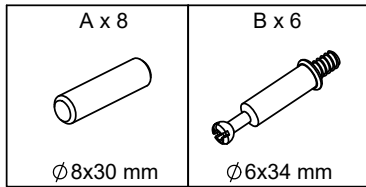
F x 2 	U x 4  Ø 3x12 mm	
--	---	---



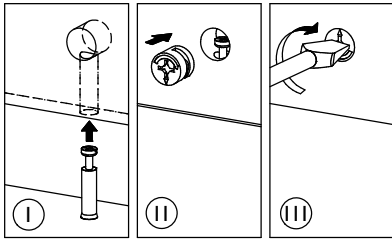
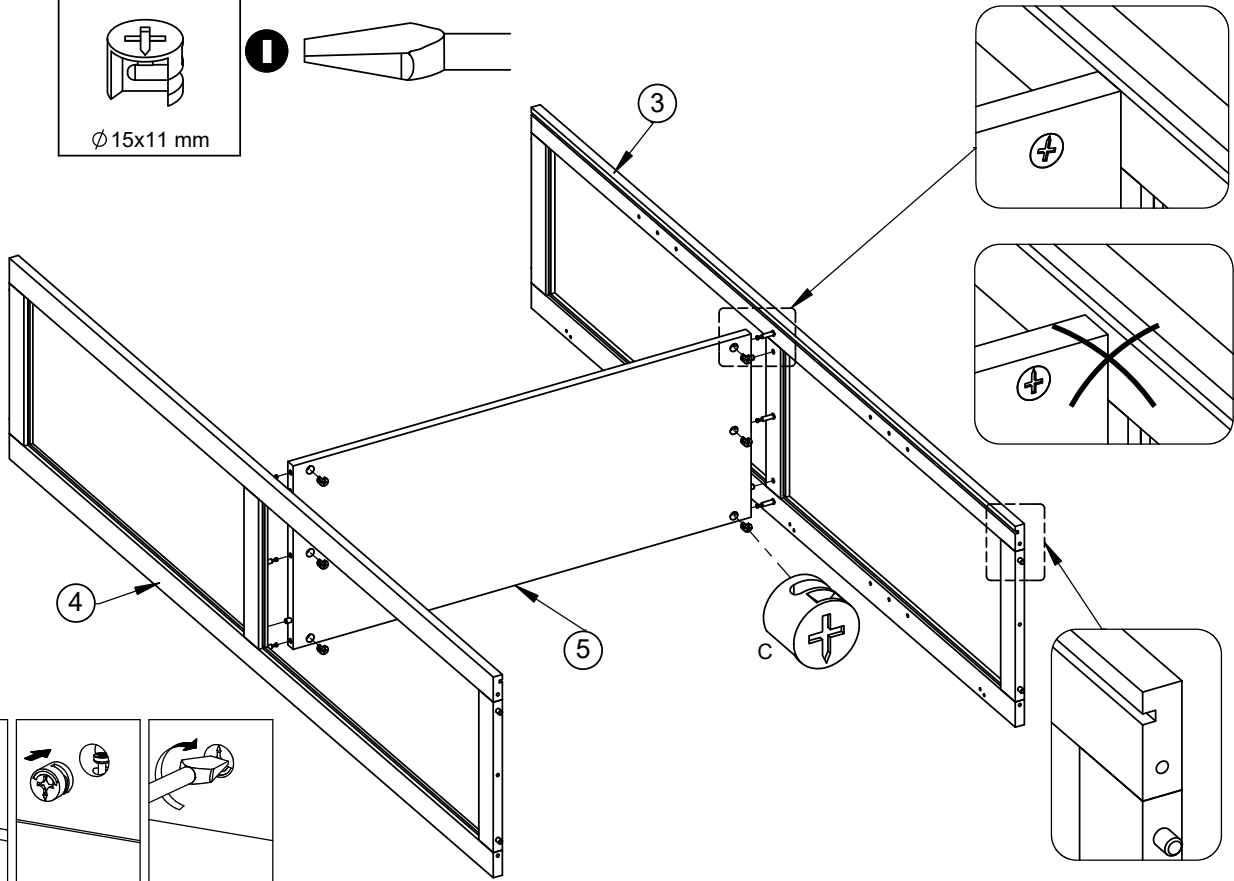
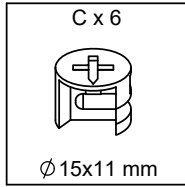
# 3



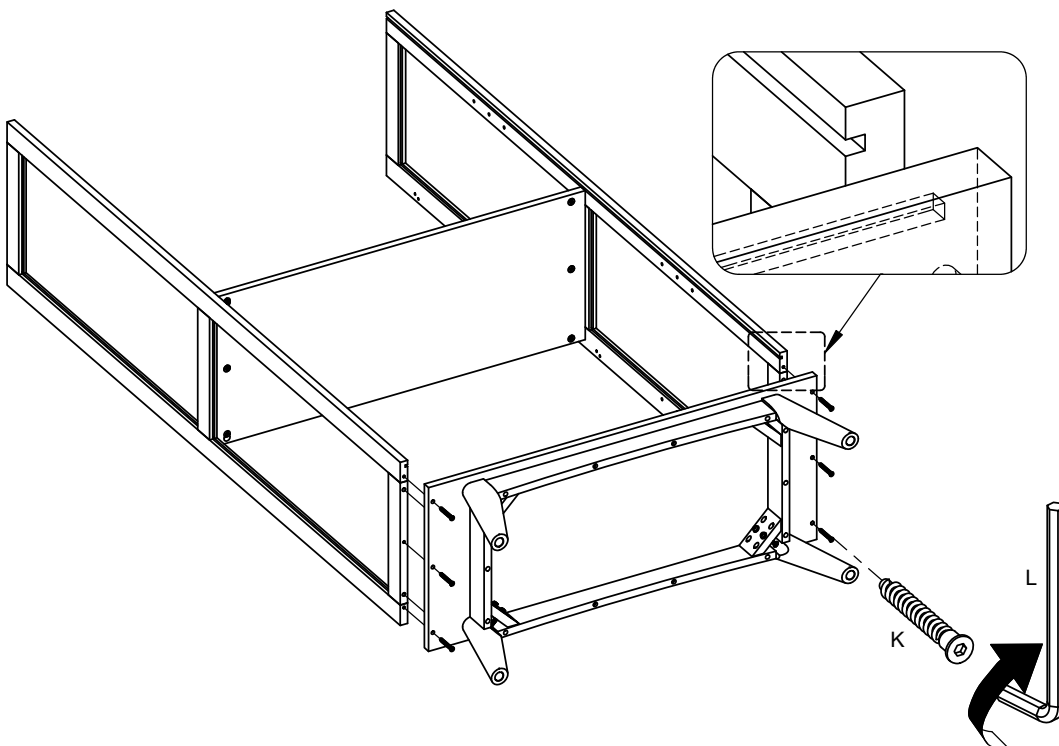
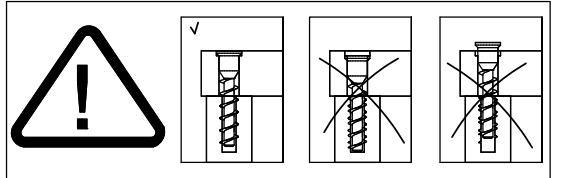
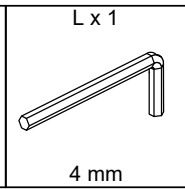
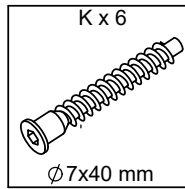
# 4



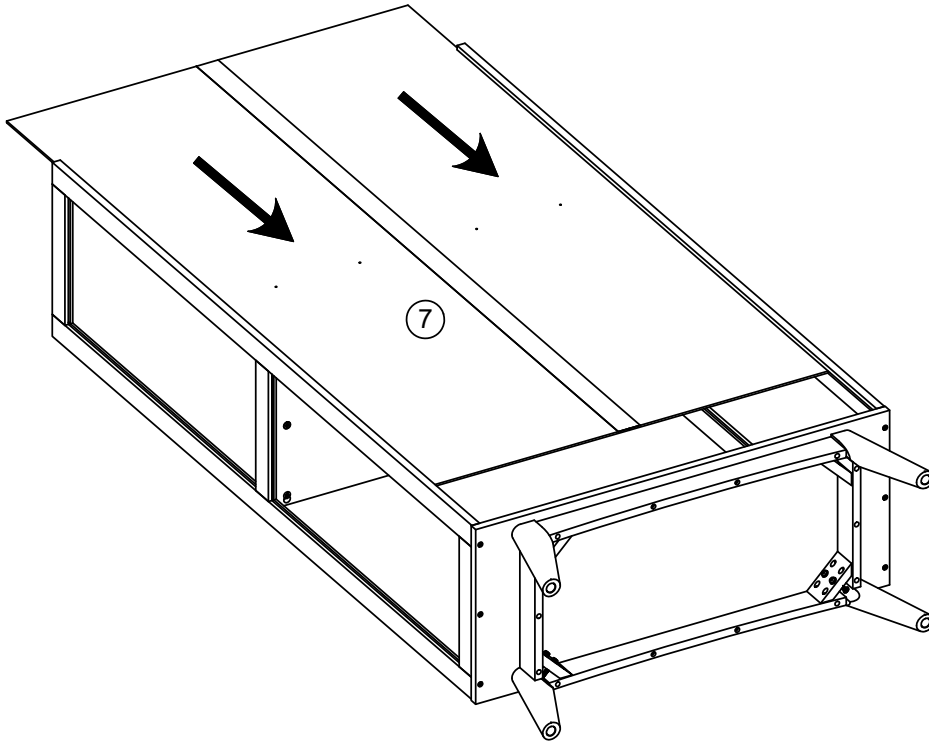
# 5



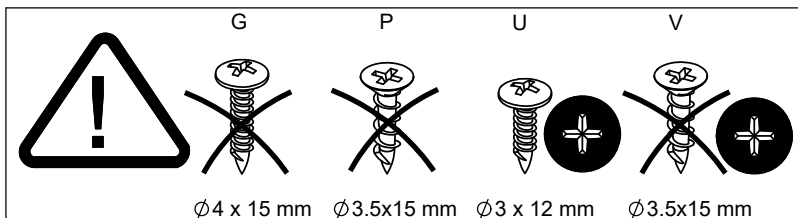
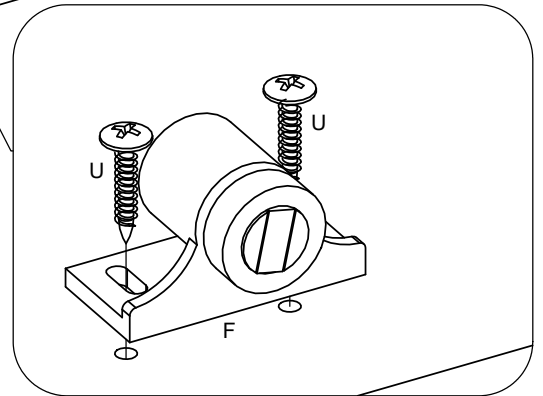
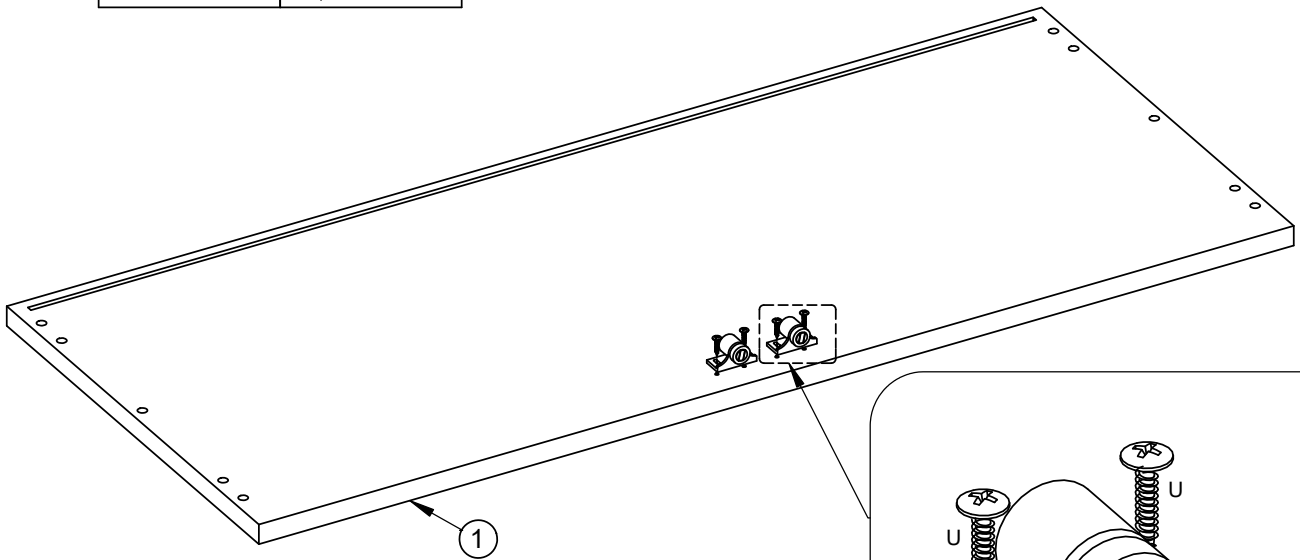
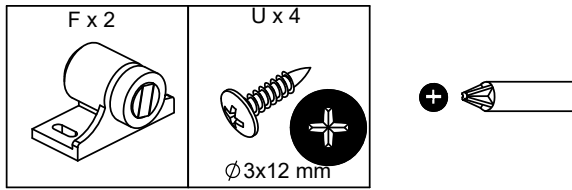
# 6



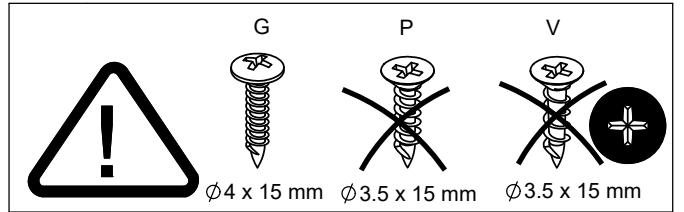
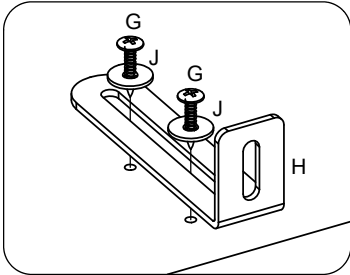
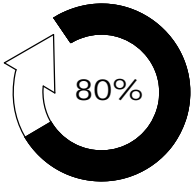
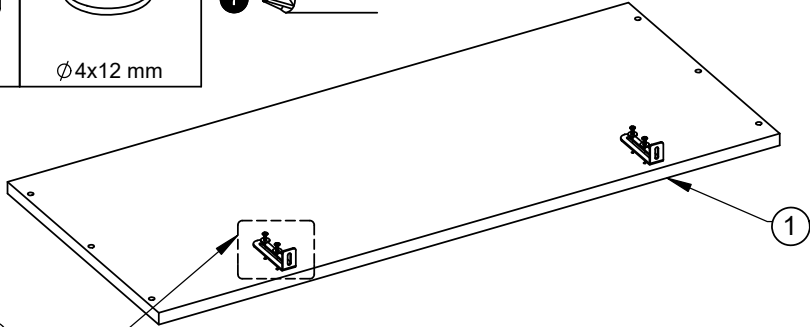
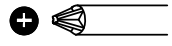
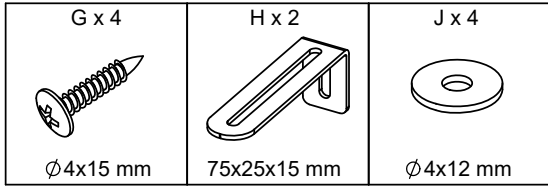
# 7



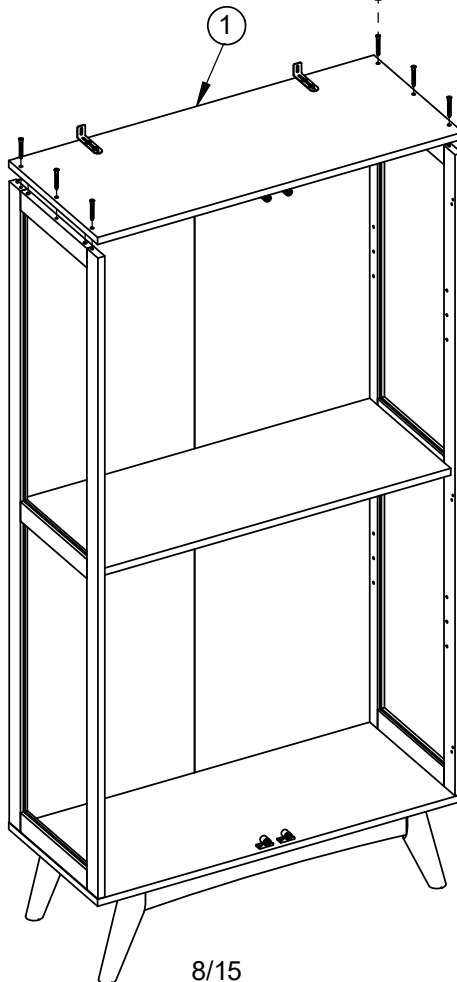
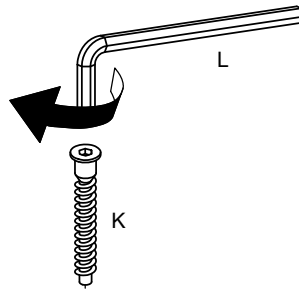
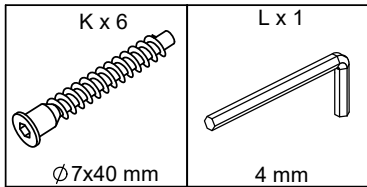
# 8



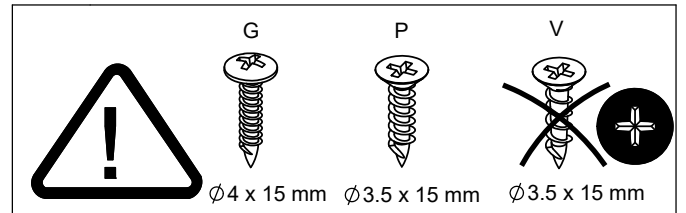
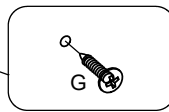
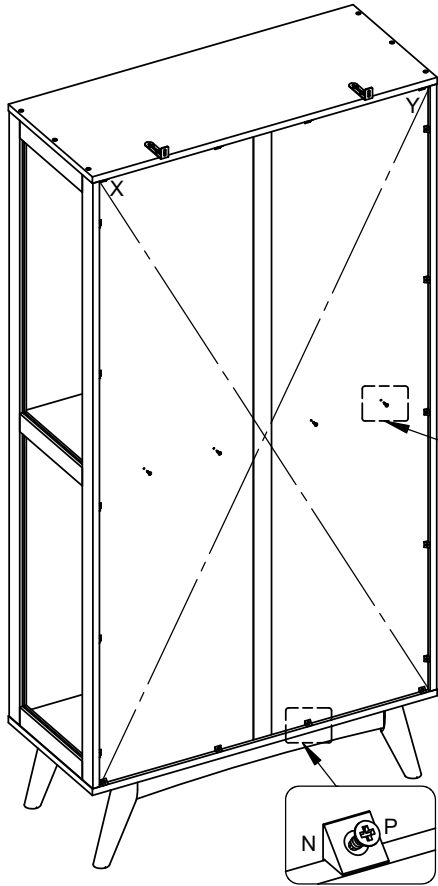
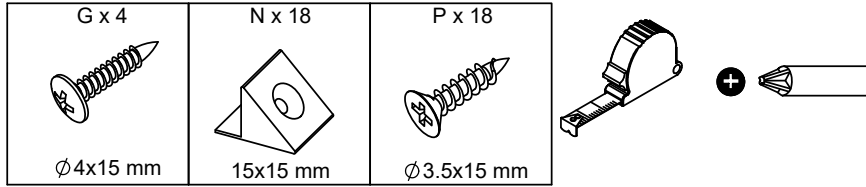
# 9



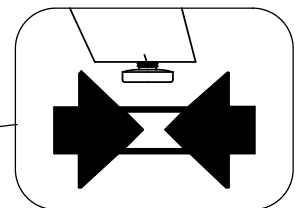
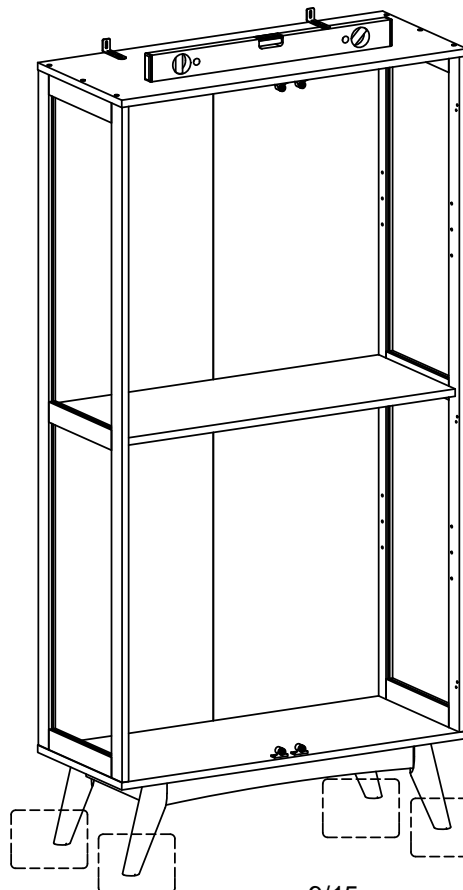
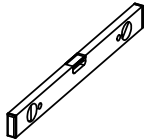
# 10



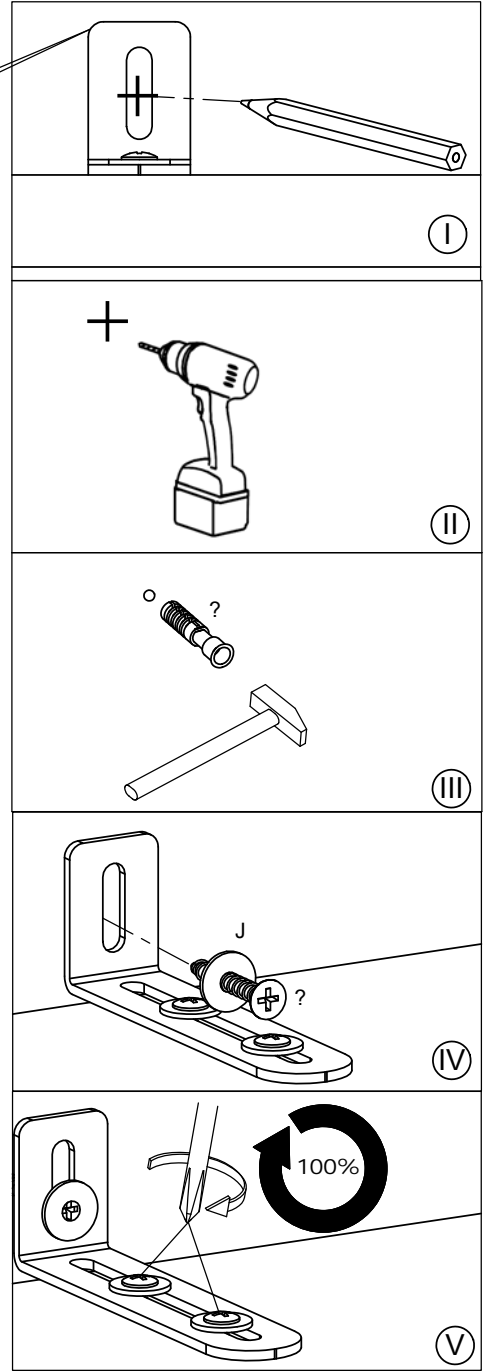
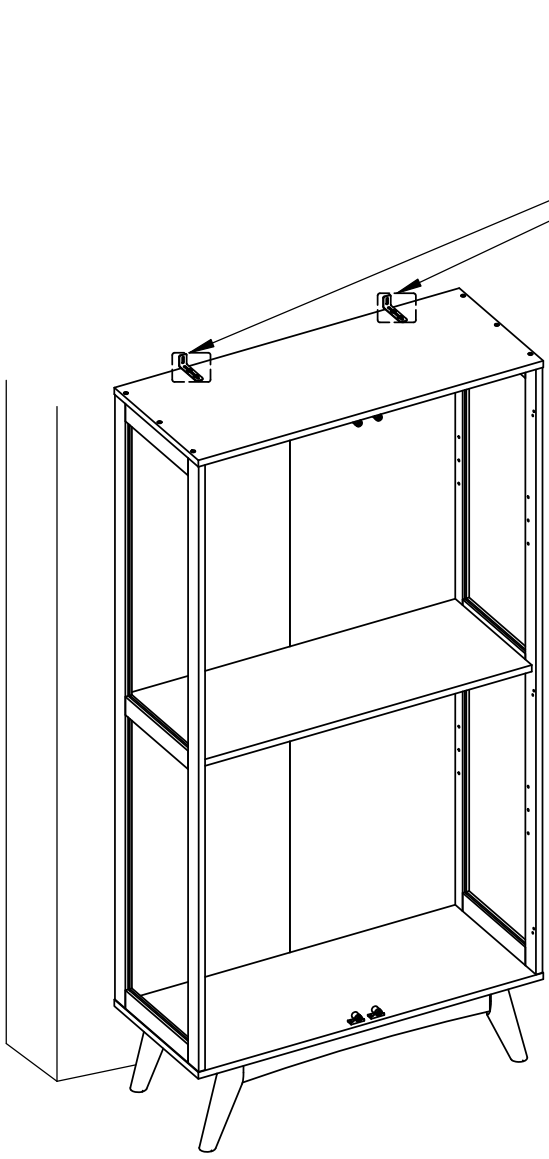
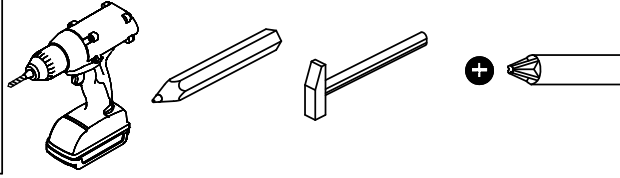
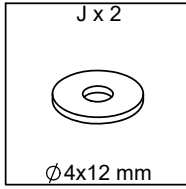
# 11



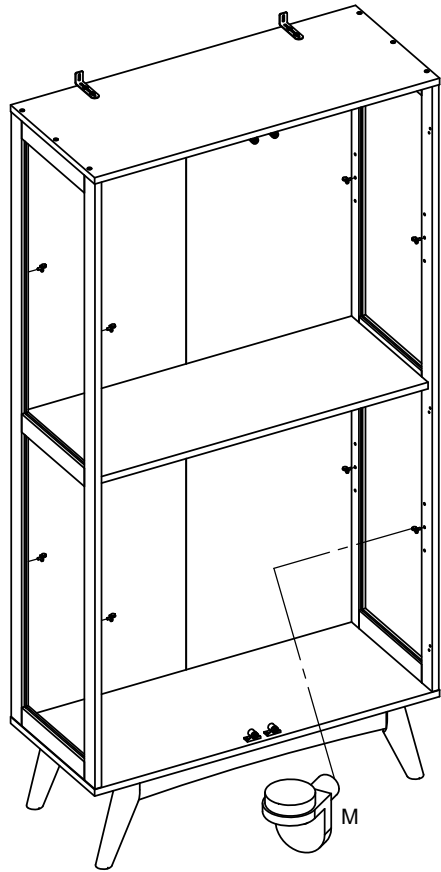
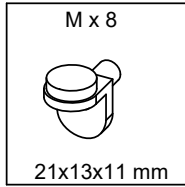
# 12



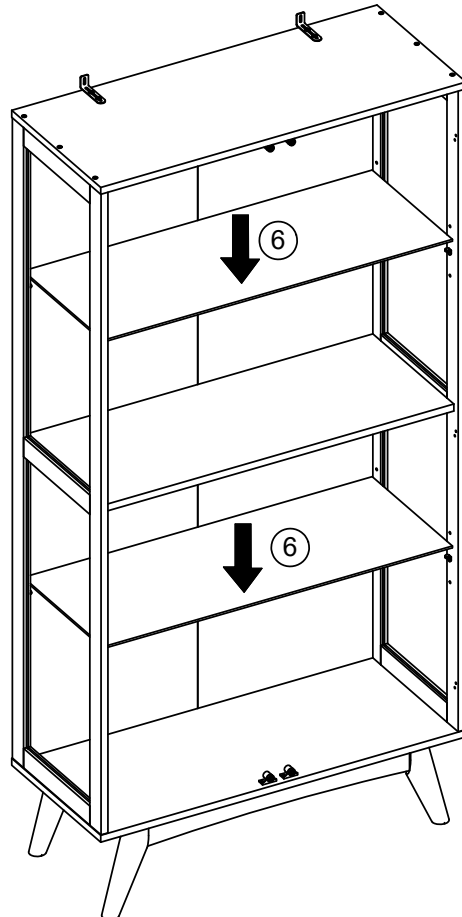
# 13



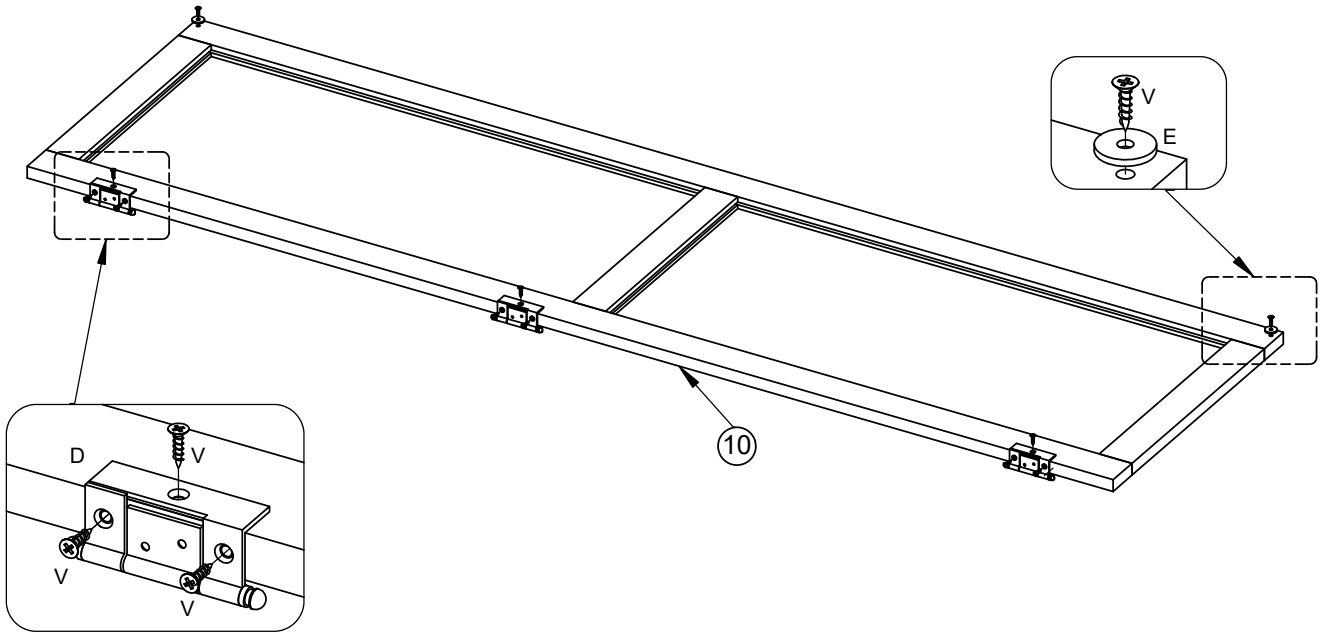
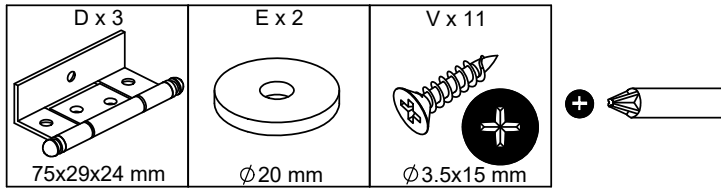
# 14



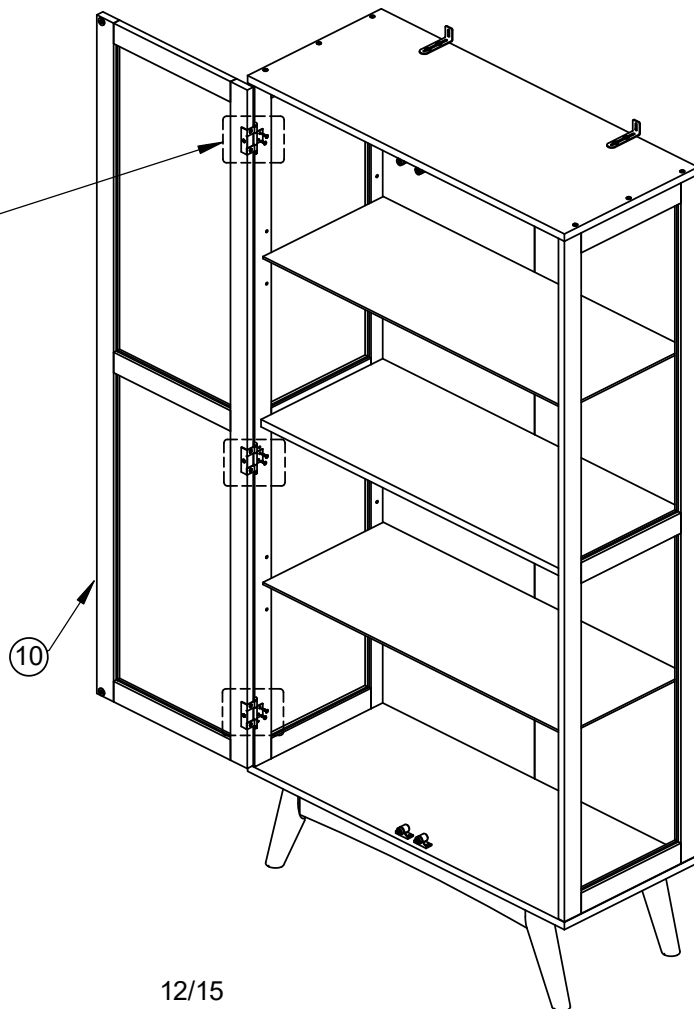
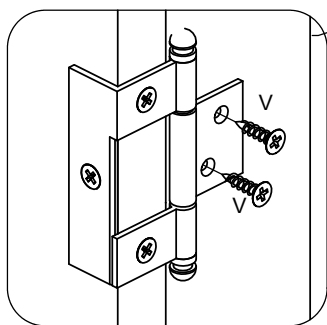
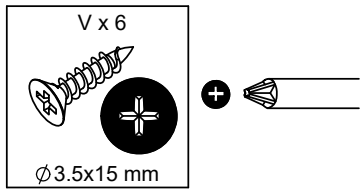
# 15



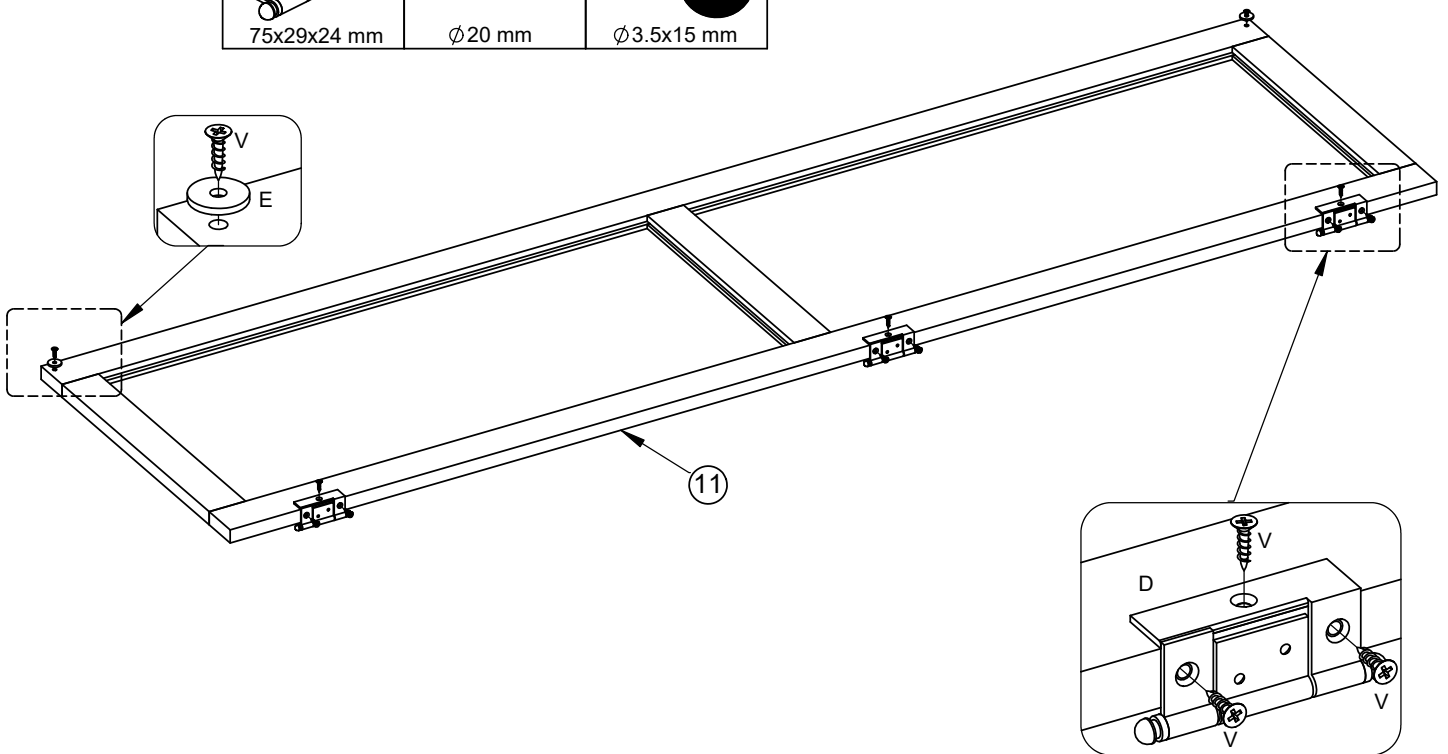
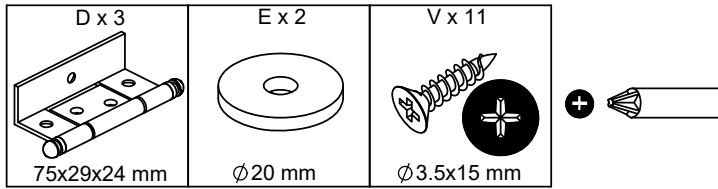
# 16



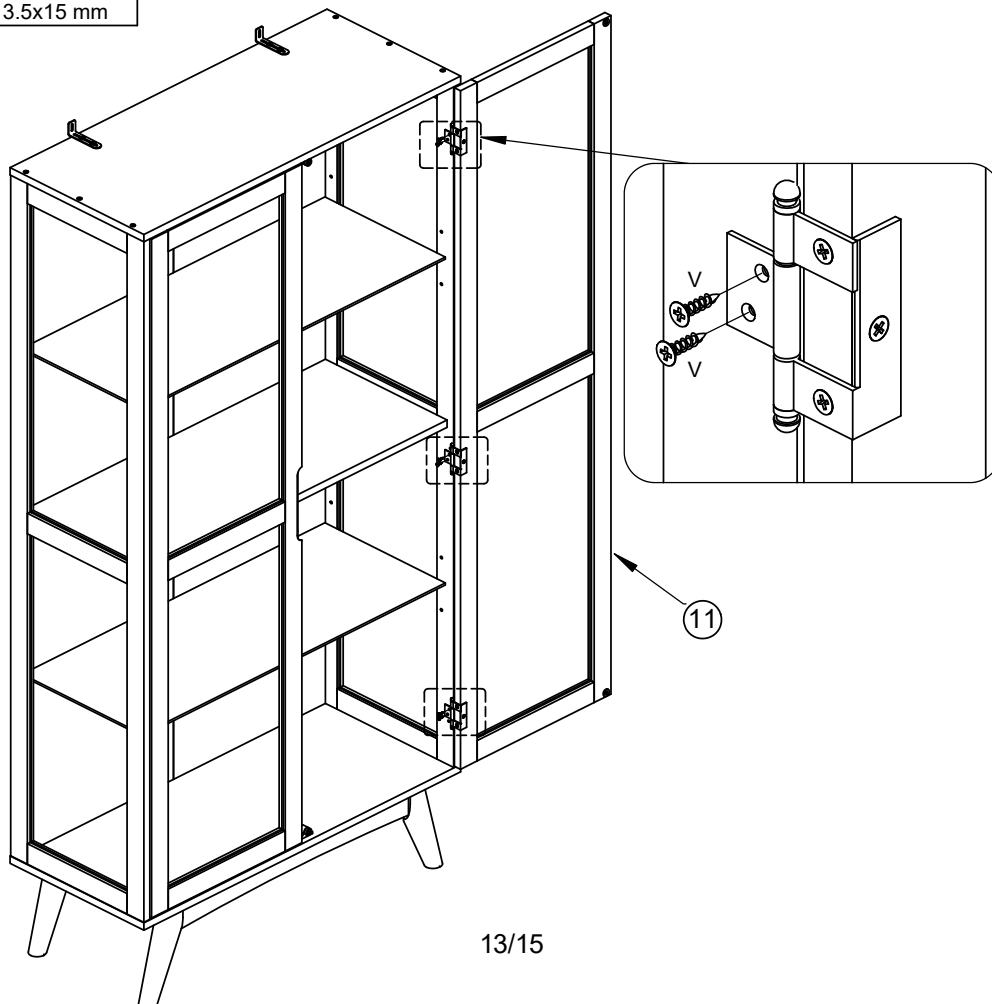
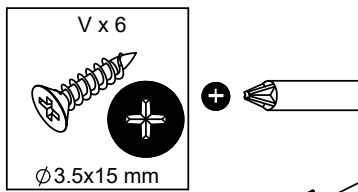
# 17



# 18



# 19



# 20

