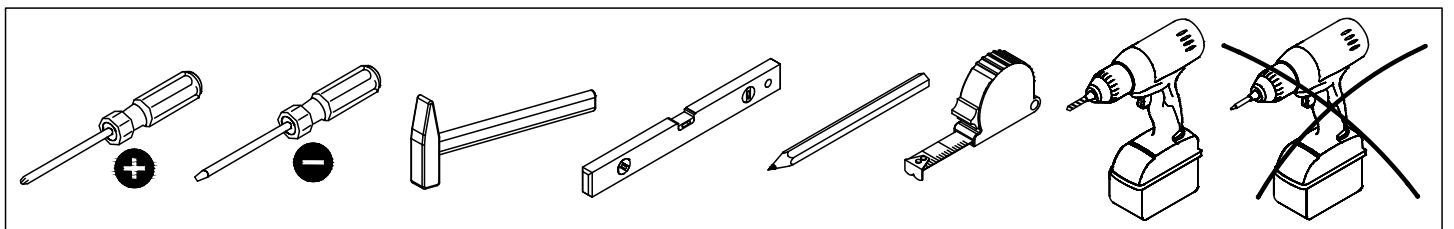
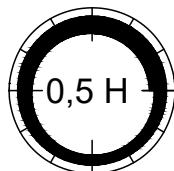
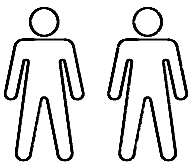
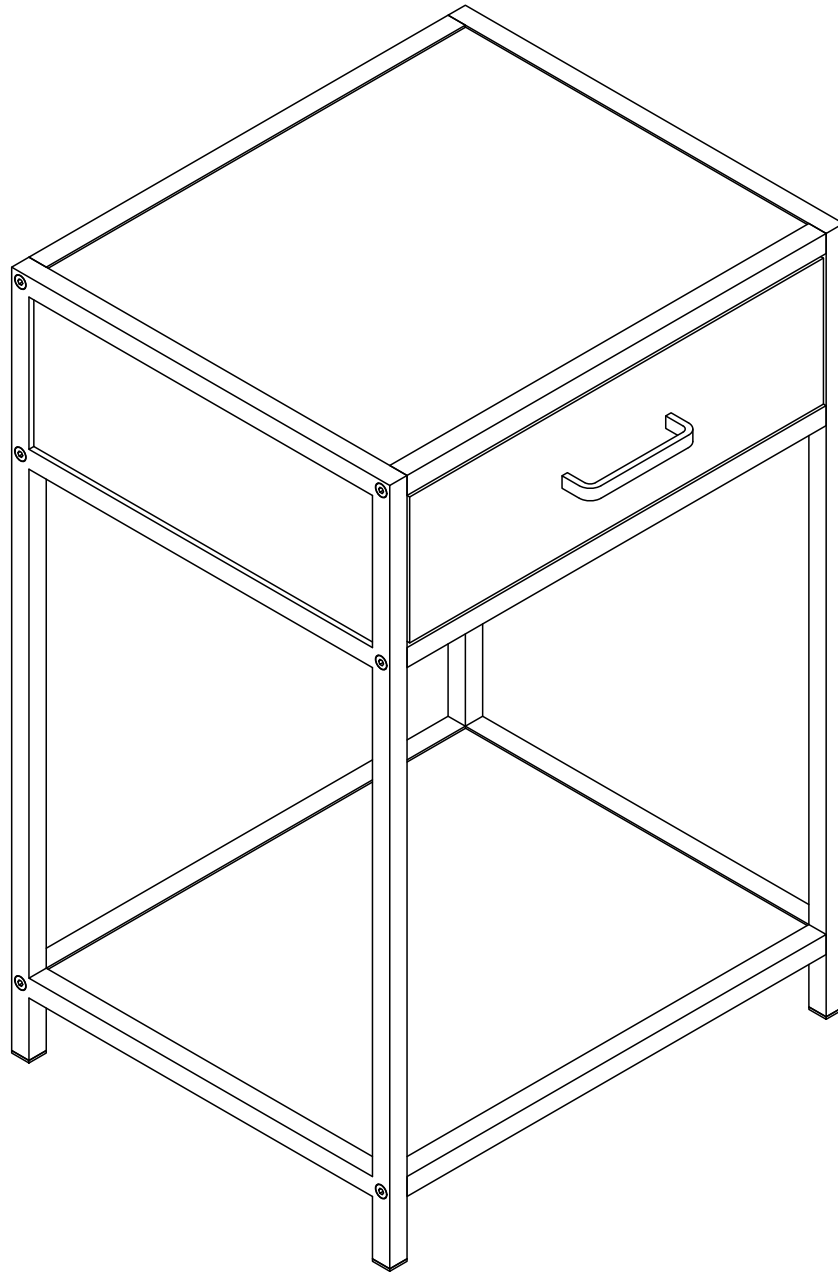
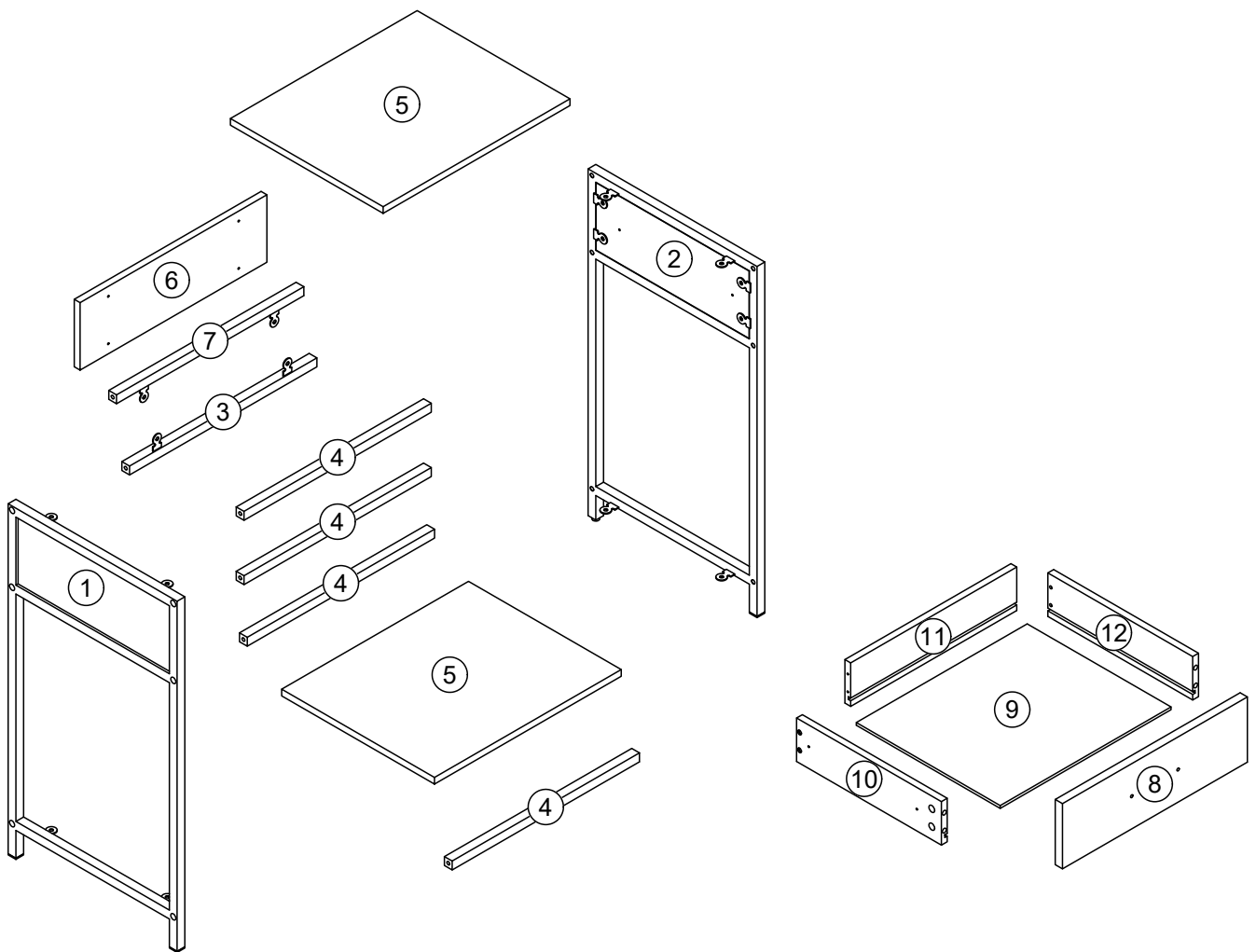


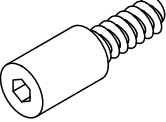
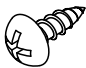
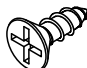
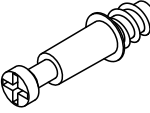
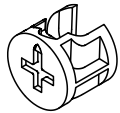
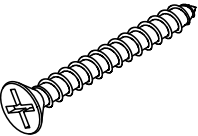
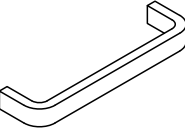

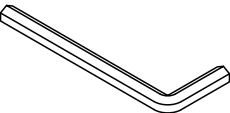
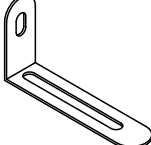
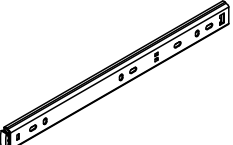
SEAFORD



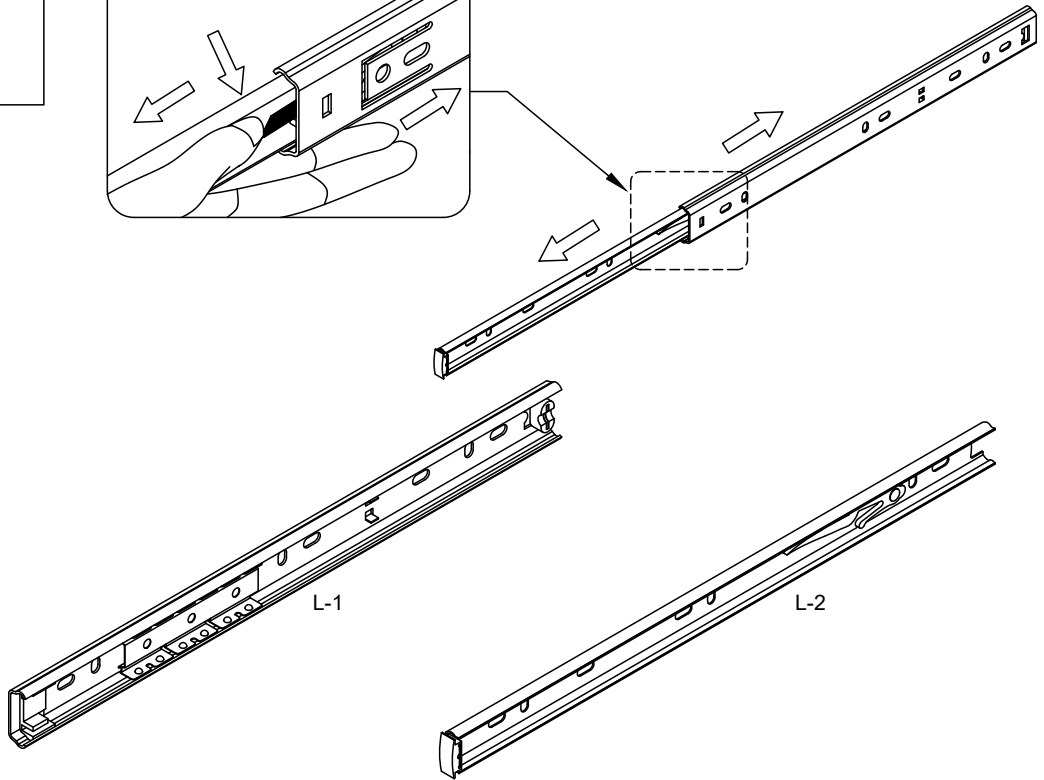
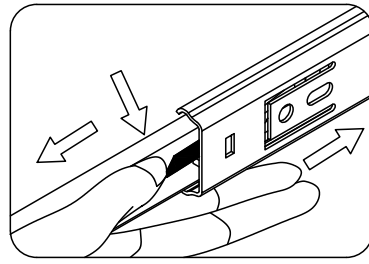
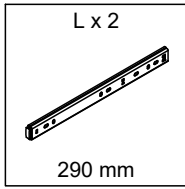
| | | | |
|---|---|--------------|---|
| | | | ✓ |
| ① | 1 | 630x350x43 | |
| ② | 1 | 630x350x43 | |
| ③ | 1 | 388x16x43 | |
| ④ | 4 | 388x16x16 | |
| ⑤ | 2 | 387x316.5x12 | |
| ⑥ | 1 | 387x121x12 | |

| | | | |
|---|---|------------|---|
| | | | ✓ |
| ⑦ | 1 | 388x16x43 | |
| ⑧ | 1 | 383x117x15 | |
| ⑨ | 1 | 352x296x4 | |
| ⑩ | 1 | 300x78x12 | |
| ⑪ | 1 | 344x78x12 | |
| ⑫ | 1 | 300x78x12 | |

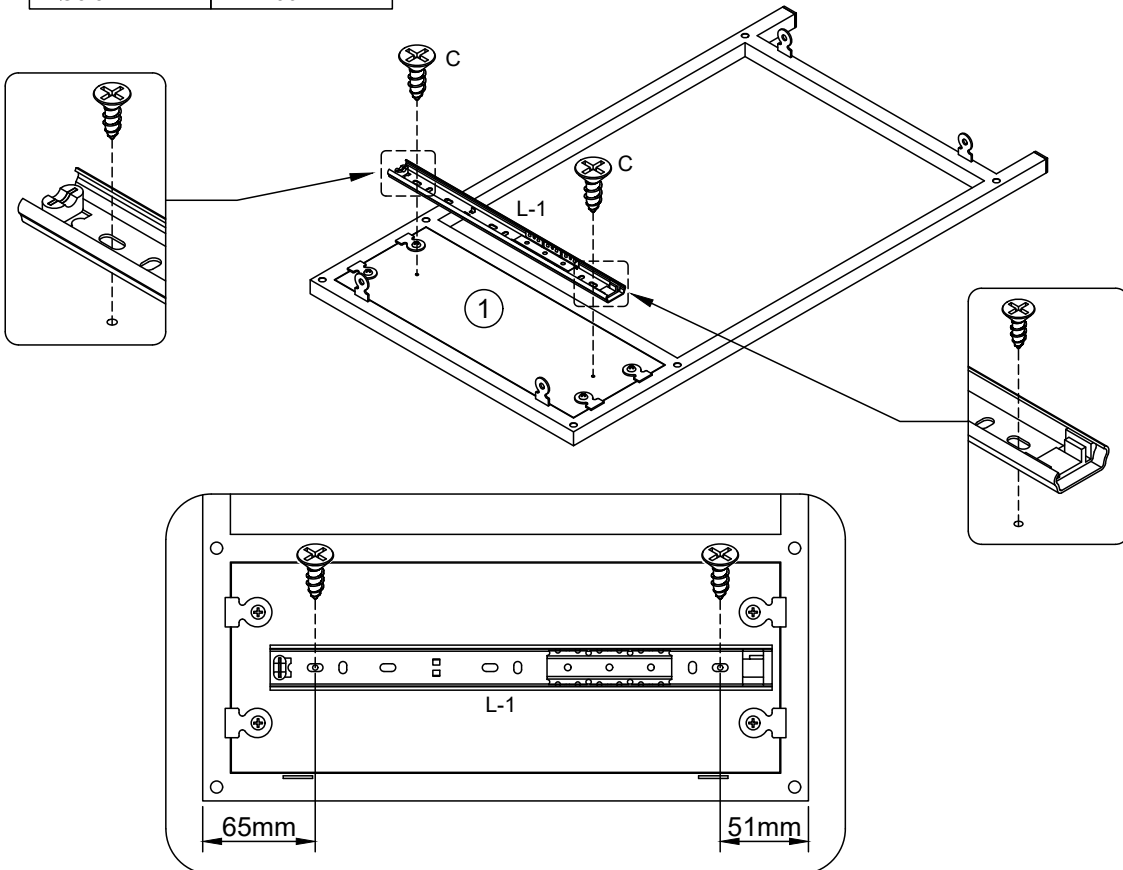
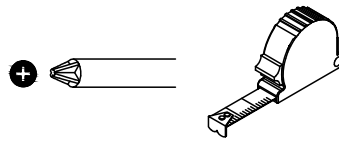
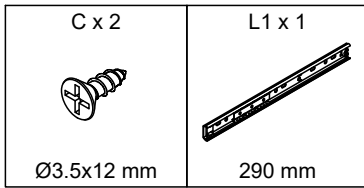


| | | | | |
|---|--|--|--|---|
| <p>A x 12</p>  <p>M6x15 mm</p> | <p>B x 13</p>  <p>Ø4x12 mm</p> | <p>C x 8</p>  <p>Ø3.5x12 mm</p> | <p>D x 4</p>  <p>Ø6x27 mm</p> | <p>E x 4</p>  <p>Ø12 mm</p> |
| <p>F x 4</p>  <p>Ø4x35 mm</p> | <p>G x 1</p>  <p>101x25x10 mm</p> | <p>H x 2</p>  <p>M4x18 mm</p> | <p>J x 1</p>  <p>4 mm</p> | <p>K x 1</p>  <p>75x25x15 mm</p> |
| <p>L x 2</p>  <p>290 mm</p> | | | | |



1

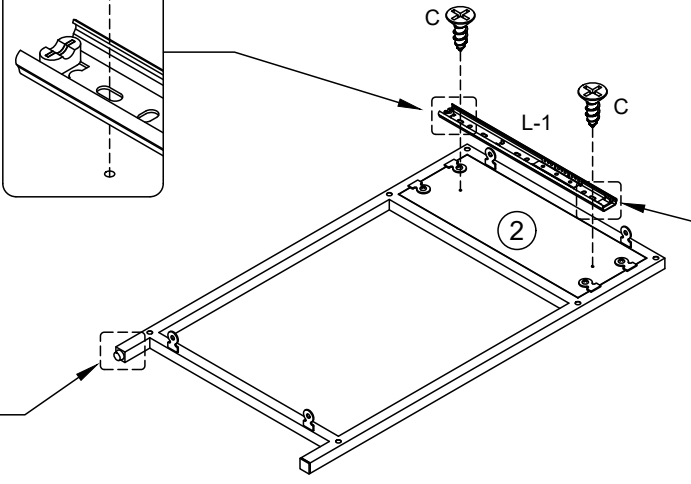
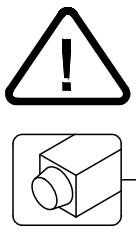
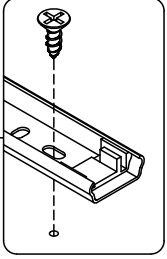
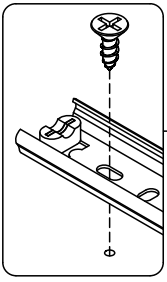
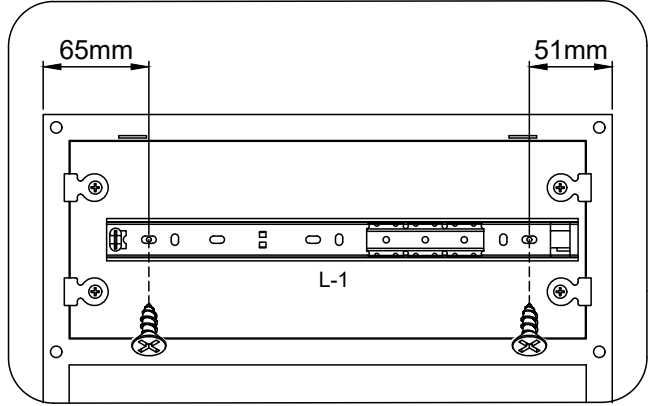
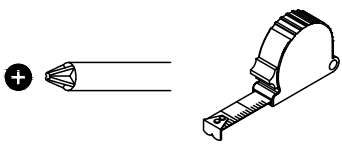


2

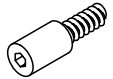



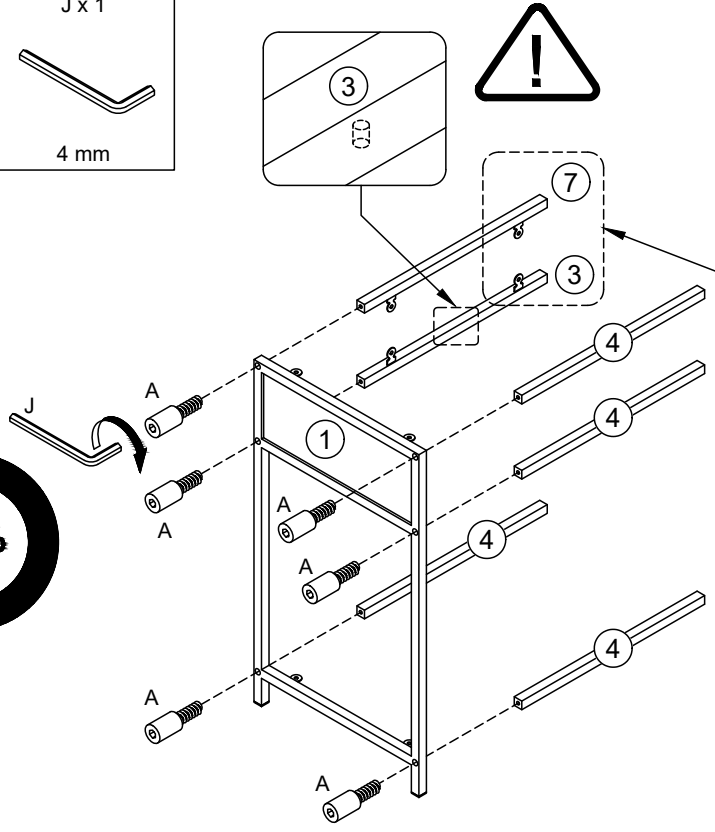
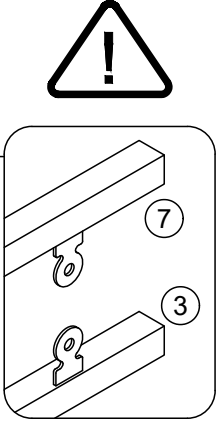
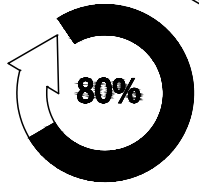
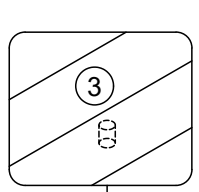
3

| | |
|--|---|
| C x 2  Ø3.5x12 mm | L1 x 1  290 mm |
|--|---|

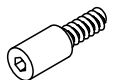



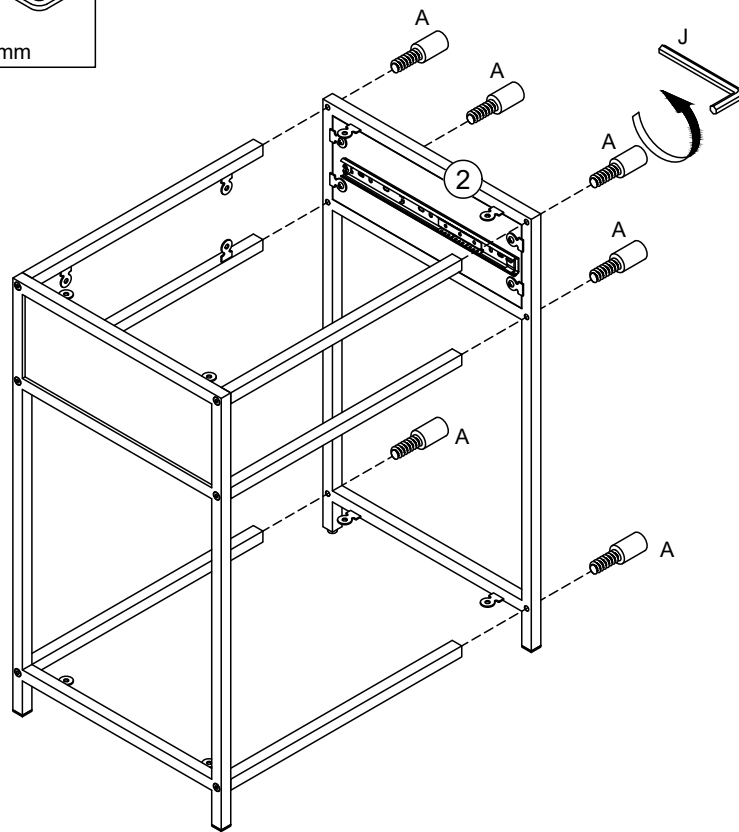
4

| | |
|--|--|
| A x 6  M6x15 mm | J x 1  4 mm |
|--|--|

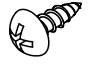


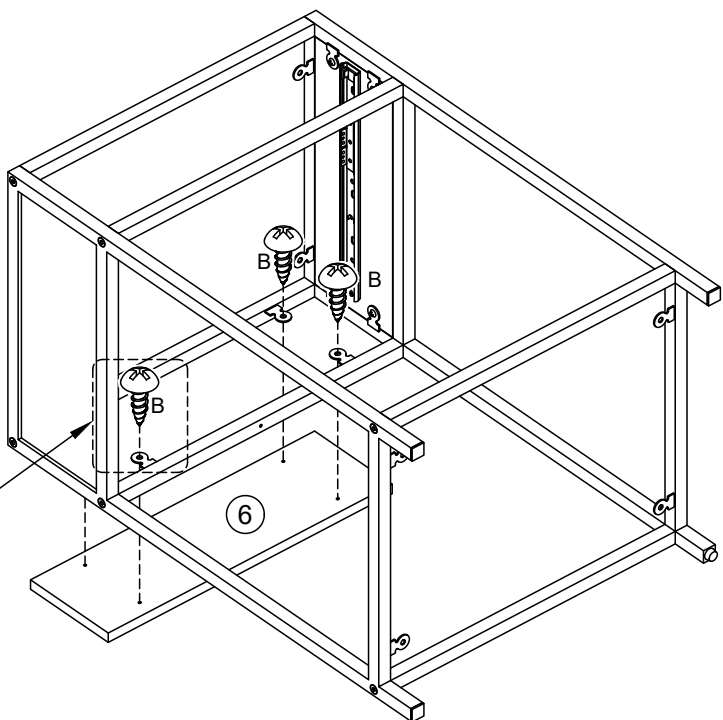
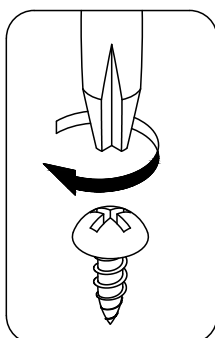
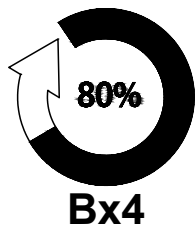
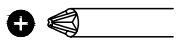
5

| | |
|---|---|
| A x 6 | J x 1 |
|  |  |
| M6x15 mm | 4 mm |

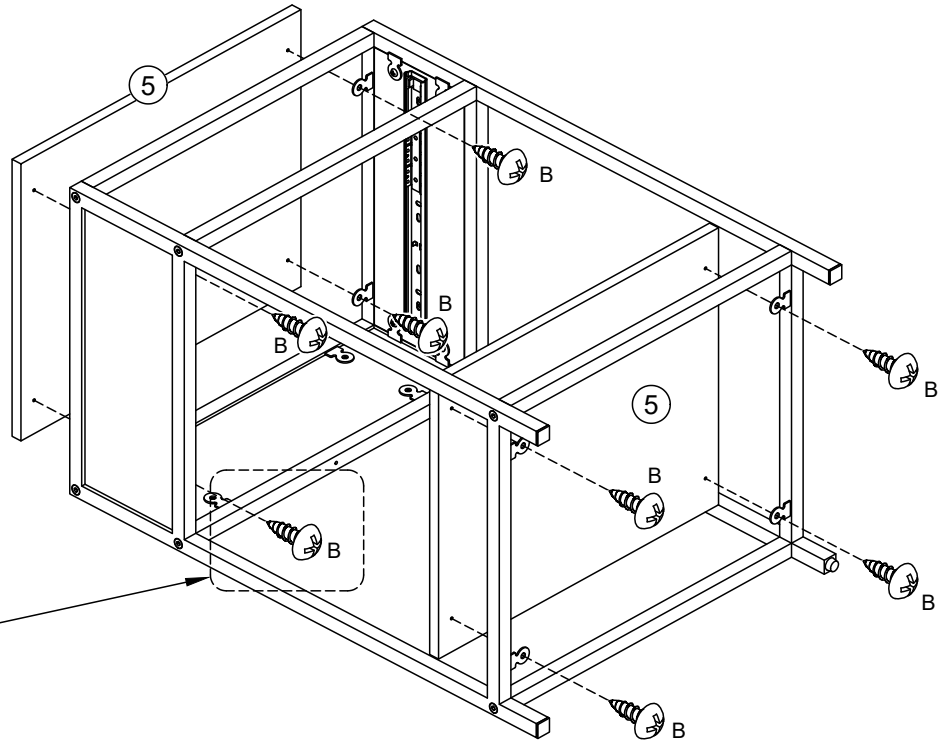
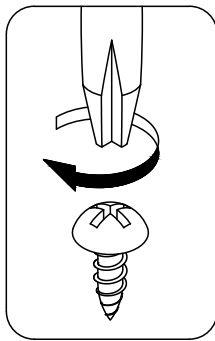
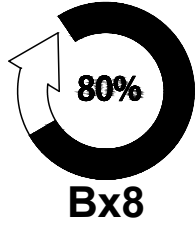
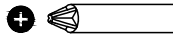
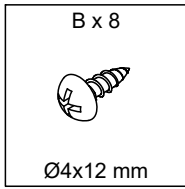


6

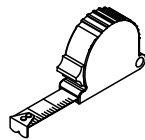
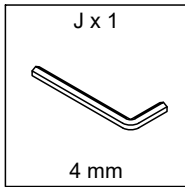
| |
|---|
| B x 4 |
|  |
| Ø4x12 mm |



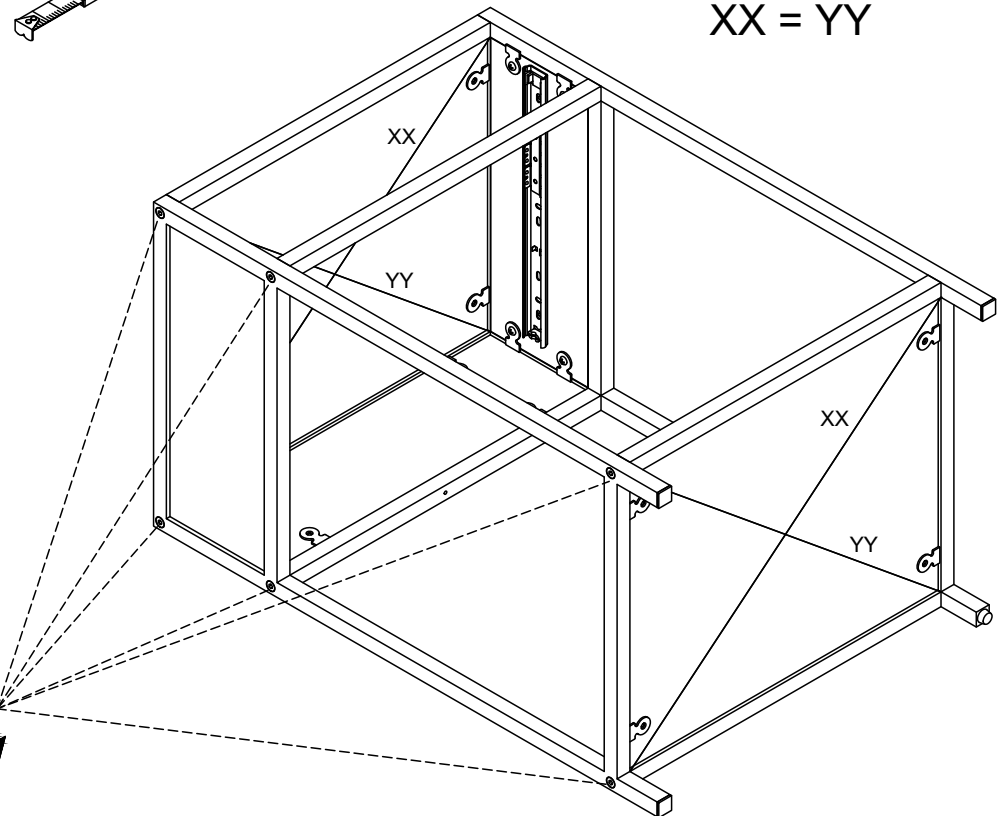
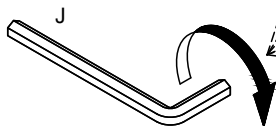
7



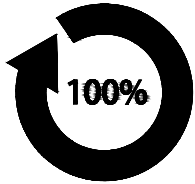
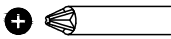
8



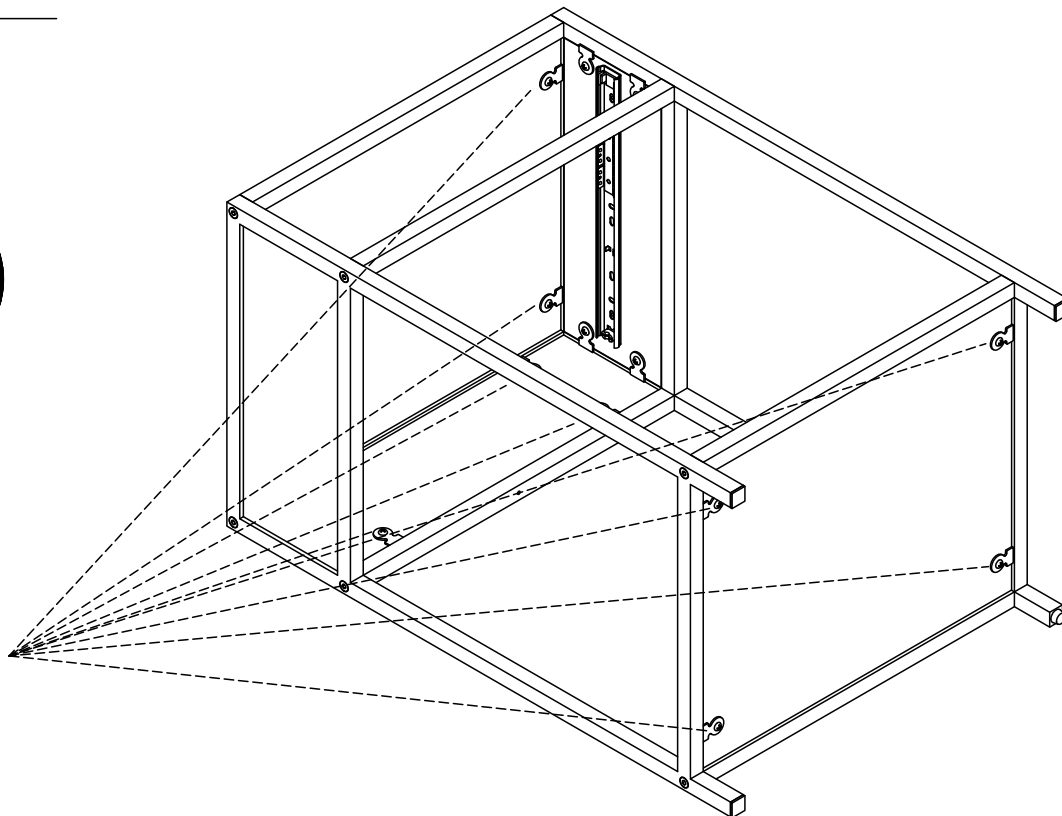
XX = YY



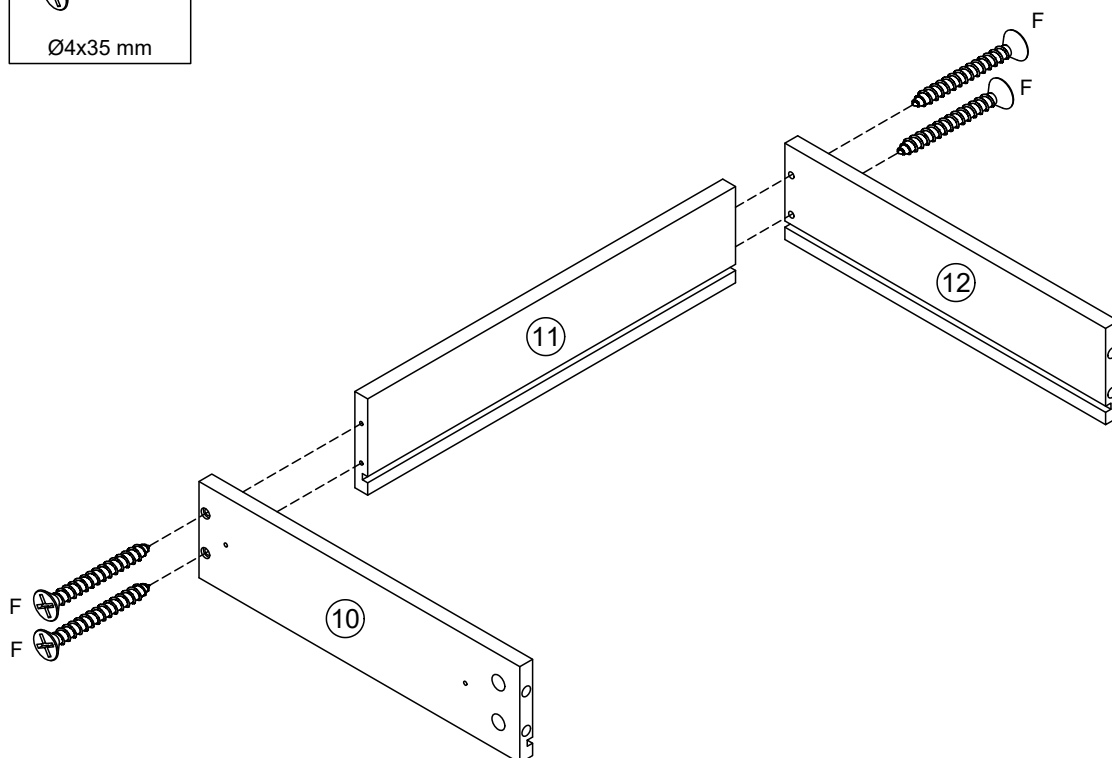
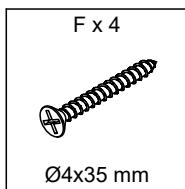
9



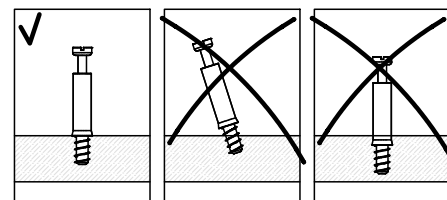
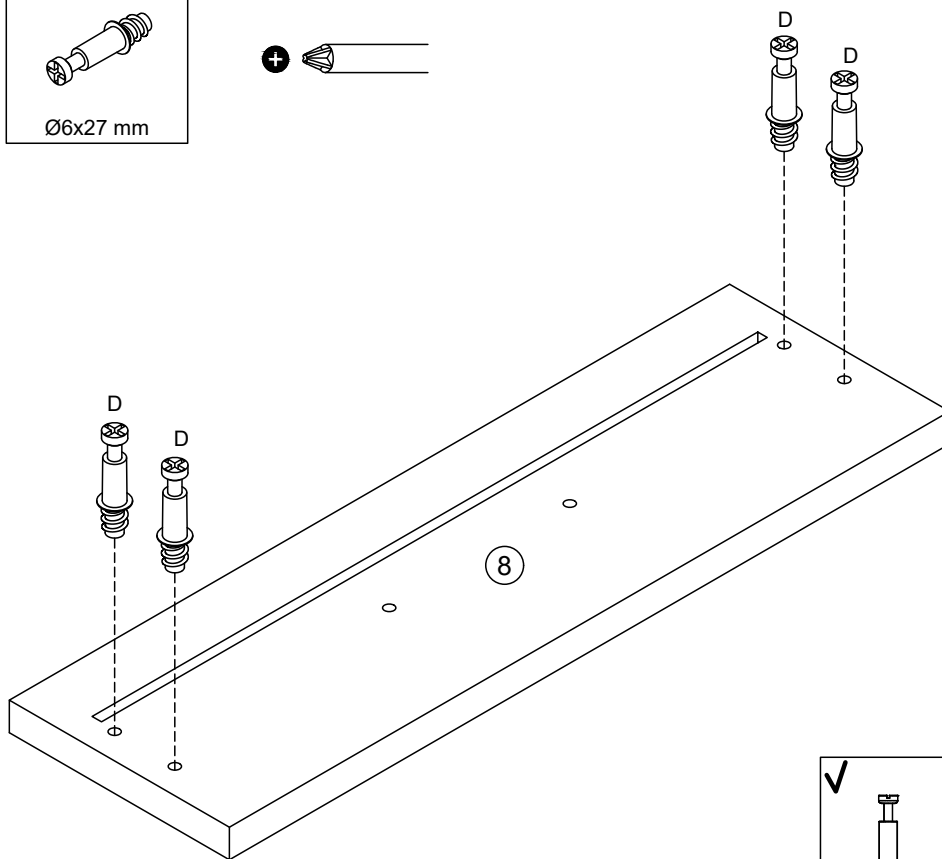
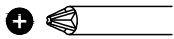
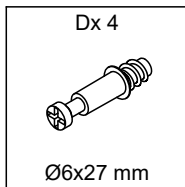
Bx12



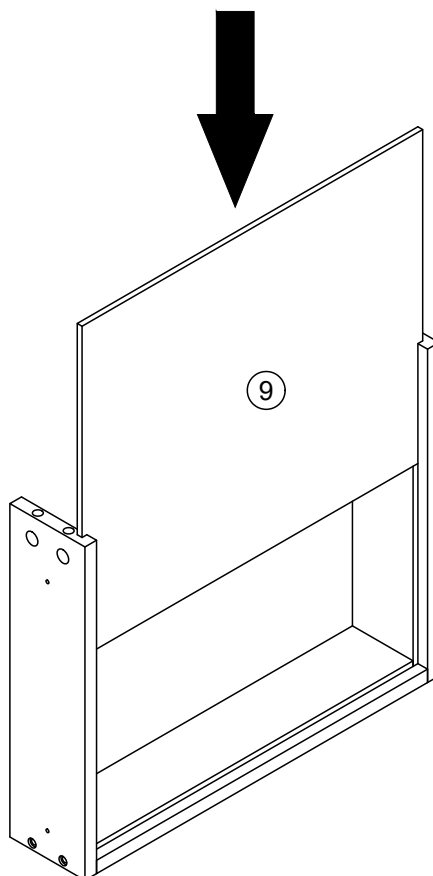
10



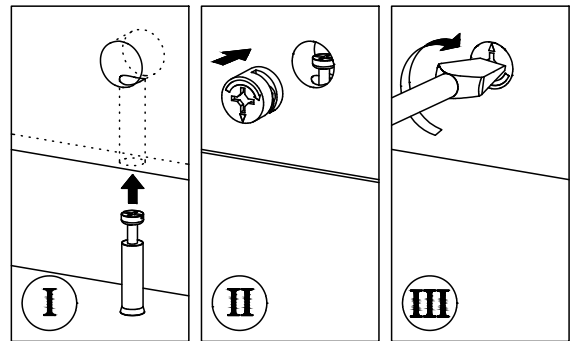
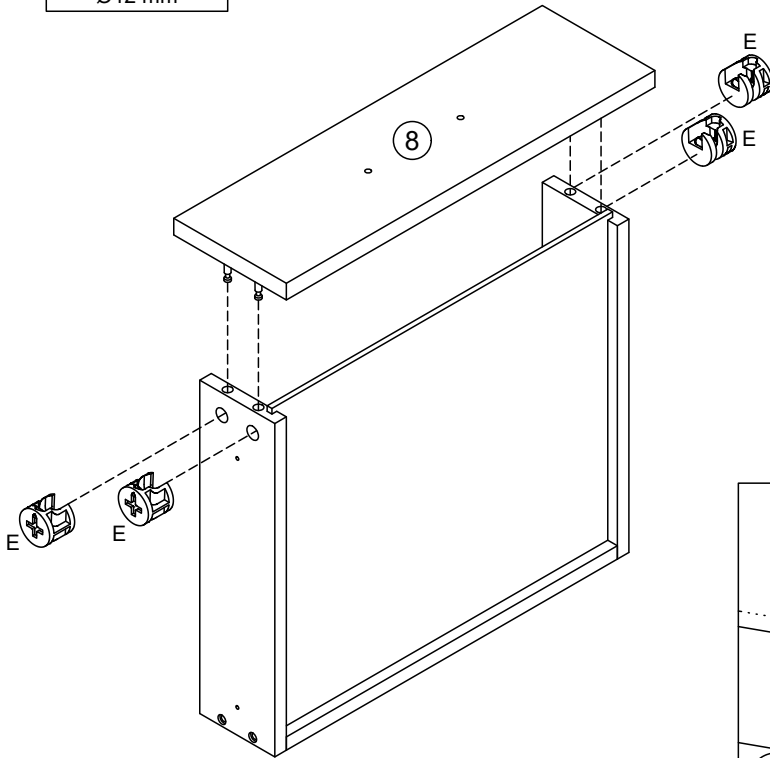
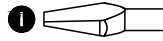
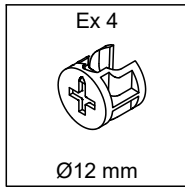
11



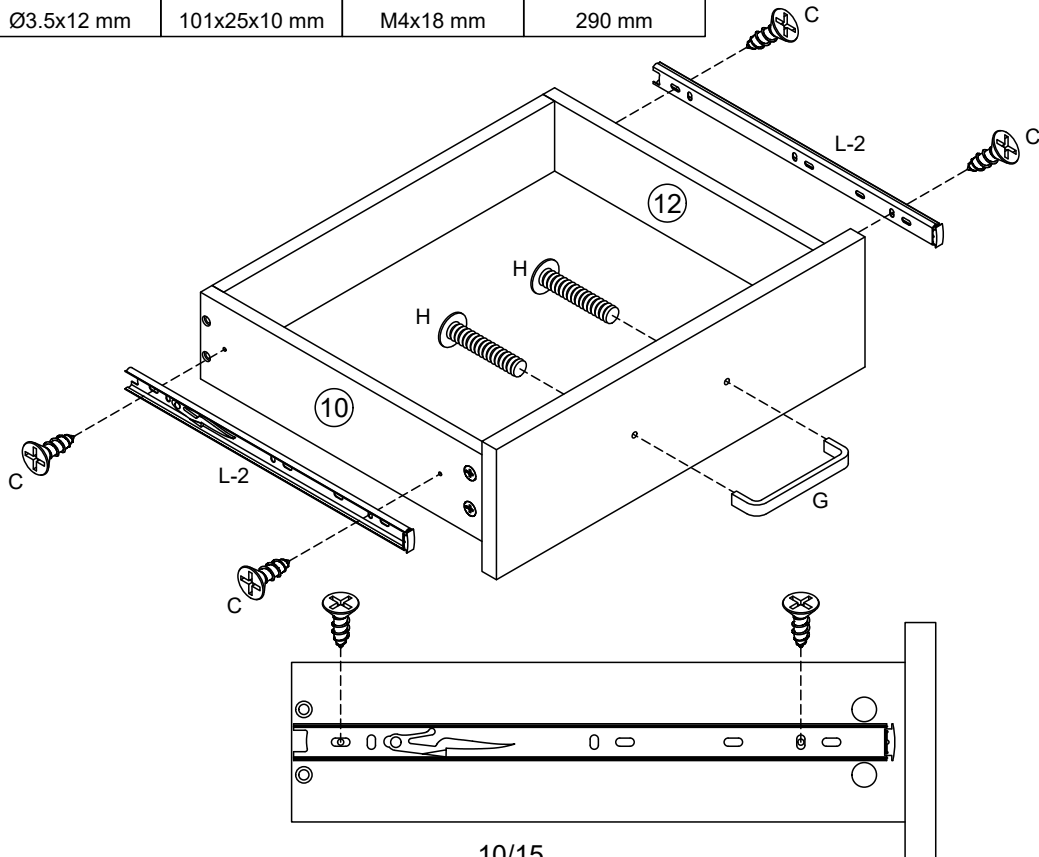
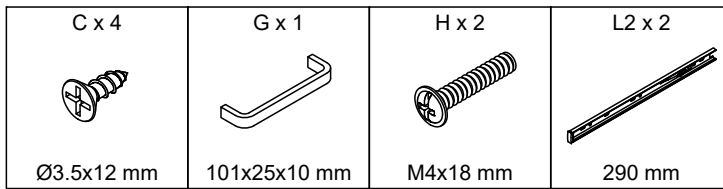
12



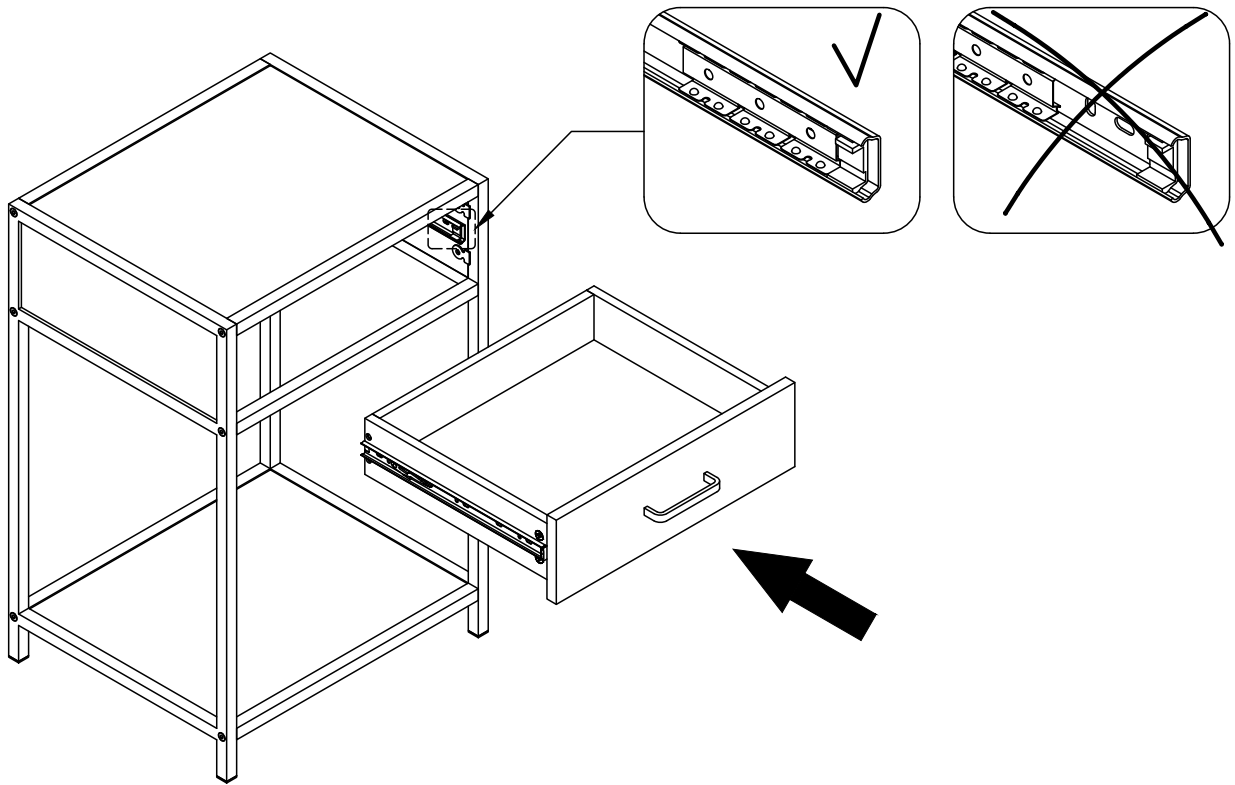
13



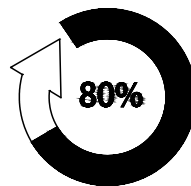
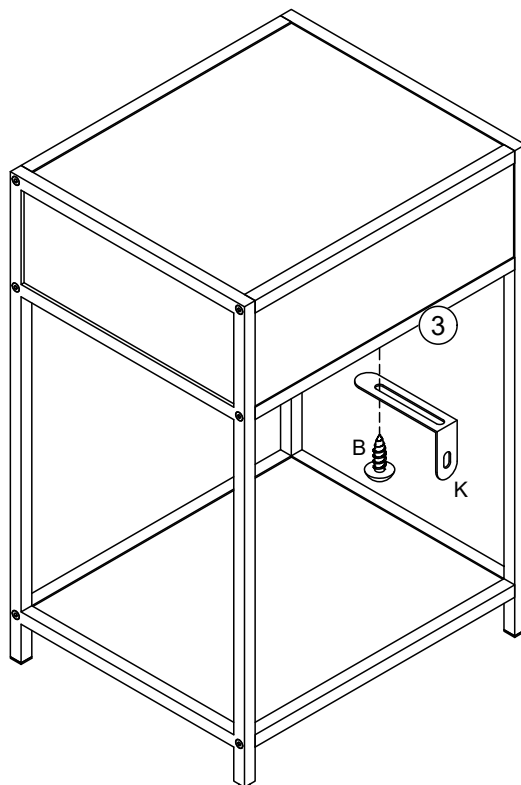
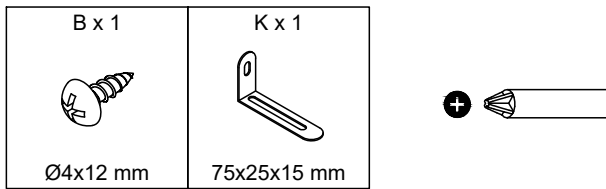
14



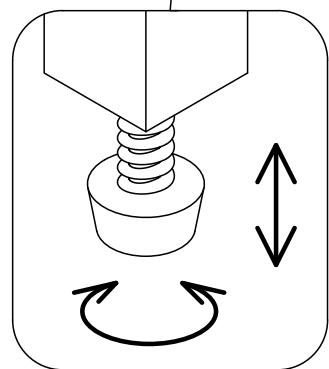
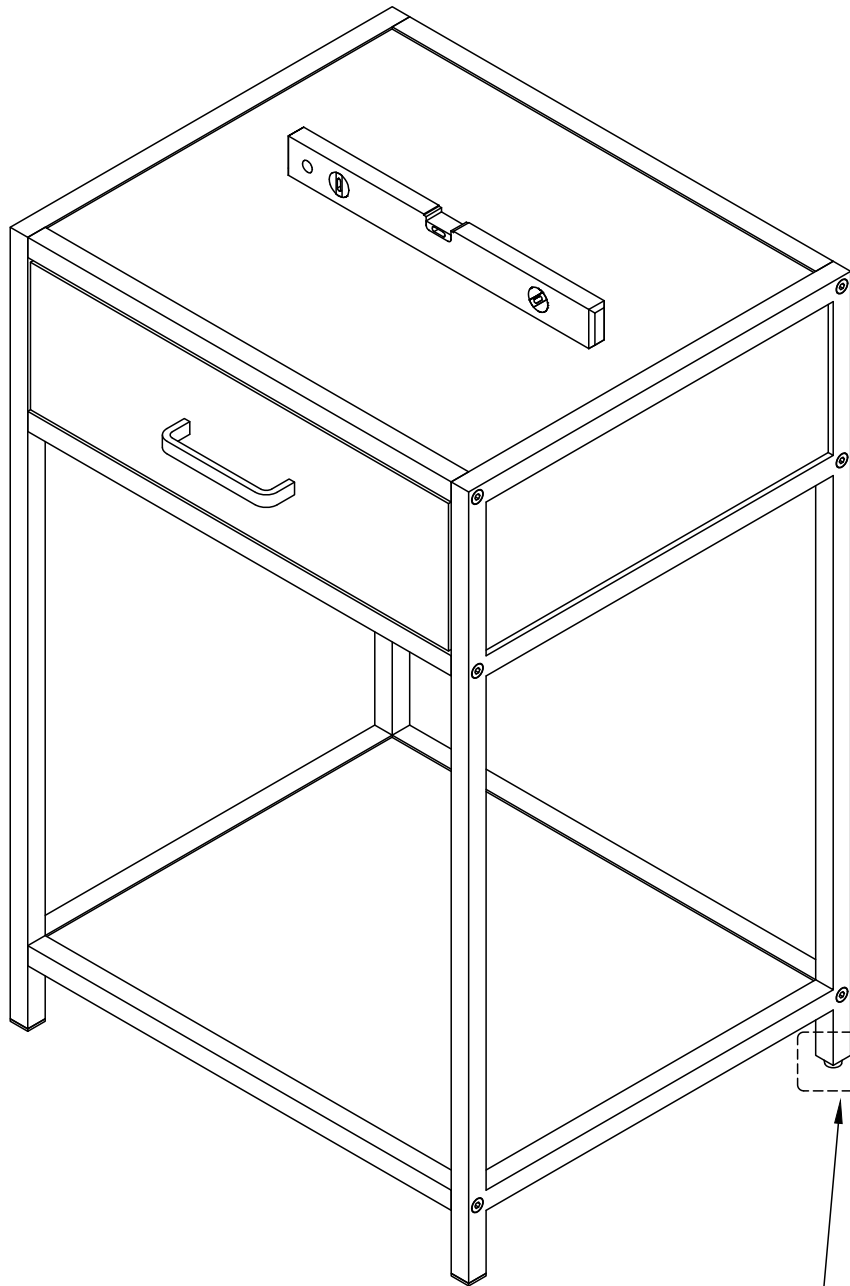
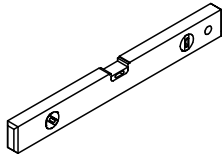
15



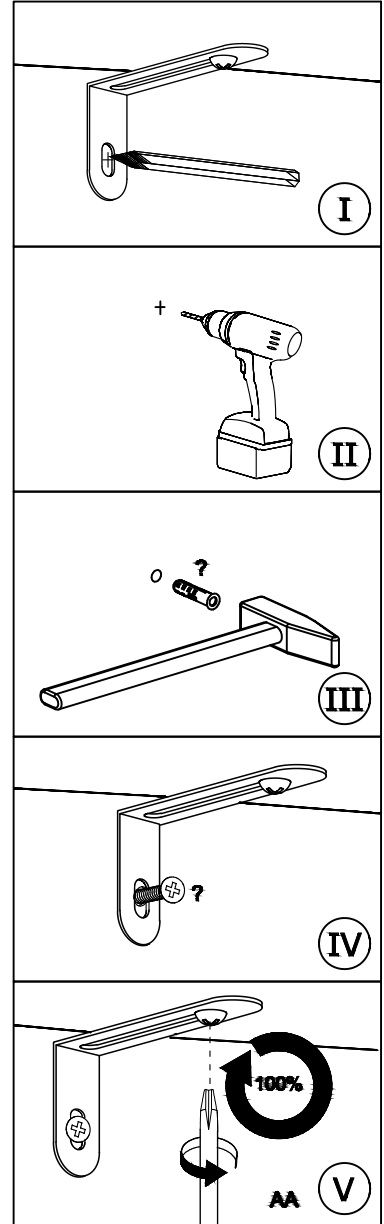
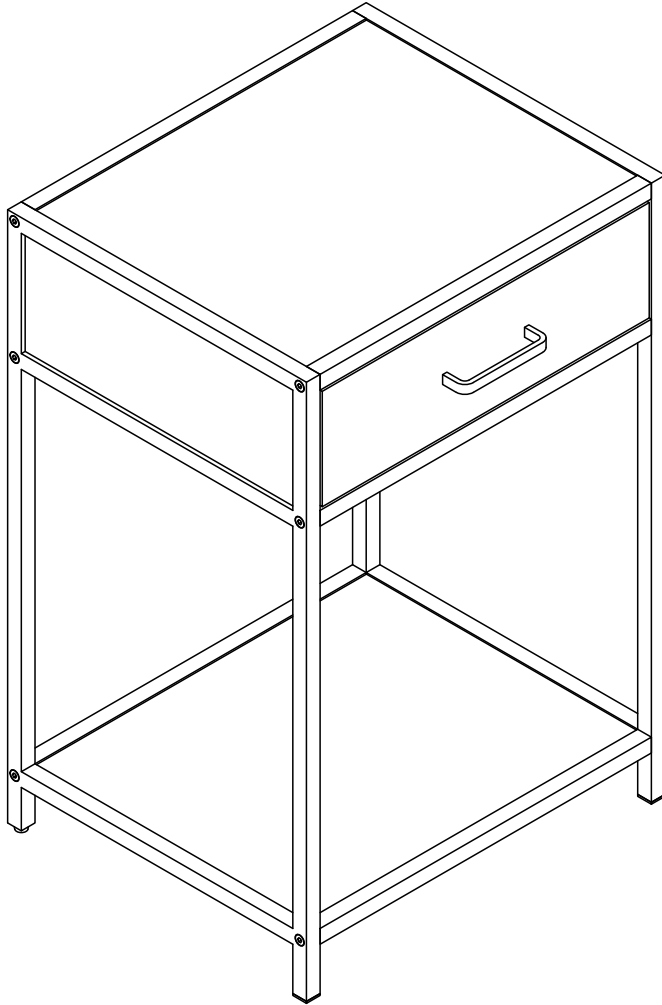
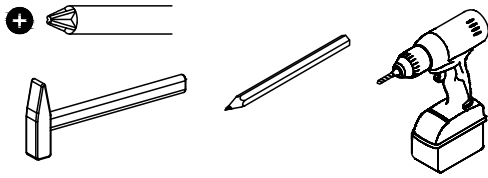
16



17



18



19

