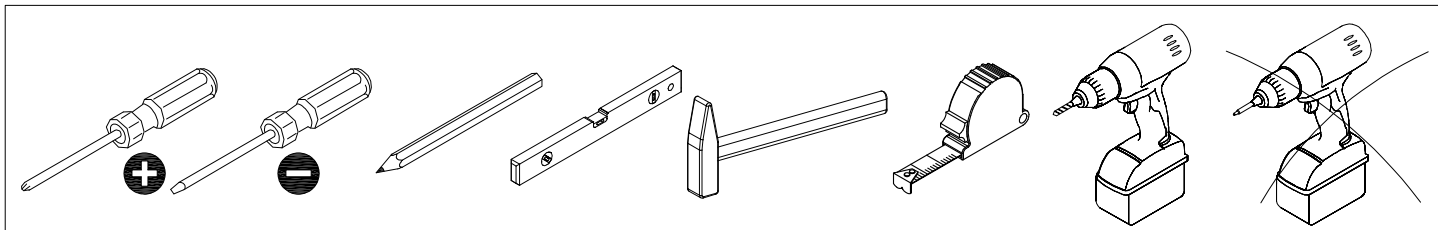
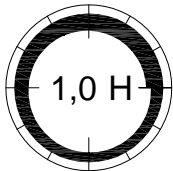
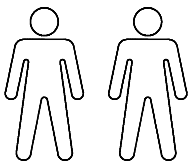
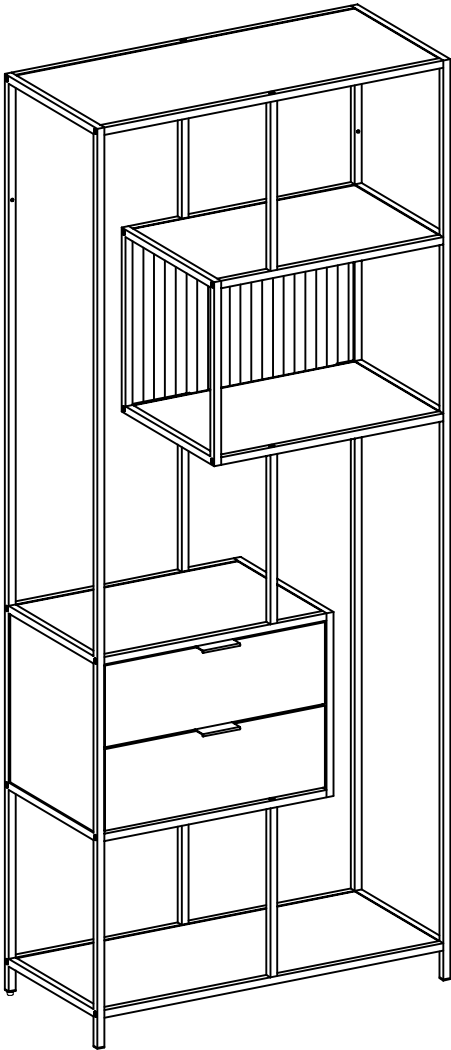
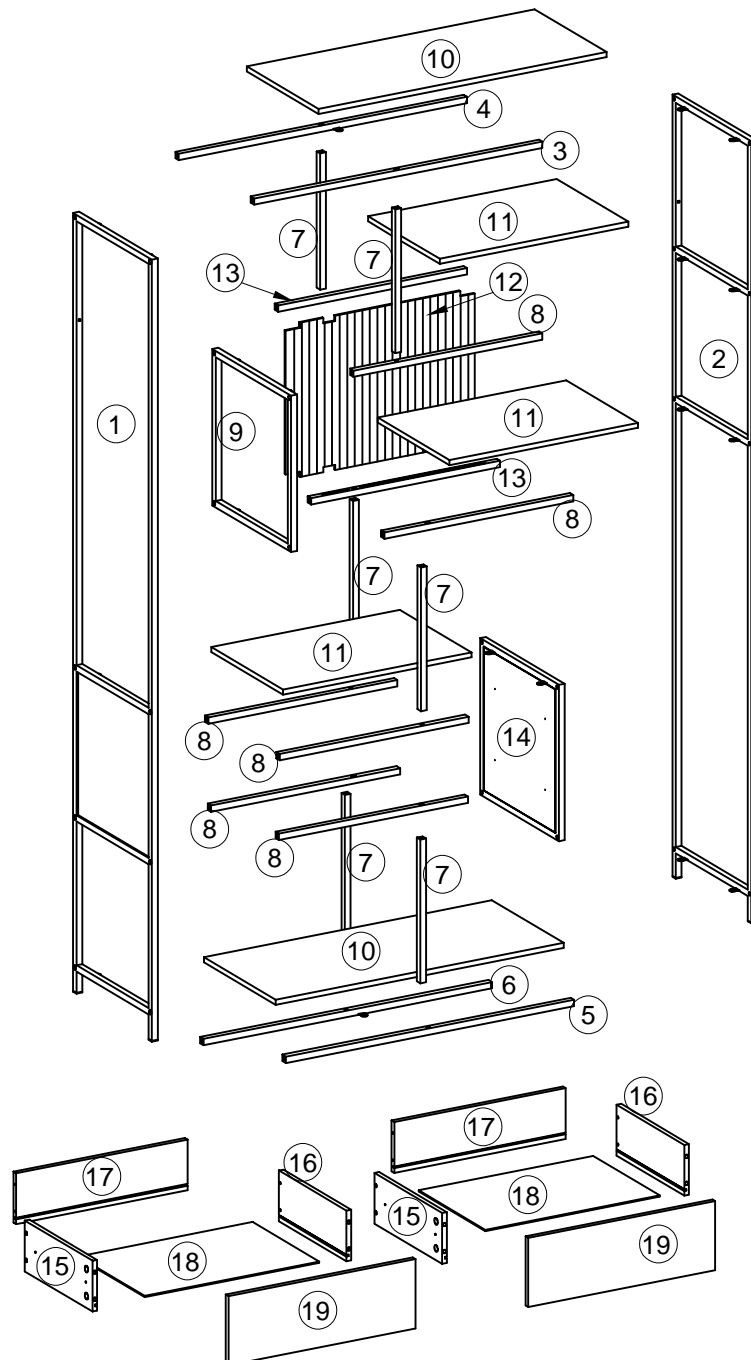


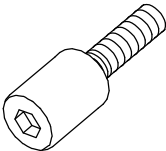
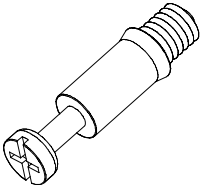
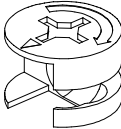
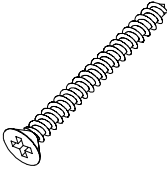
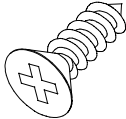
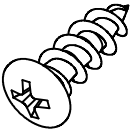
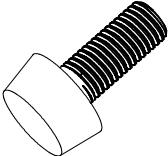
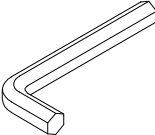
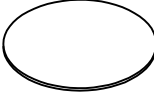
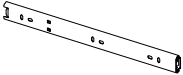
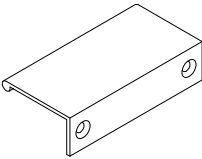
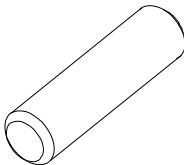
SEAFORD



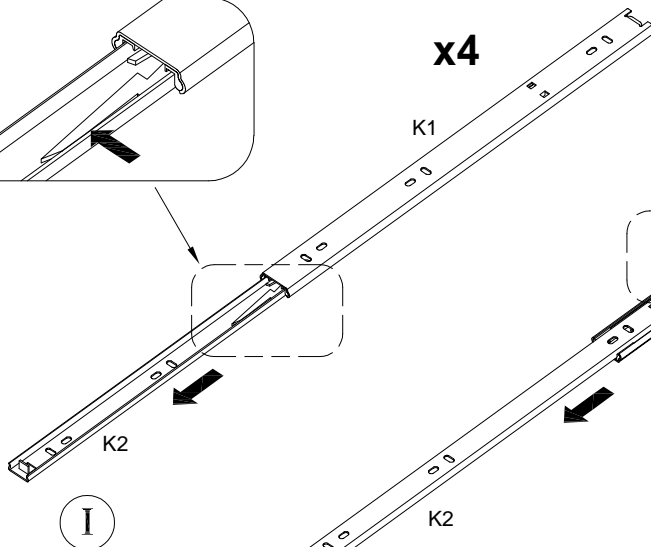
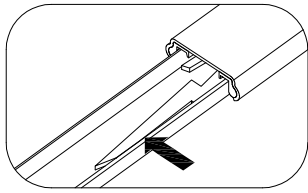
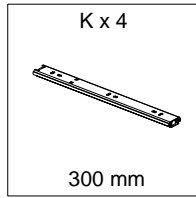
			✓
①	1	1850x350x35	
②	1	1850x350x35	
③	1	738x35x15	
④	1	738x35x15	
⑤	1	738x35x15	
⑥	1	738x35x15	
⑦	6	339x15x15	
⑧	6	484x15x15	
⑨	1	369x350x35	
⑩	2	737x318x12	

			✓
⑪	3	483x318x12	
⑫	1	483x349x4.75	
⑬	2	484x15x15	
⑭	1	369x350x35	
⑮	2	302x120x12	
⑯	2	302x120x12	
⑰	2	440x120x12	
⑱	2	447x299x2.75	
⑲	2	480x164x12	

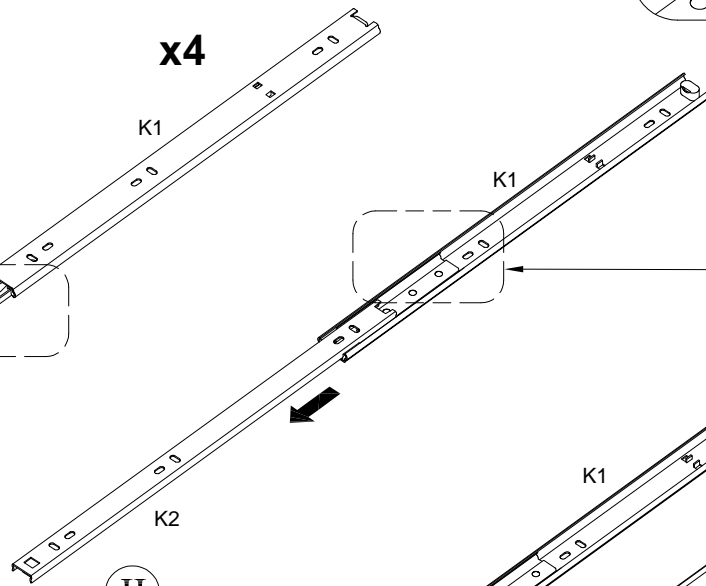


<p>A x 36</p>  <p>M6x15 mm</p>	<p>B x 8</p>  <p>Ø6.3x35 mm</p>	<p>C x 8</p>  <p>Ø15x9 mm</p>	<p>D x 8</p>  <p>Ø4x35 mm</p>	<p>E x 20</p>  <p>Ø3.5x12 mm</p>
<p>F x 24</p>  <p>Ø4x12 mm</p>	<p>G x 1</p>  <p>Ø13xM6x22 mm</p>	<p>H x 1</p>  <p>4 mm</p>	<p>J x 8</p>  <p>Ø20 mm</p>	<p>K x 4</p>  <p>300 mm</p>
<p>L x 2</p>  <p>80x32x18 mm</p>	<p>M x 4</p>  <p>Ø6x30 mm</p>			

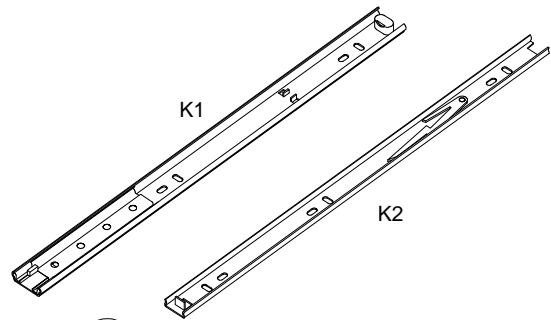
1



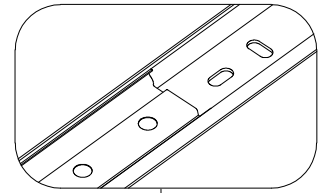
I



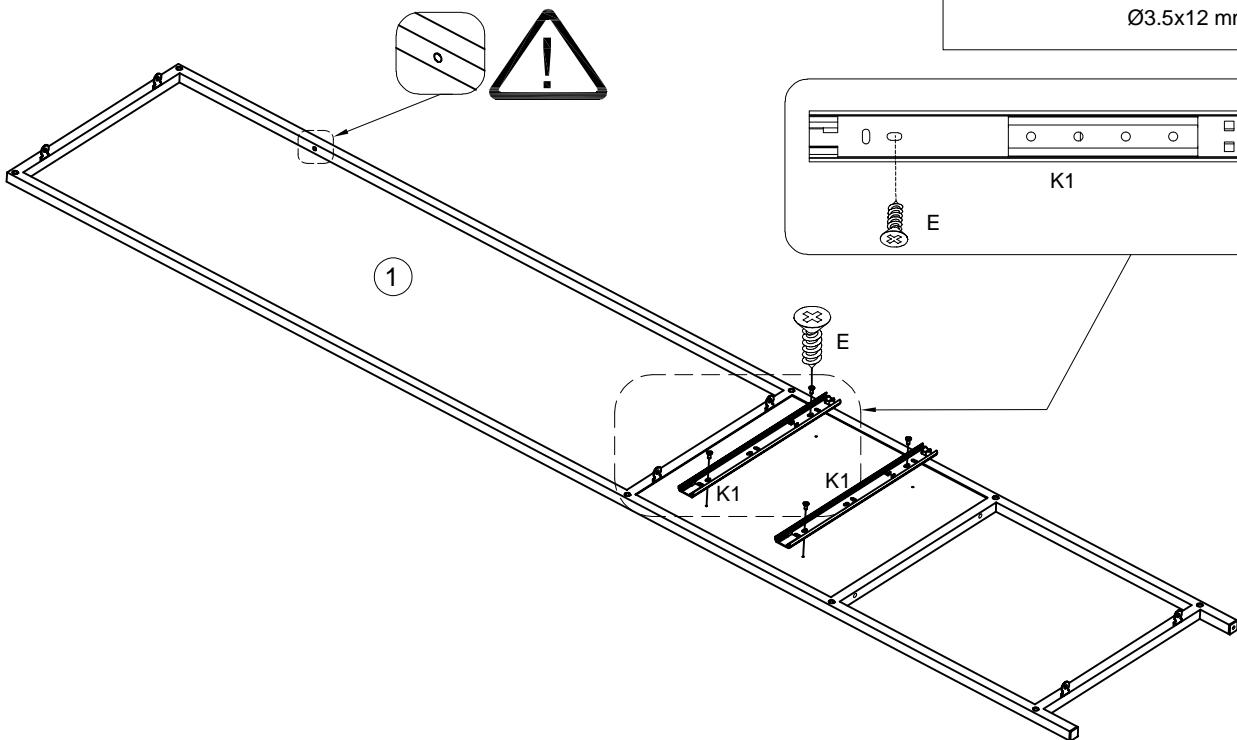
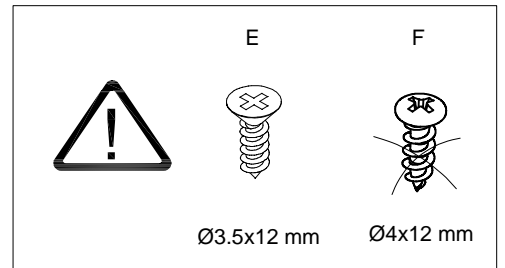
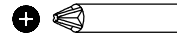
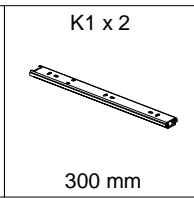
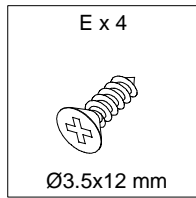
II



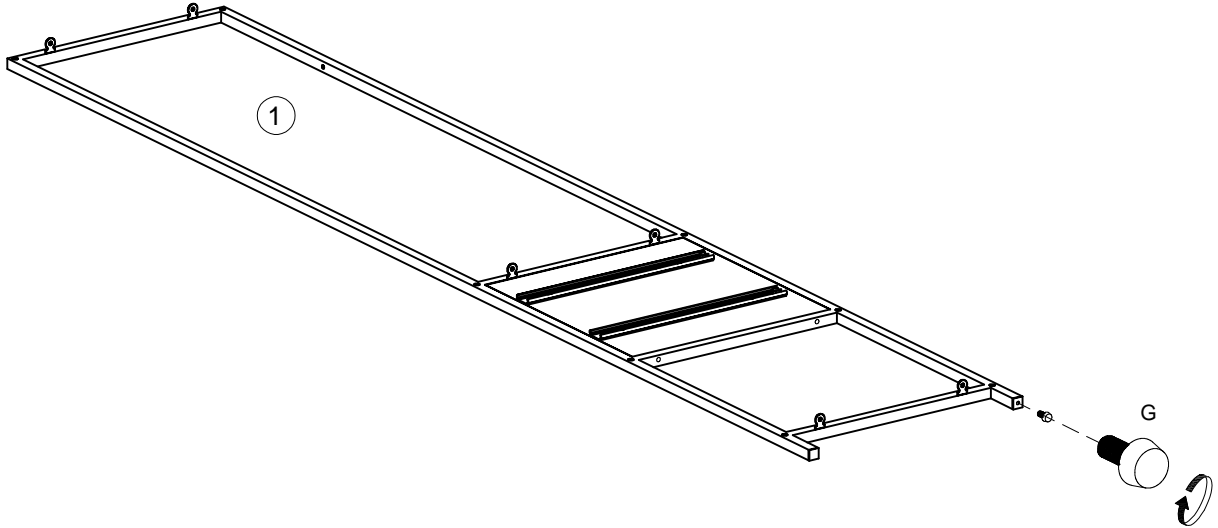
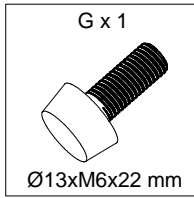
III



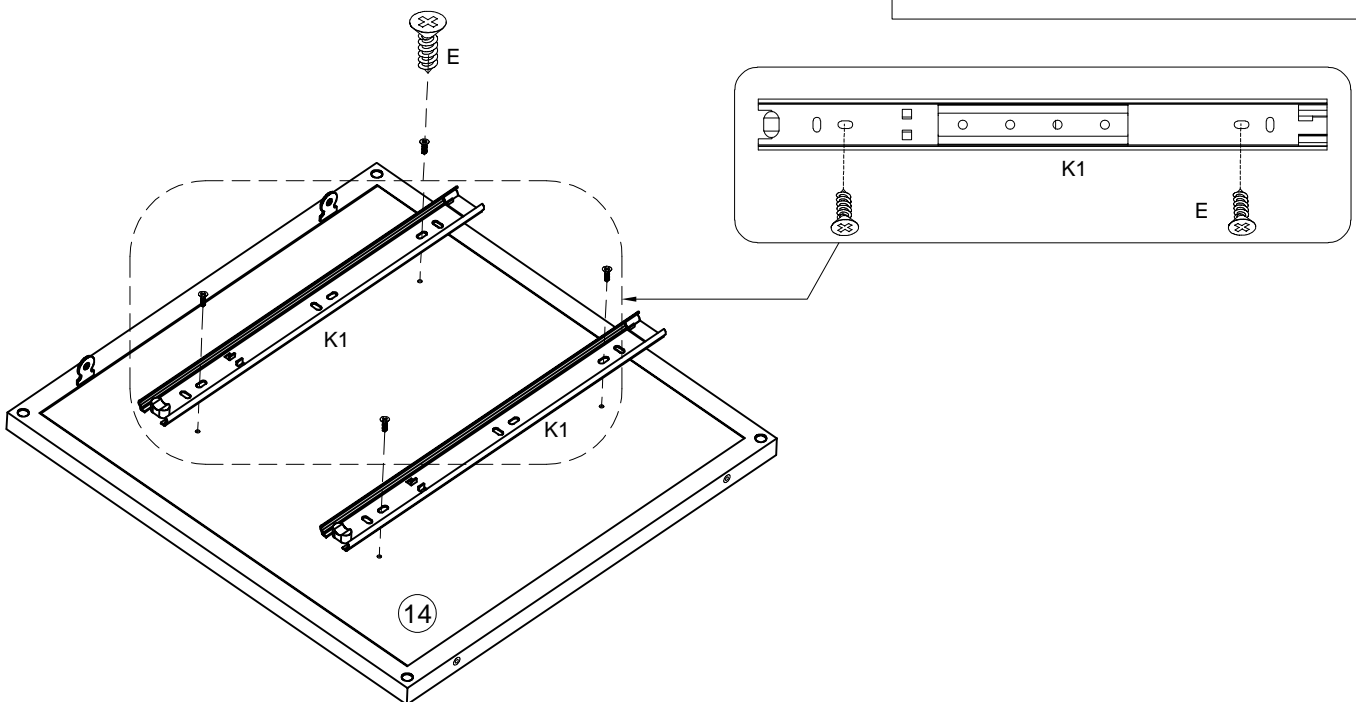
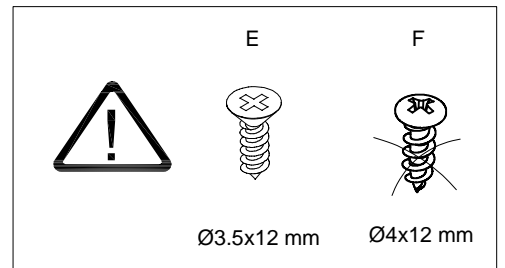
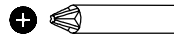
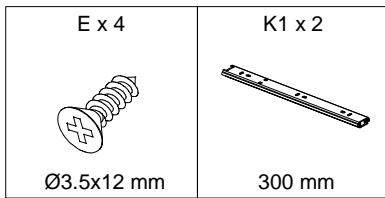
2



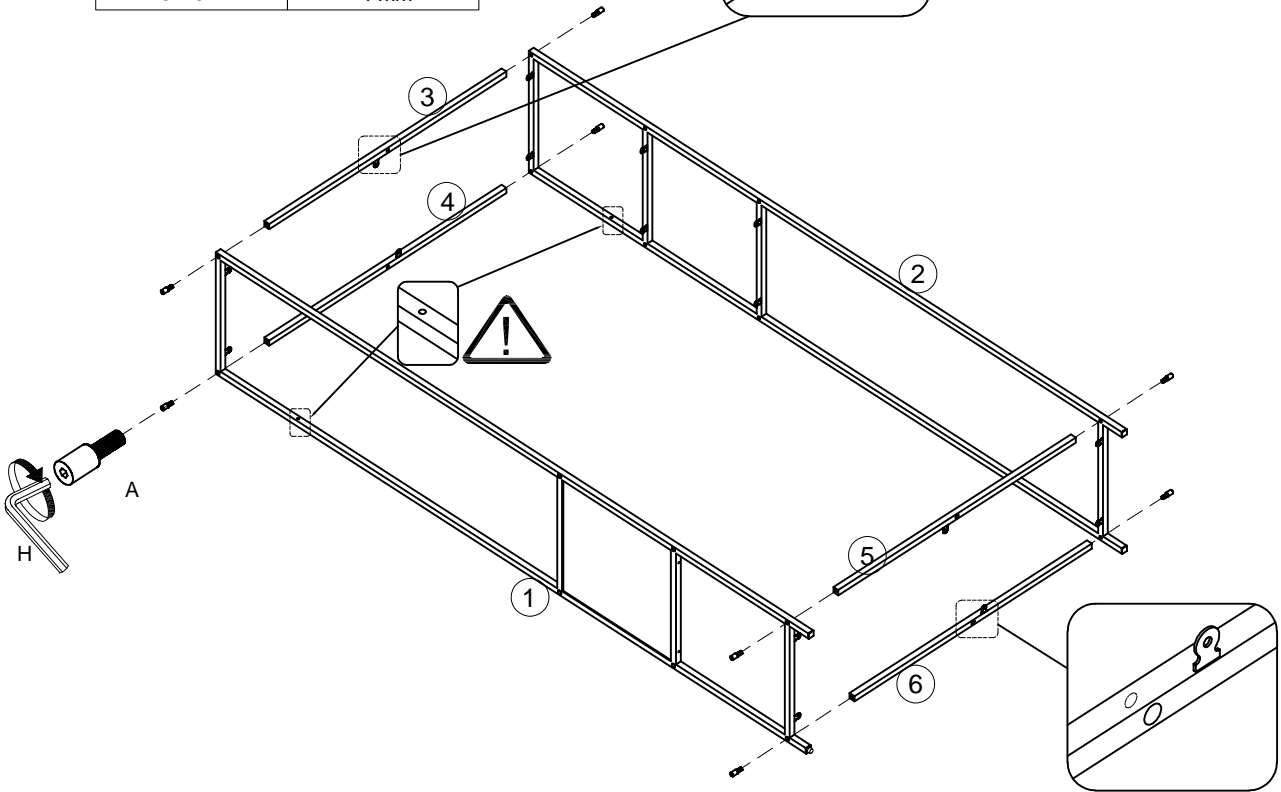
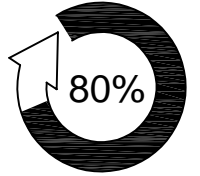
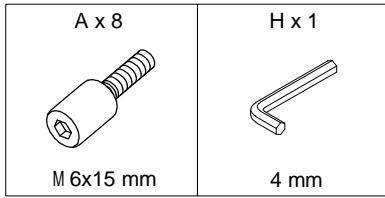
3



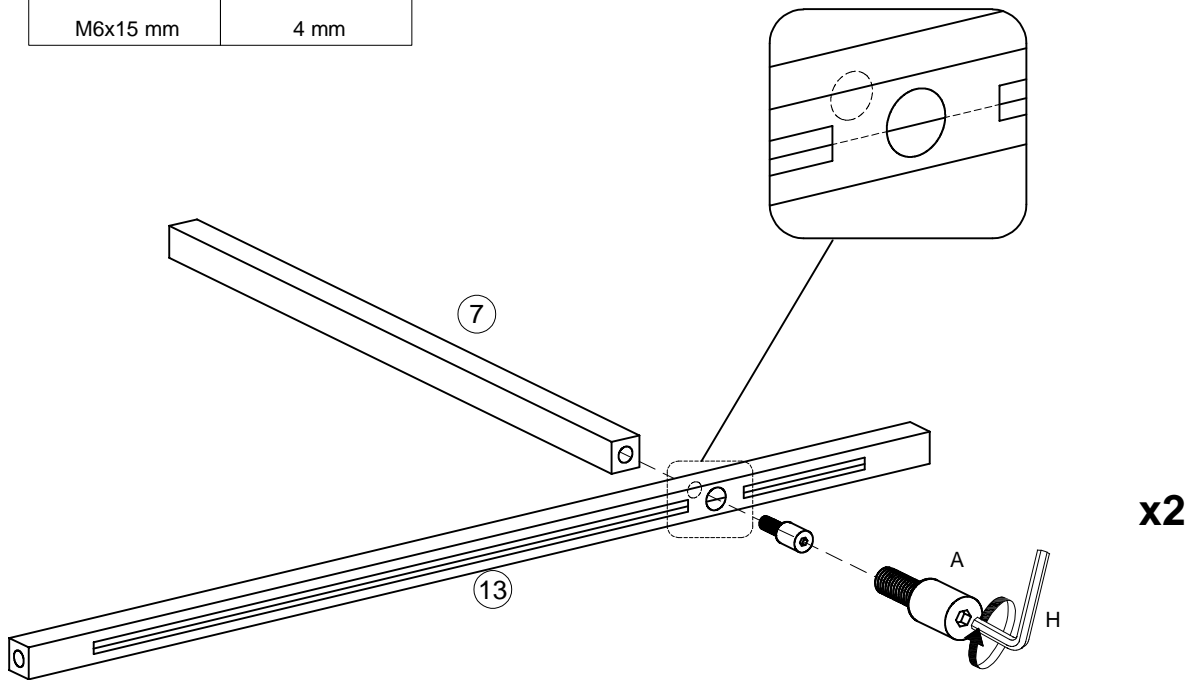
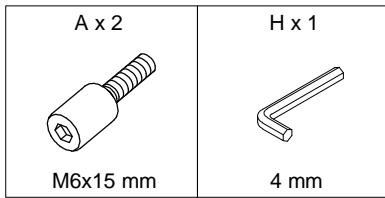
4




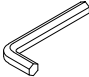
5

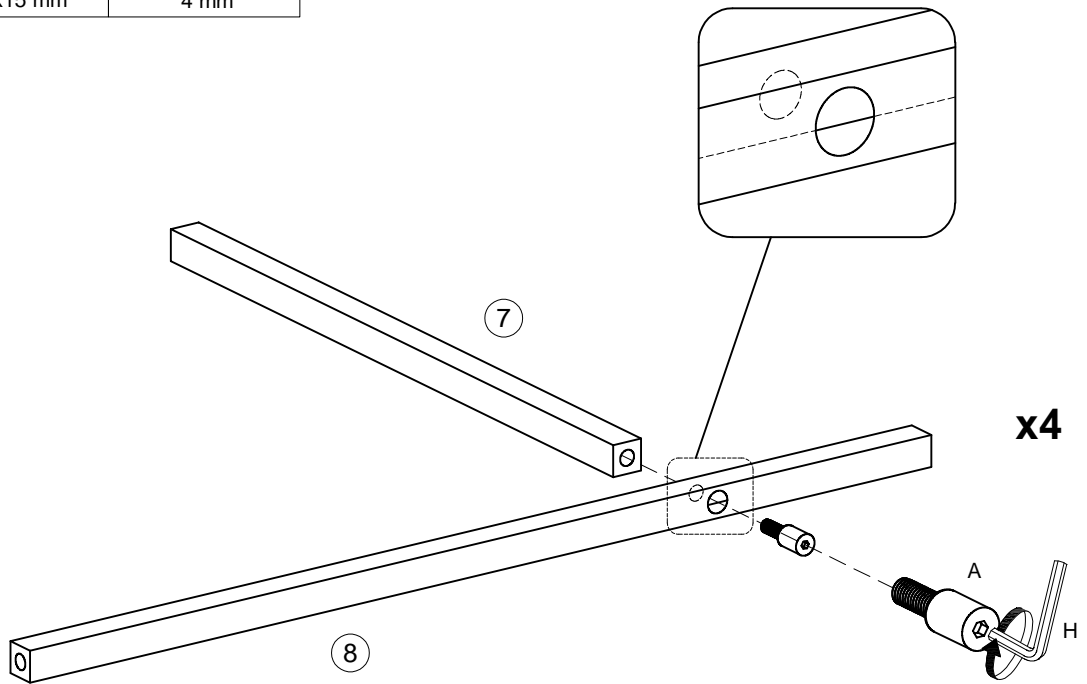


6

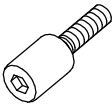
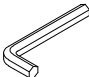


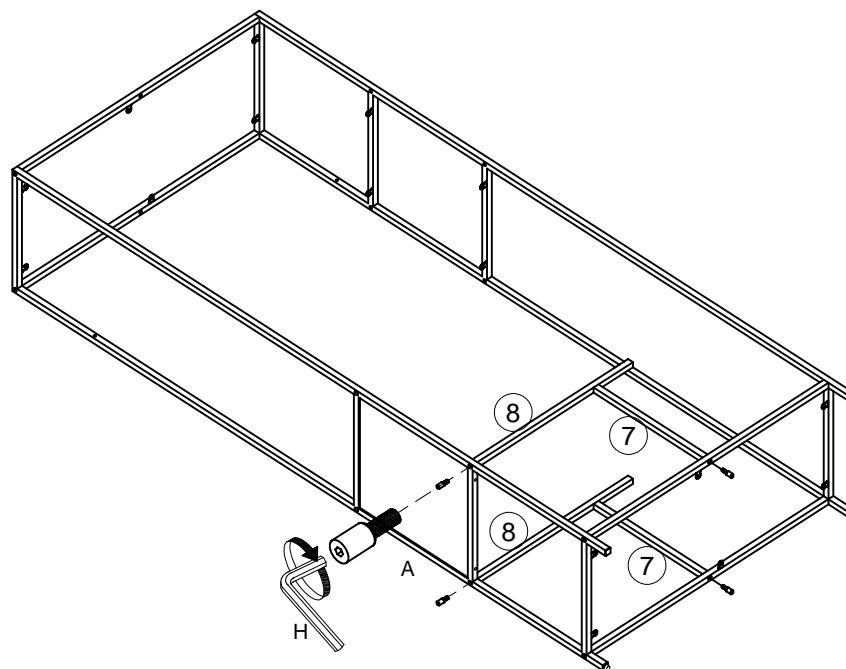
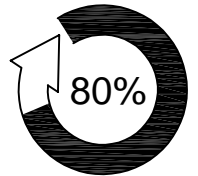
7

A x 4  M6x15 mm	H x 1  4 mm
--	--


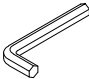


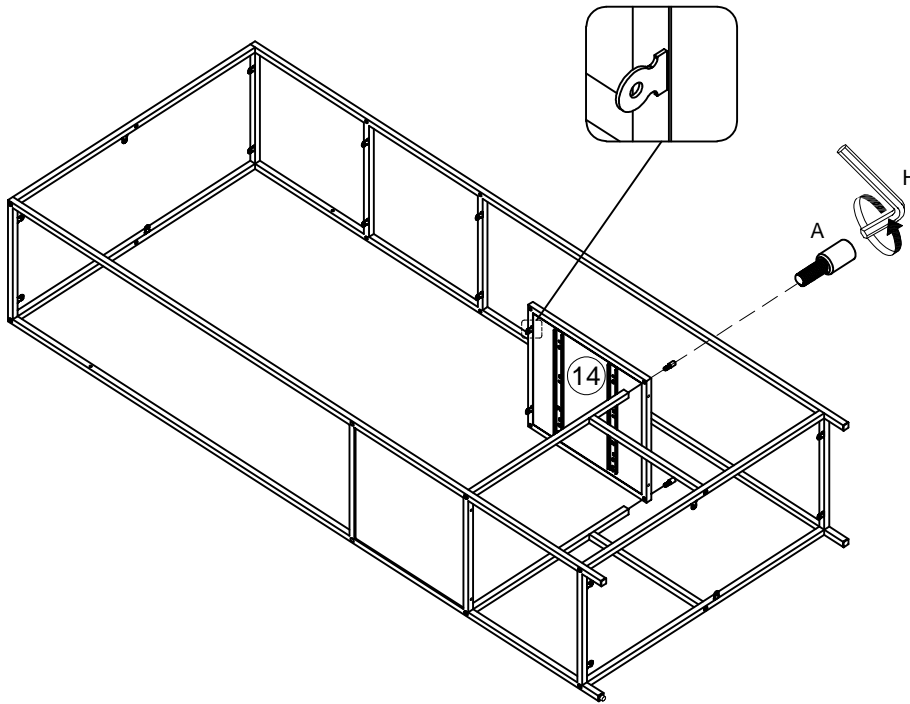
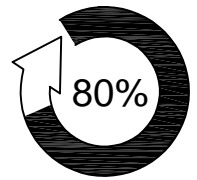
8

A x 4  M6x15 mm	H x 1  4 mm
--	--

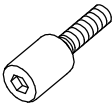
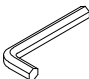


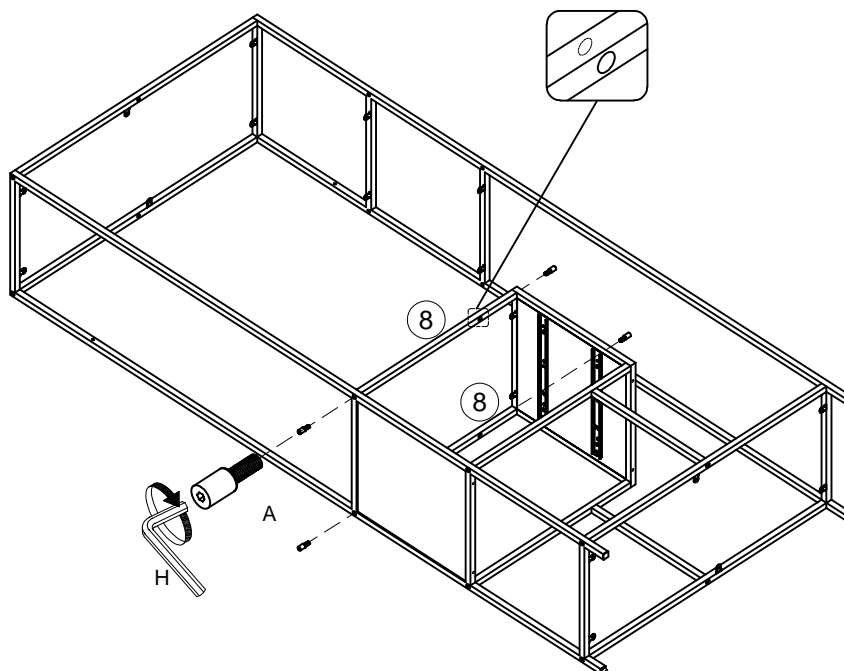
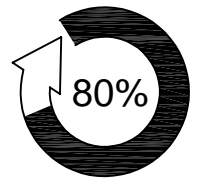
9

A x 2	H x 1
	
M6x15 mm	4 mm

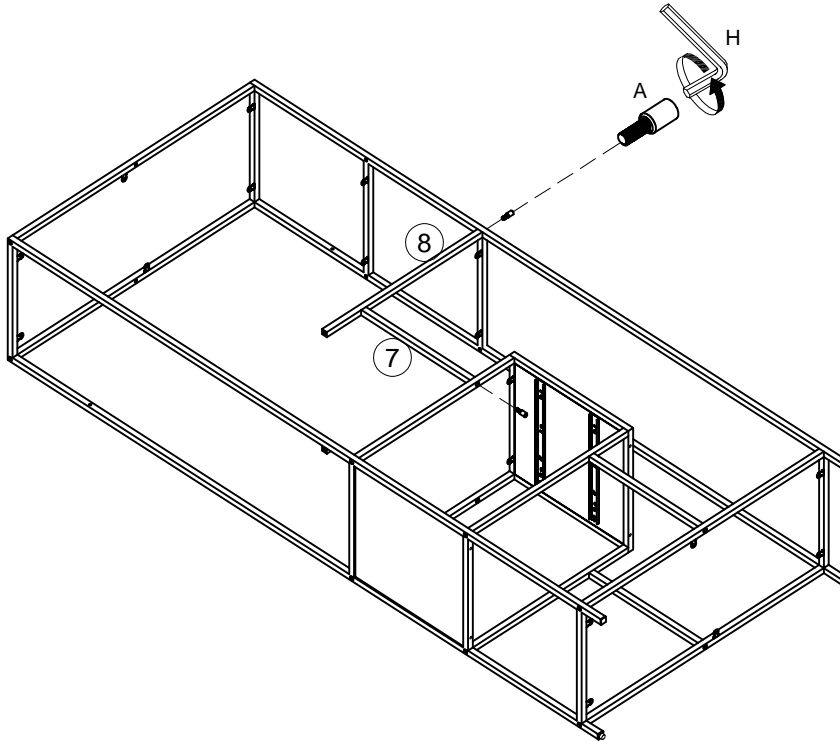
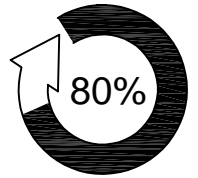
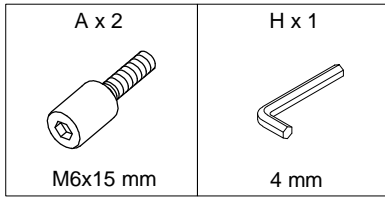


10

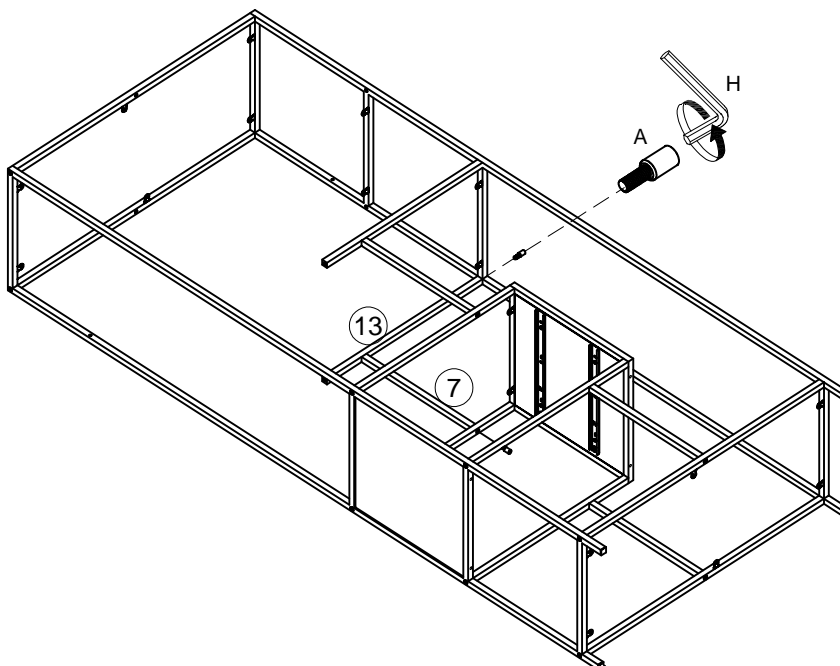
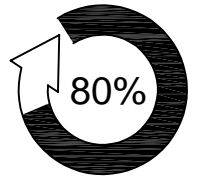
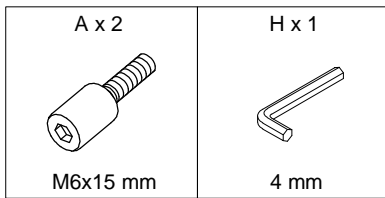
A x 4	H x 1
	
M6x15 mm	4 mm



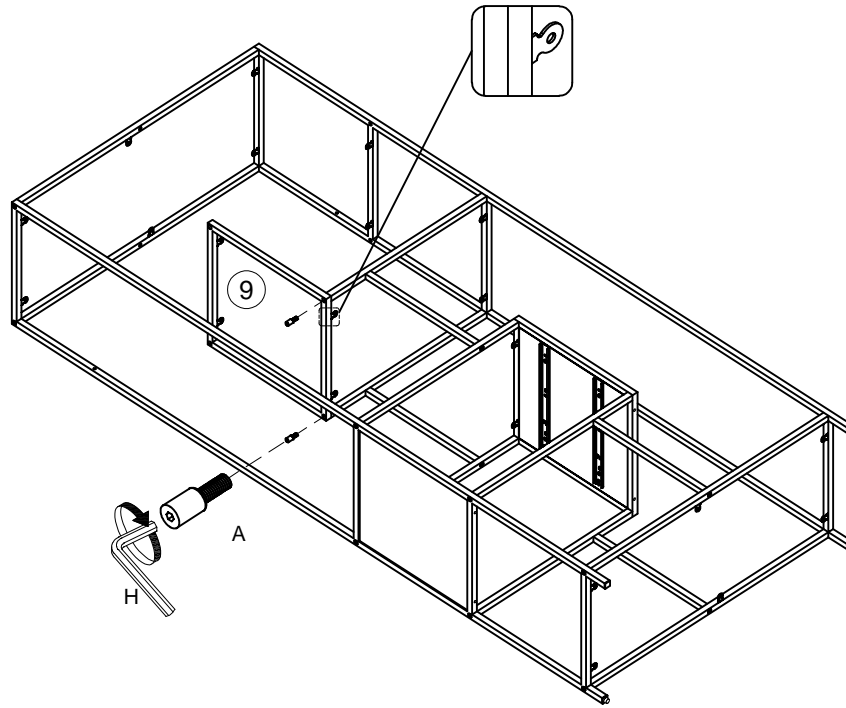
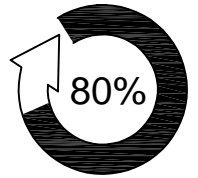
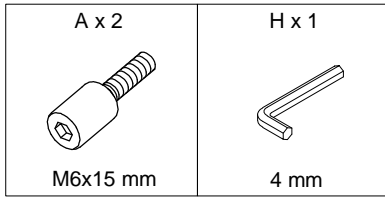
11



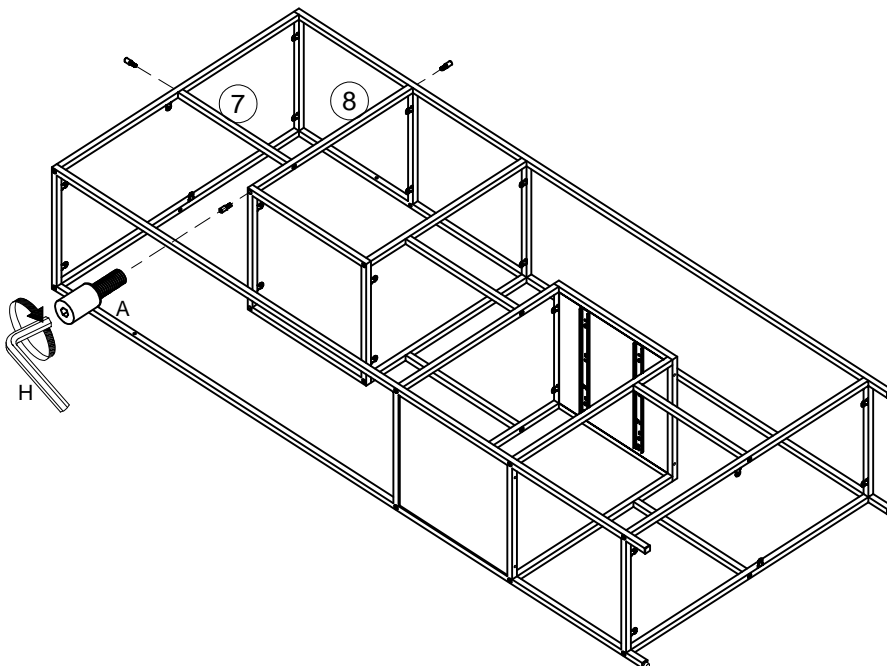
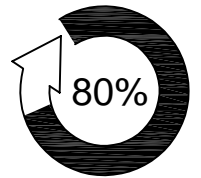
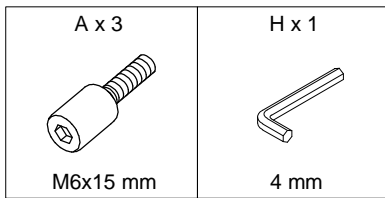
12

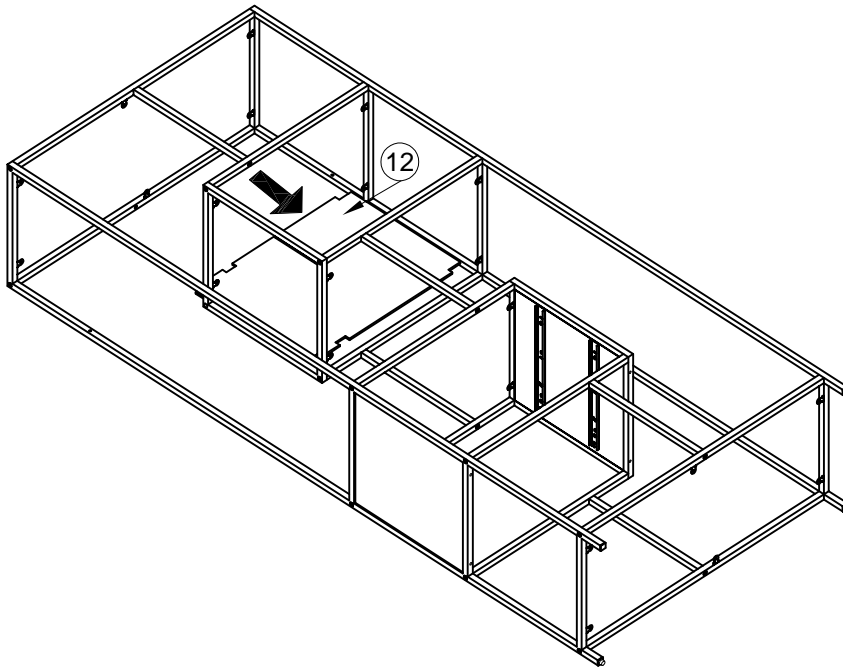
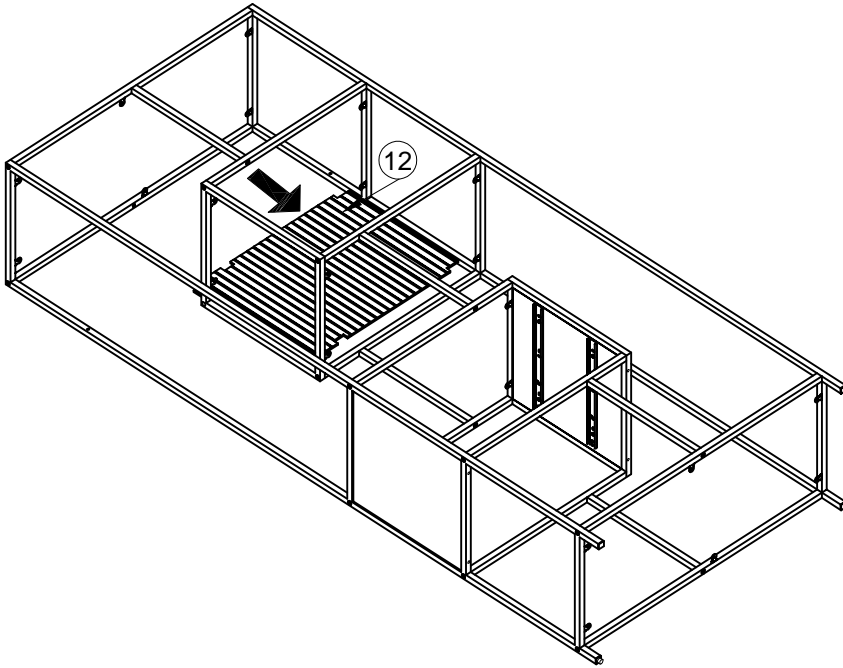


13

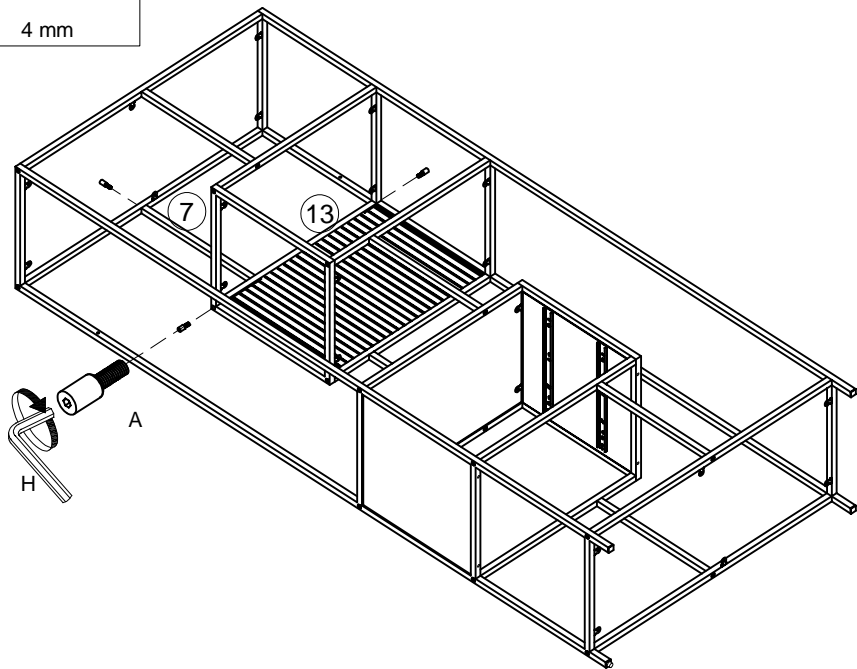
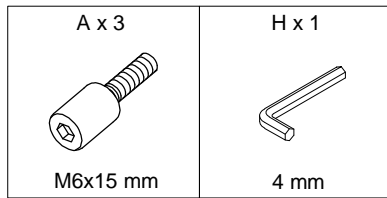


14

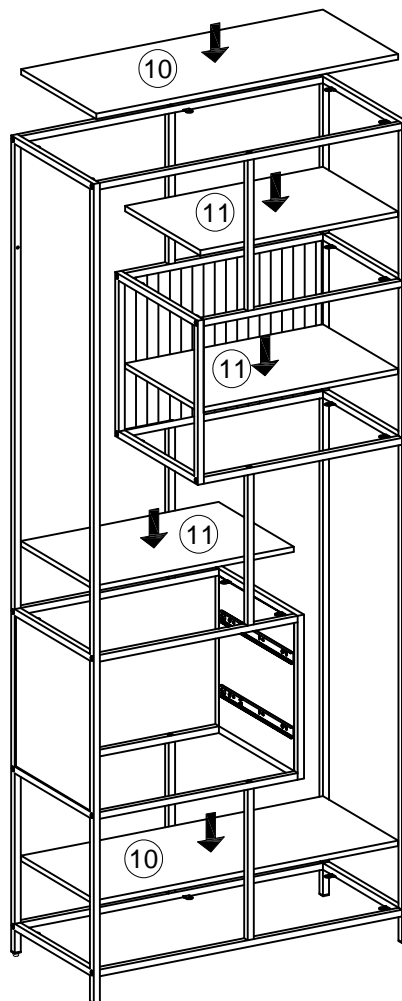




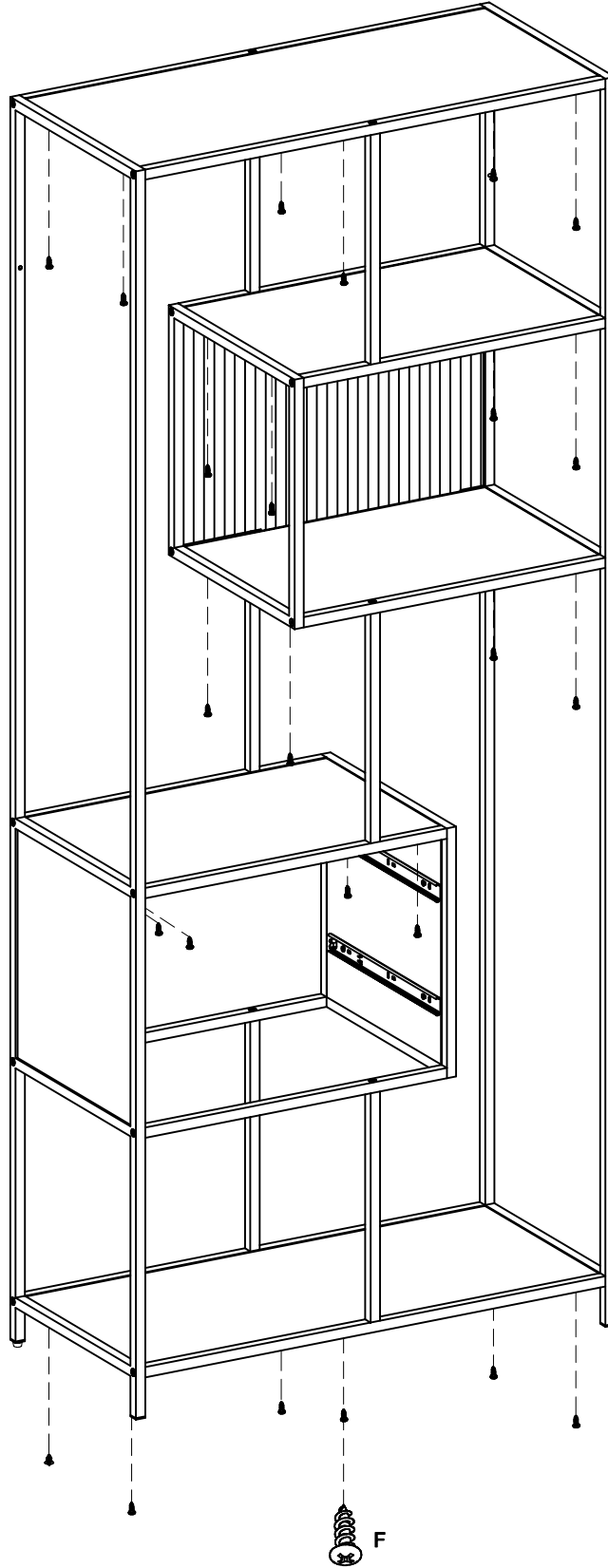
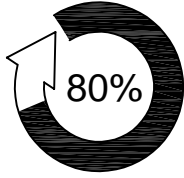
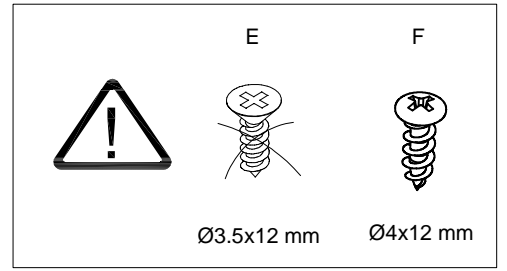
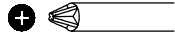
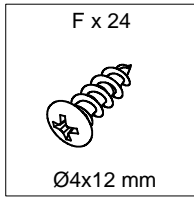
16



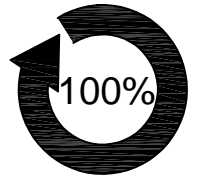
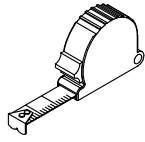
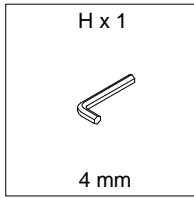
17



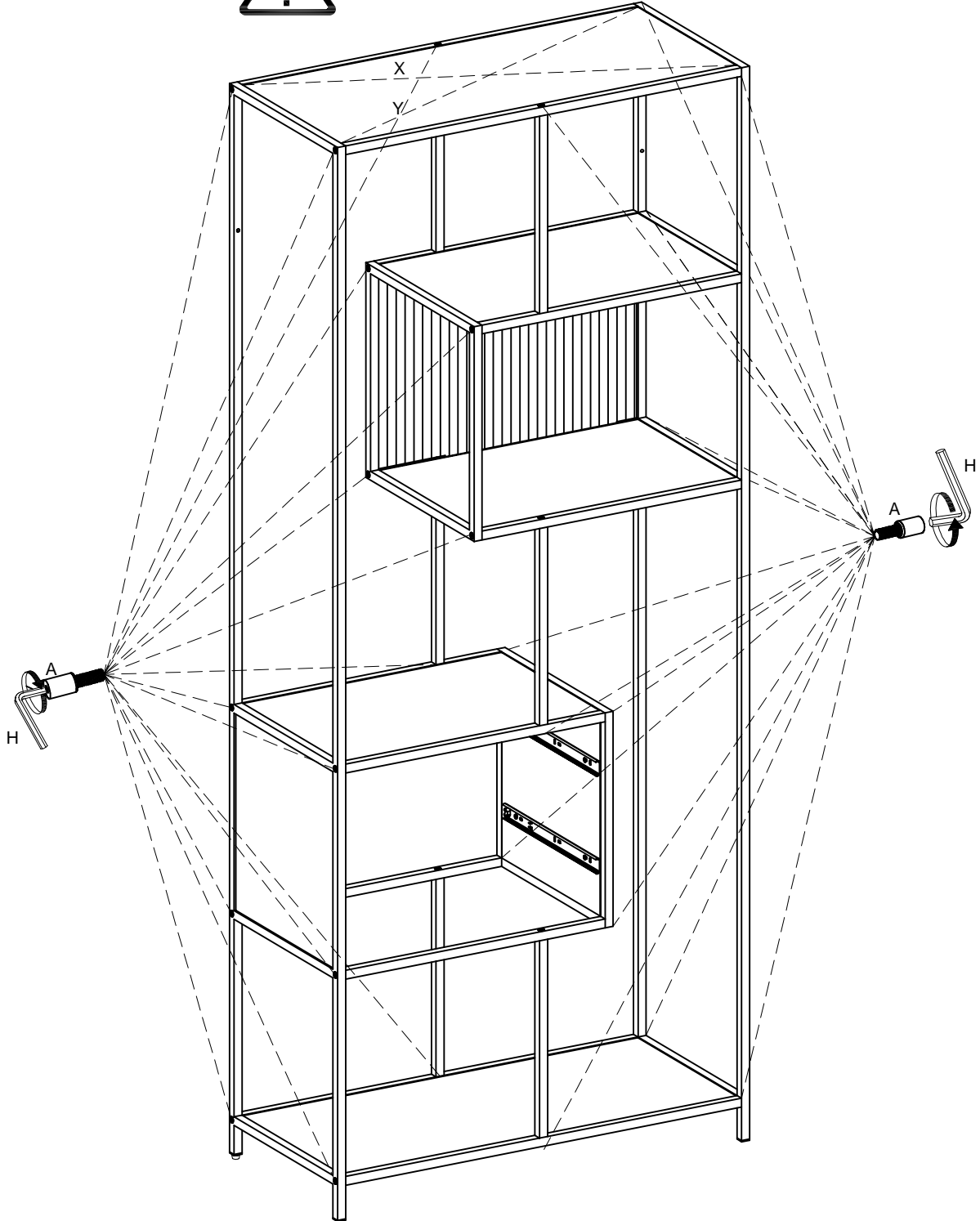
18



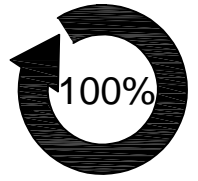
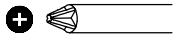
19



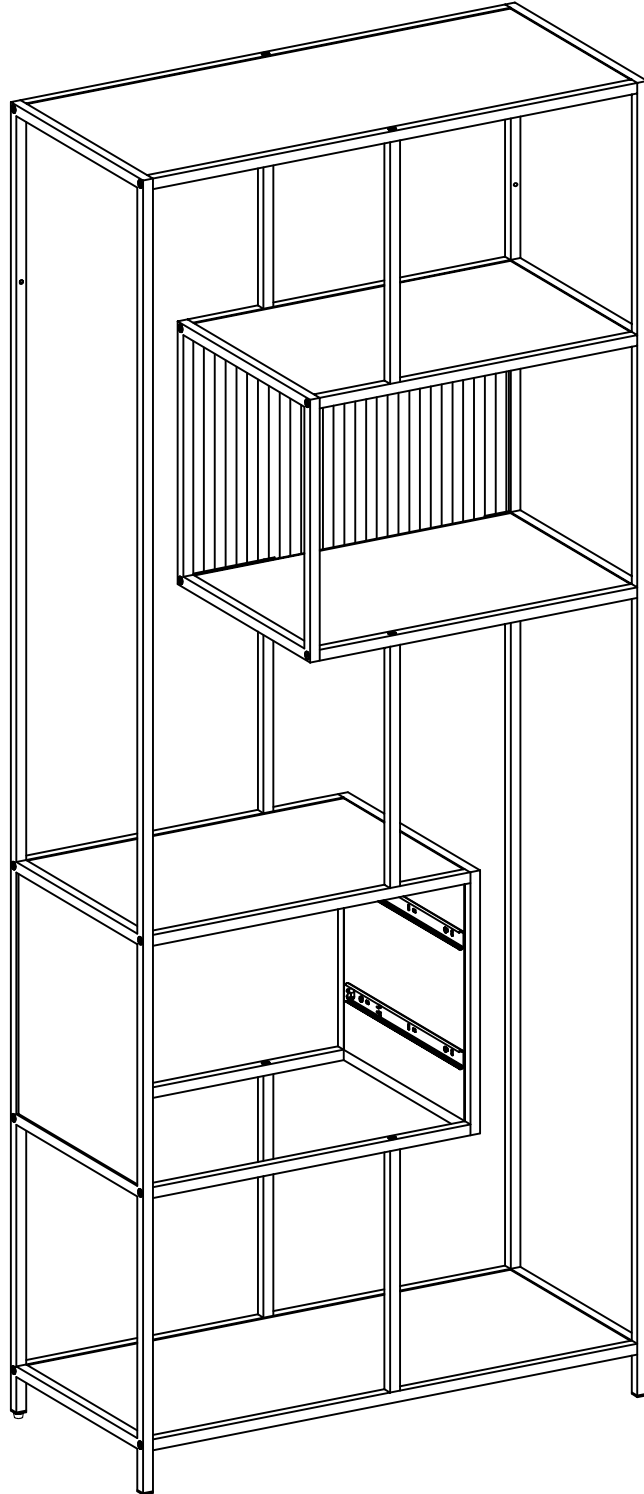
A×30



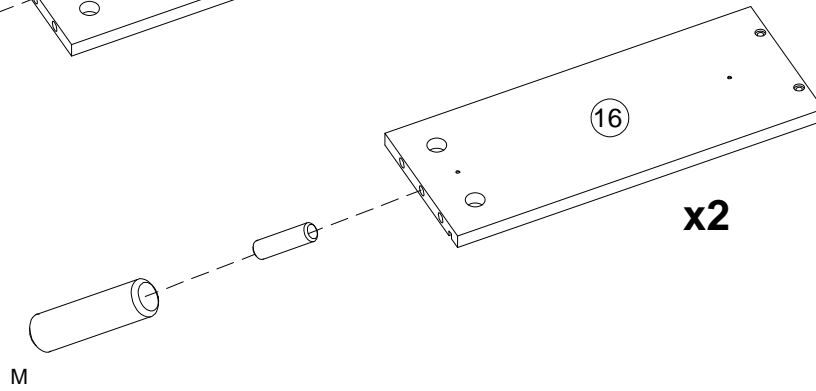
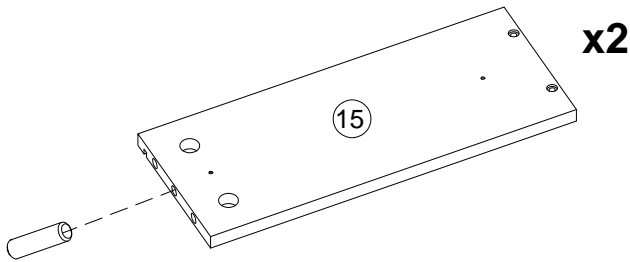
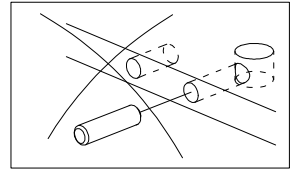
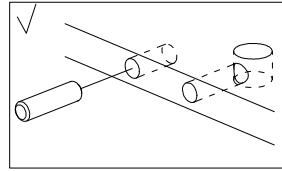
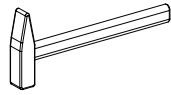
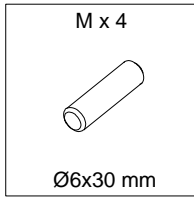
20



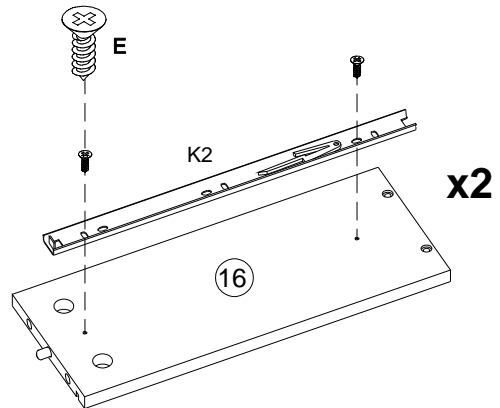
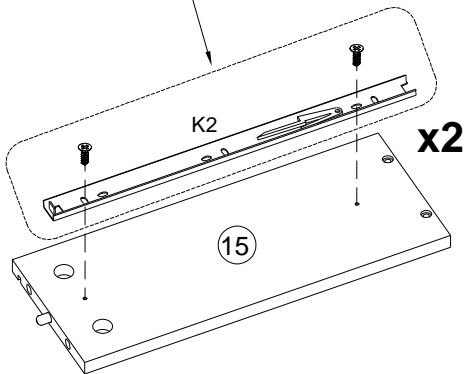
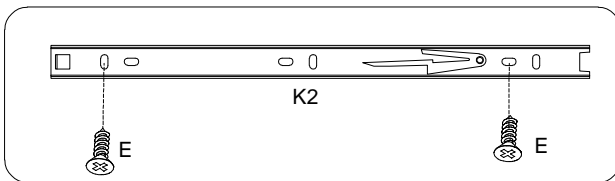
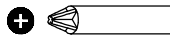
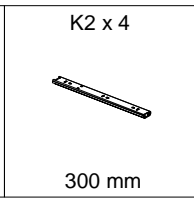
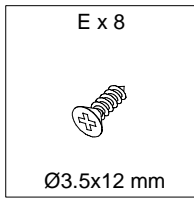
Fx24



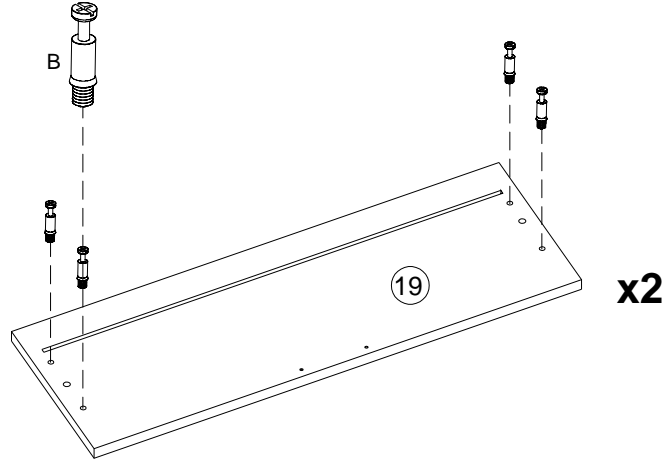
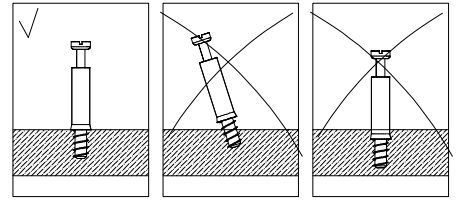
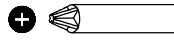
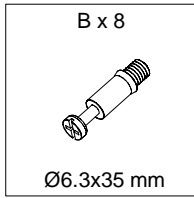
21



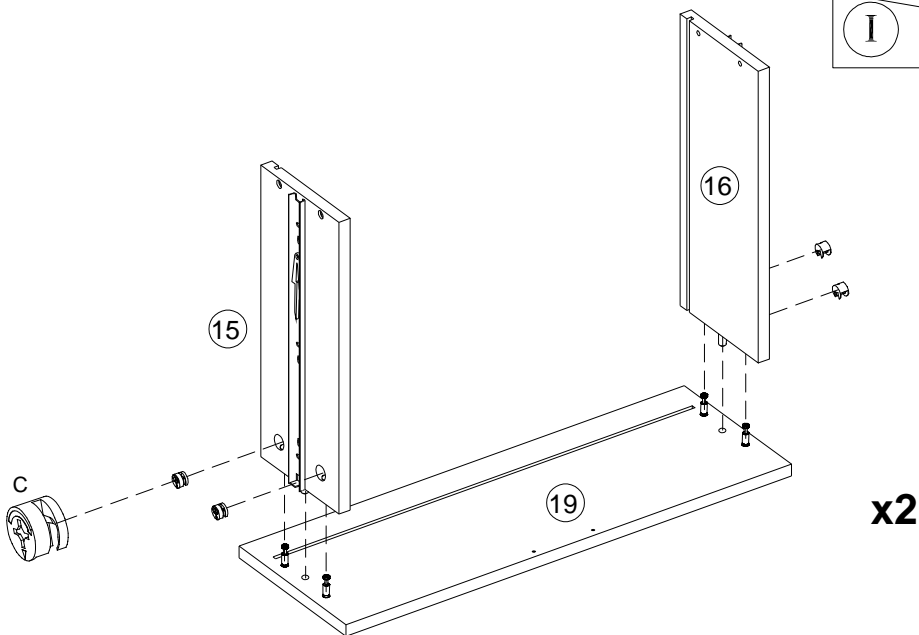
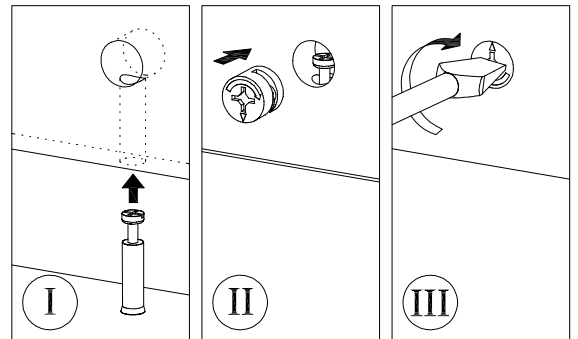
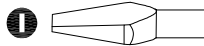
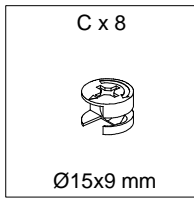
22



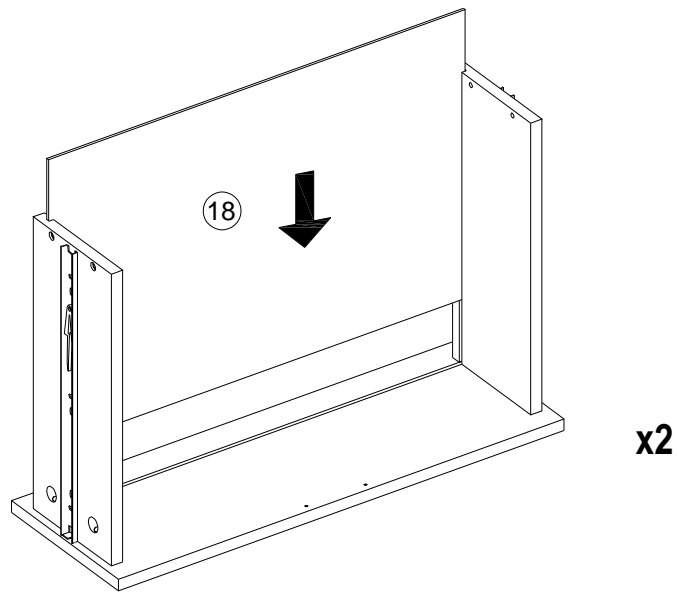
23



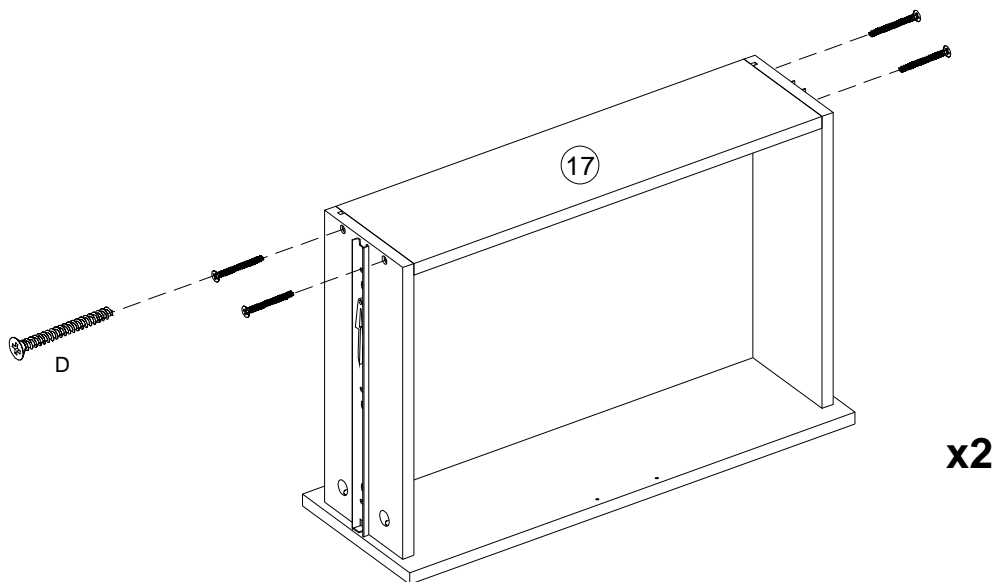
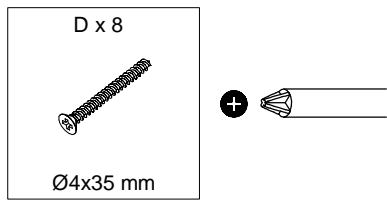
24





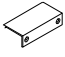
25

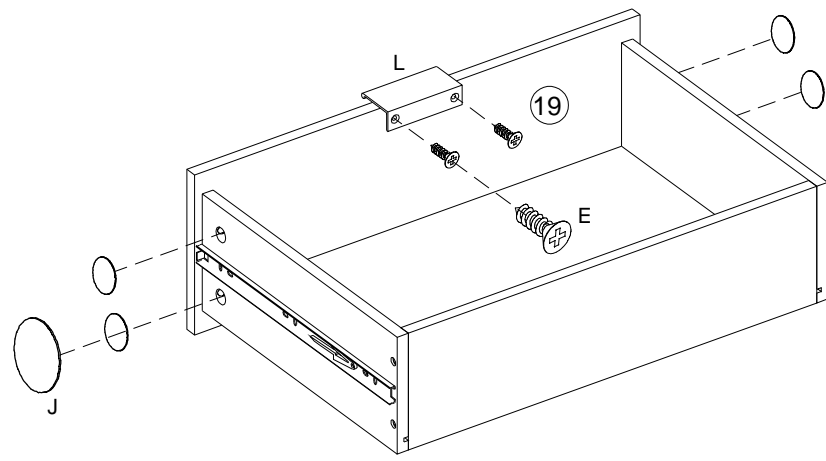
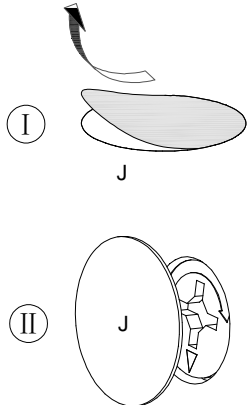
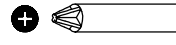


26

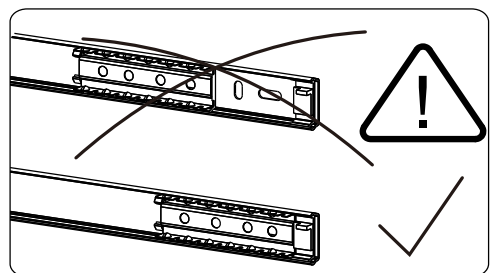
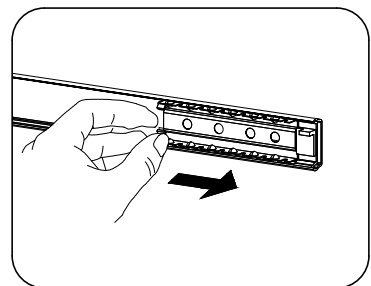
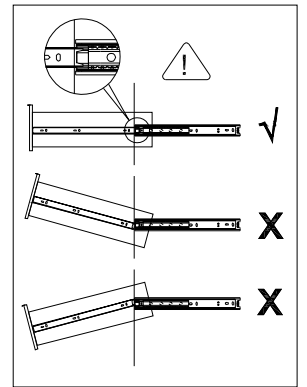
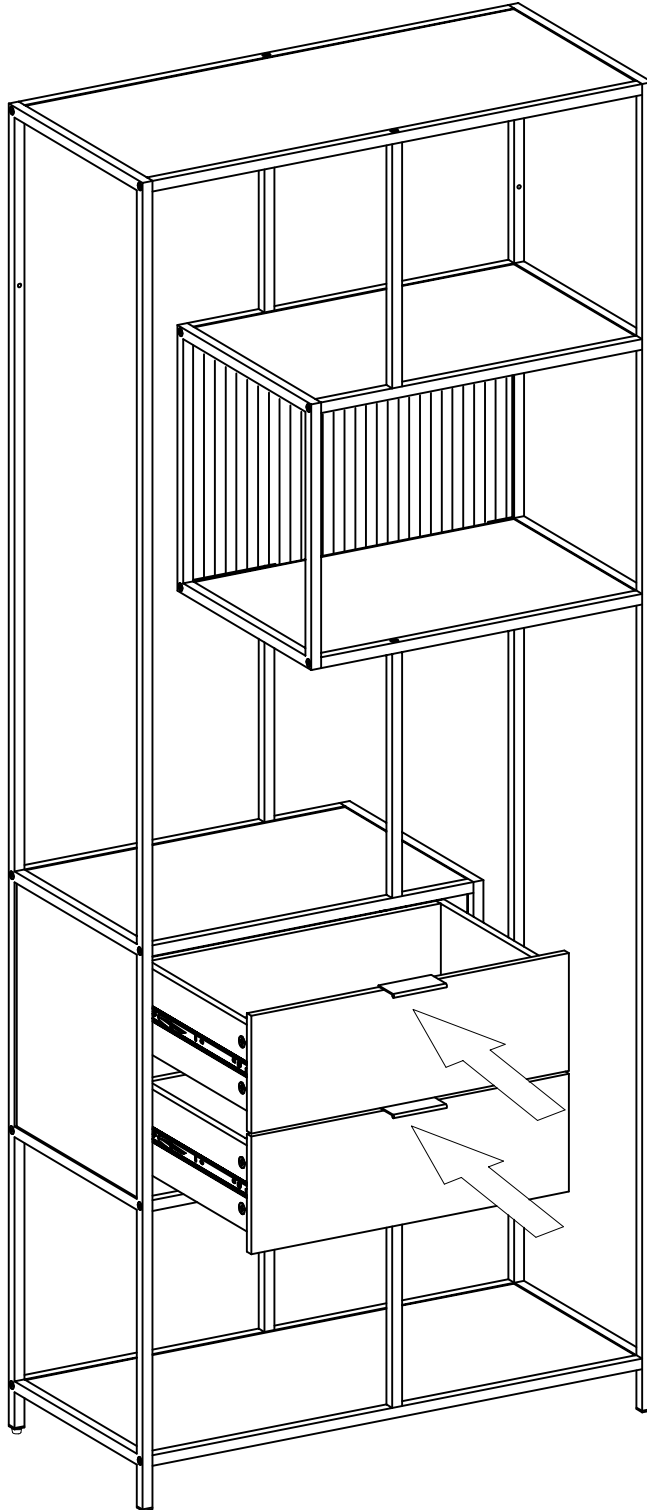


27

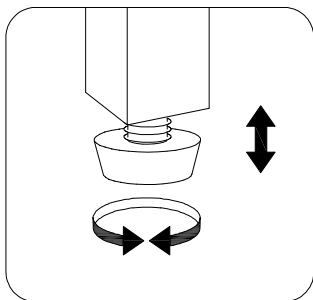
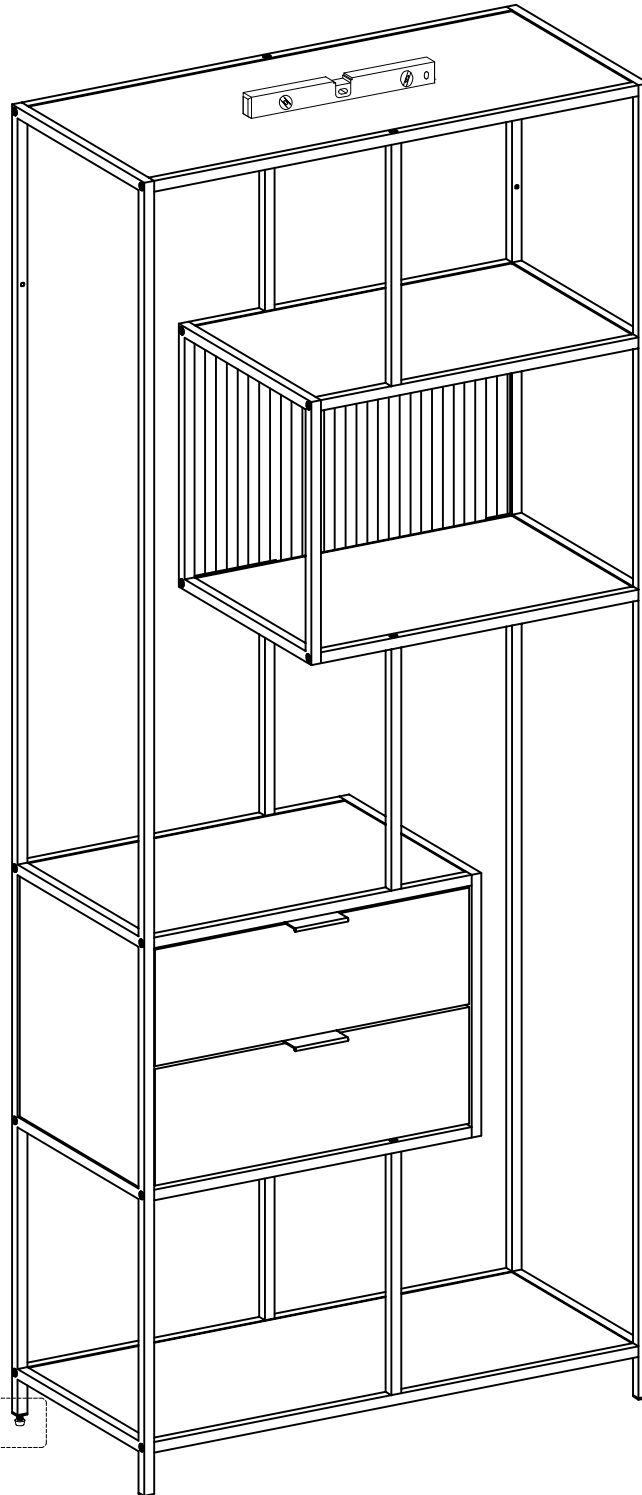
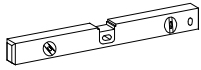
E x 4  Ø3.5x12 mm	J x 8  Ø20 mm	L x 2  80x32x18 mm
--	--	---



x2



29



30

