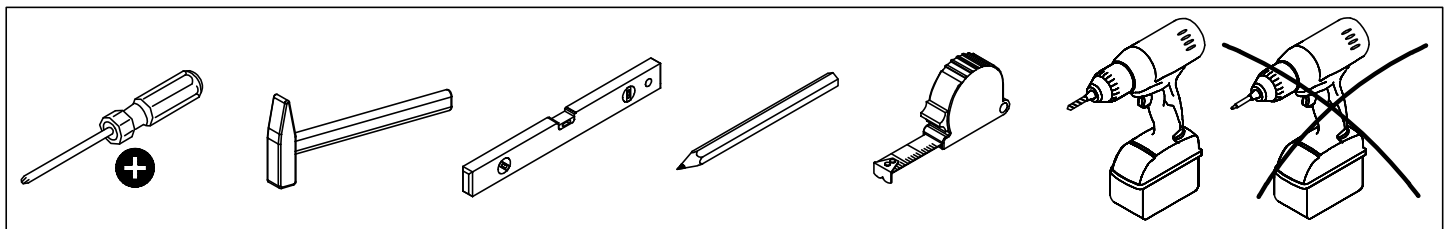
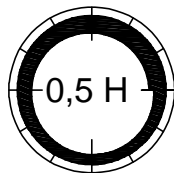
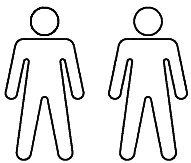
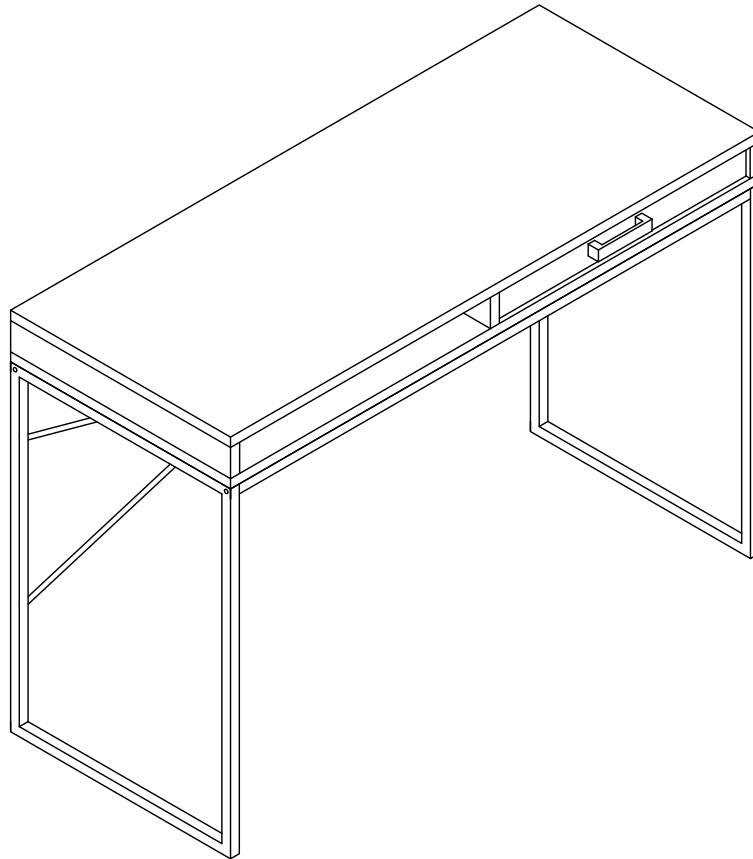
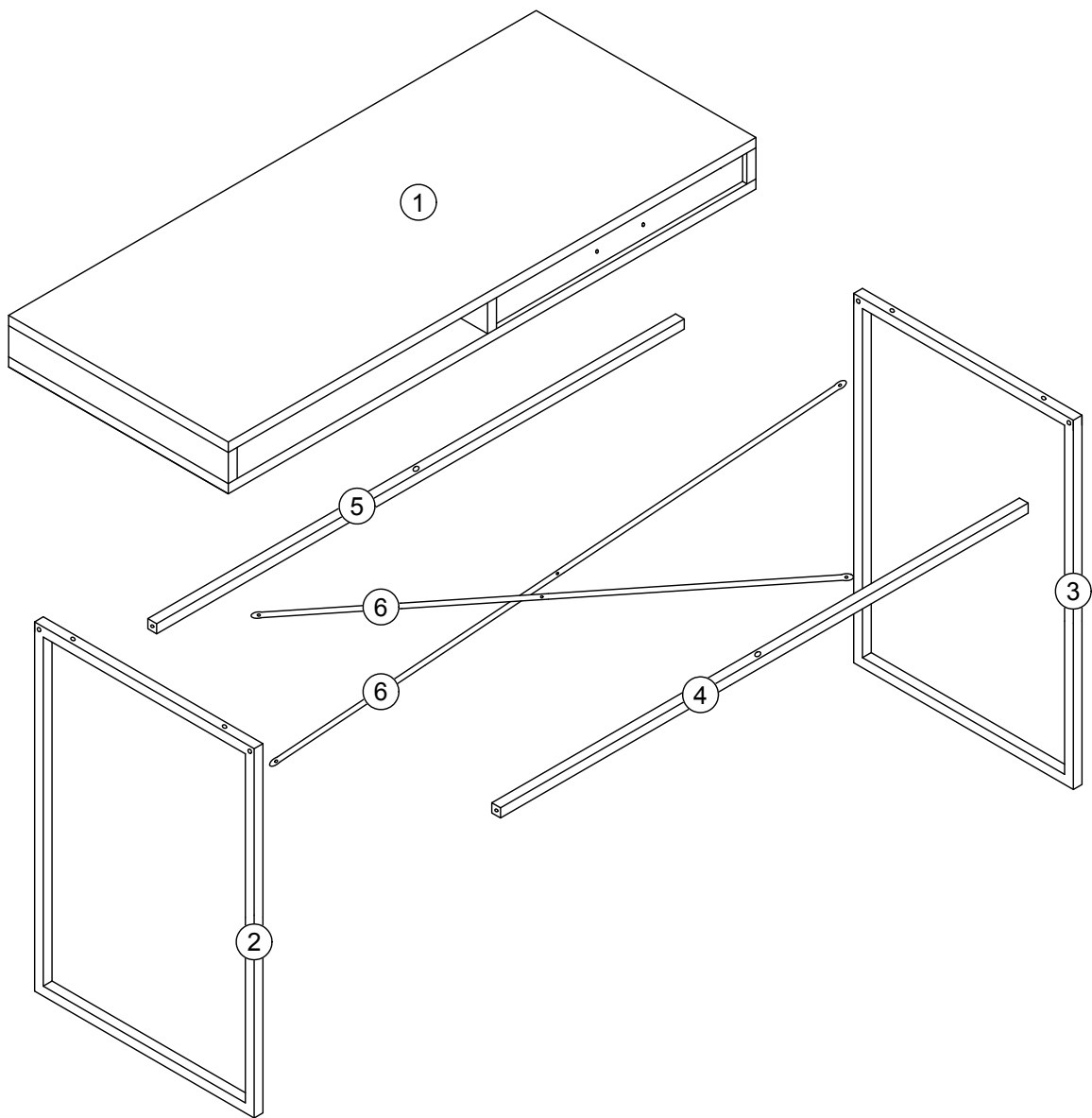
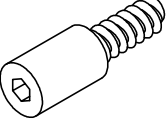
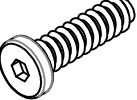

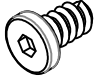
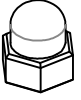
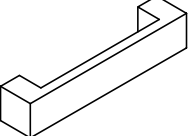
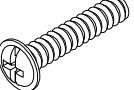
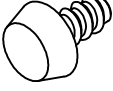


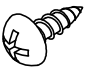



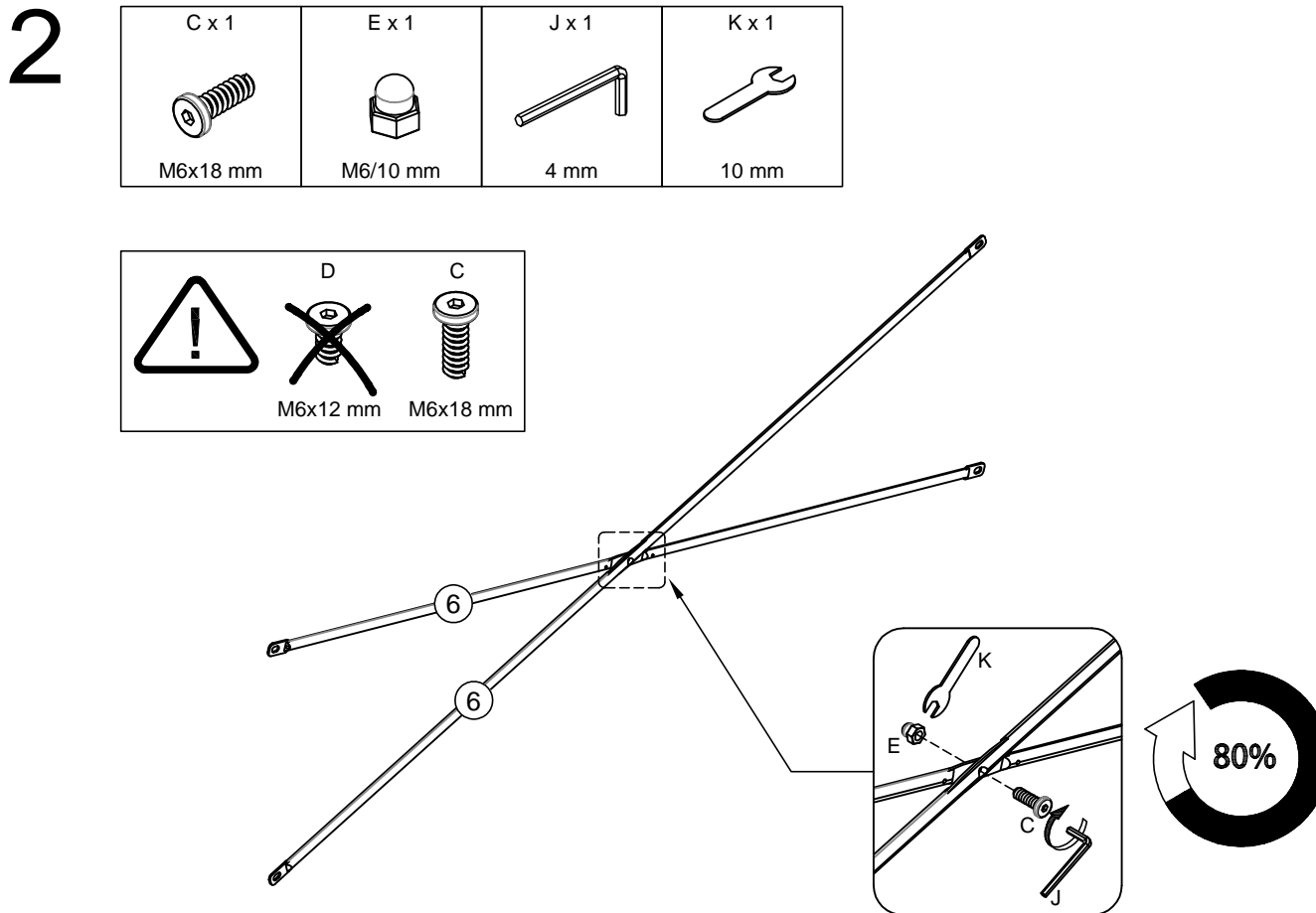
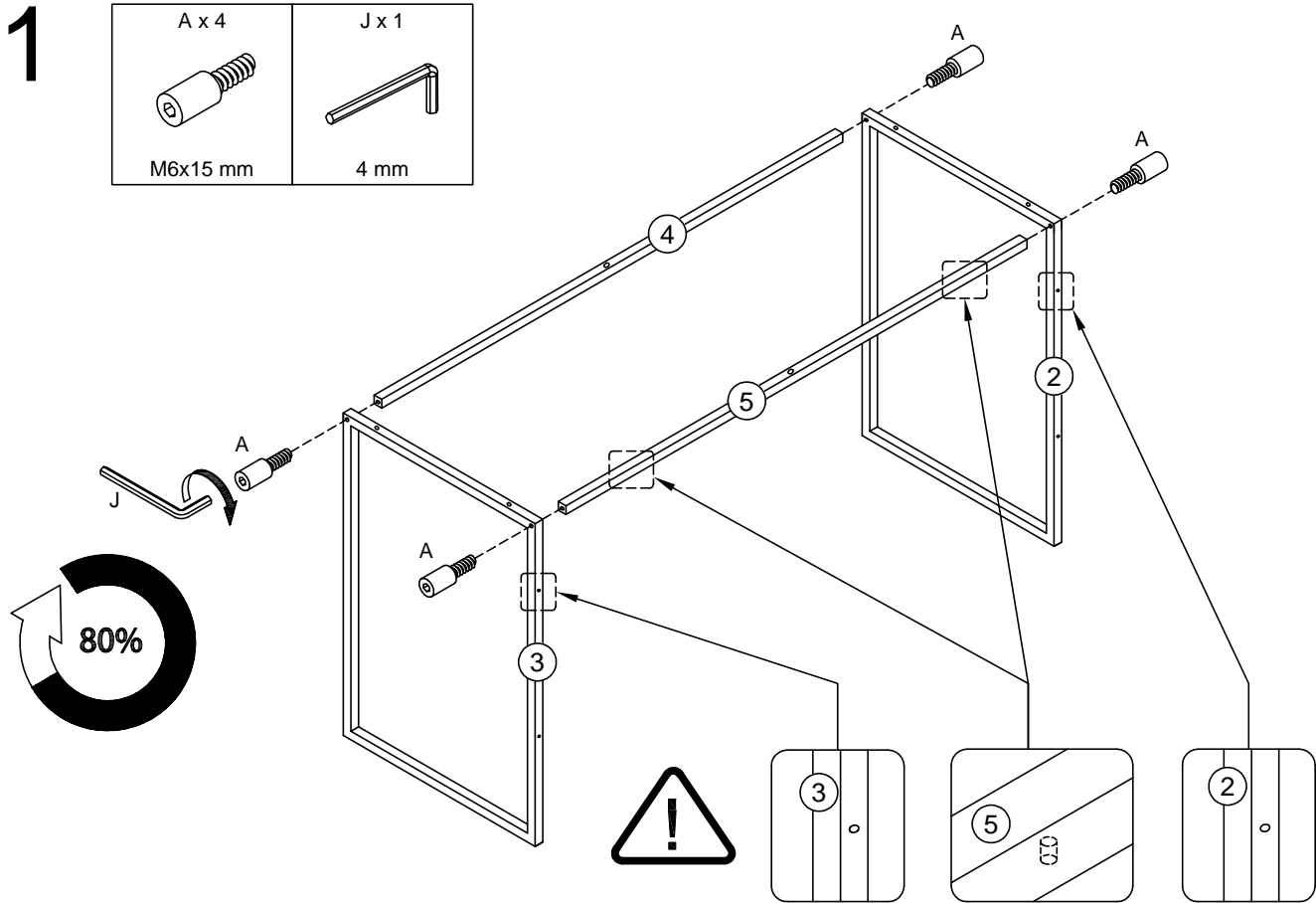
SEAFORD





			✓
①	1	1100x450x90	
②	1	655x440x16	
③	1	655x440x16	
④	1	1058x16x16	
⑤	1	1058x16x16	
⑥	2	Ø10x1135	

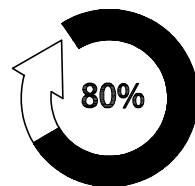
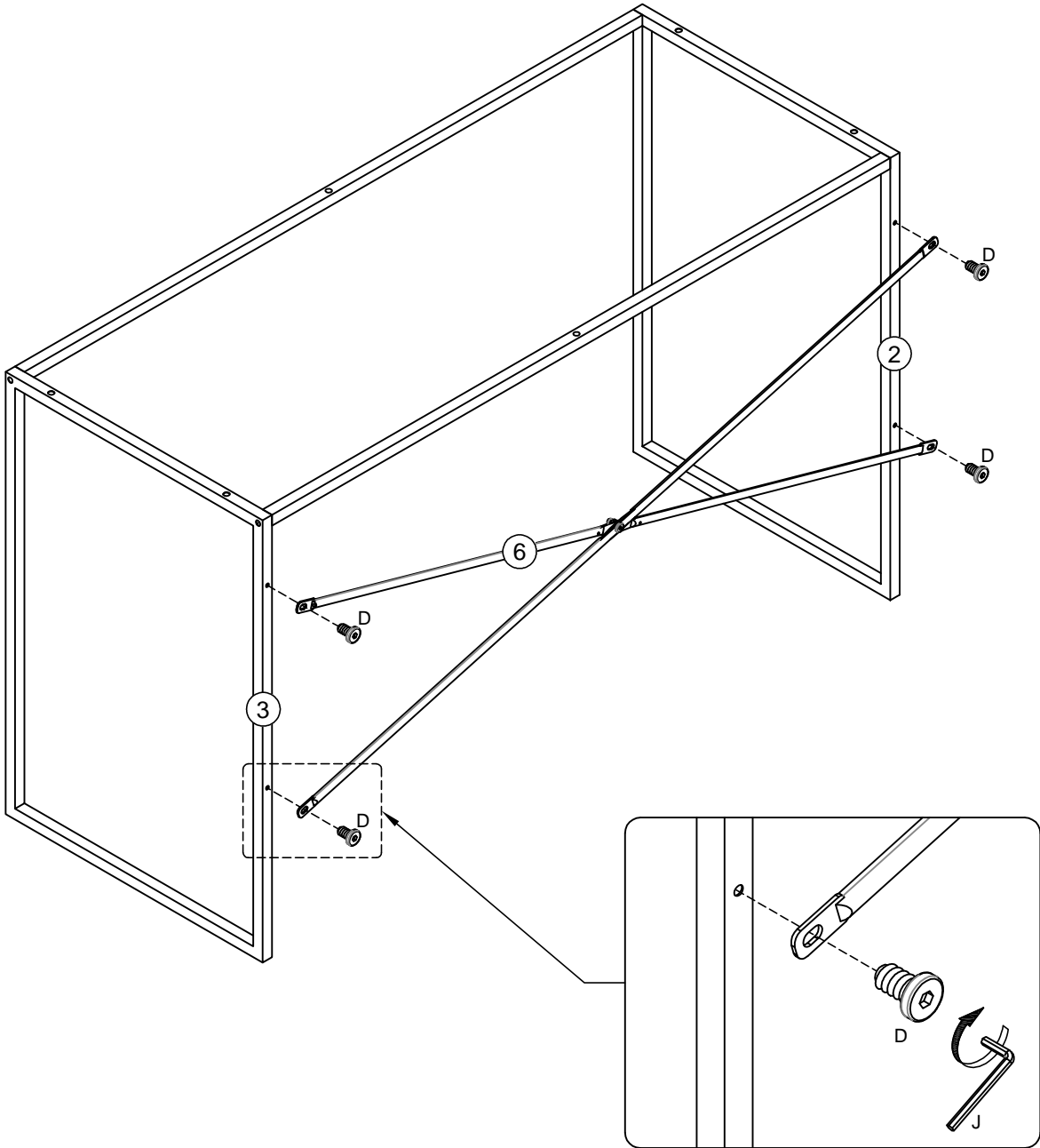


<p>A x 4</p>  <p>M6x15 mm</p>	<p>B x 6</p>  <p>M6x25 mm</p>	<p>C x 1</p>  <p>M6x18 mm</p>	<p>D x 4</p>  <p>M6x12 mm</p>	<p>E x 1</p>  <p>M6/10 mm</p>
<p>F x 1</p>  <p>117x25x17 mm</p>	<p>G x 2</p>  <p>M4x18 mm</p>	<p>H x 4</p>  <p>M6/Ø13x12/6 mm</p>	<p>J x 1</p>  <p>4 mm</p>	<p>K x 1</p>  <p>10 mm</p>
<p>L x 2</p>  <p>Ø4x14mm</p>	<p>M x 2</p>  <p>75x25x15 mm</p>			

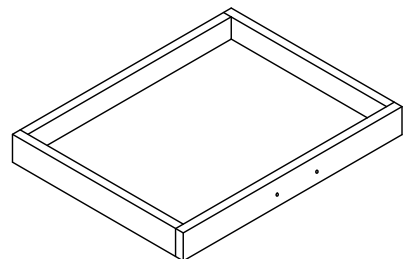
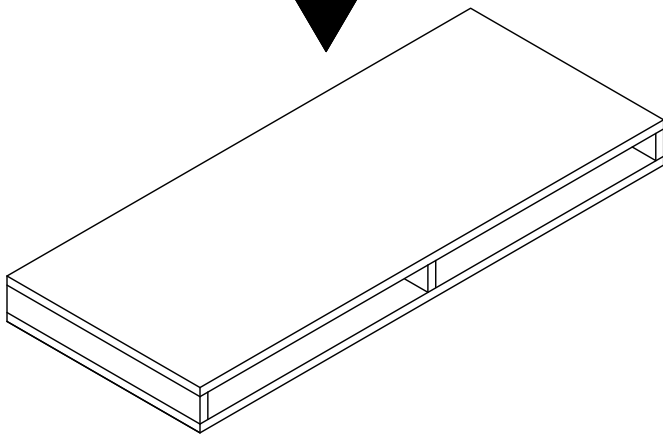
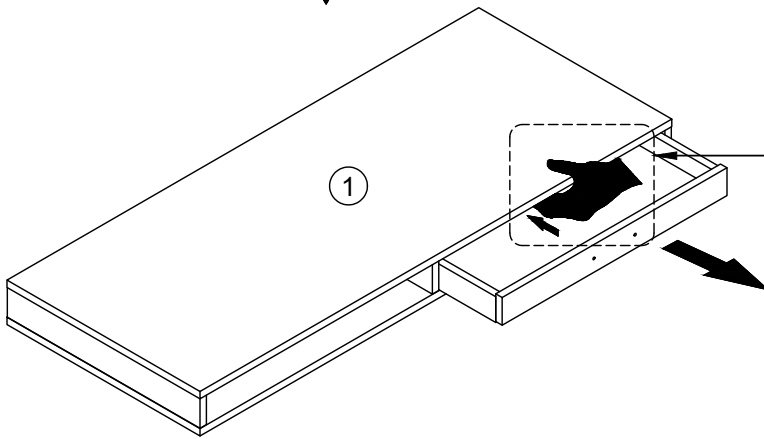
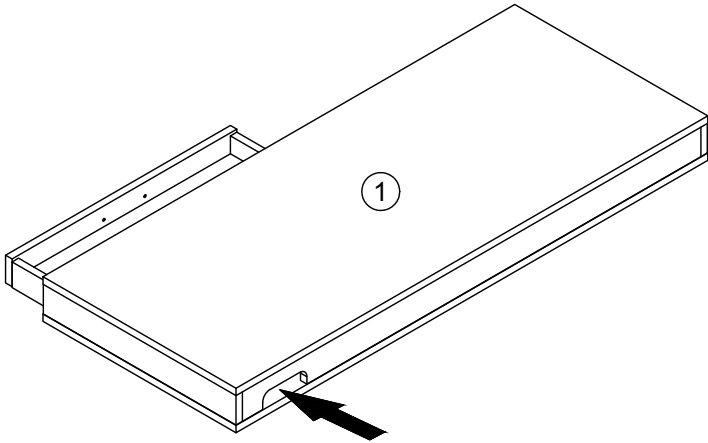


3

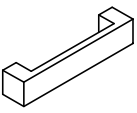

D x 4  M6x12 mm	J x 1  4 mm
--	--

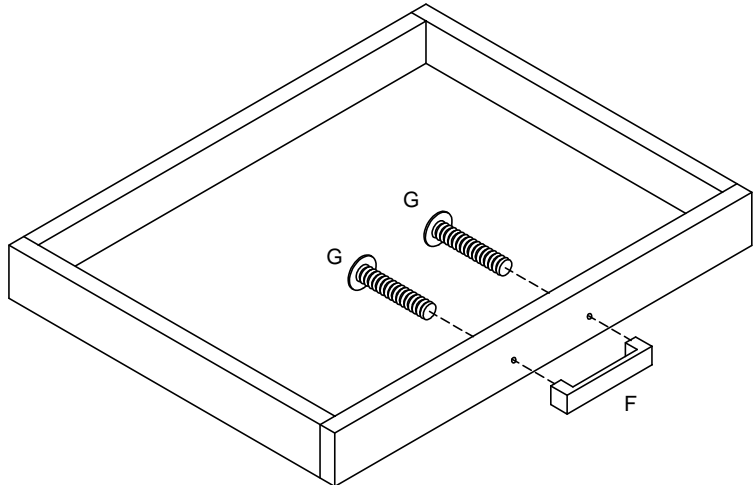
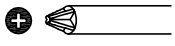


4






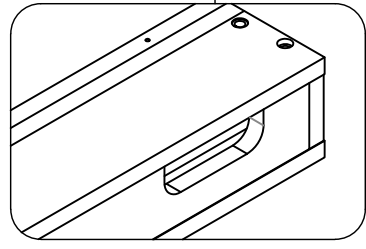
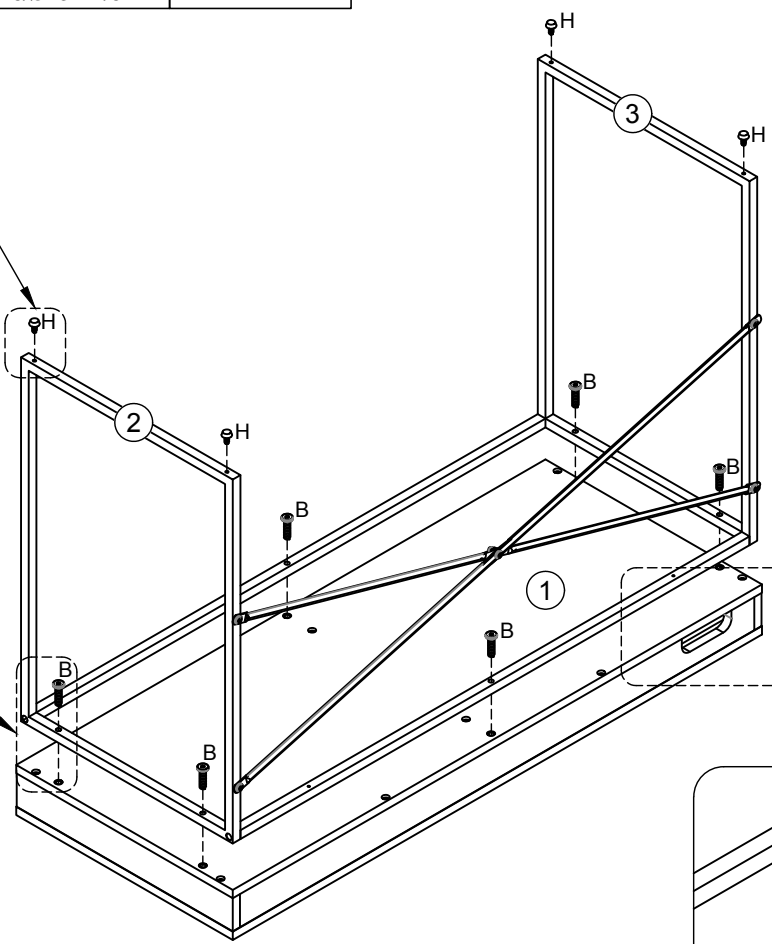
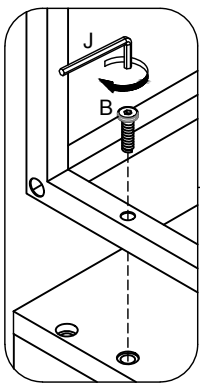
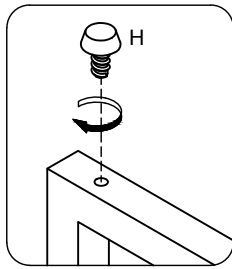
5

F x 1	G x 2
	
117x25x17 mm	M4x18 mm

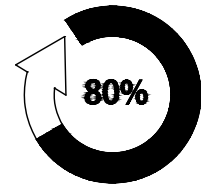
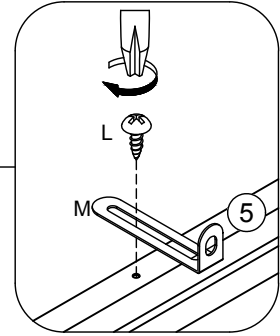
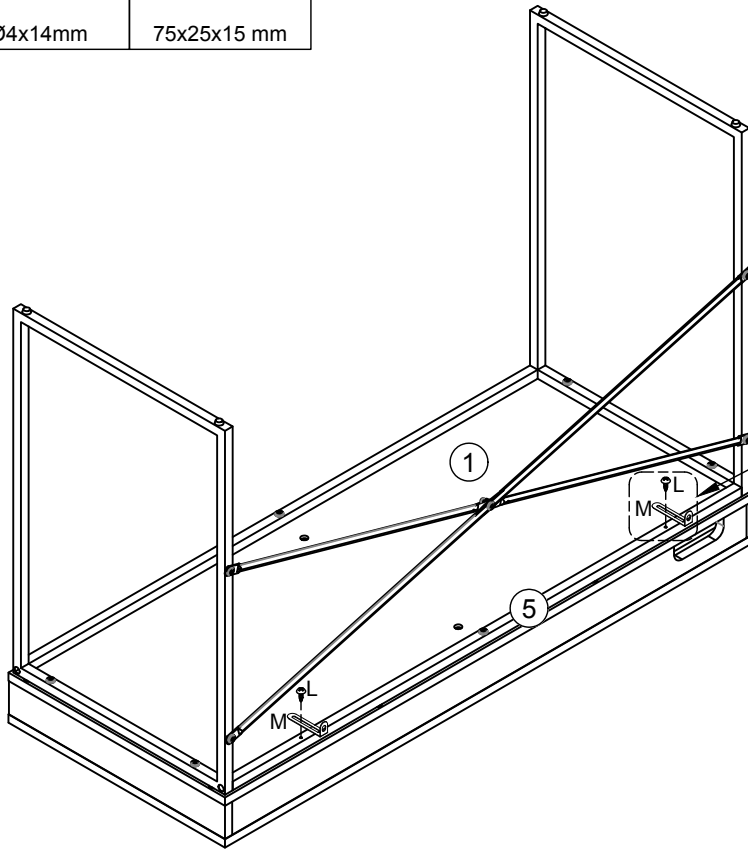
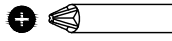
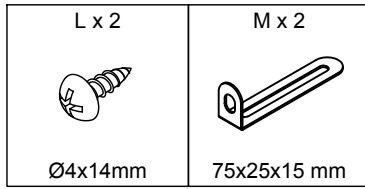


6

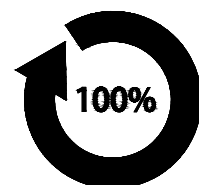
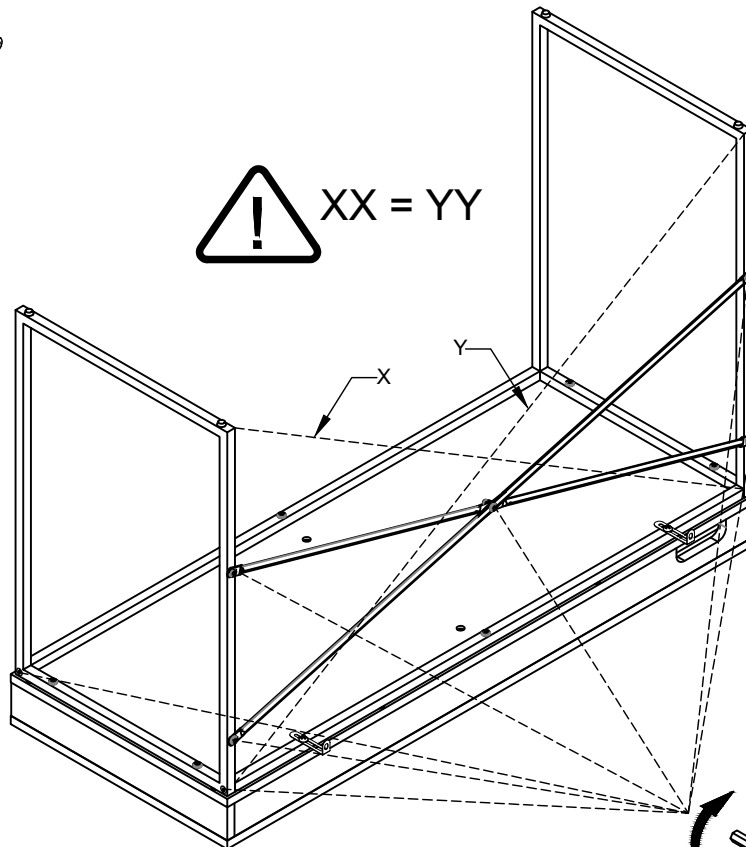
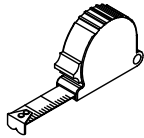
B x 6	H x 4	J x 1
		
M6x25 mm	M6/Ø13x12/6 mm	4 mm



7

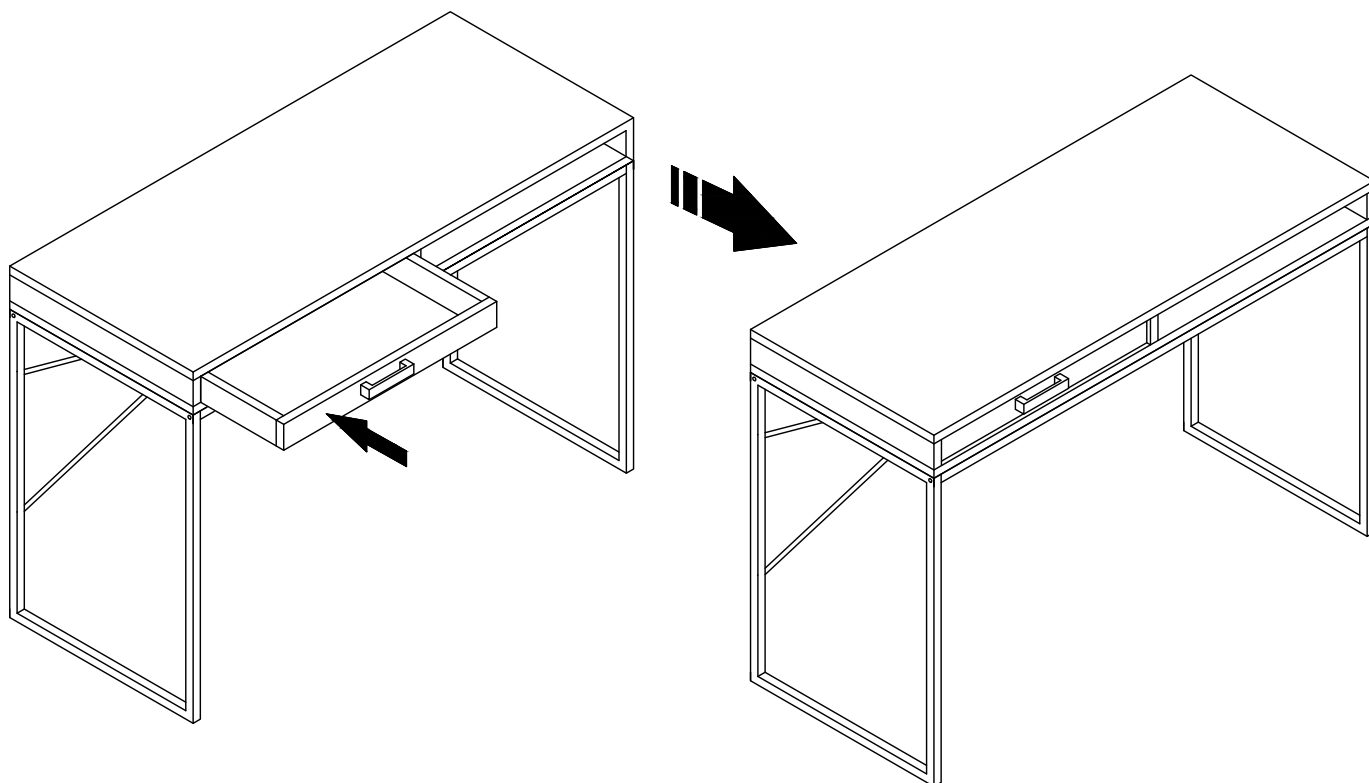
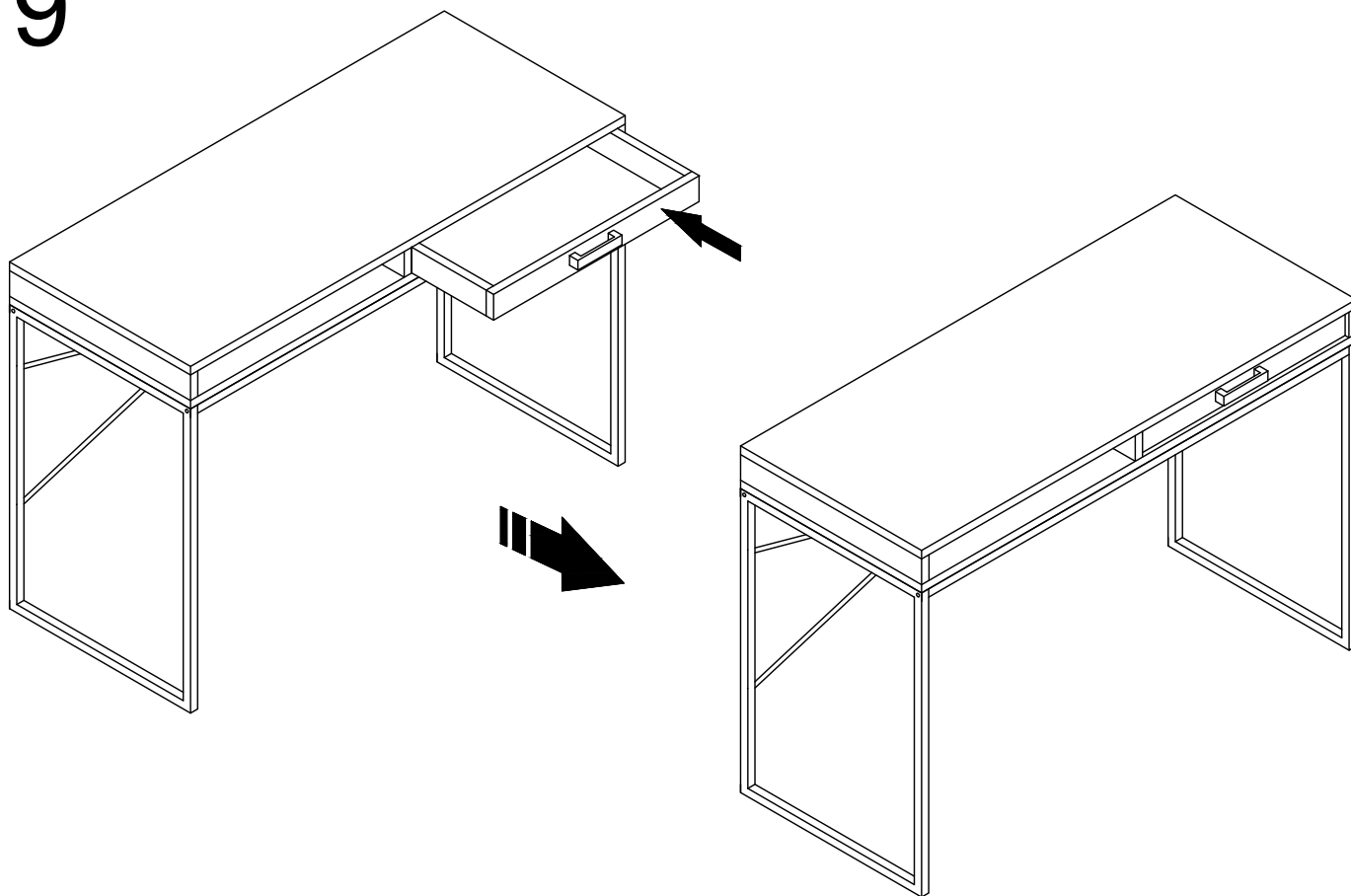


8

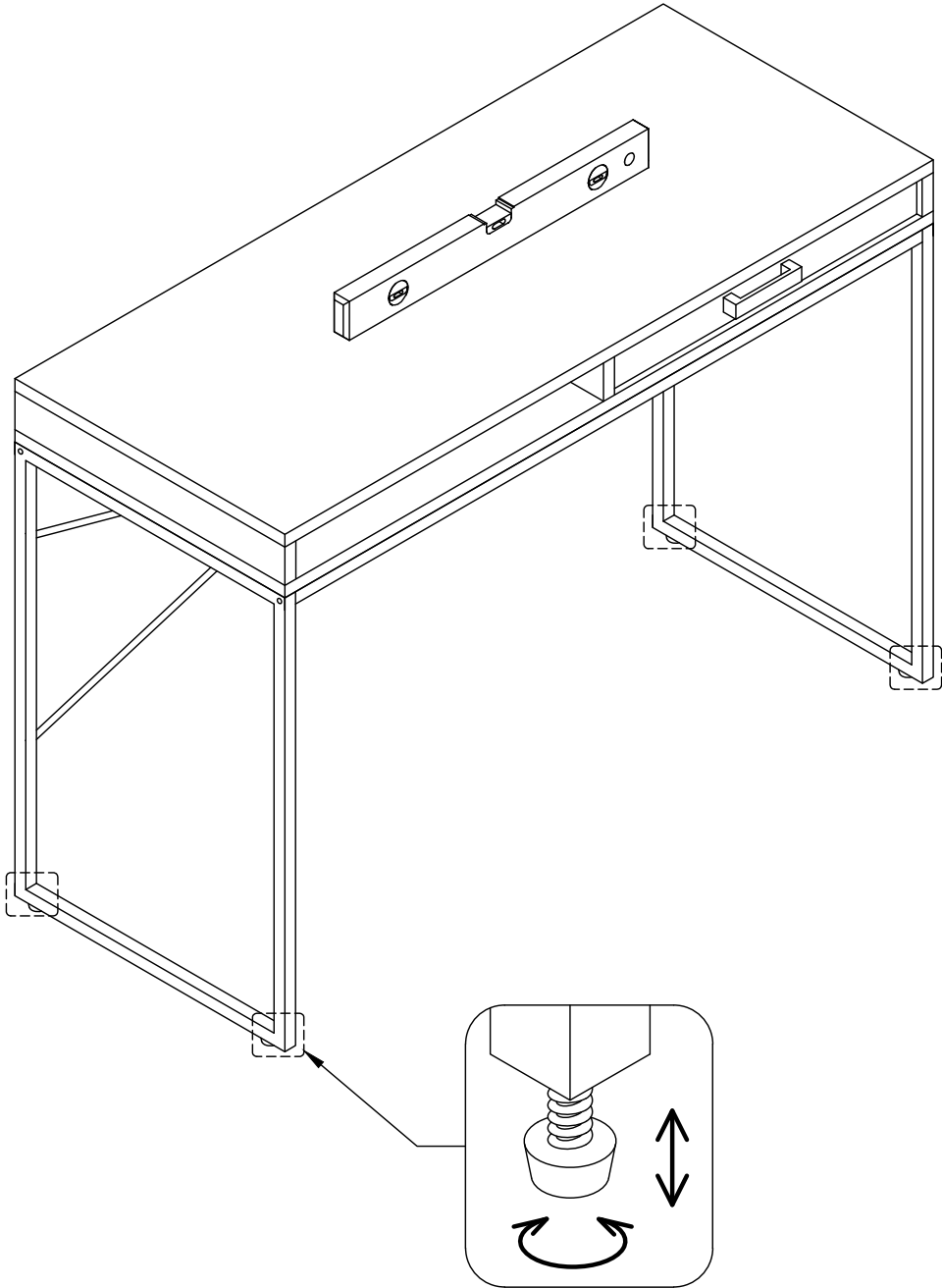
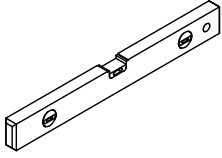


Ax4
Cx1
Dx4

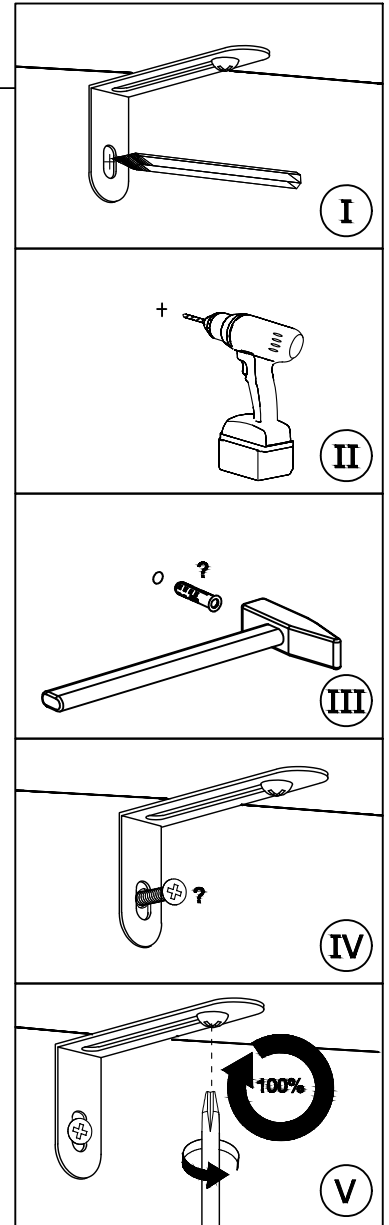
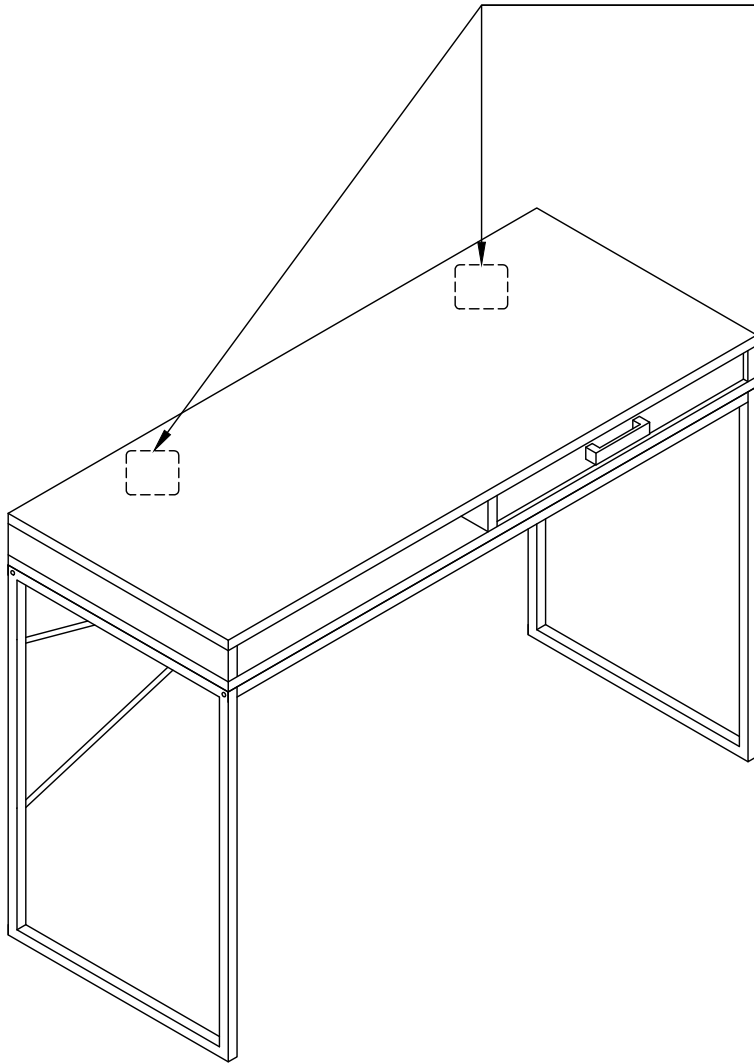
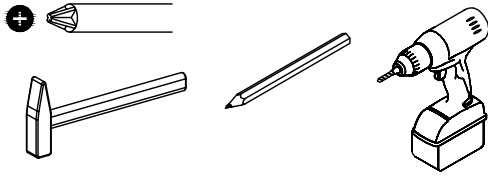
9



10



11



12

