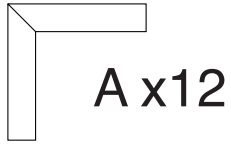
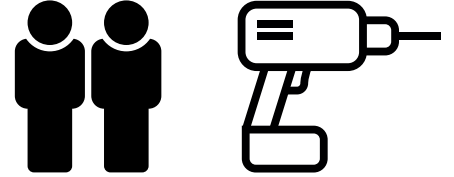
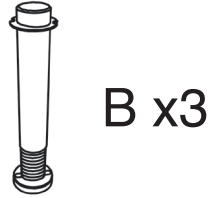


Mamaia

A

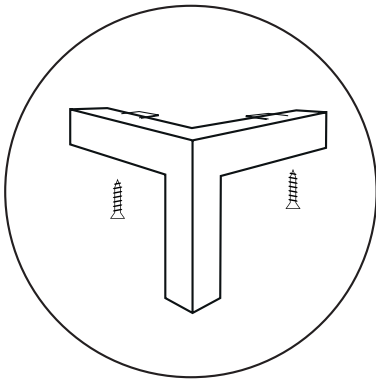
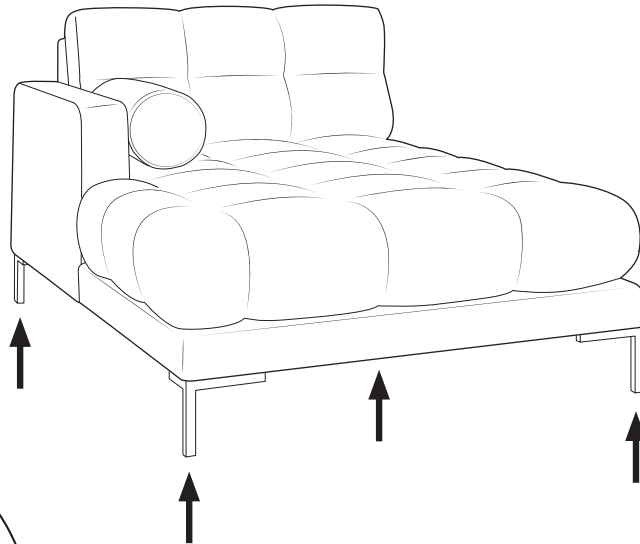


B

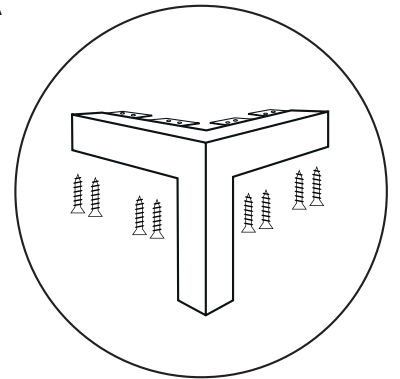


* the installation method for a right and left-sided sofa is analogues.

part A

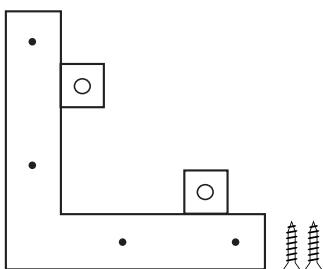


option1

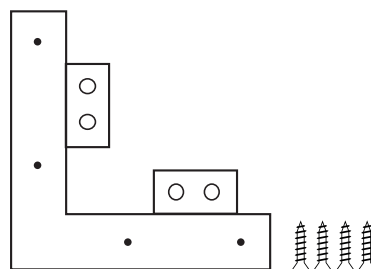


option2

option1



option2



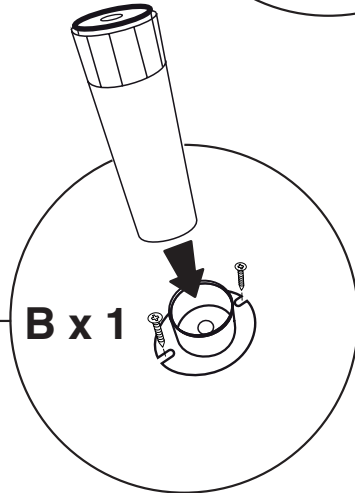
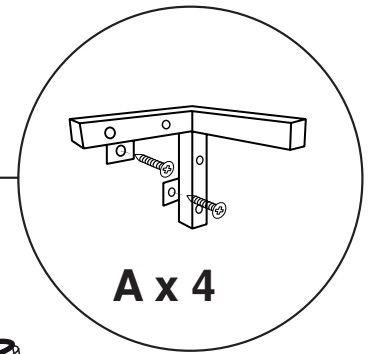
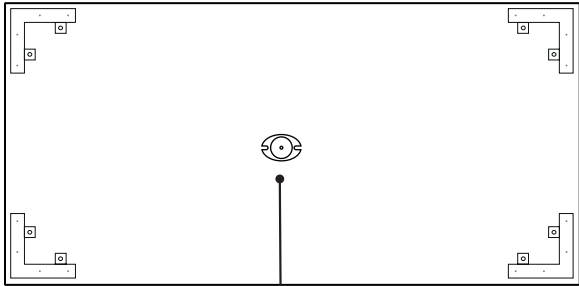
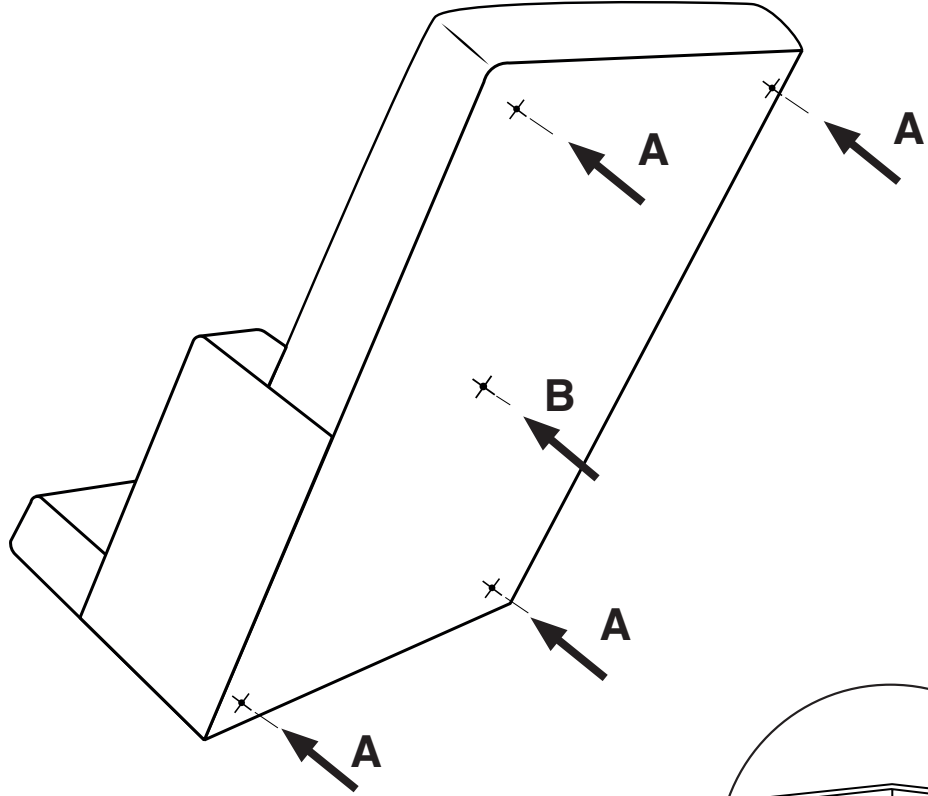
ATTENTION!

Legs should be mounted depending on the batch. Check the legs in your kit and mount them as instructed.

1

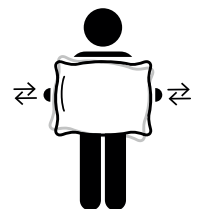
Mamaia

part A

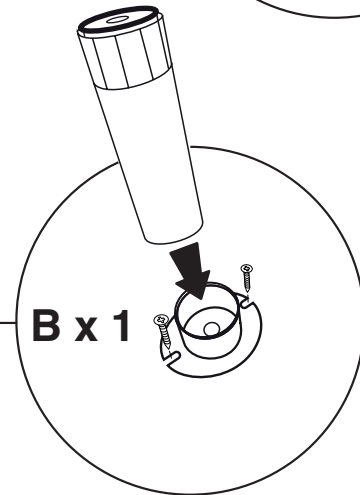
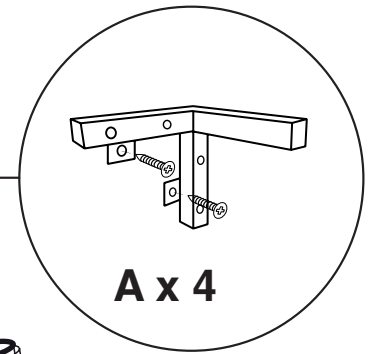
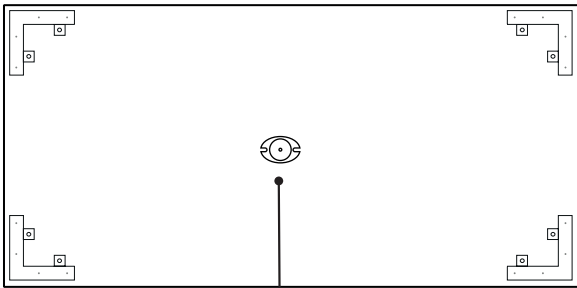
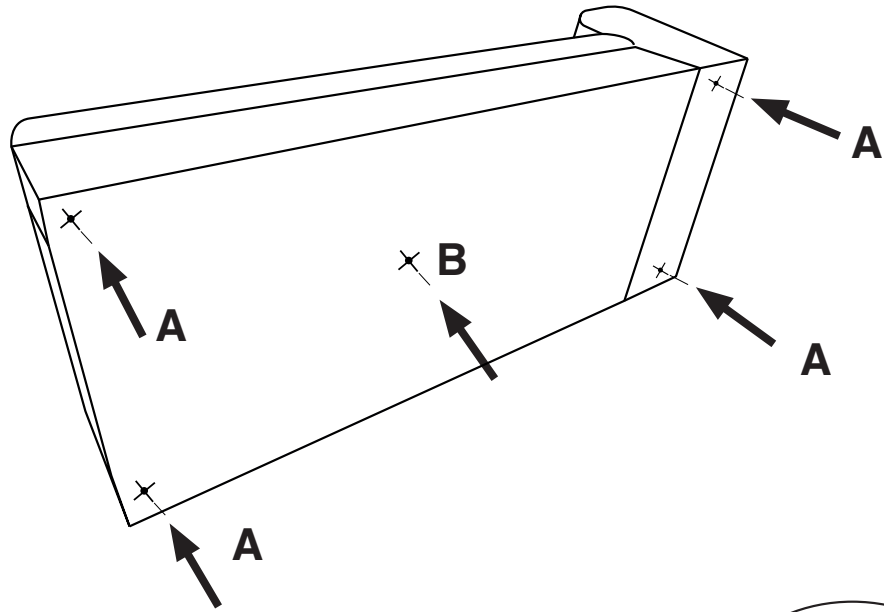


2 of 5

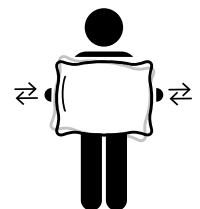
SHAPE UP ALL PILLOWS AND CUSHIONS!



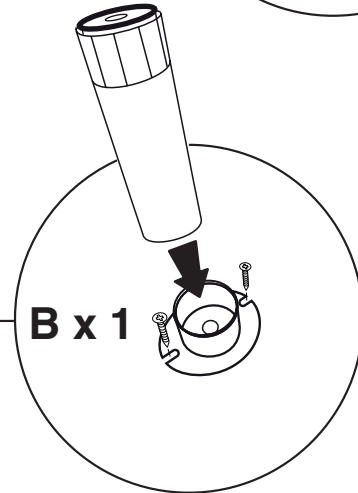
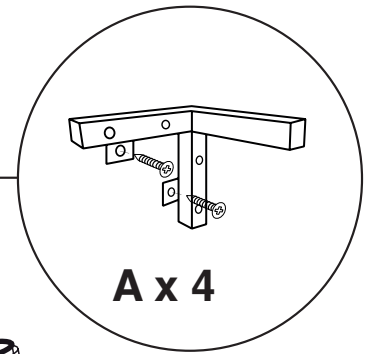
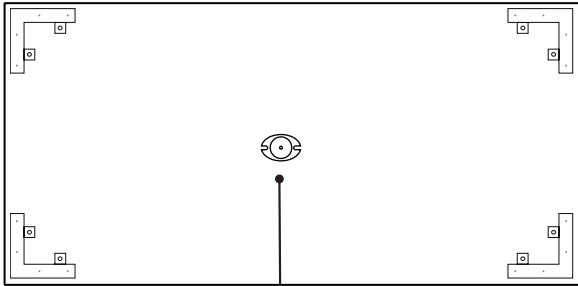
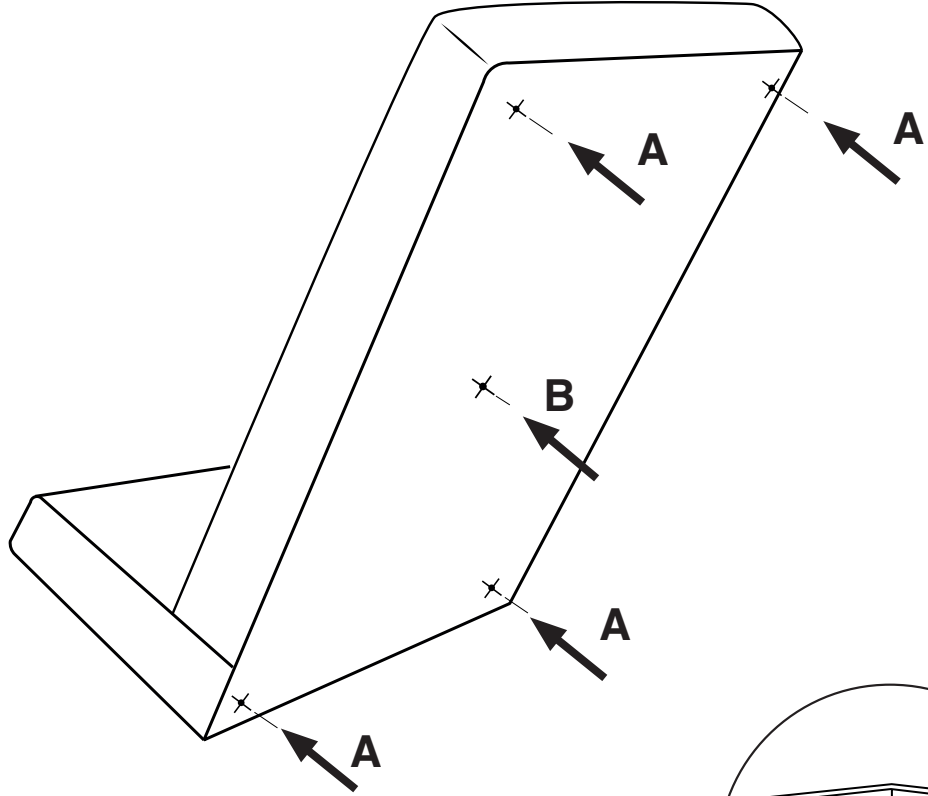
part B



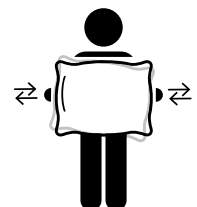
SHAPE UP ALL PILLOWS AND CUSHIONS!



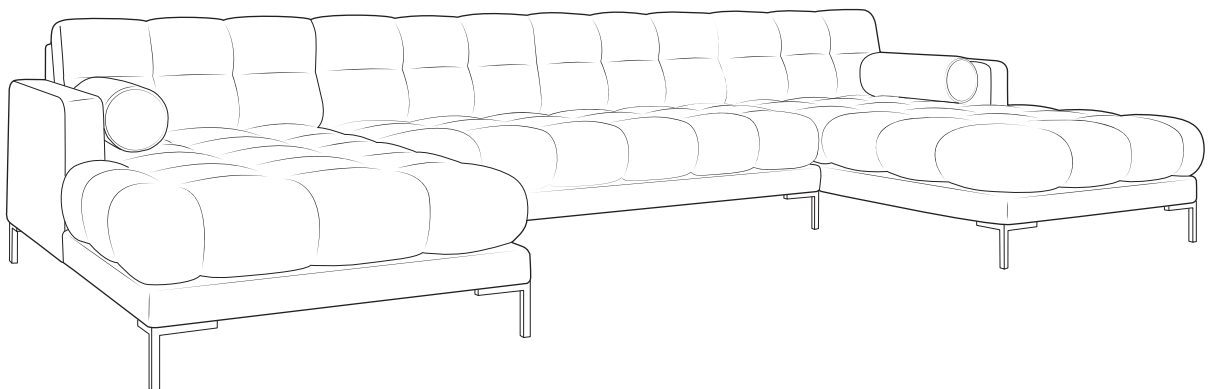
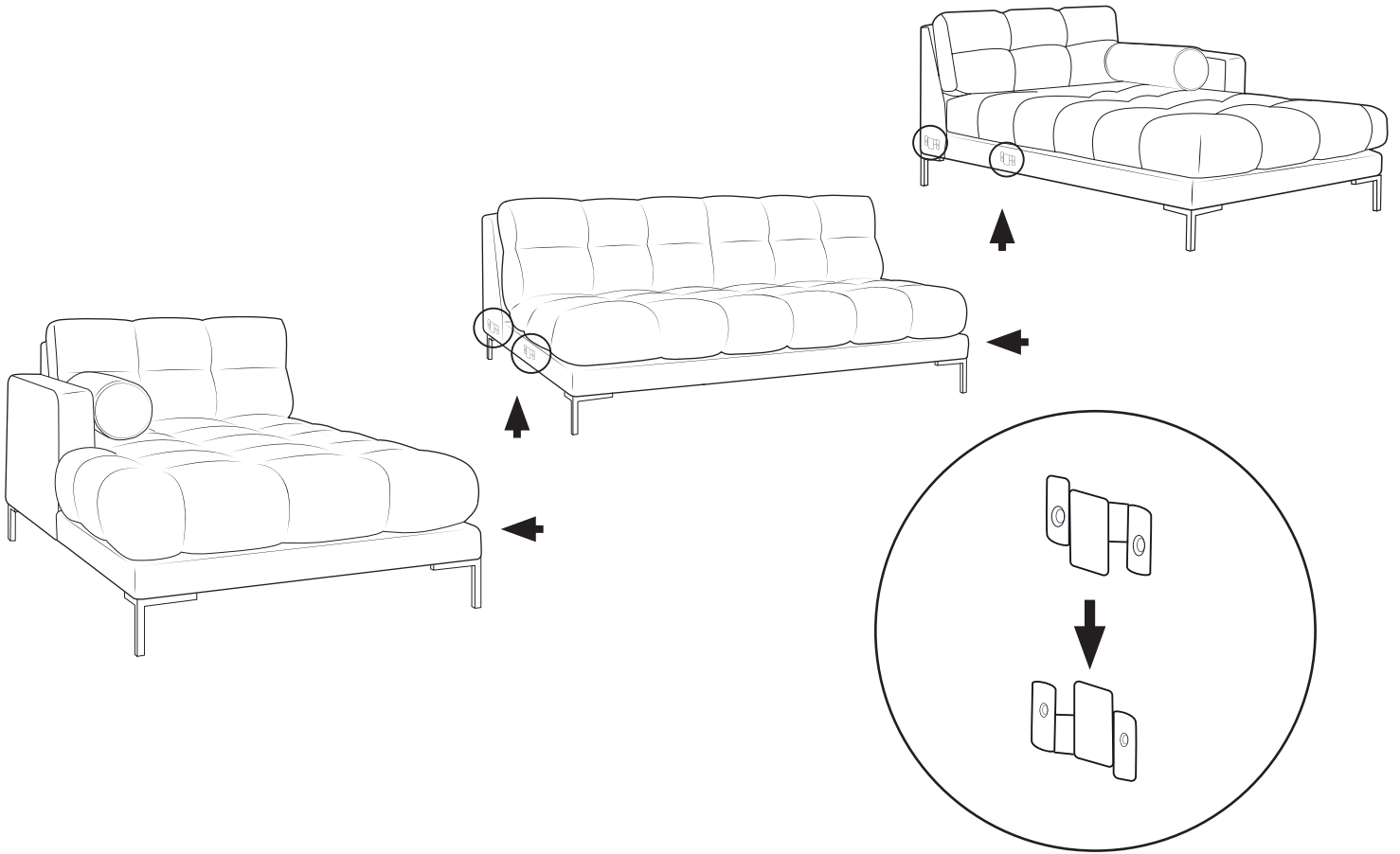
part C



SHAPE UP ALL PILLOWS AND CUSHIONS!



part A + B + C



SHAPE UP ALL PILLOWS AND CUSHIONS!

