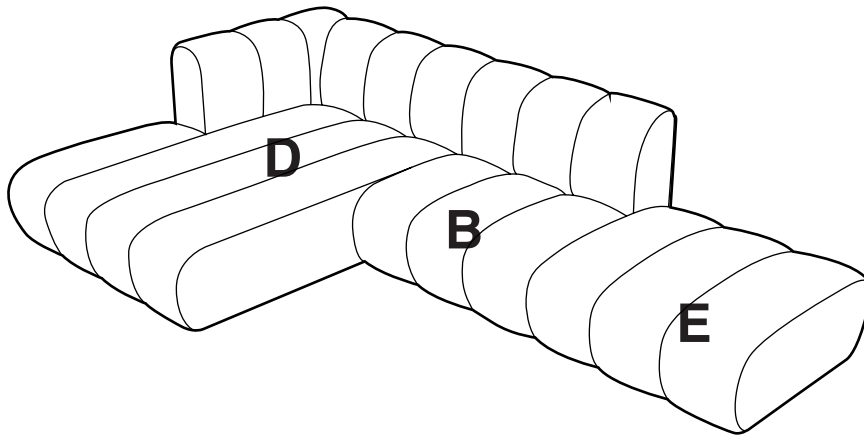
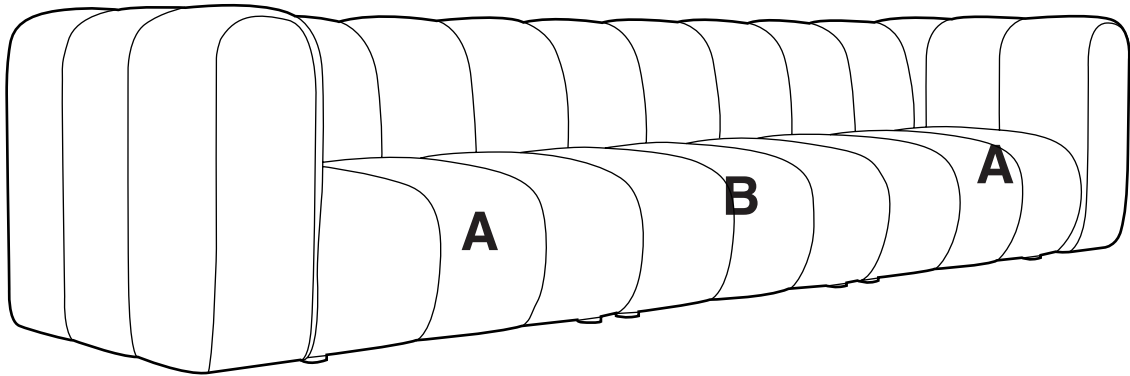
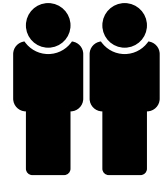


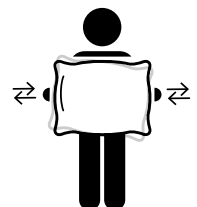
Lupine

sofa

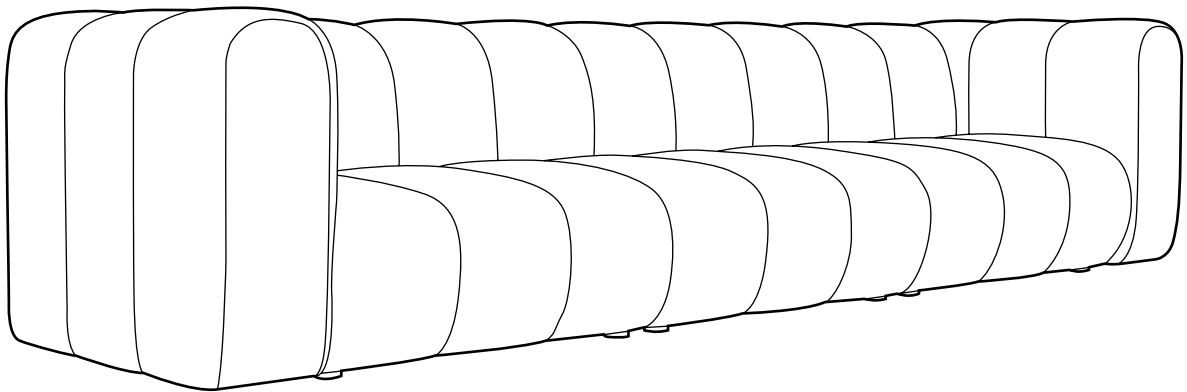
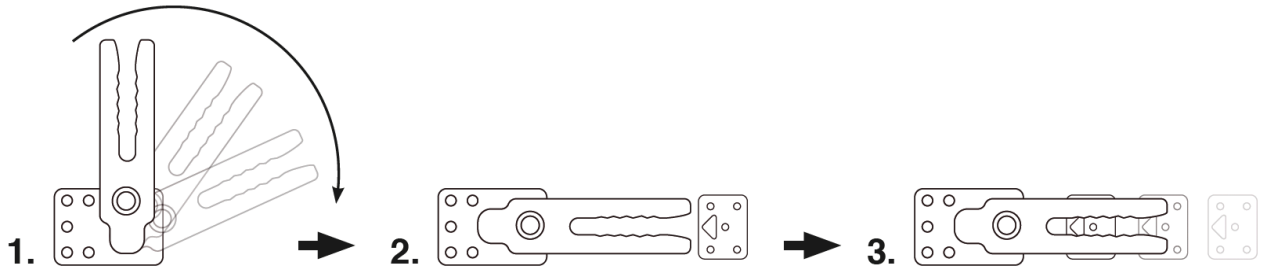
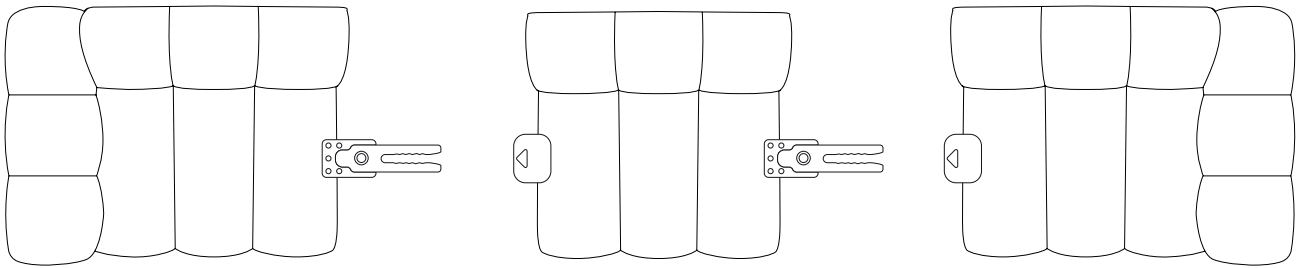
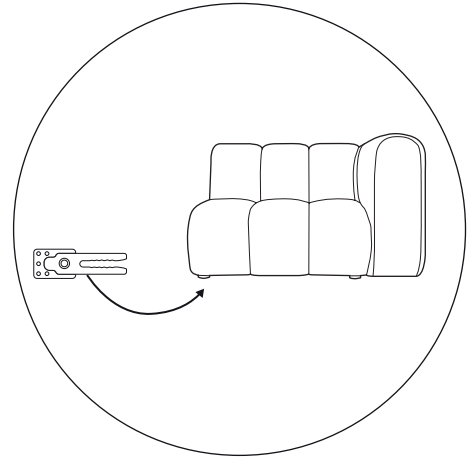
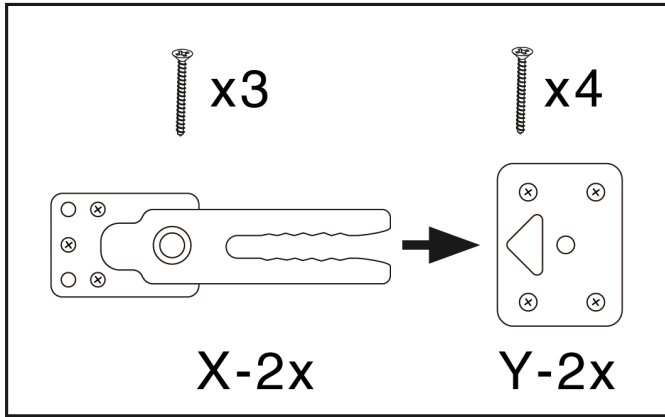


1 of 8

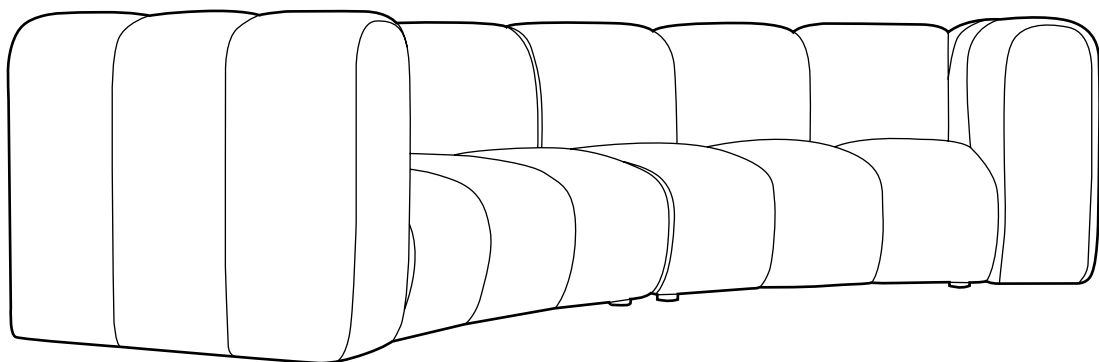
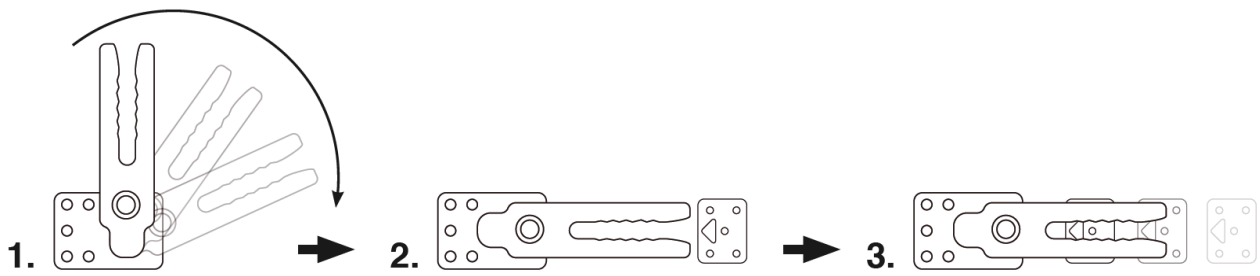
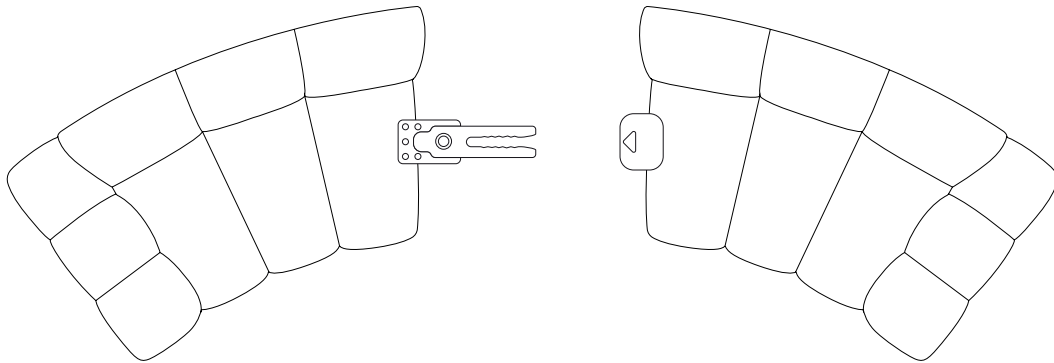
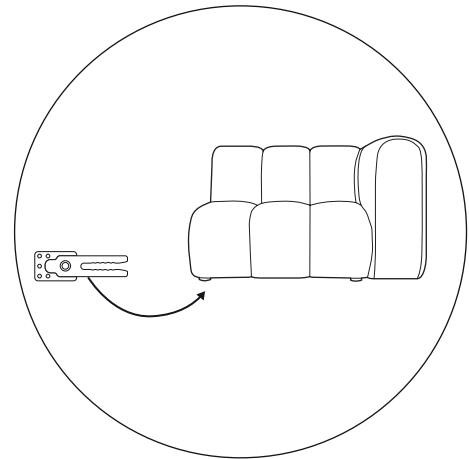
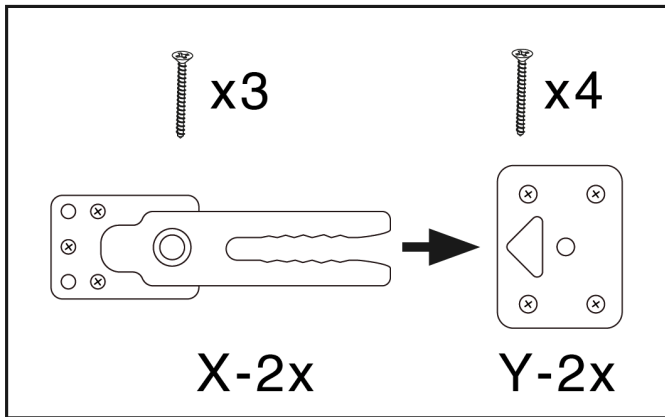
SHAPE UP ALL PILLOWS AND CUSHIONS!



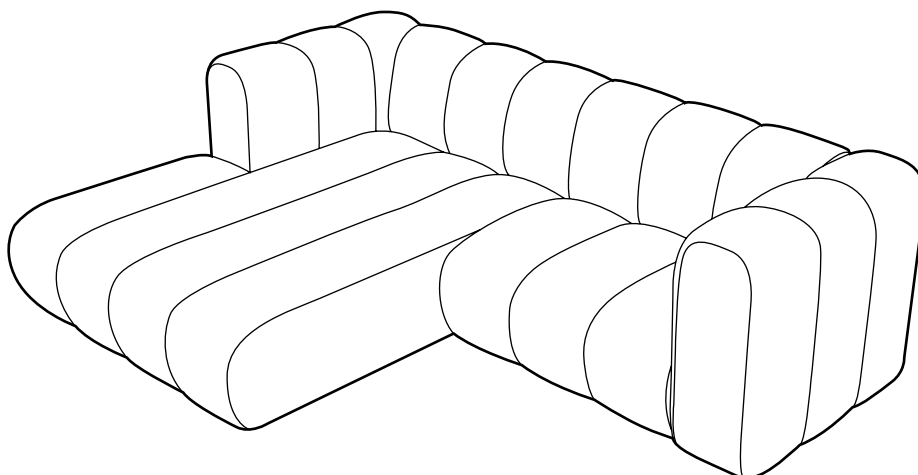
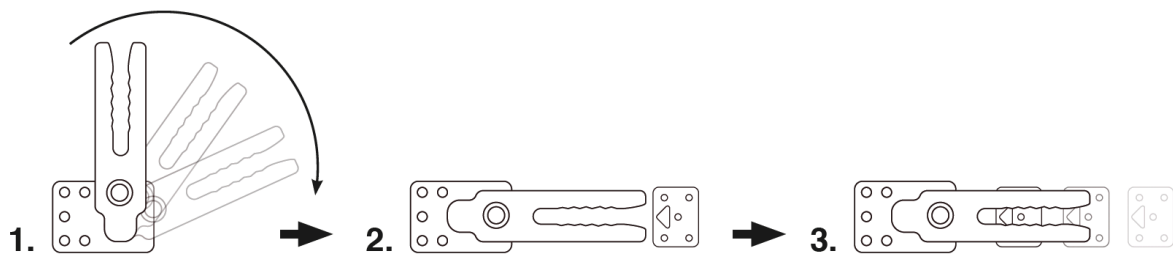
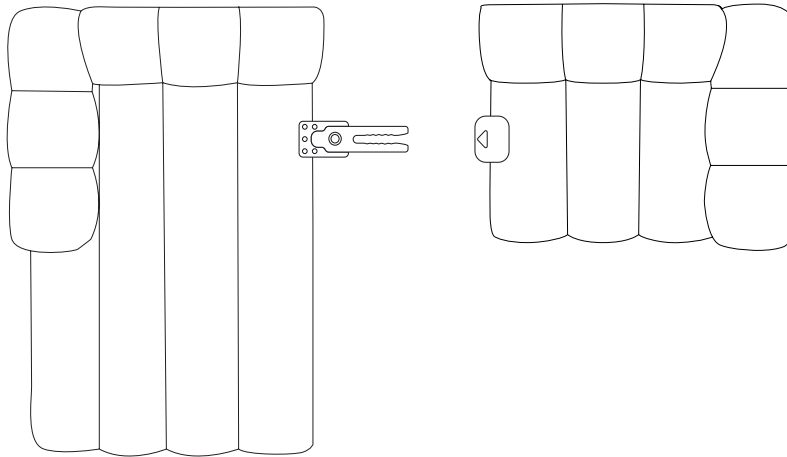
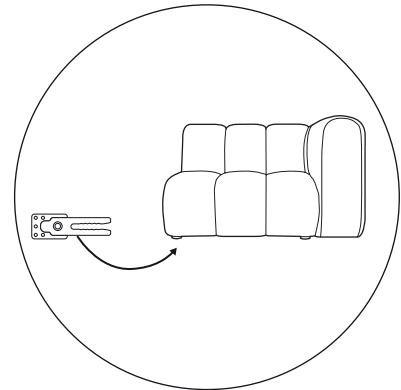
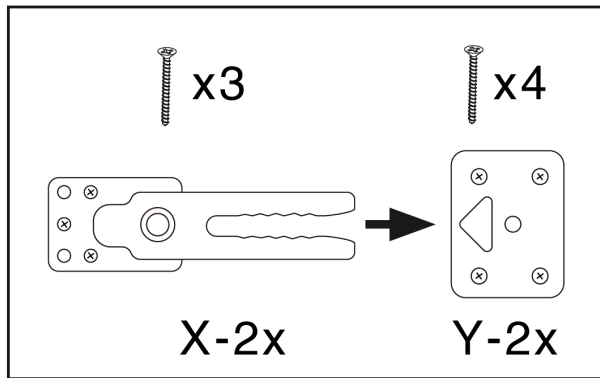
1: 2x A + B



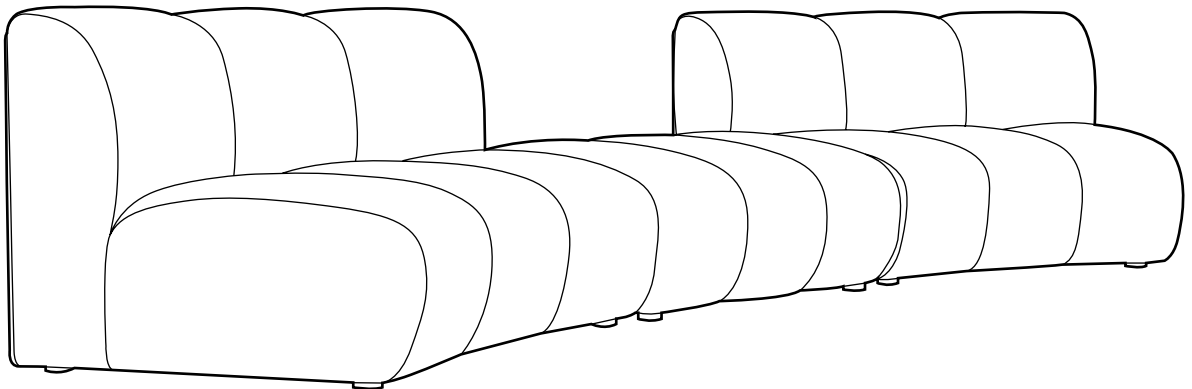
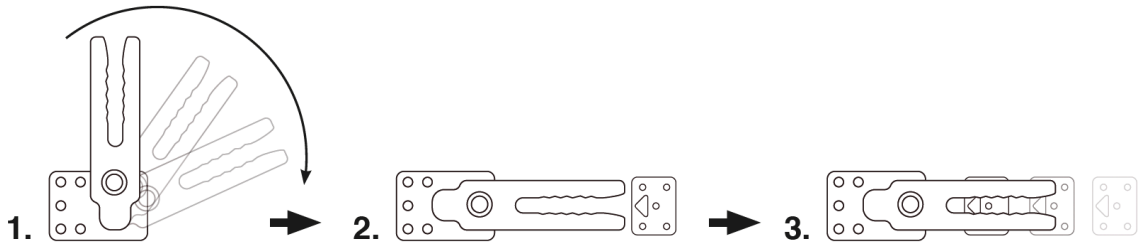
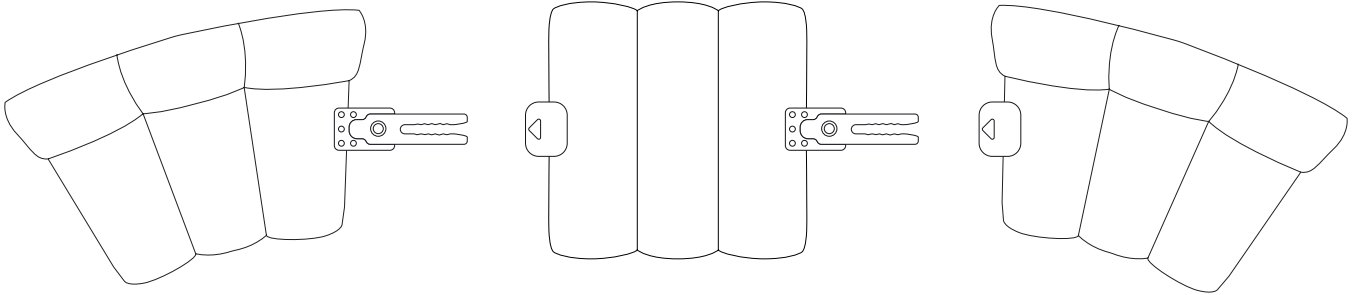
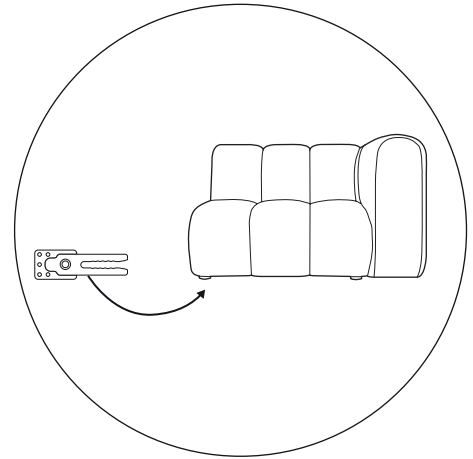
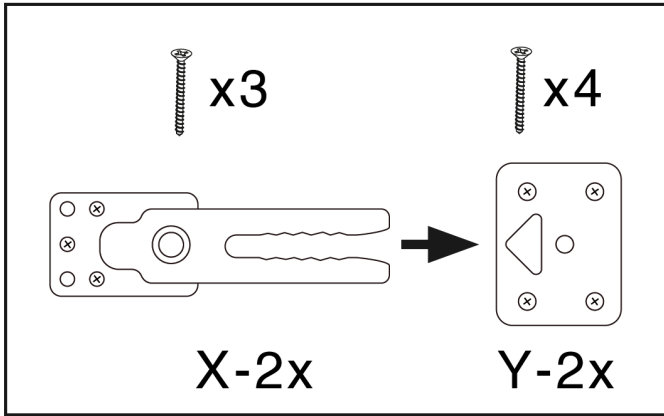
2: 2x C



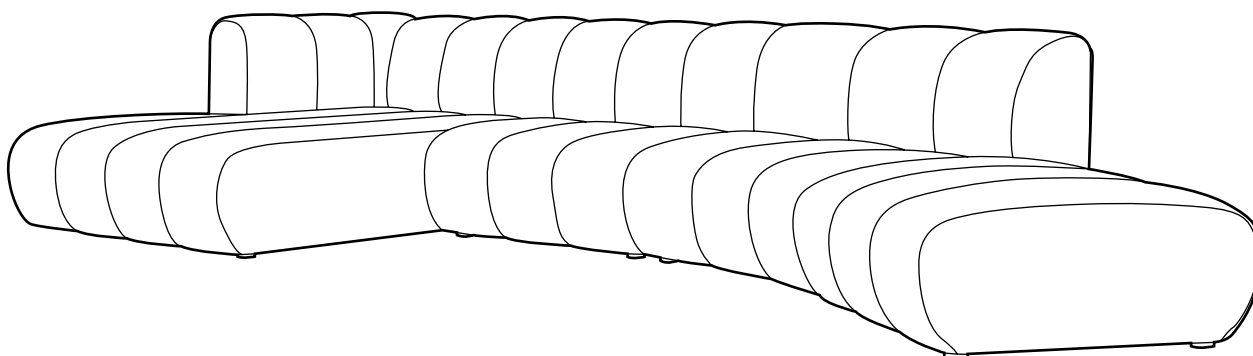
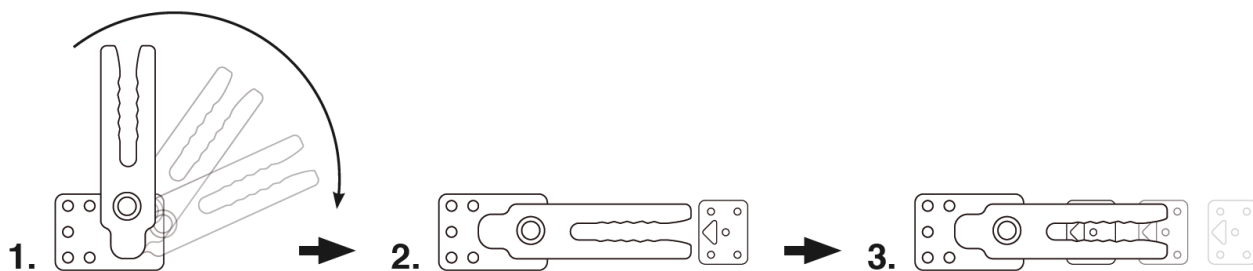
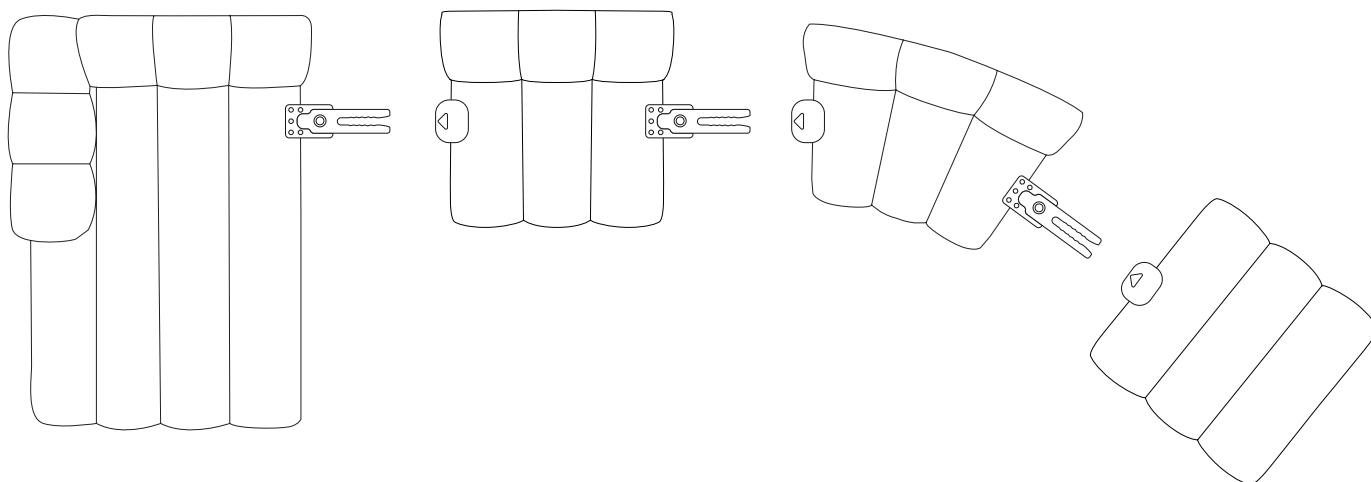
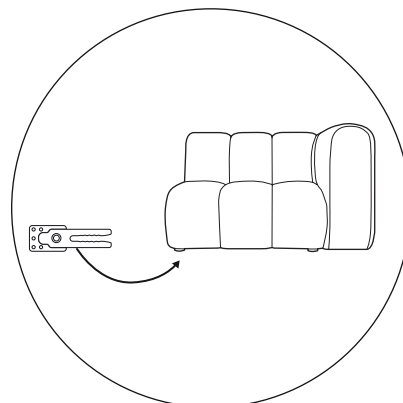
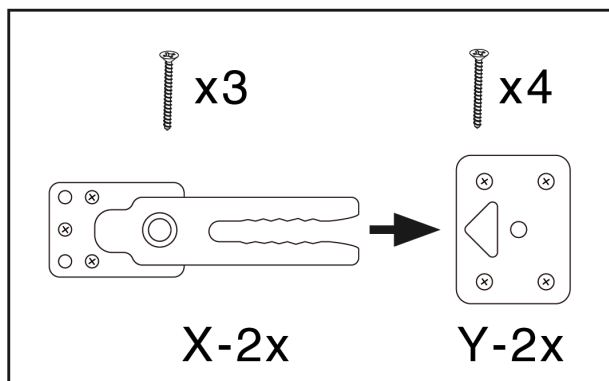
3: A + D



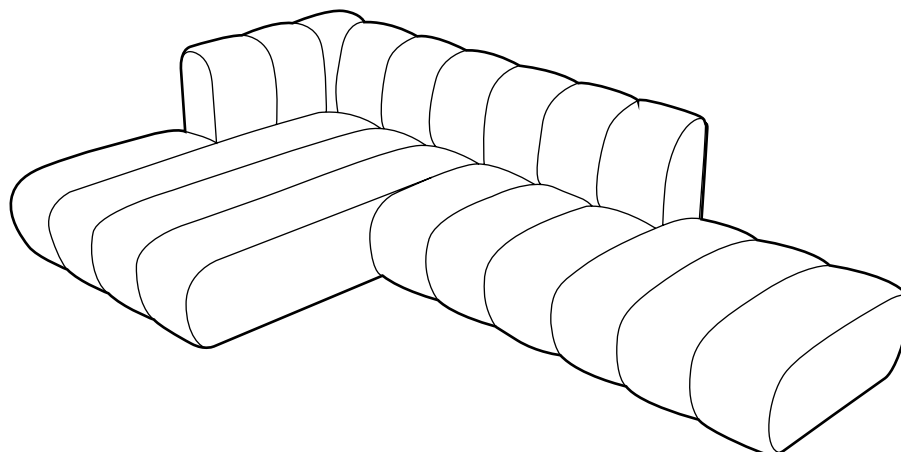
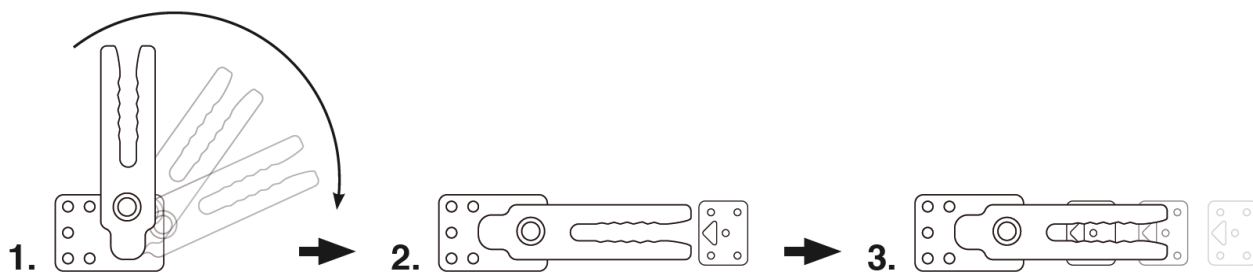
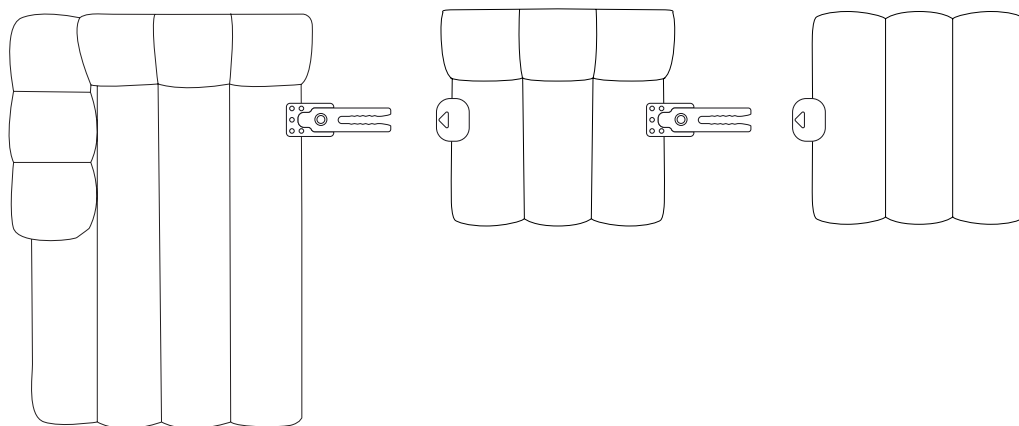
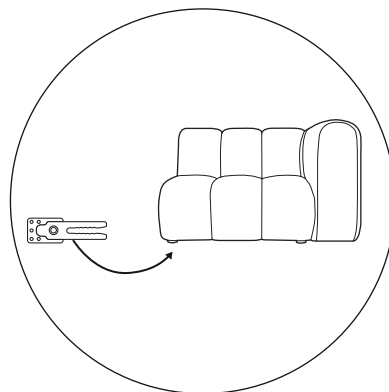
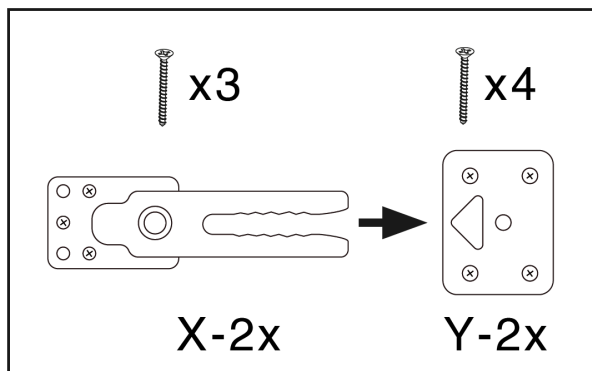
4: 2x F + E



5: B + D + E + F



6: B + D + E



7: A + E + F

