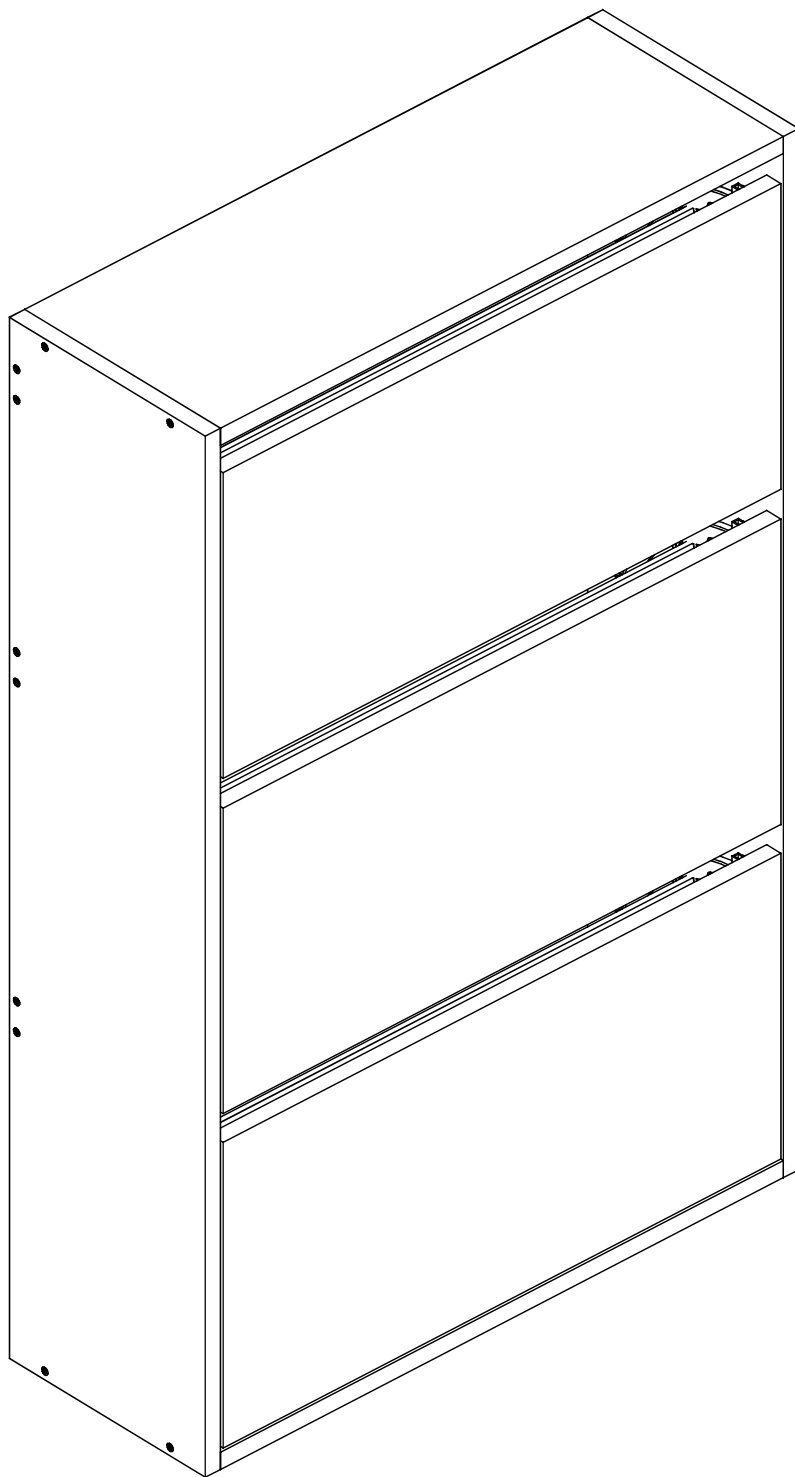


LUPA

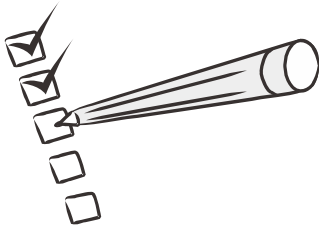
AYAKKABILIK - ANTR - 09028 -



Dear Customer,

We design and produce our products for people to love and have fun with them as we do.

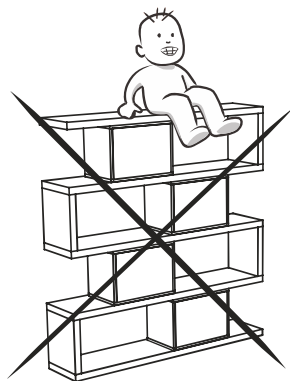
The product you bought was subjected to all sorts of tests and control before sending out to you.



Before start assembling, please check the whole components and accessories according to the lists. If you bought more than one product, to prevent confusion be sure that you completed the first product. Then start the other product's assembling.



Before start assembling, please clean all the components with a damp cloth. Also for usual cleaning, this will be enough.

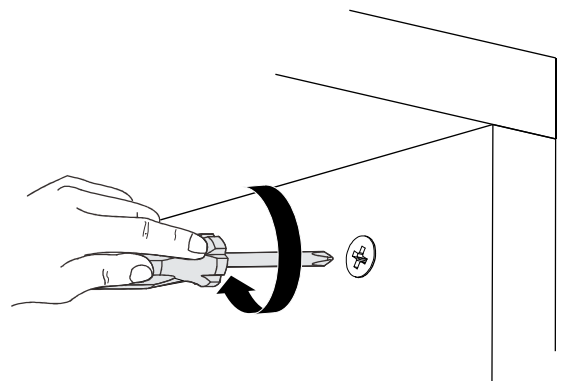
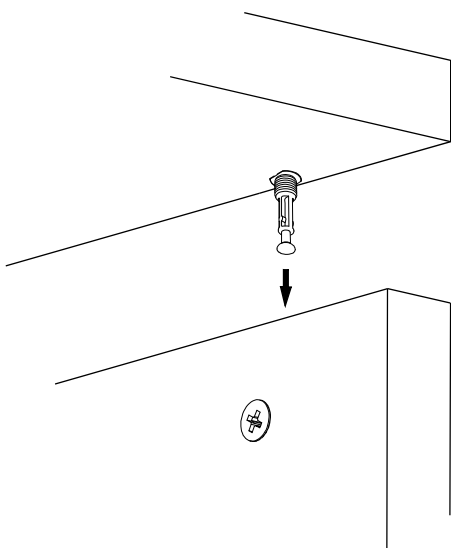
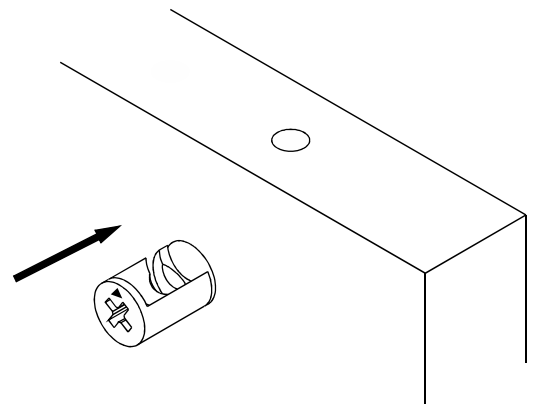
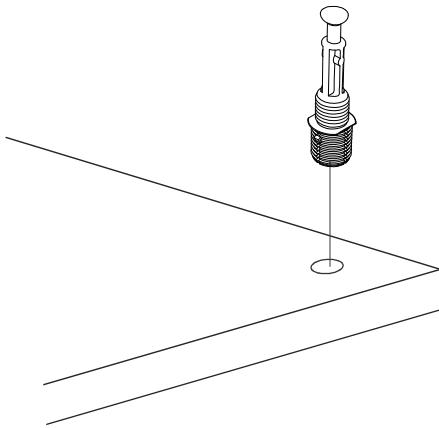
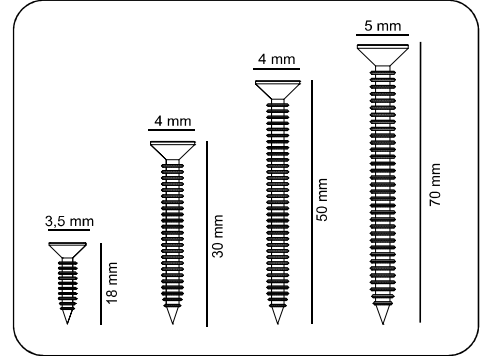
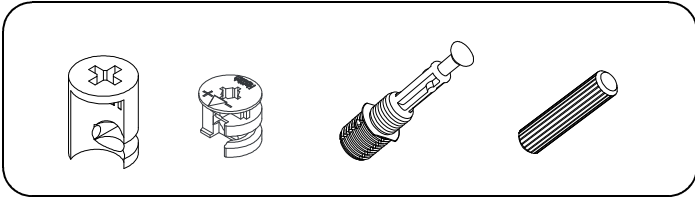


Do not use your furniture for out of purposes. If you would like to use it, please contact us for further questions.

Do not directly contact your furniture with excessive heat, cold and humidity because the product can be affected..

ATTENTION !!

Minifix is the main connection material used in products. Before starting assembly, please check the drawings below.



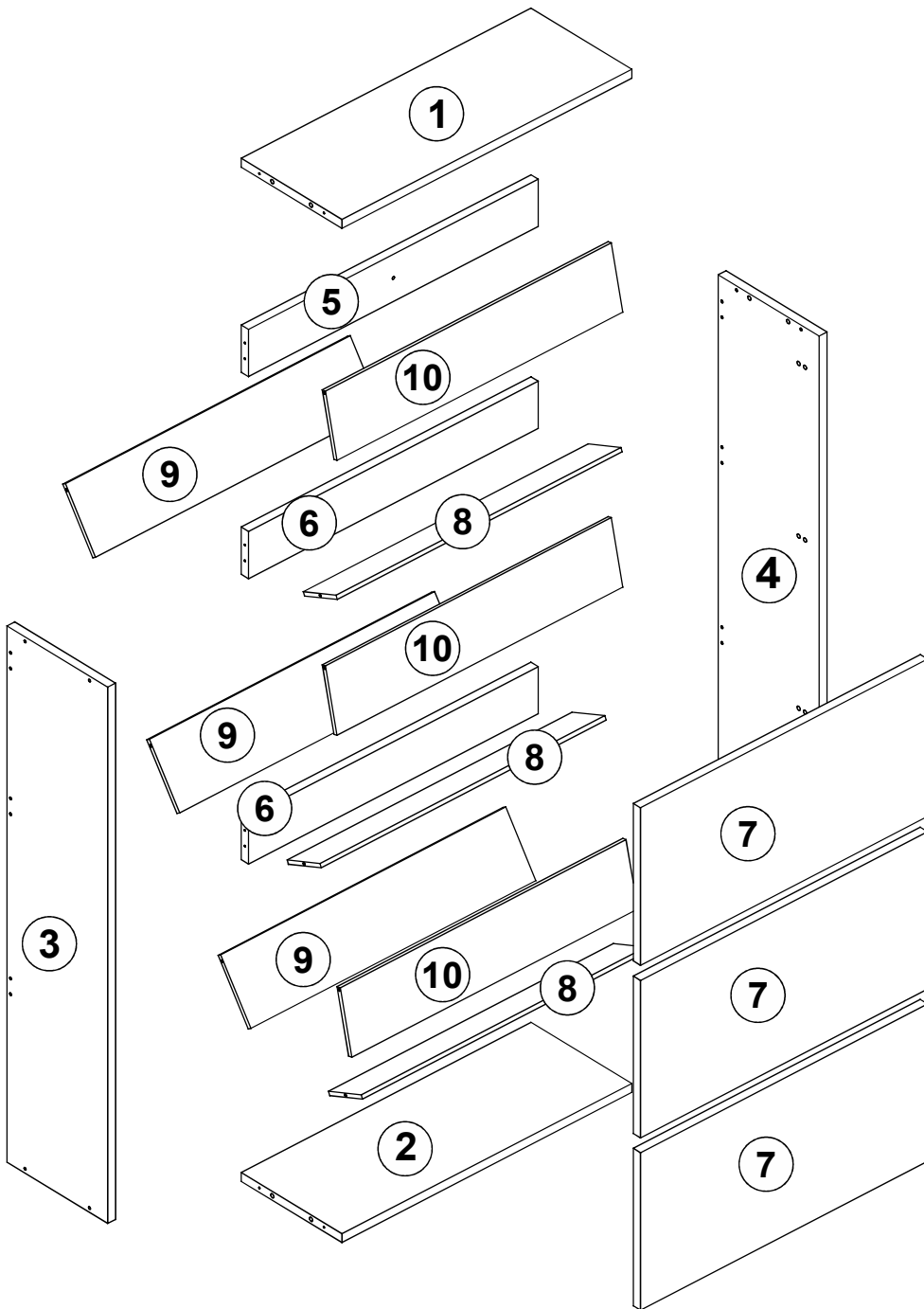
LUPA 3 KAPAKLI AYAKKABILIK

ACCESSORY LIST

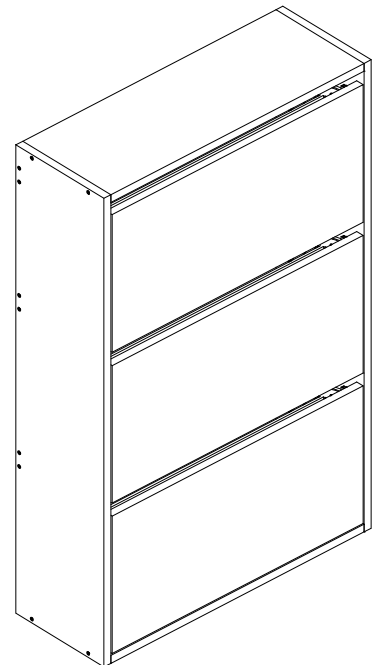
ANTRASIT - 09028 -

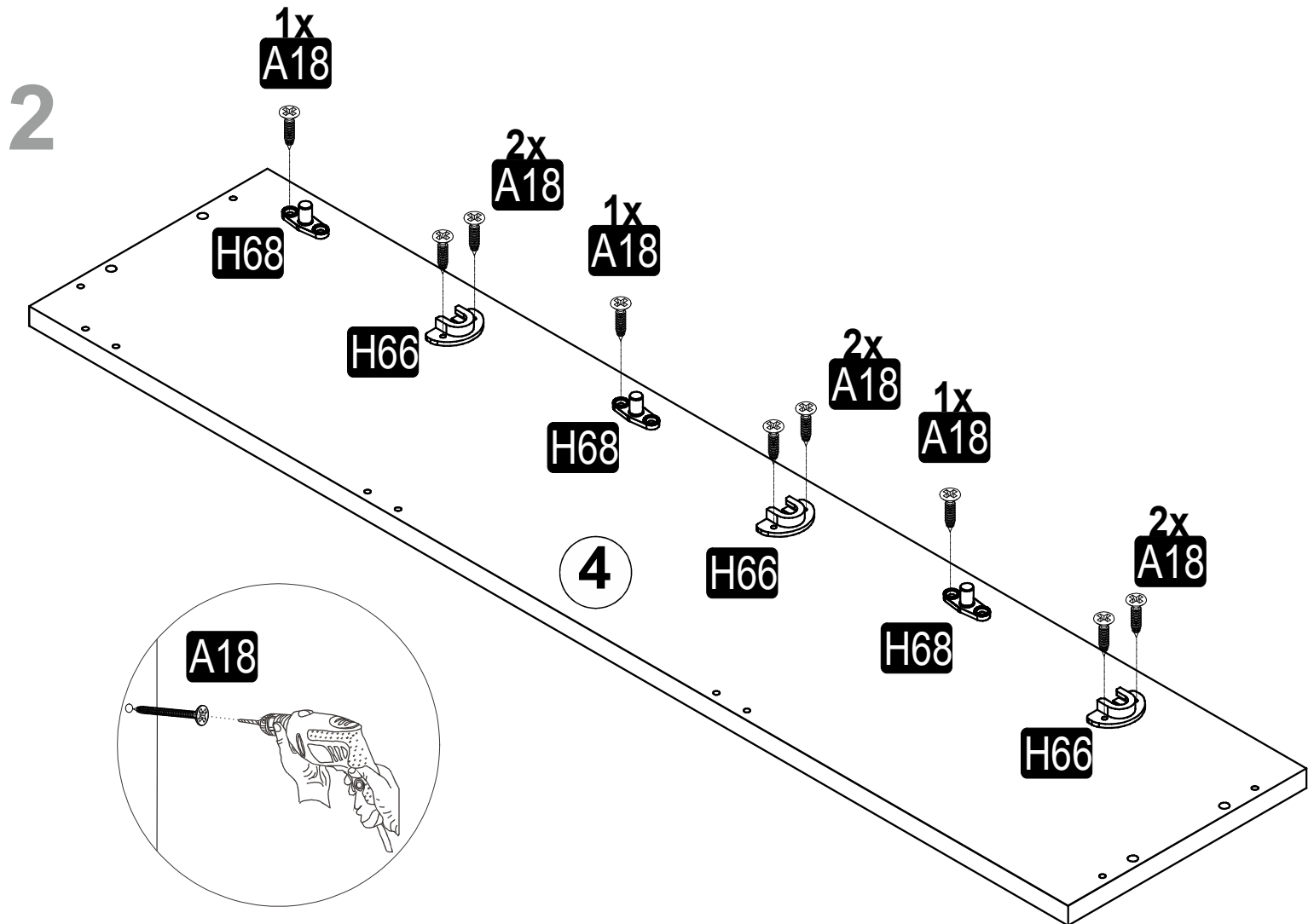
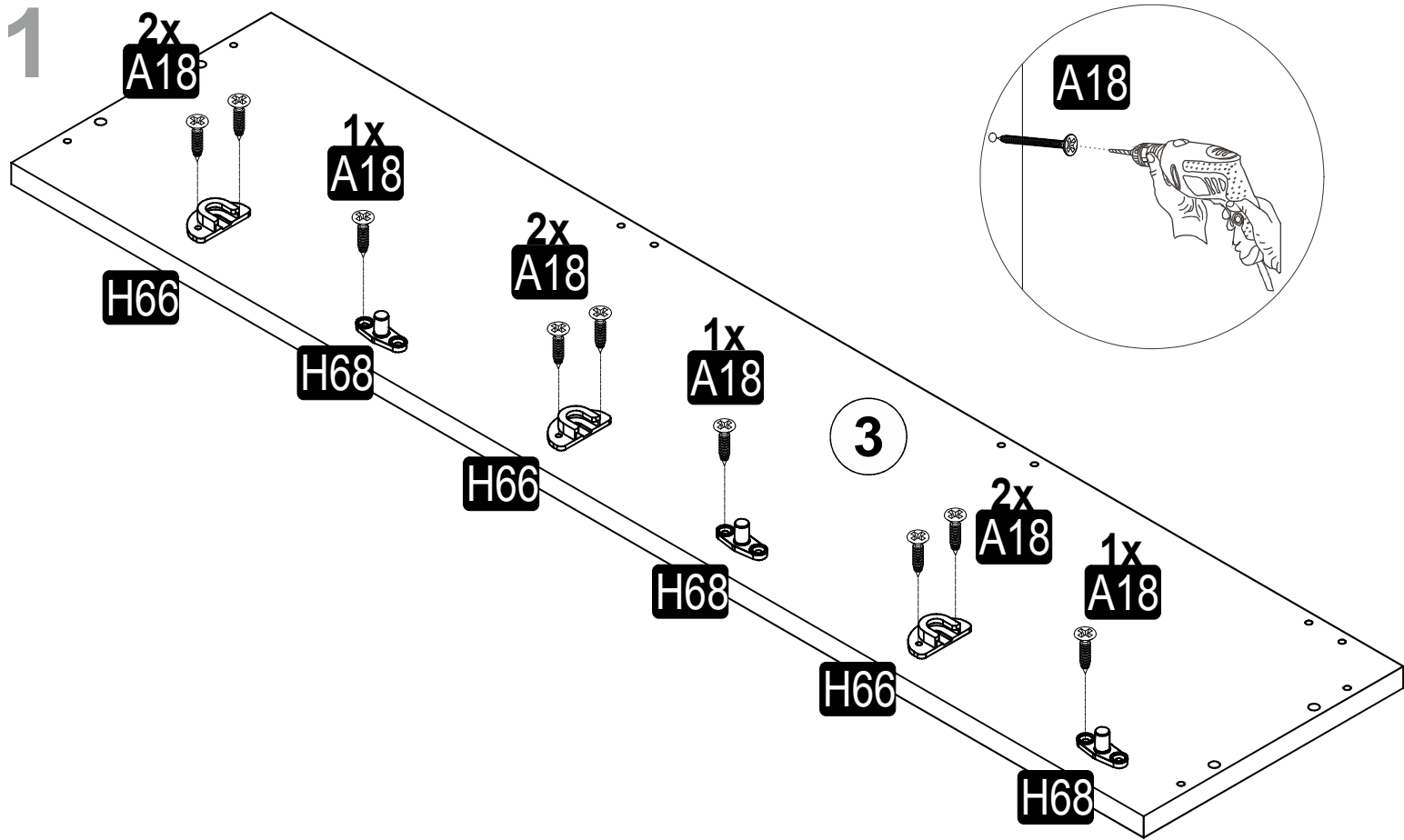
A17 YHB VD 4x50 20x	A42 YHB VD 5x70 2x	A04 PLSTK KVLV 8x30 8x	A16 DB 8mm 2x	A18 YHB VD 3,5x18 42x
H65 AYK GVD 3T	H66 AYK MNTŞE 6x	H68 AYK STPR 6x	A10 14mm ANTR 22x	K42 YHB VD 2,5x16 36x

GENERAL VIEW

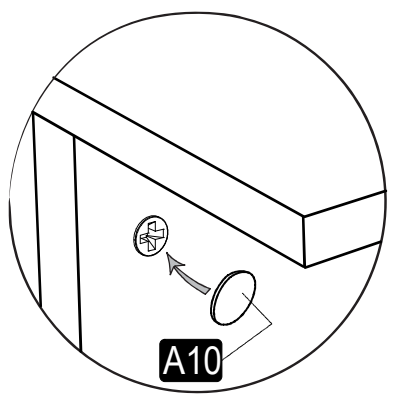
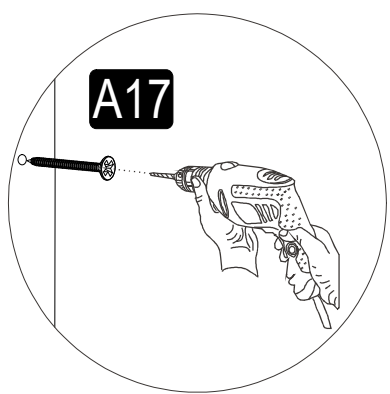
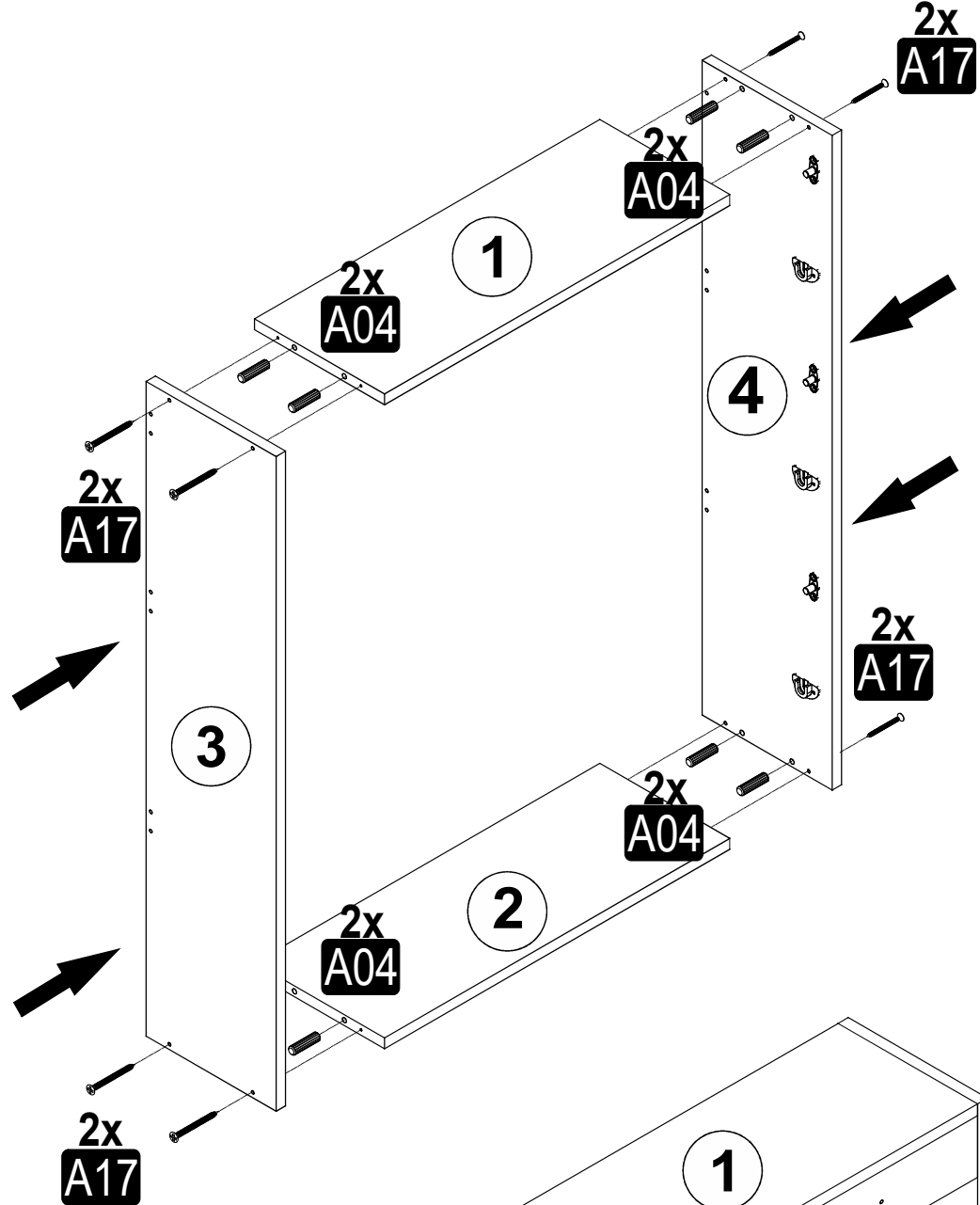


.01	1	664	250	18
.02	1	664	250	18
.03	1	1090	250	18
.04	1	1090	250	18
.05	1	664	96	18
.06	2	664	96	18
.07	3	658	320	18
.08	3	628	84	8
.09	3	628	130	8
.10	3	628	120	8

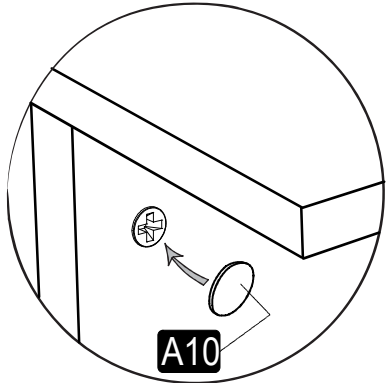
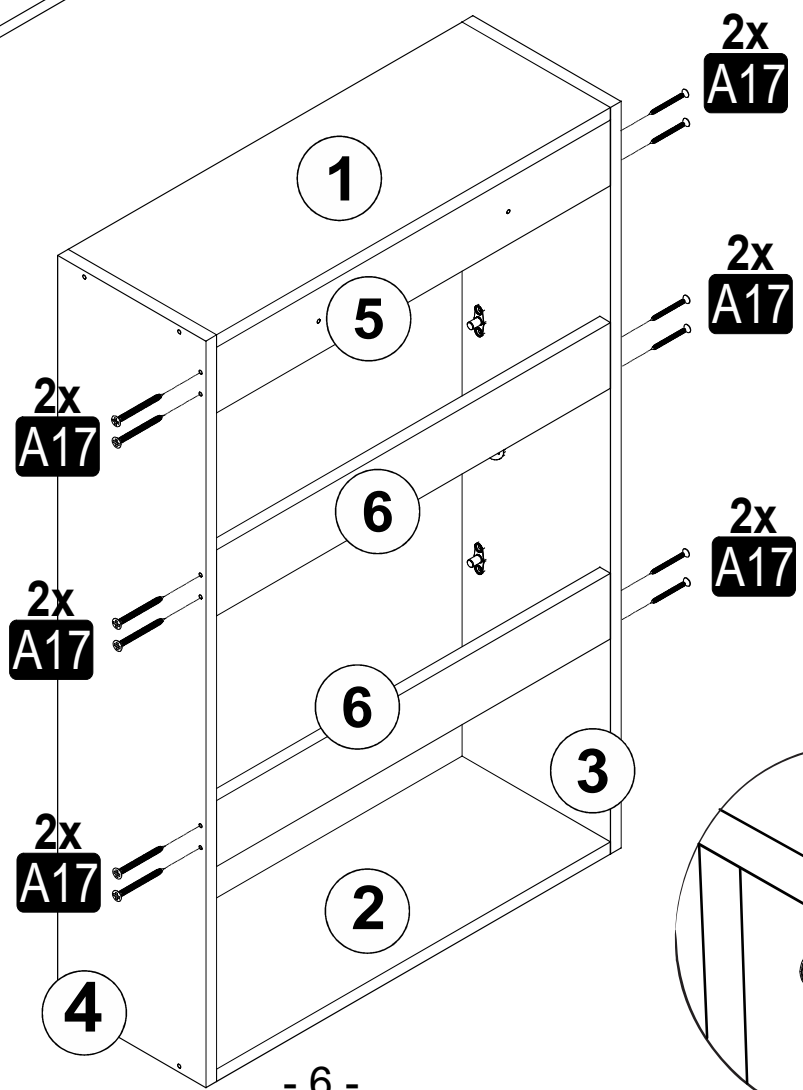
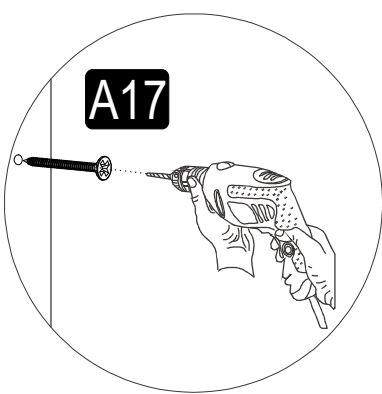




3

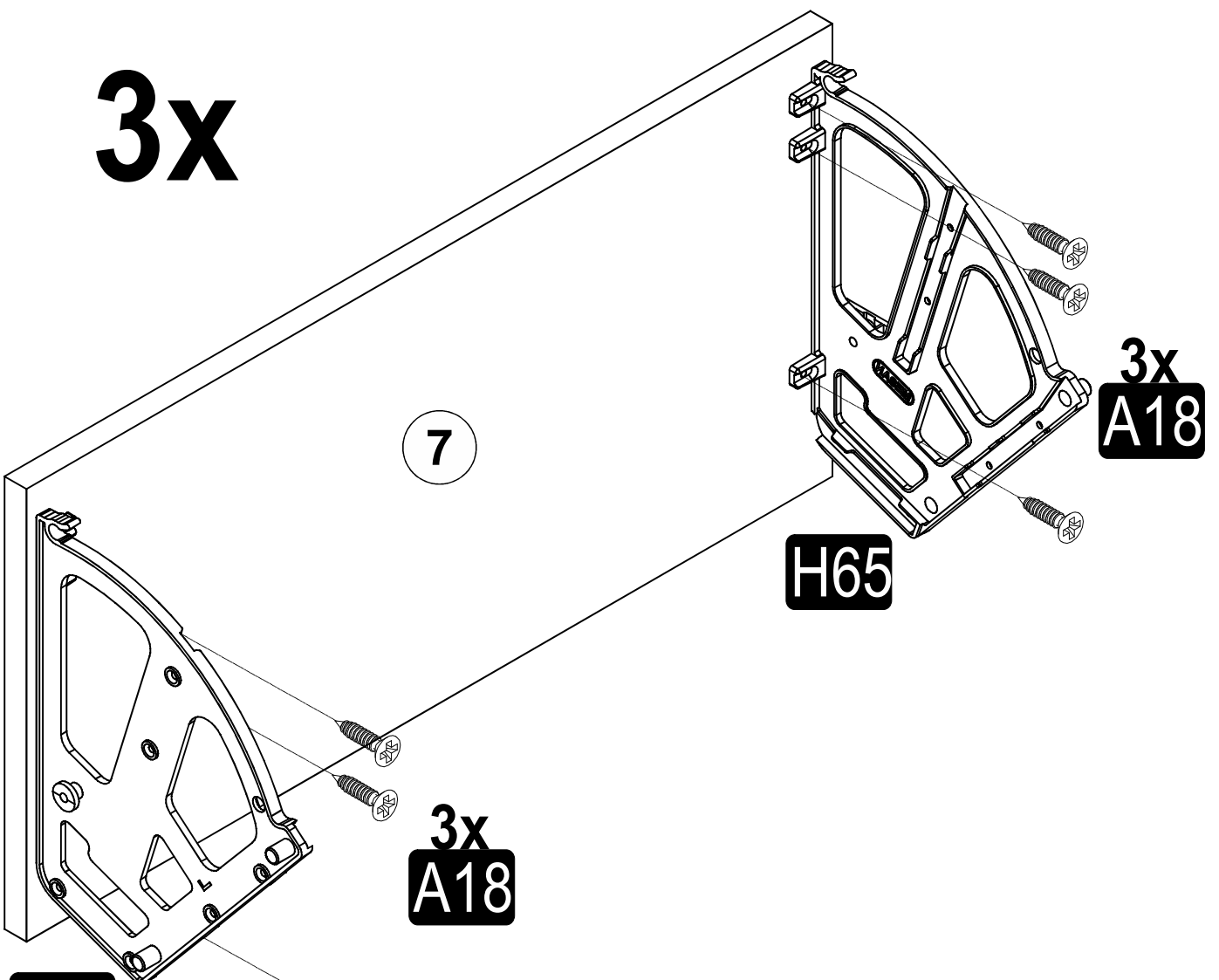


4



5

3x



6

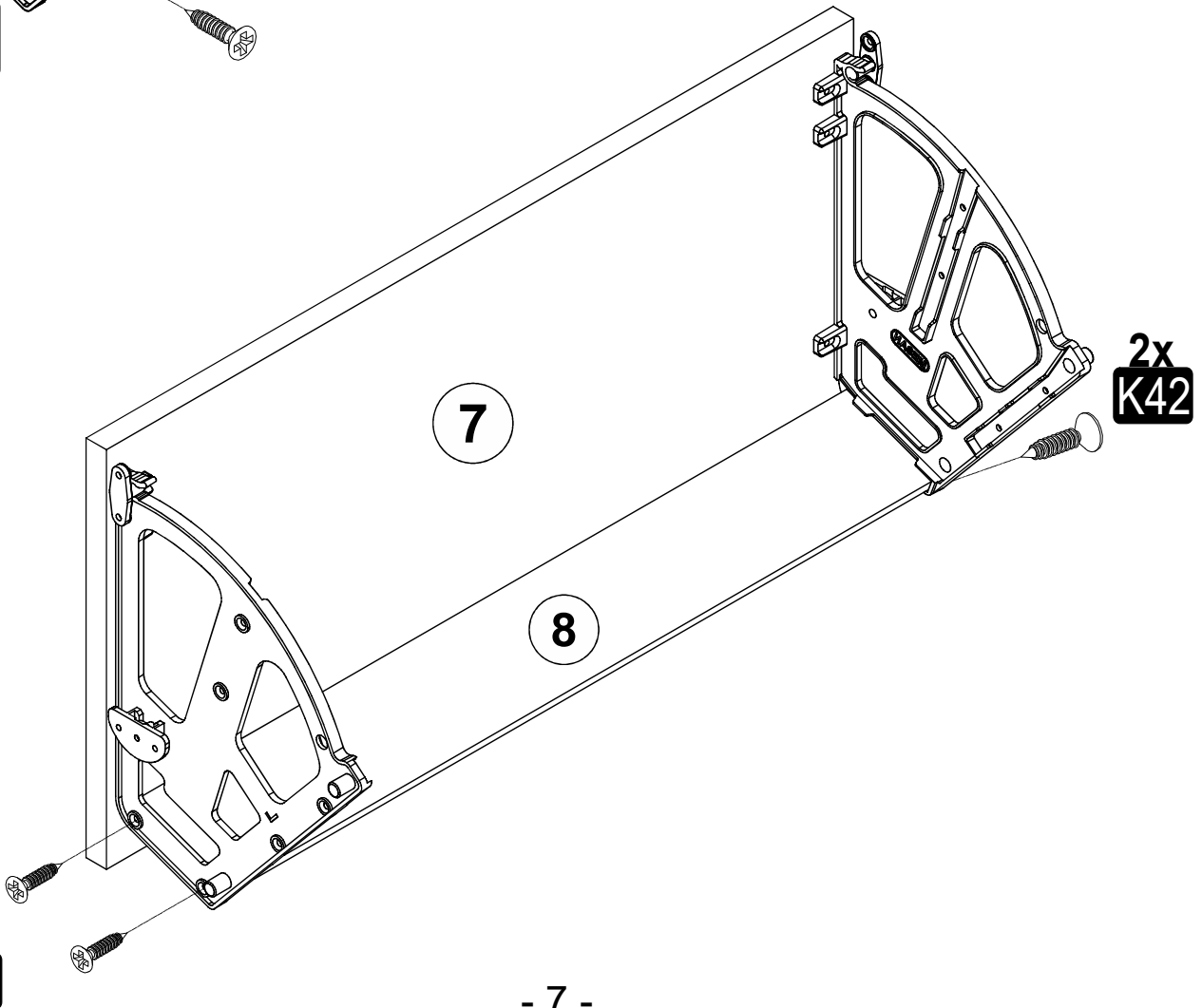
H65

3x
A18

H65

3x
A18

3x



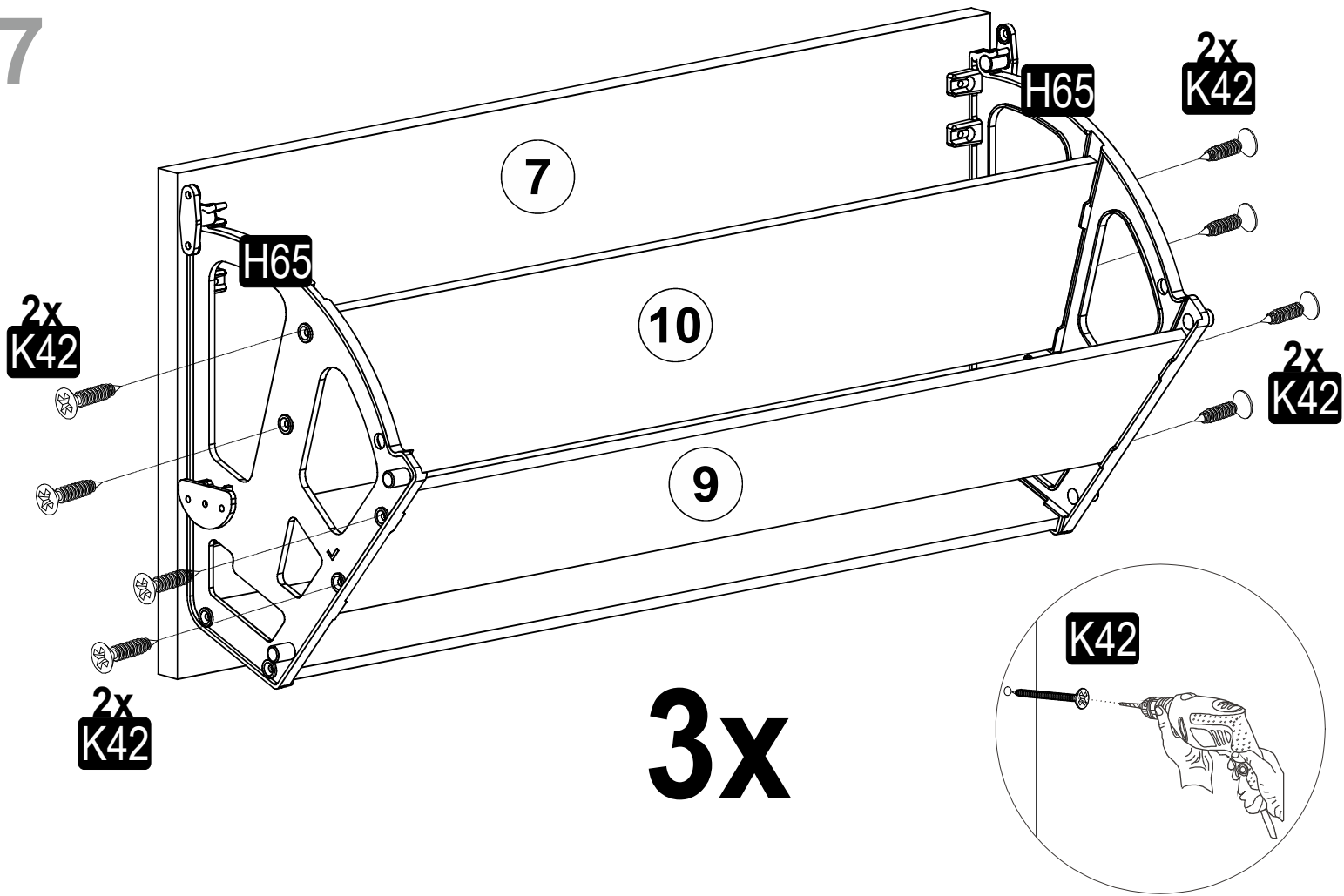
7

8

2x
K42

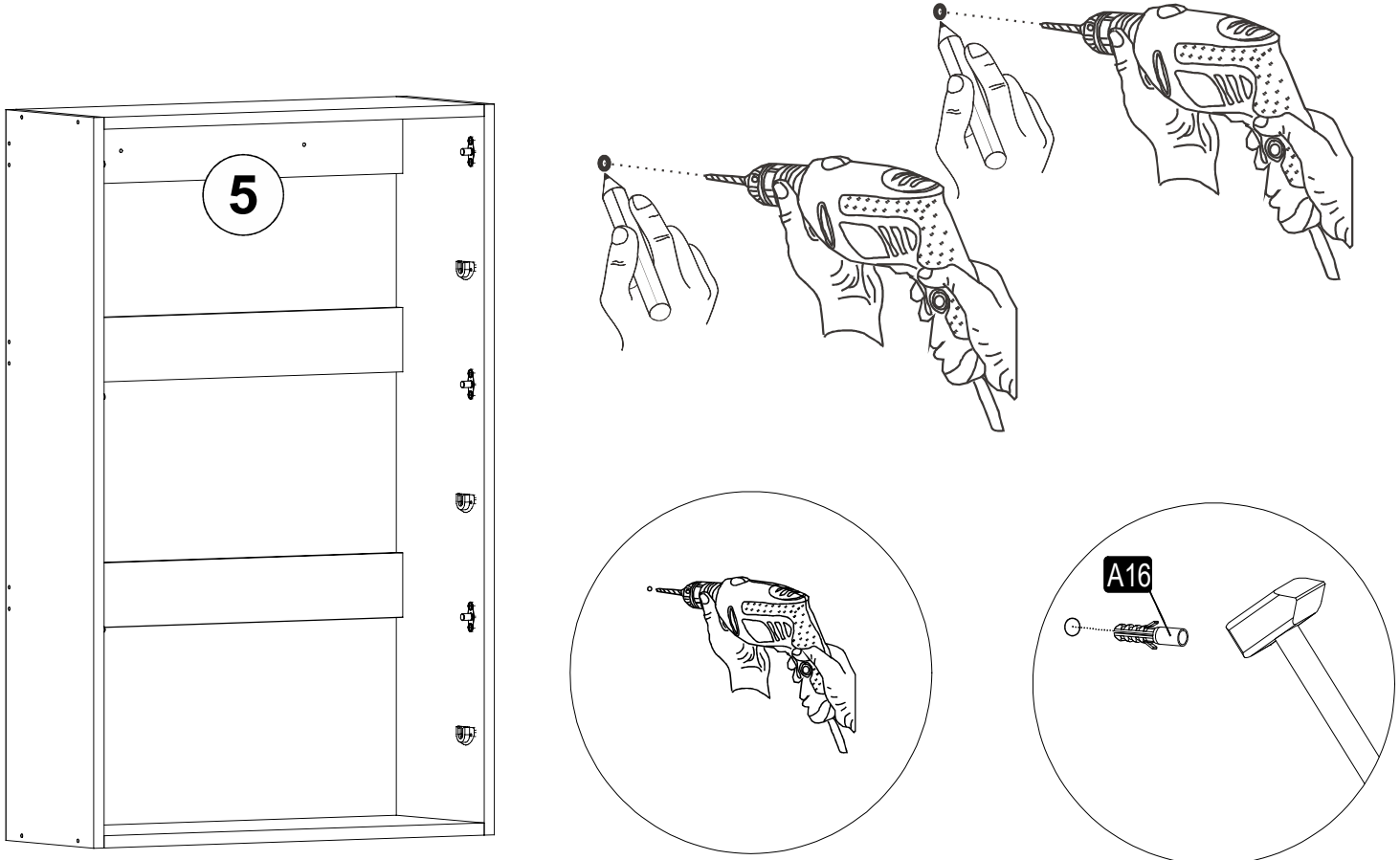
2x
K42

7

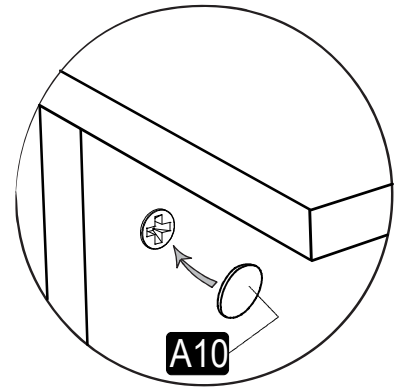
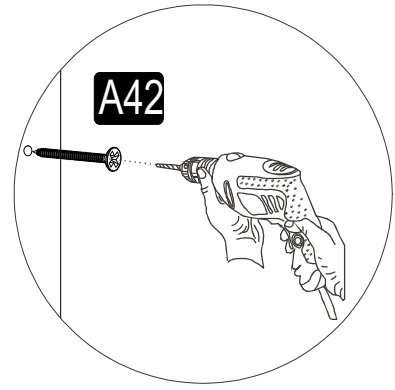
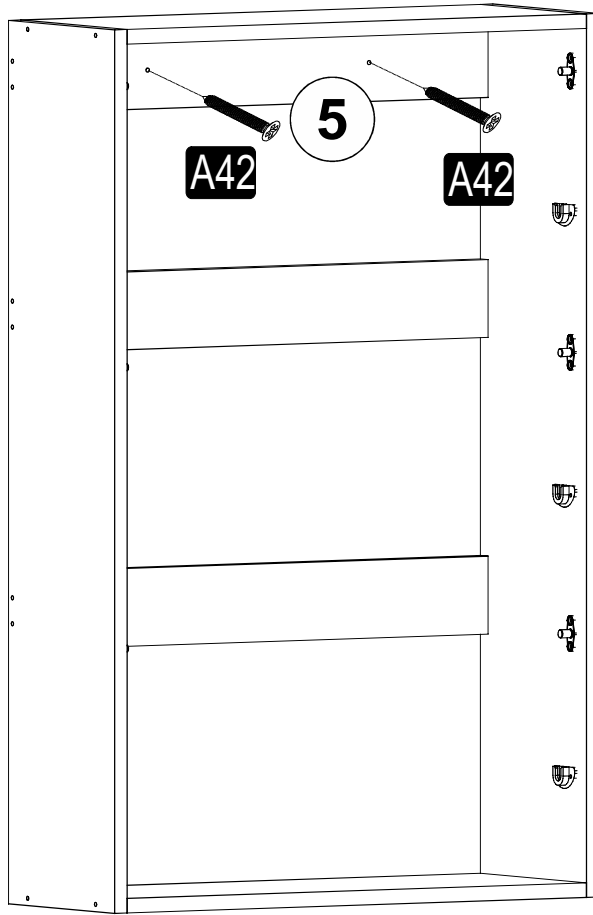


3x

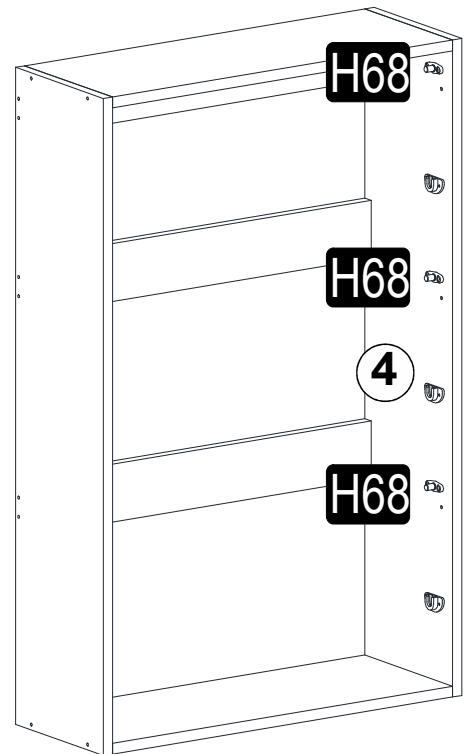
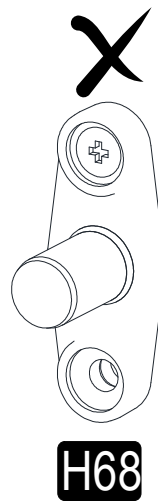
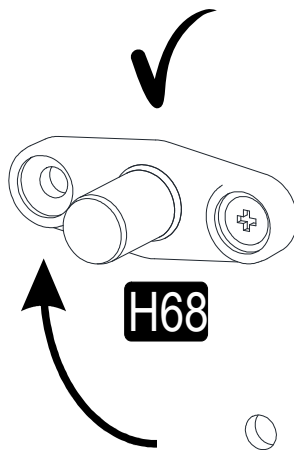
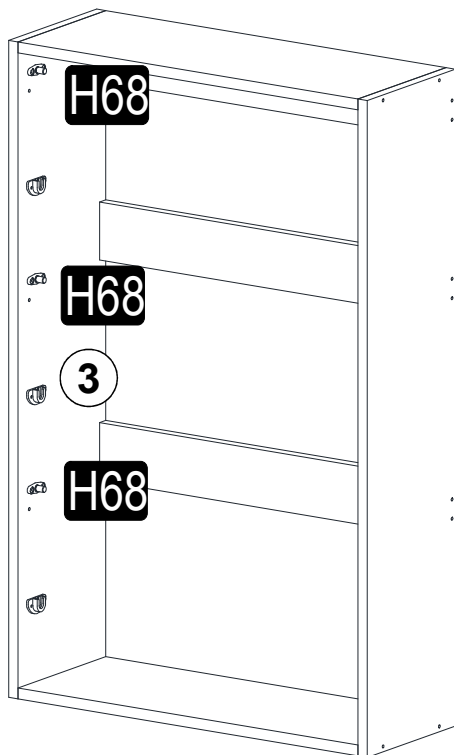
8



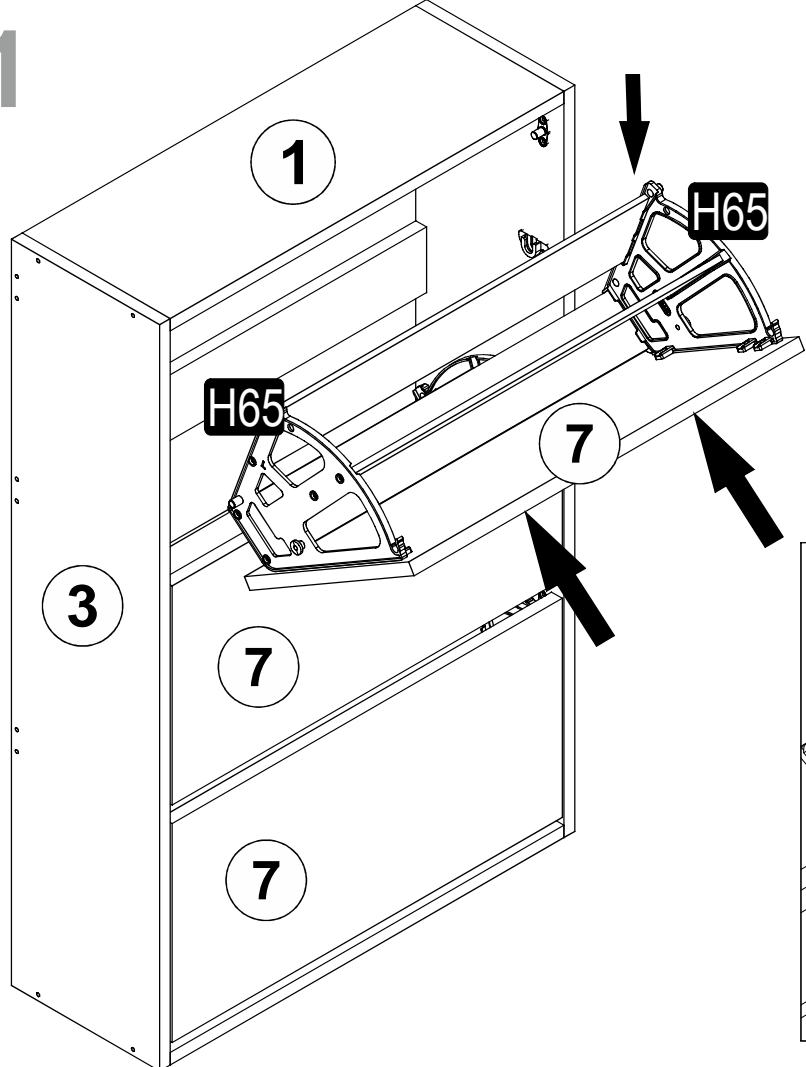
9



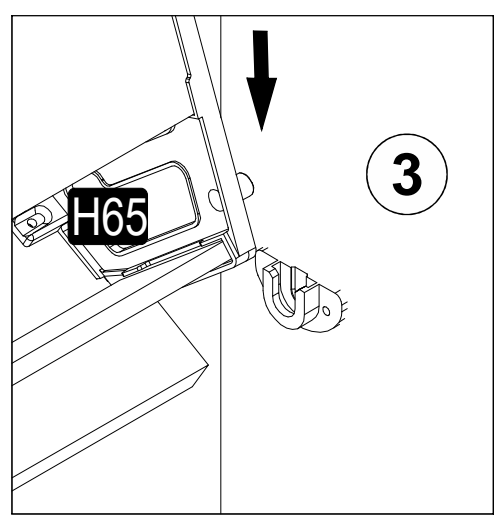
10



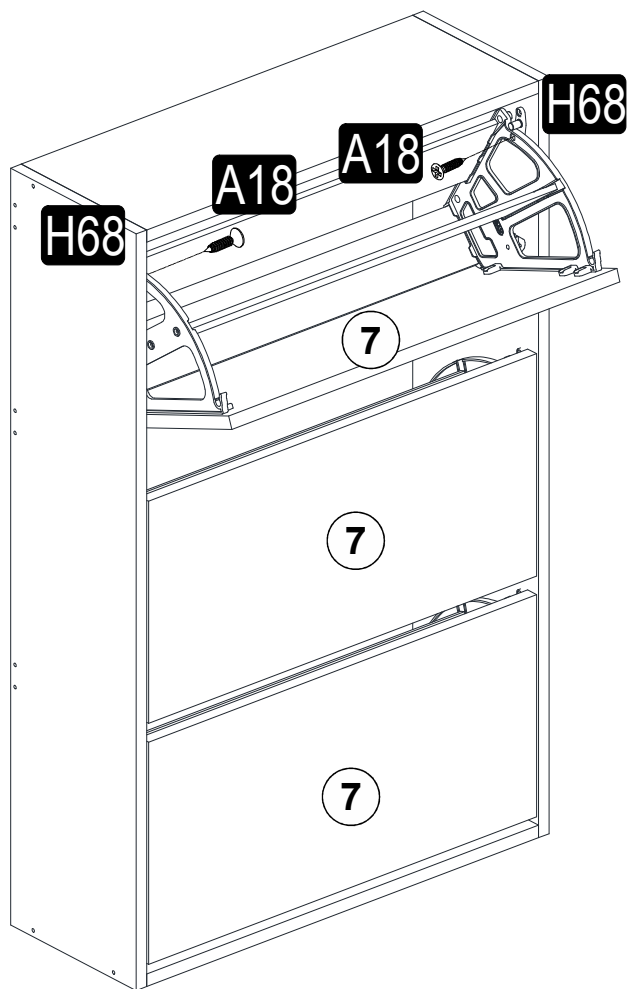
11



3x



12



3x

