

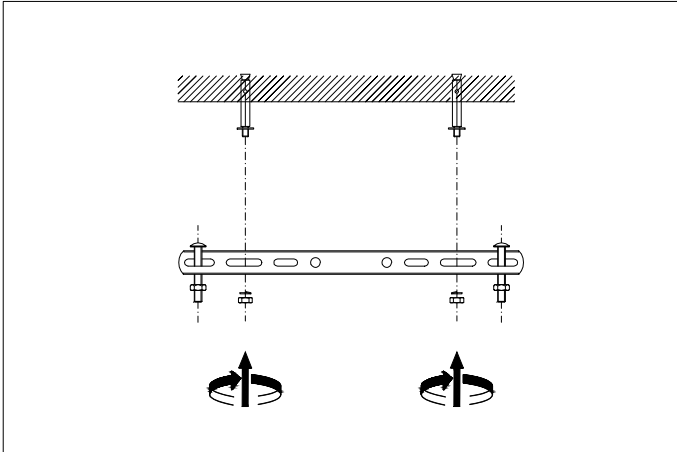
**Item type**  
Ceiling Lamp  
**Item name**  
Hector

**Attention!**  
Turn off the electricity supply at the main circuit panel before installing.  
Do not connect the electricity supply until your luminaire is fully assembled and installed.

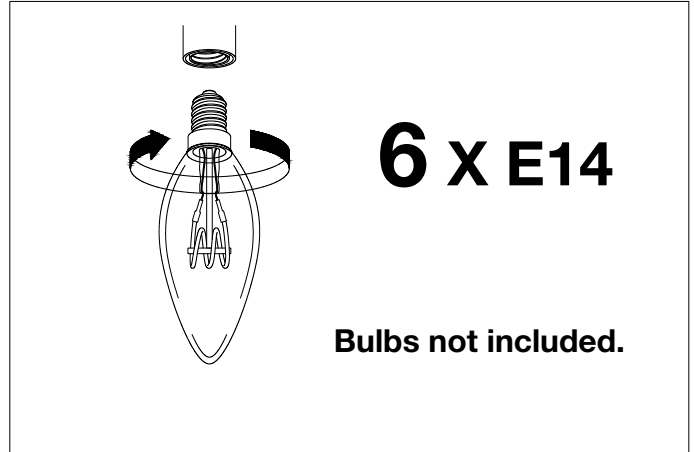
**Care instructions:**  
Wipe with a soft dry cloth, do not use chemicals or abrasive cleaning materials.

**Eichholtz B.V.**  
Delfweg 52  
2211 VN Noordwijkerhout  
The Netherlands

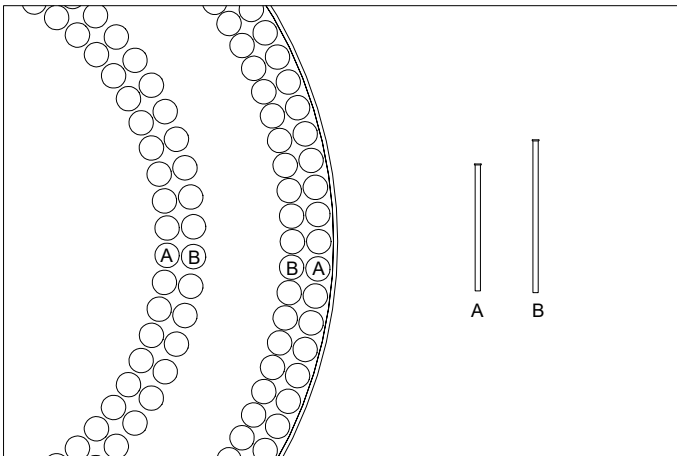
🏠 [www.eichholtz.com](http://www.eichholtz.com)  
✉ [service@eichholtz.com](mailto:service@eichholtz.com)  
☎ +31 (0)252 515 850



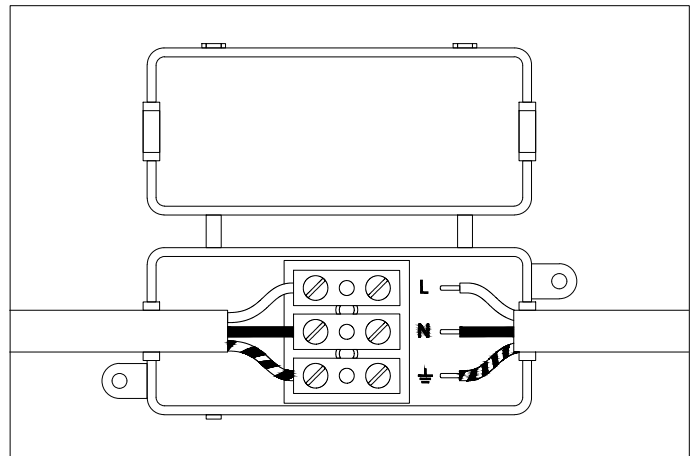
1. Fix the ceiling bracket to the ceiling by using mounting plugs and screws suitable for your ceiling type.



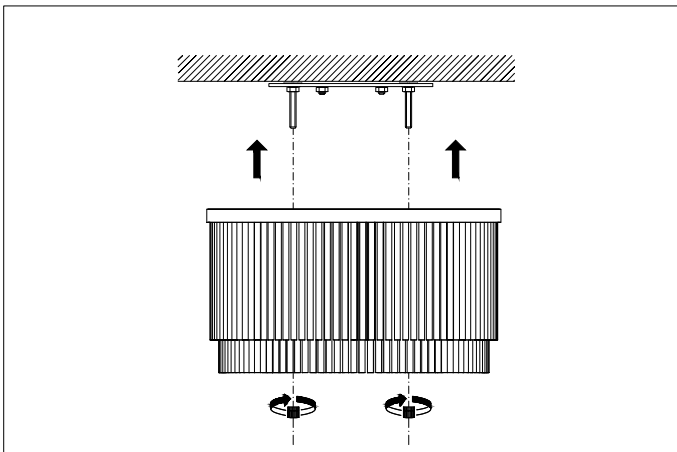
2. Place the bulbs.



3. Place the glass according to the schedule, from inside out: A, B, B, A.



4. Connect the 3 wires according to their colours. Brown is the live wire, blue is the neutral wire and green/yellow is the earth wire.



5. Place the lamp over the ceiling plate and secure it with the two nuts.