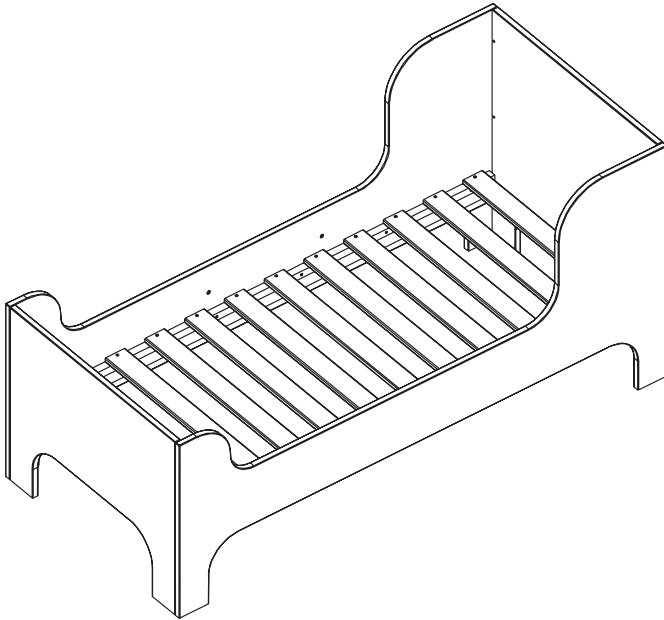


# Sill junior bed

---

Assembly manual

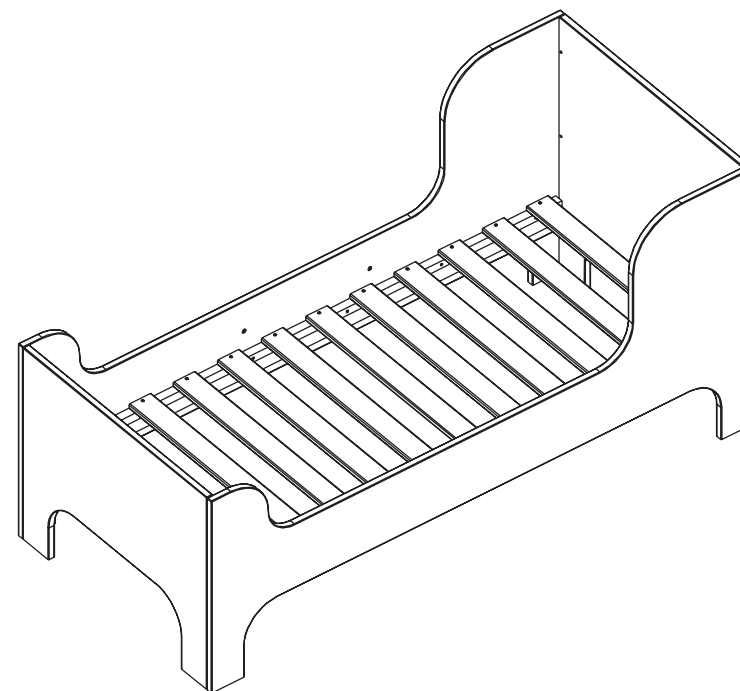


ferm  
L I V I N G

# SILL JUNIOR BED

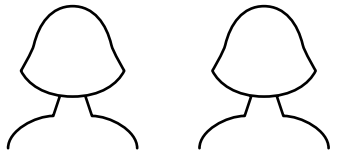
ASSEMBLY MANUAL

[fermliving.com](http://fermliving.com)

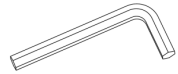


ferm  
L I V I N G

## NEED FOR ASSEMBLING



2 x Persons



1 x Hexkey



1 x Hexkey



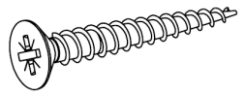
12 x Dowels



4 x Connector

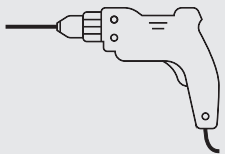


4 x Connector screws



24 x Lamella screws

### NEEDED TOOLS



Electrical drill



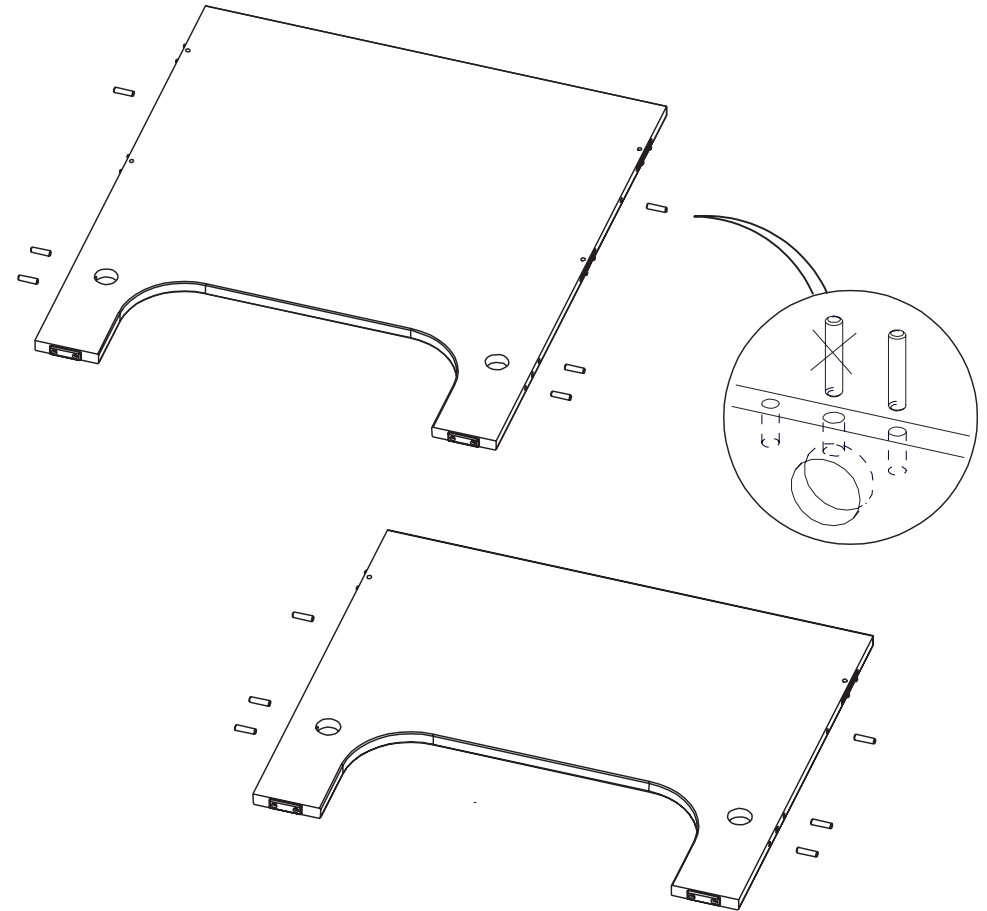
Hammer



Screwdriver  
(Philips/Prozidriv)

## ASSEMBLY PROCESS

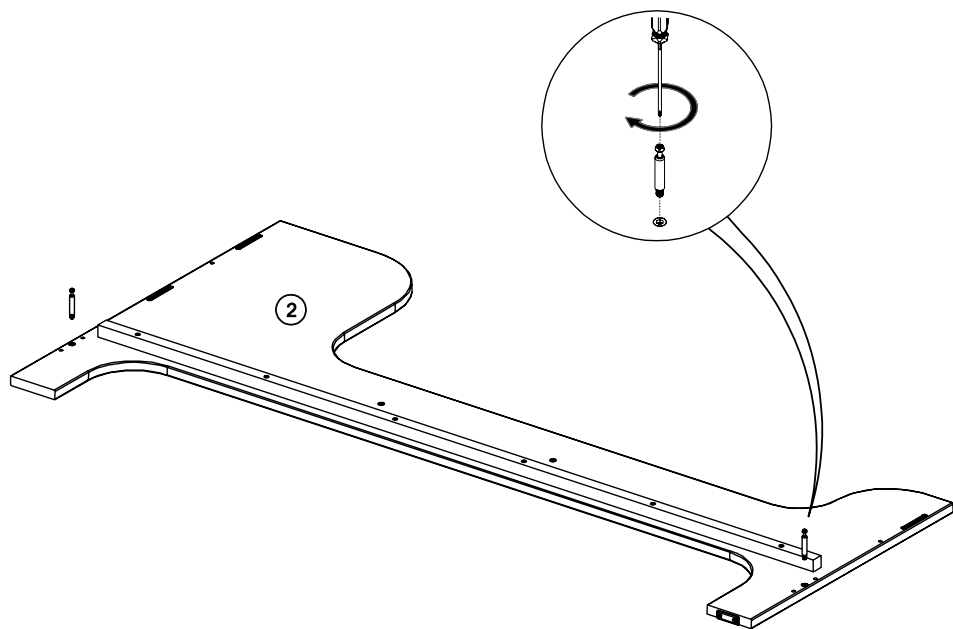
1.



Insert the dowels into the designated holes.  
Please note that you should not insert dowels in the middle hole.

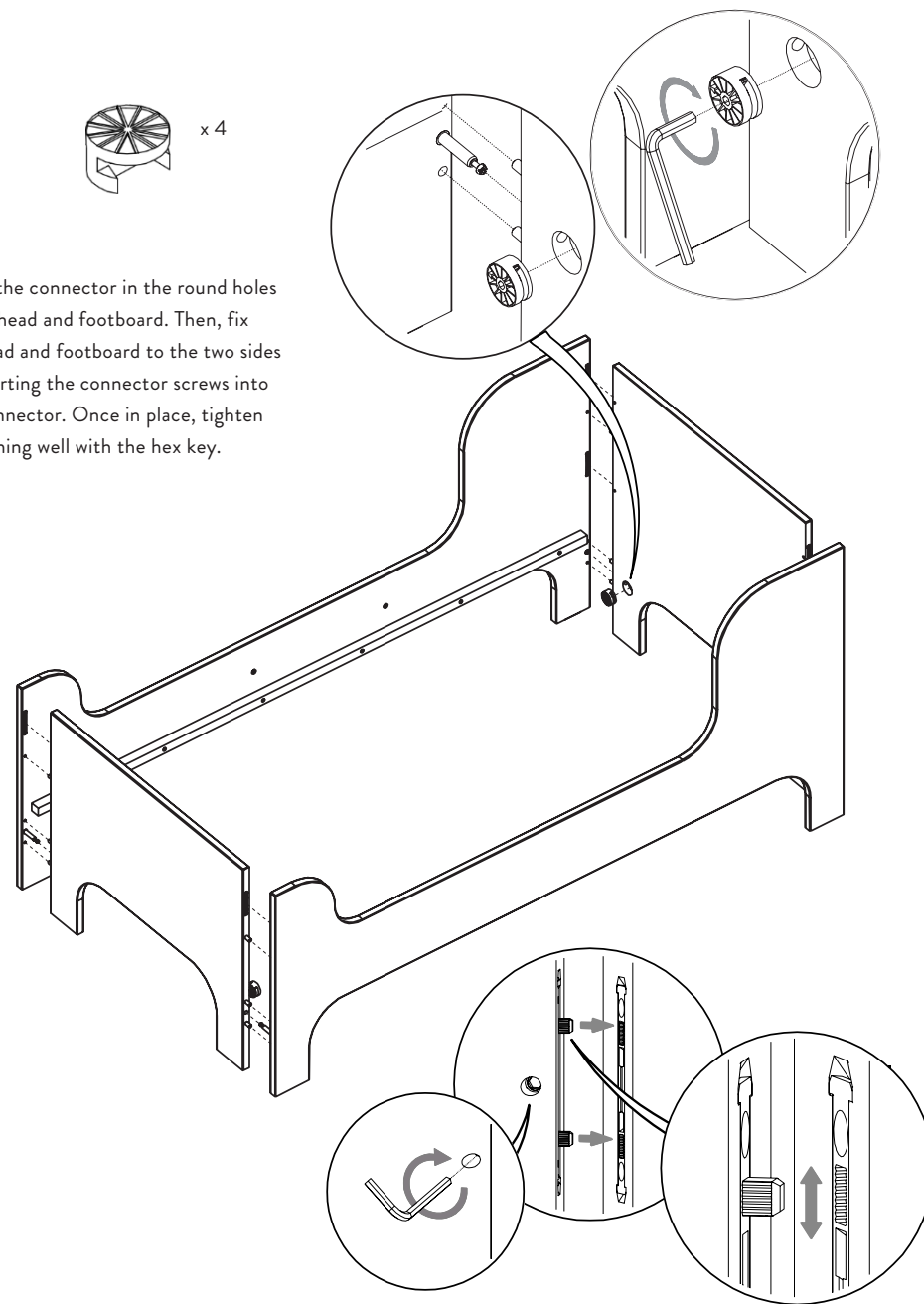
2.  x 4

Using a screwdriver, mount the connector screws on each end of the sideboards.



3.  x 4

Insert the connector in the round holes of the head and footboard. Then, fix the head and footboard to the two sides by inserting the connector screws into the connector. Once in place, tighten everything well with the hex key.



4.



x 24

As illustrated, mount the bed slats to the bed using the small bracket screws.

