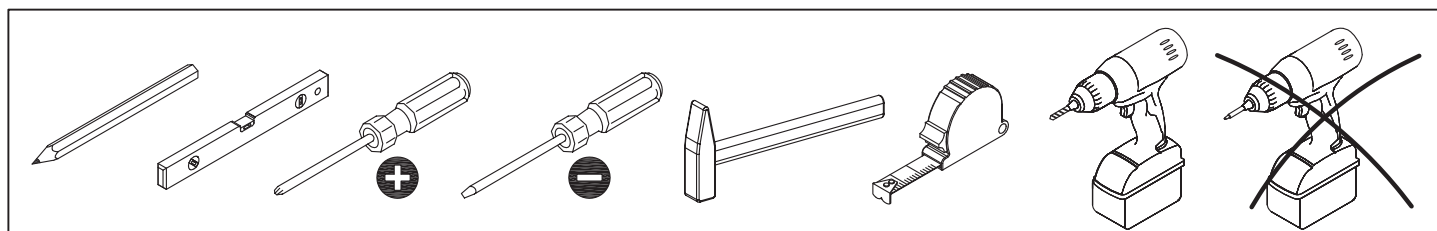
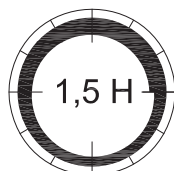
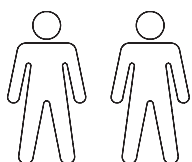
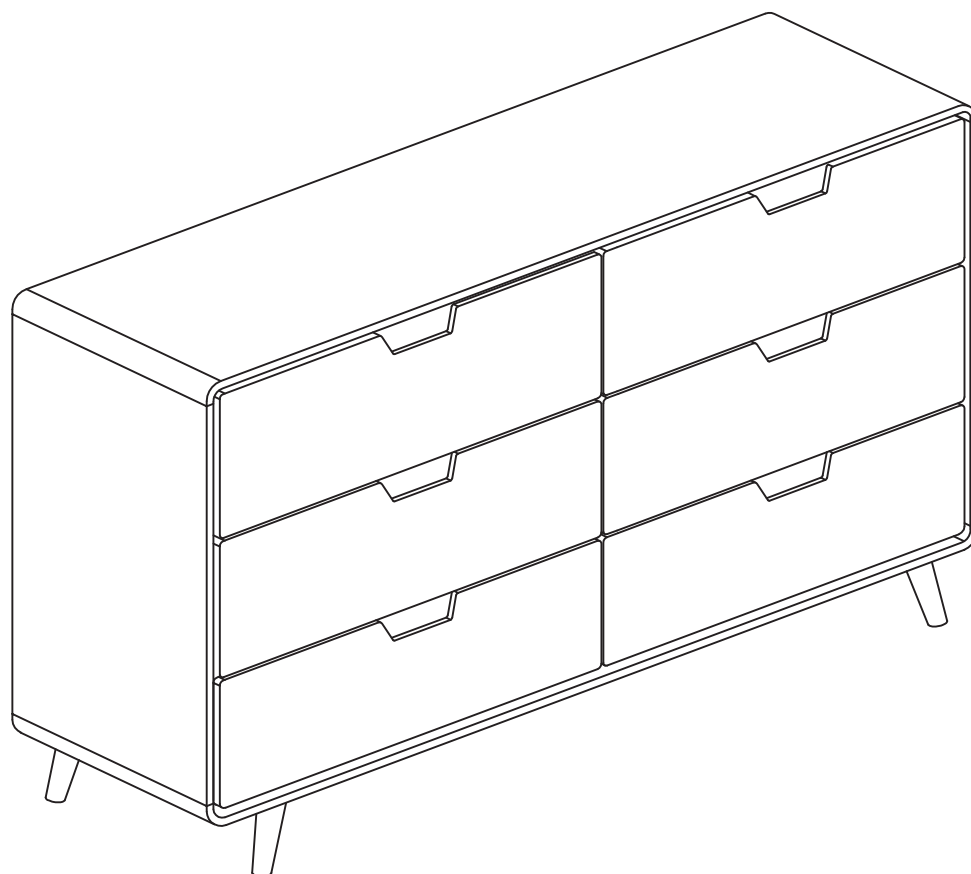
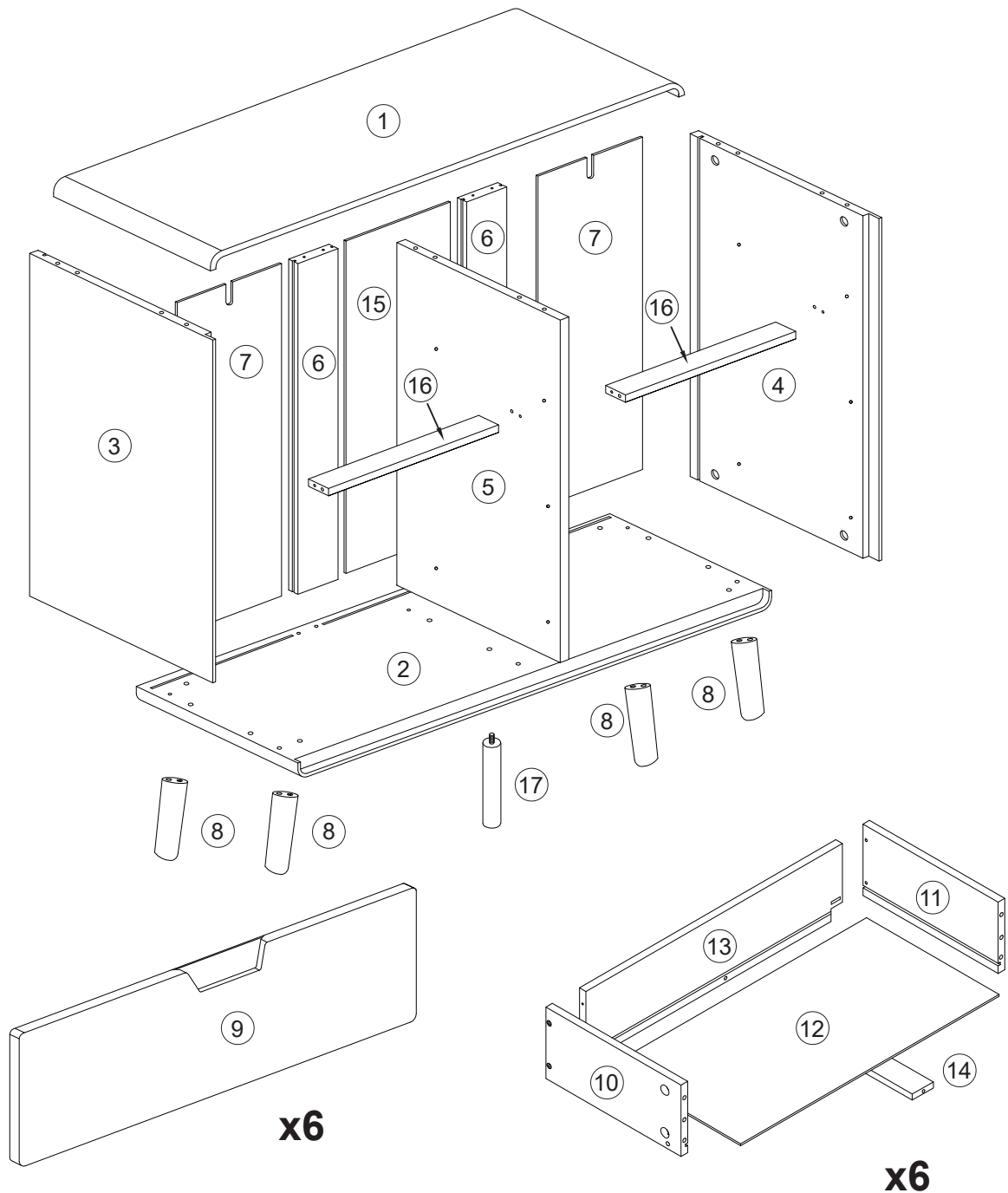


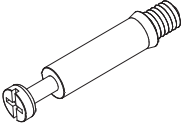
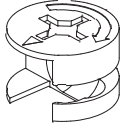
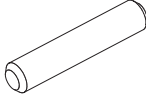
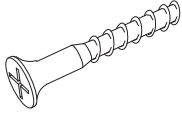
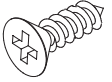
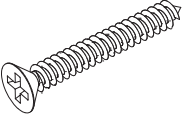
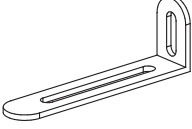
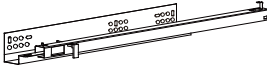
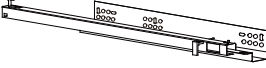
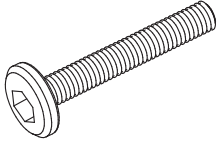
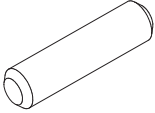

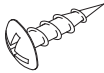


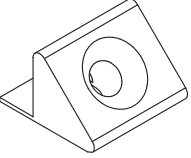
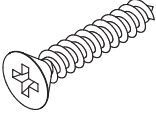
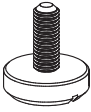
LOWELL



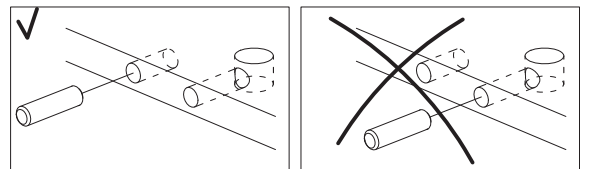
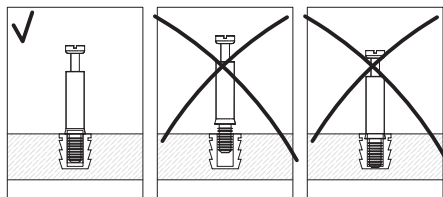
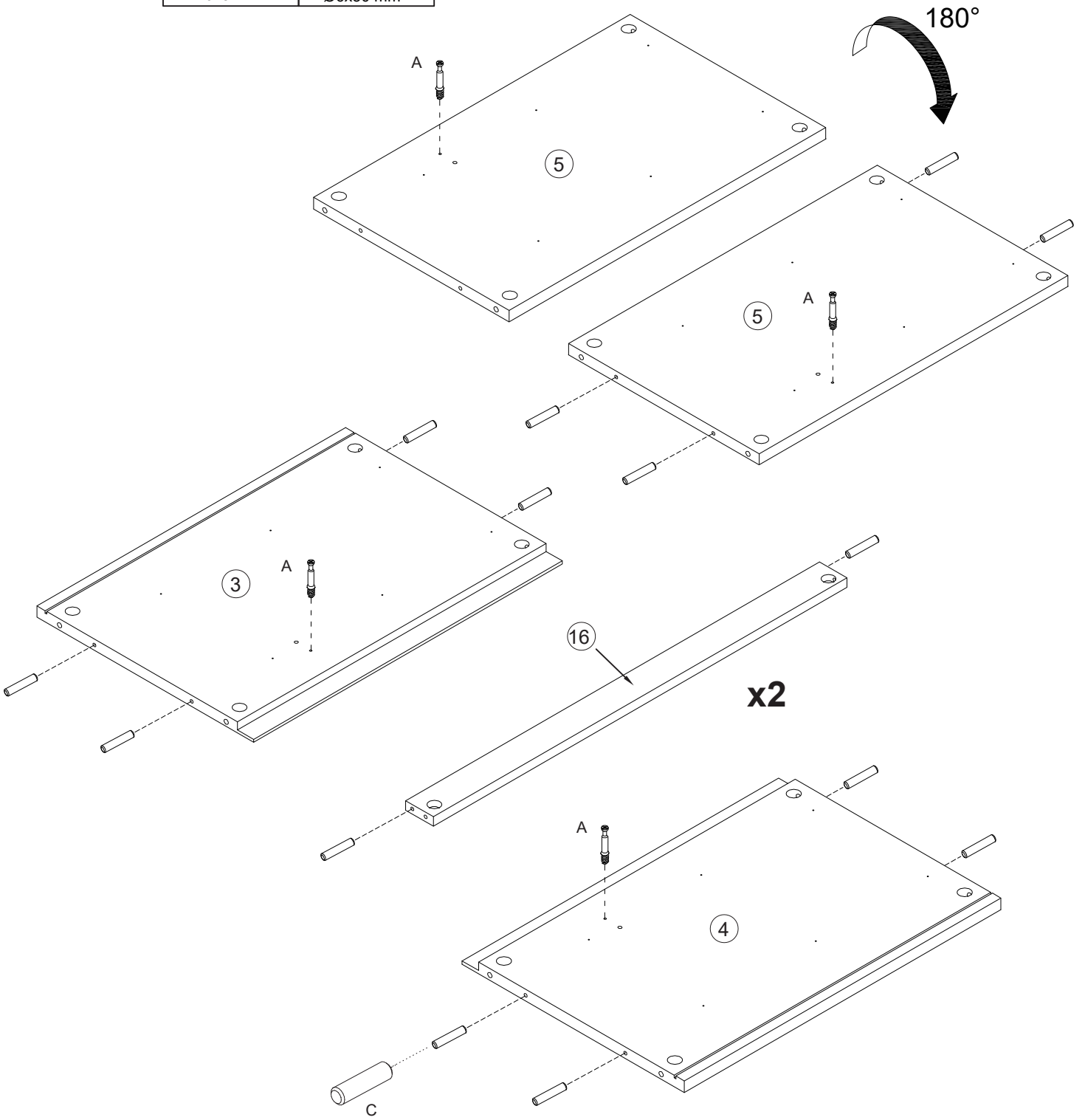
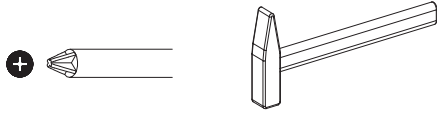
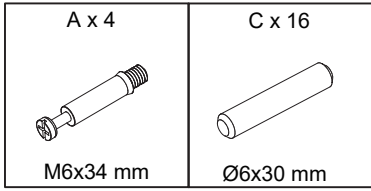
			✓
①	1	1350X400X25	
②	1	1350X400X25	
③	1	670X400X18	
④	1	670X400X18	
⑤	1	670X365X18	
⑥	2	670X90X15	
⑦	2	680X391X3	
⑧	4	Ø50X187	
⑨	6	658X230X15	

			✓
⑩	6	332X135X12	
⑪	6	332X135X12	
⑫	6	610X326X3	
⑬	6	602X135X12	
⑭	6	318X50X12	
⑮	1	680X374X3	
⑯	2	646X50X15	
⑰	1	Ø30X163	

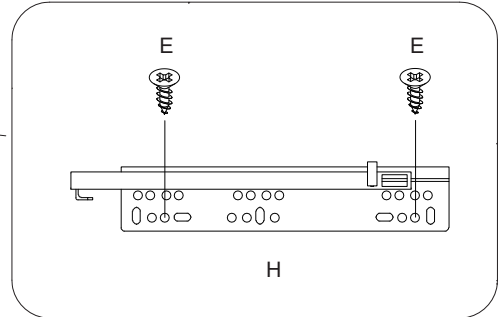
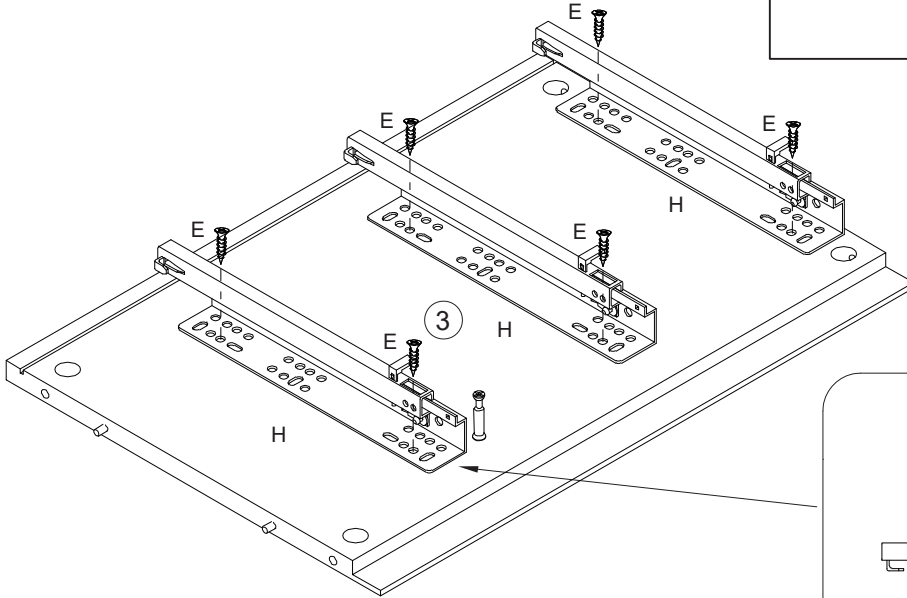
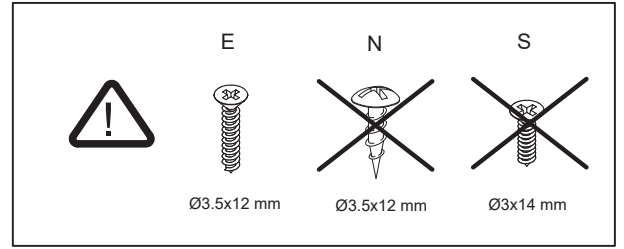
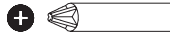
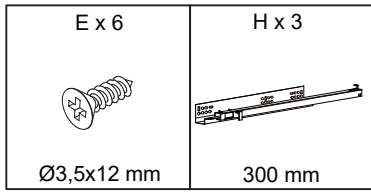


<p>A X 50</p>  <p>M6/34 mm</p>	<p>B X 50</p>  <p>Ø15x9,5 mm</p>	<p>C X 28</p>  <p>Ø6x30 mm</p>	<p>D X 4</p>  <p>Ø5x40 mm</p>	<p>E X 24</p>  <p>Ø3,5x12 mm</p>
<p>F X 30</p>  <p>Ø4x30 mm</p>	<p>G X 2</p>  <p>75x30x15 mm</p>	<p>H X 6</p>  <p>300 mm</p>	<p>J X 6</p>  <p>300 mm</p>	<p>K X 4</p>  <p>M6x40 mm</p>
<p>L X 4</p>  <p>Ø8x30 mm</p>	<p>M X 4</p>  <p>Ø6/Ø16 mm</p>	<p>N X 4</p>  <p>Ø3.5x12 mm</p>	<p>P X 4</p>  <p>Ø25x2 mm</p>	<p>Q X 1</p>  <p>4 mm</p>
<p>R X 12</p>  <p>15x13x10 mm</p>	<p>S X 12</p>  <p>Ø3x14 mm</p>	<p>T X 1</p>  <p>M6/Ø20 mm</p>		

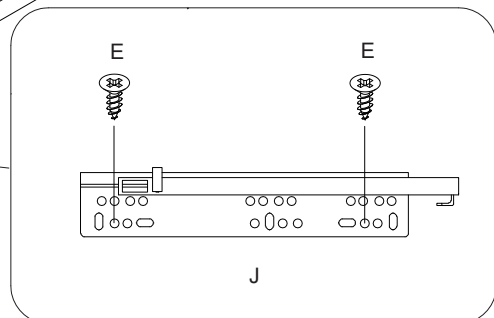
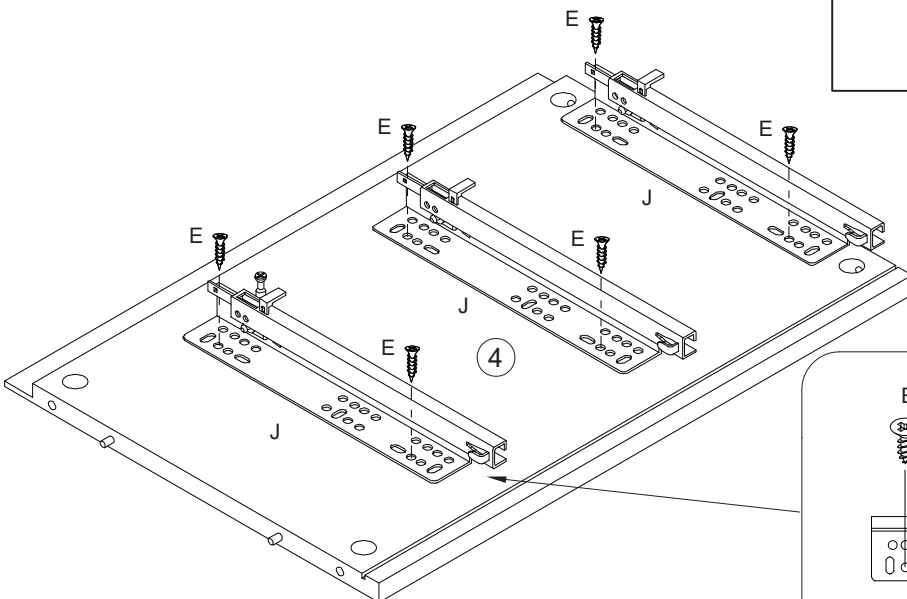
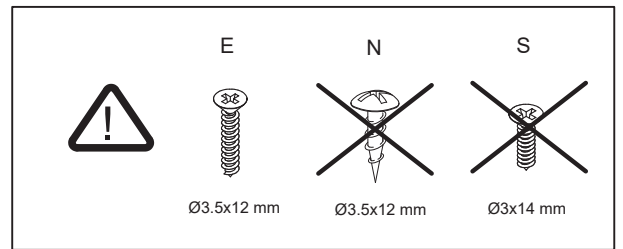
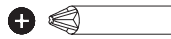
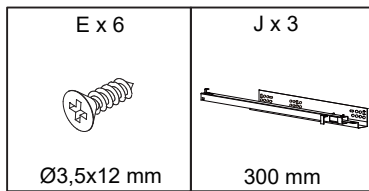
1



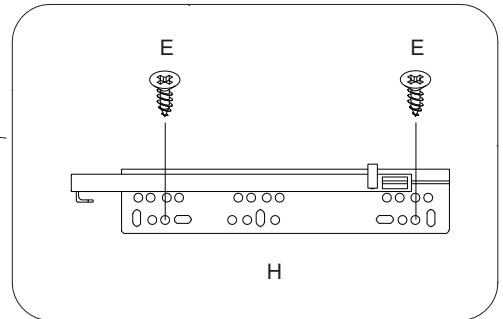
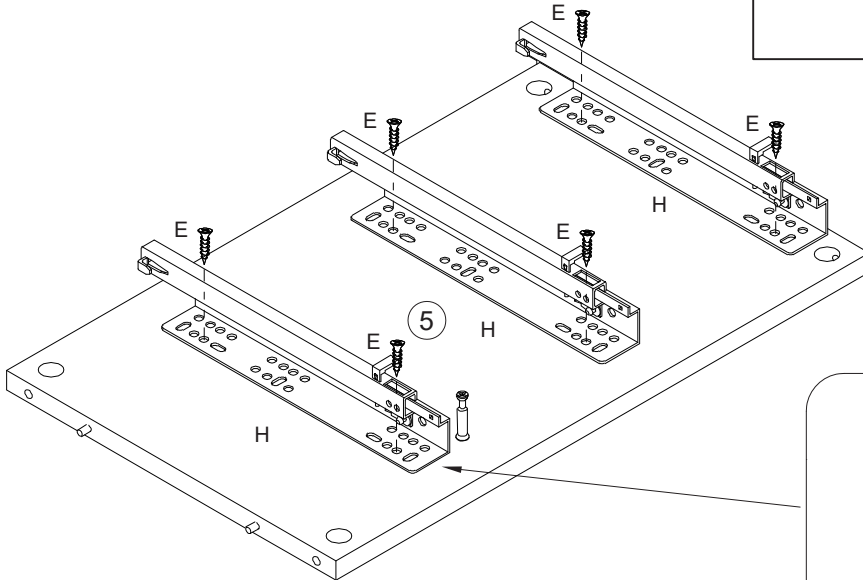
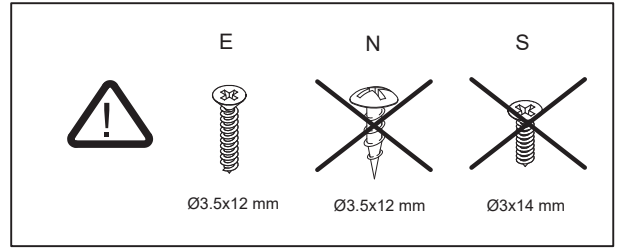
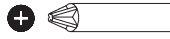
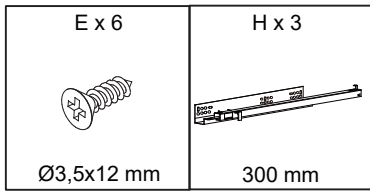
2



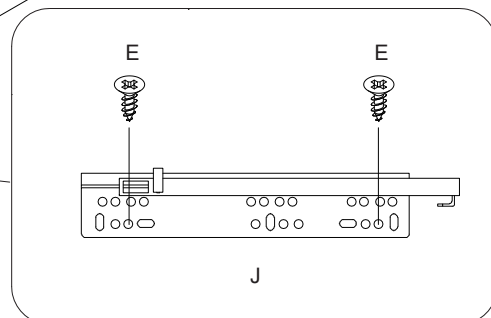
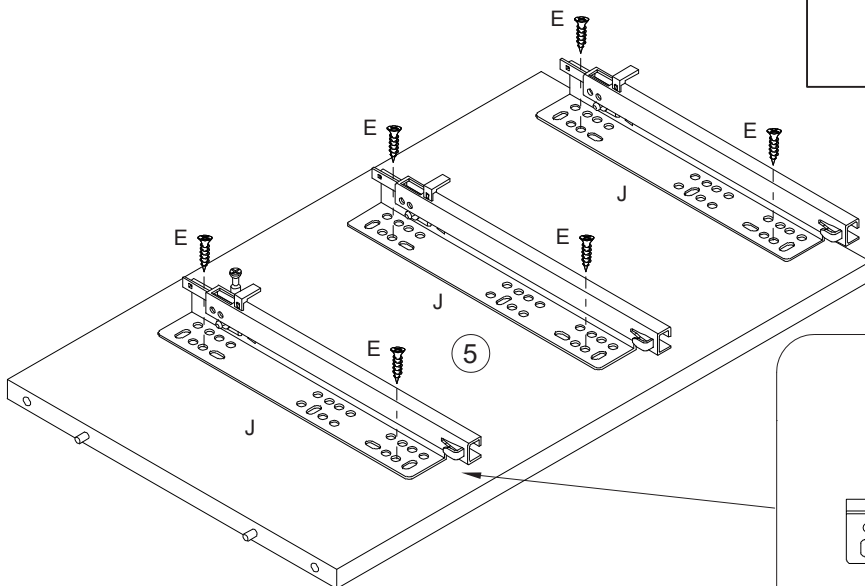
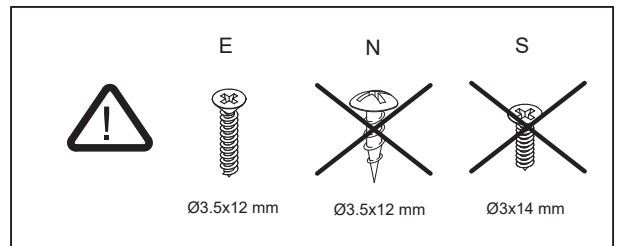
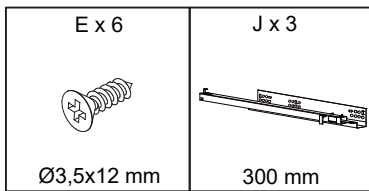
3



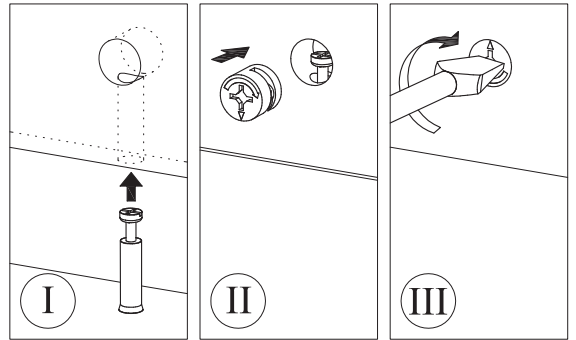
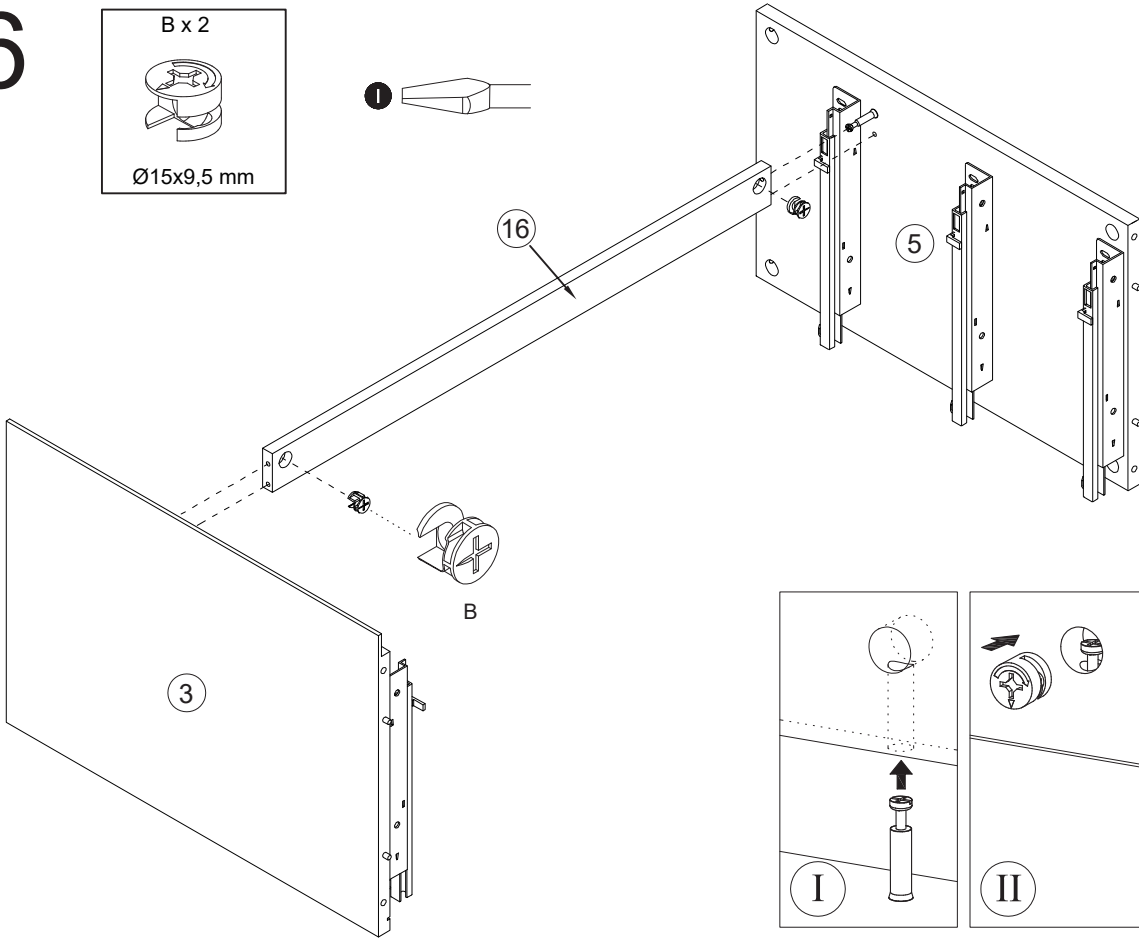
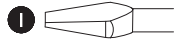
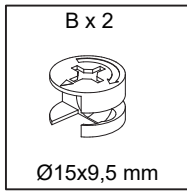
4



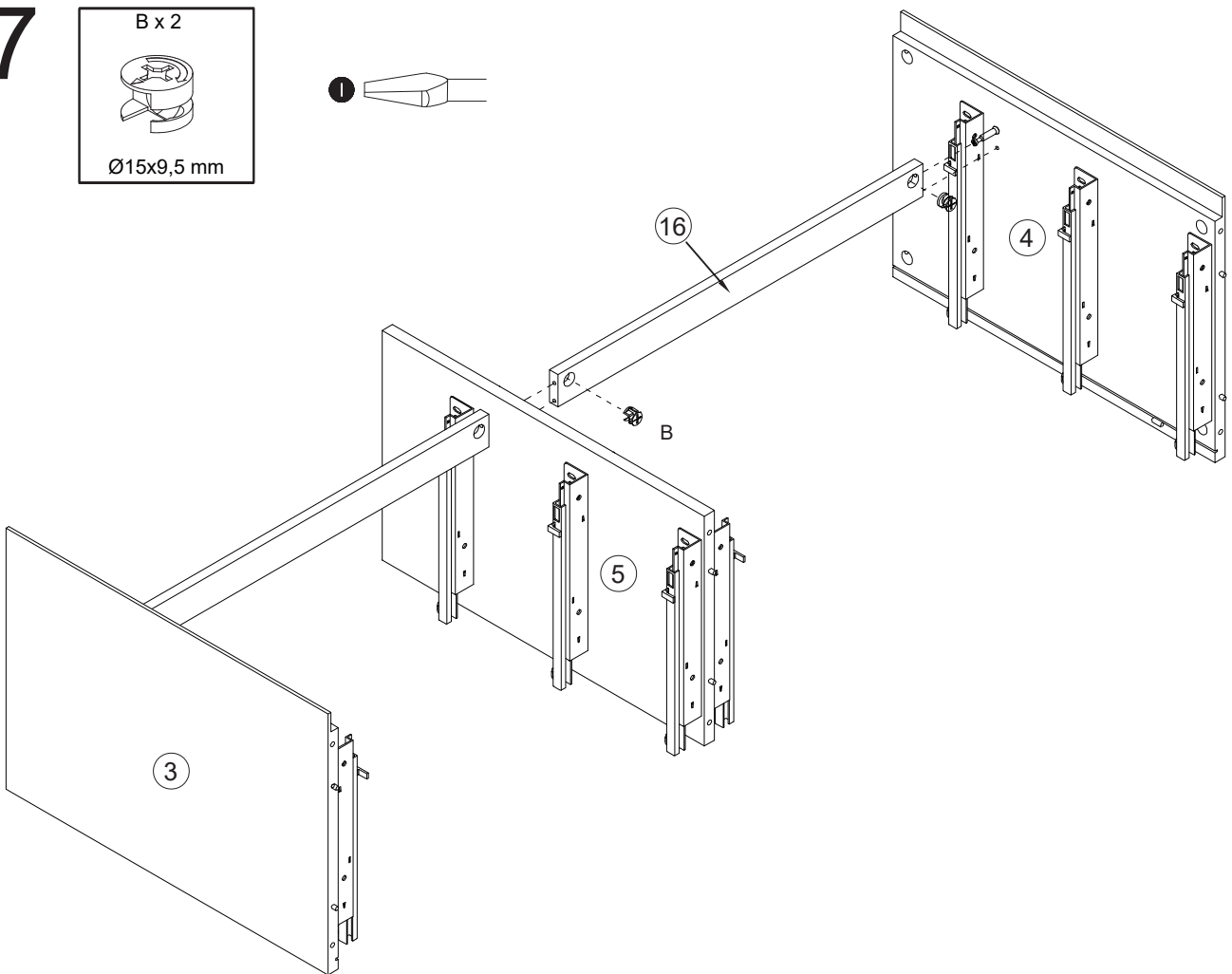
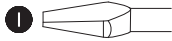
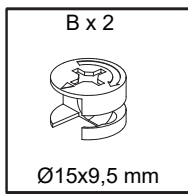
5



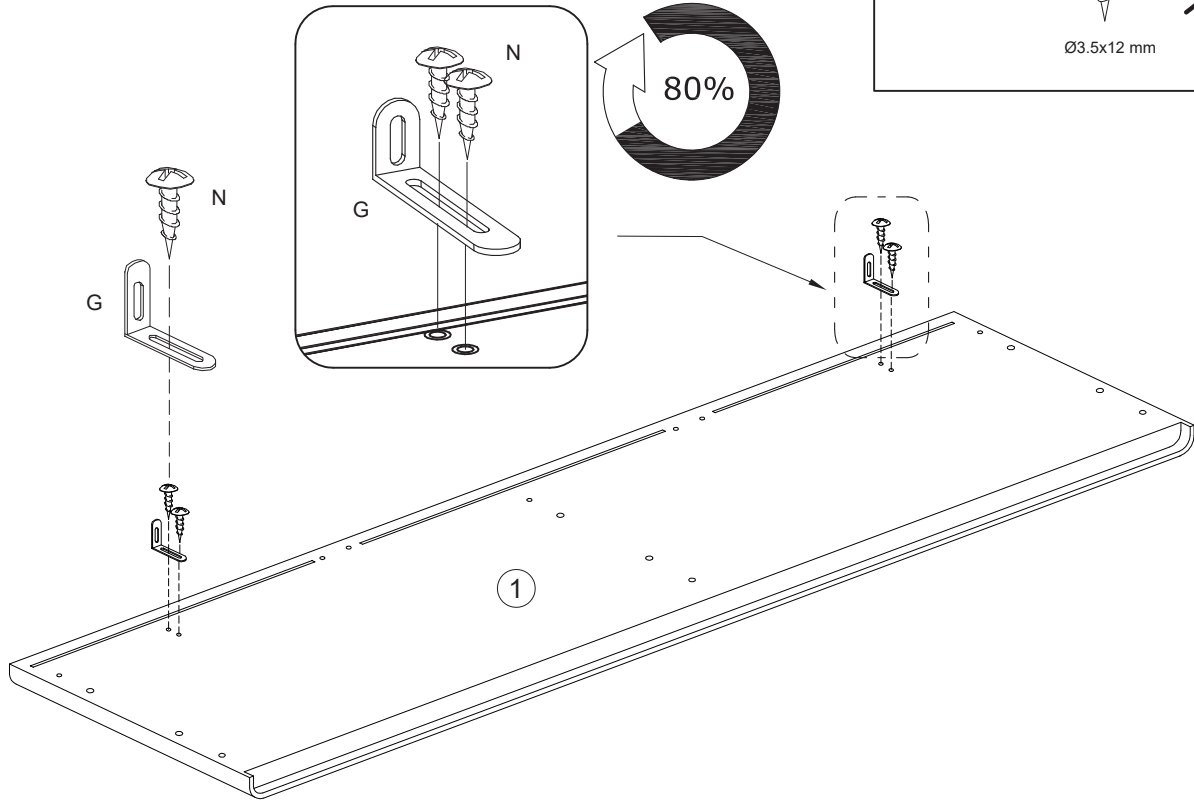
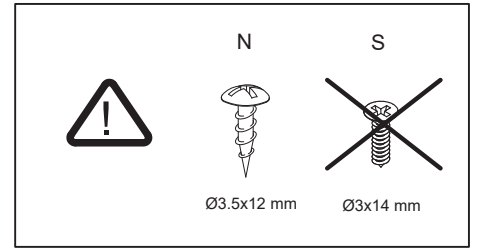
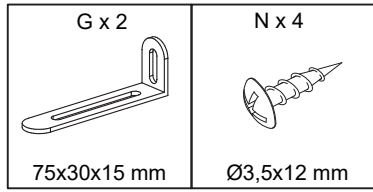
6



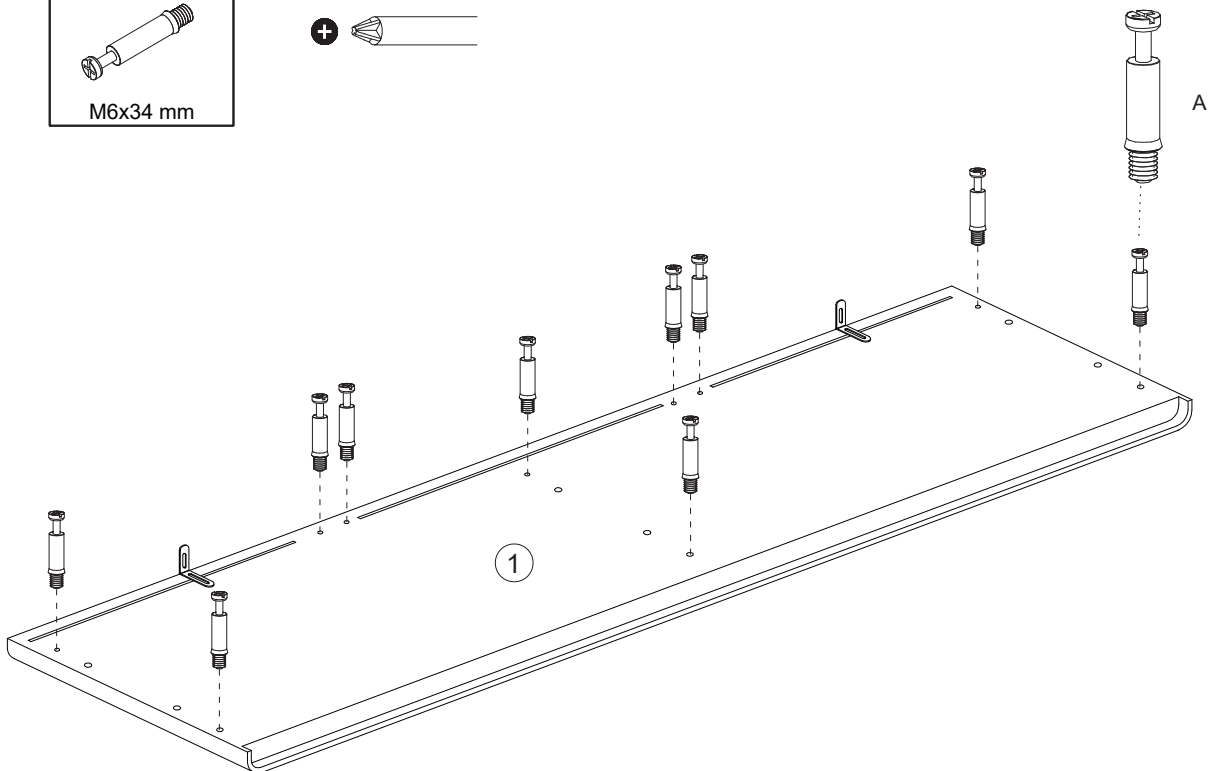
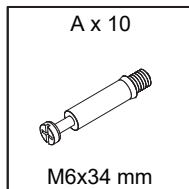
7



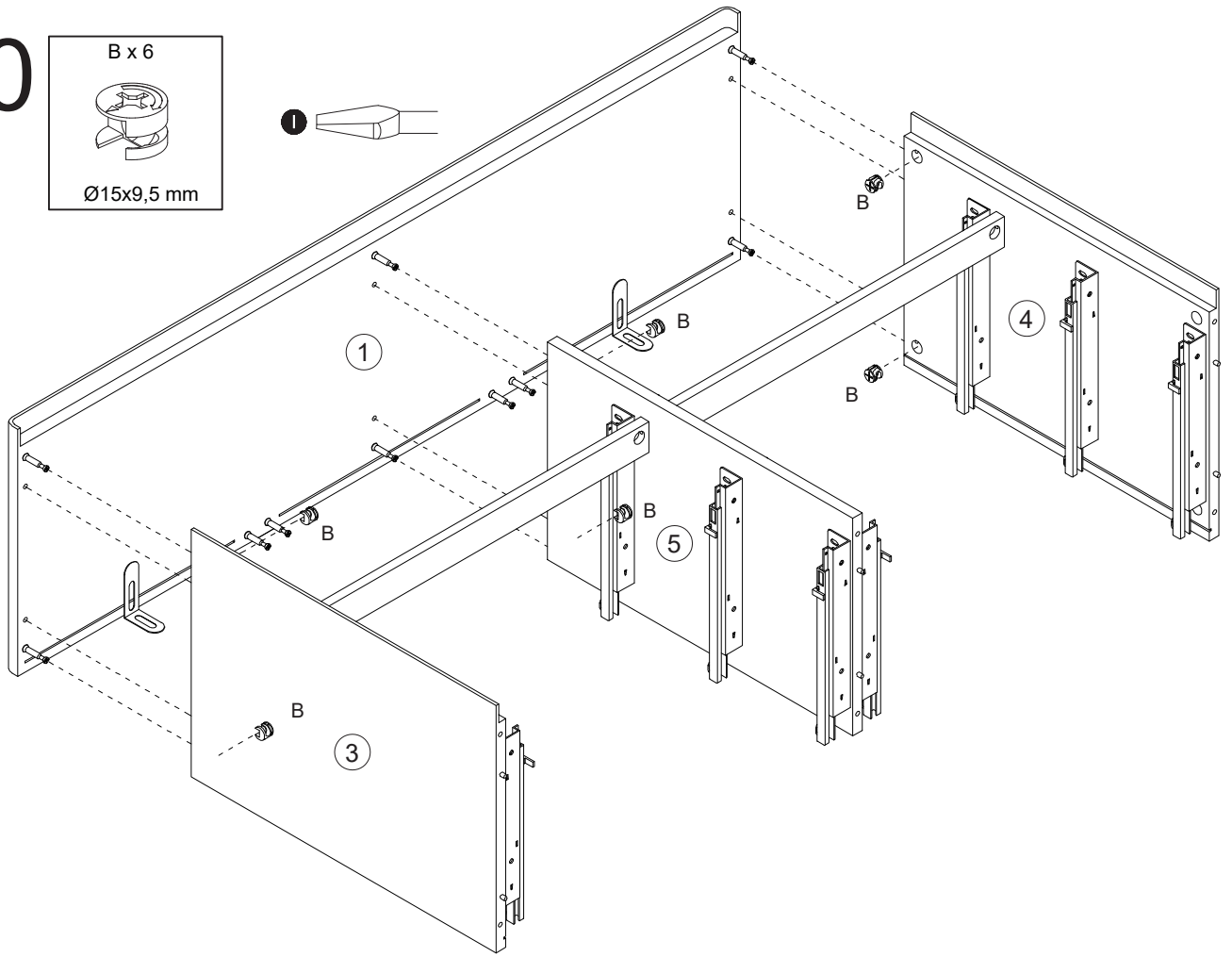
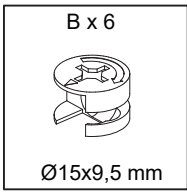
8



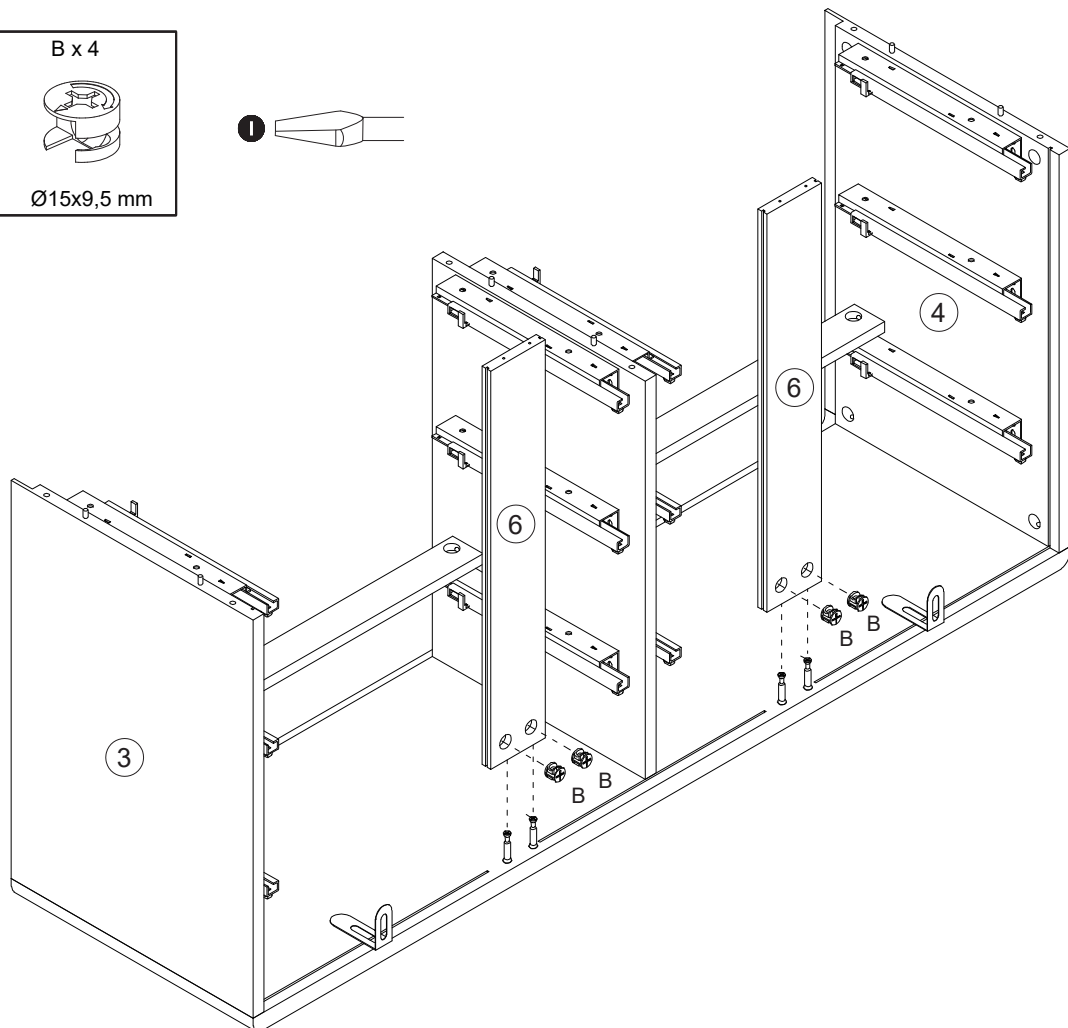
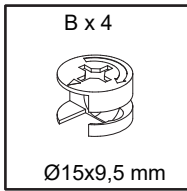
9



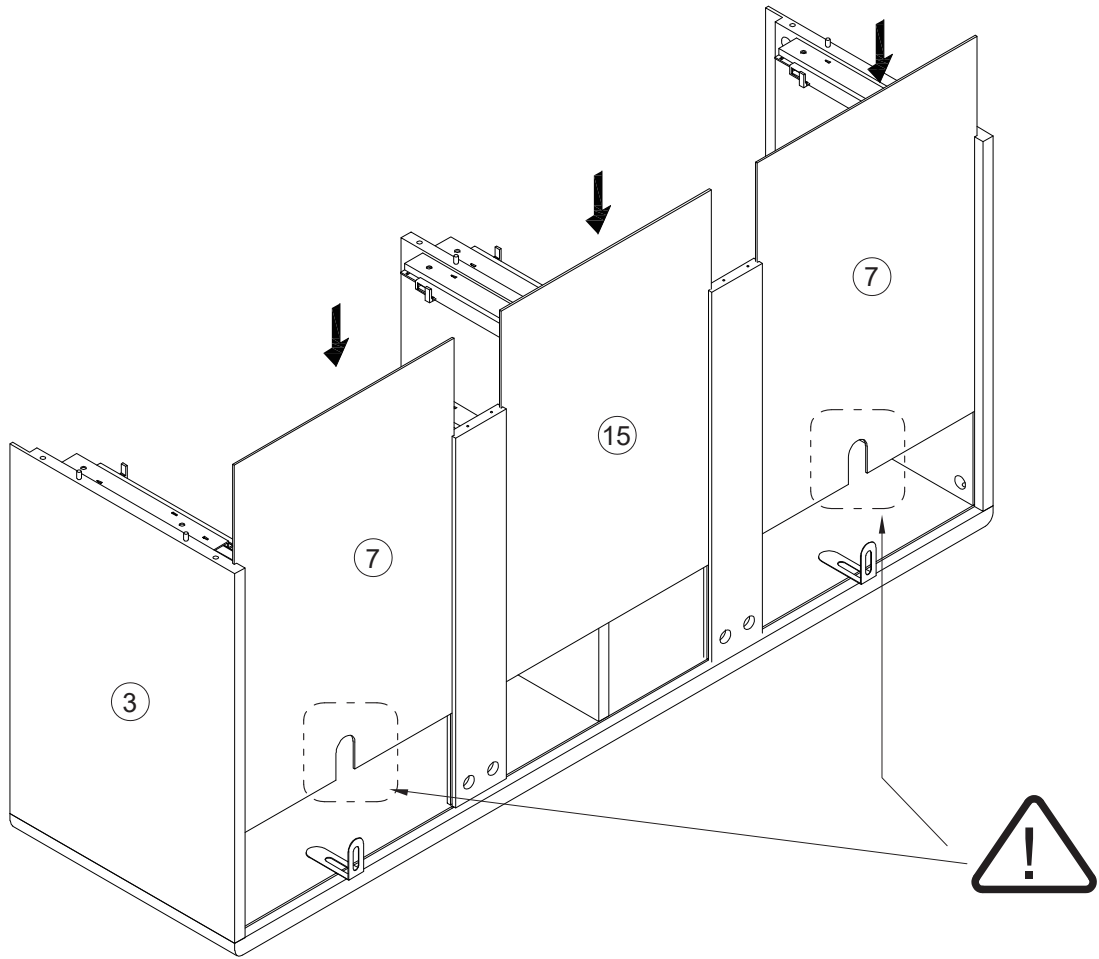
10



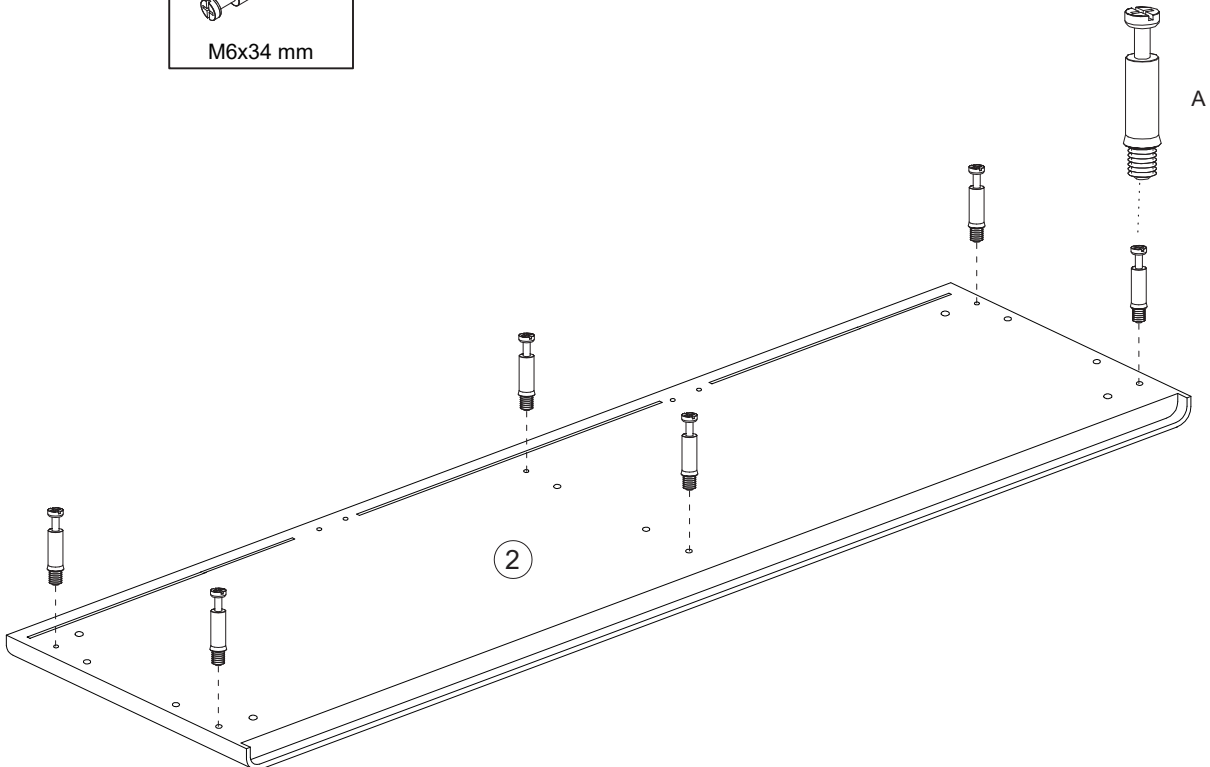
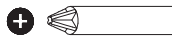
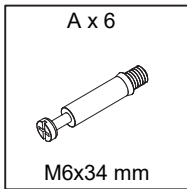
11



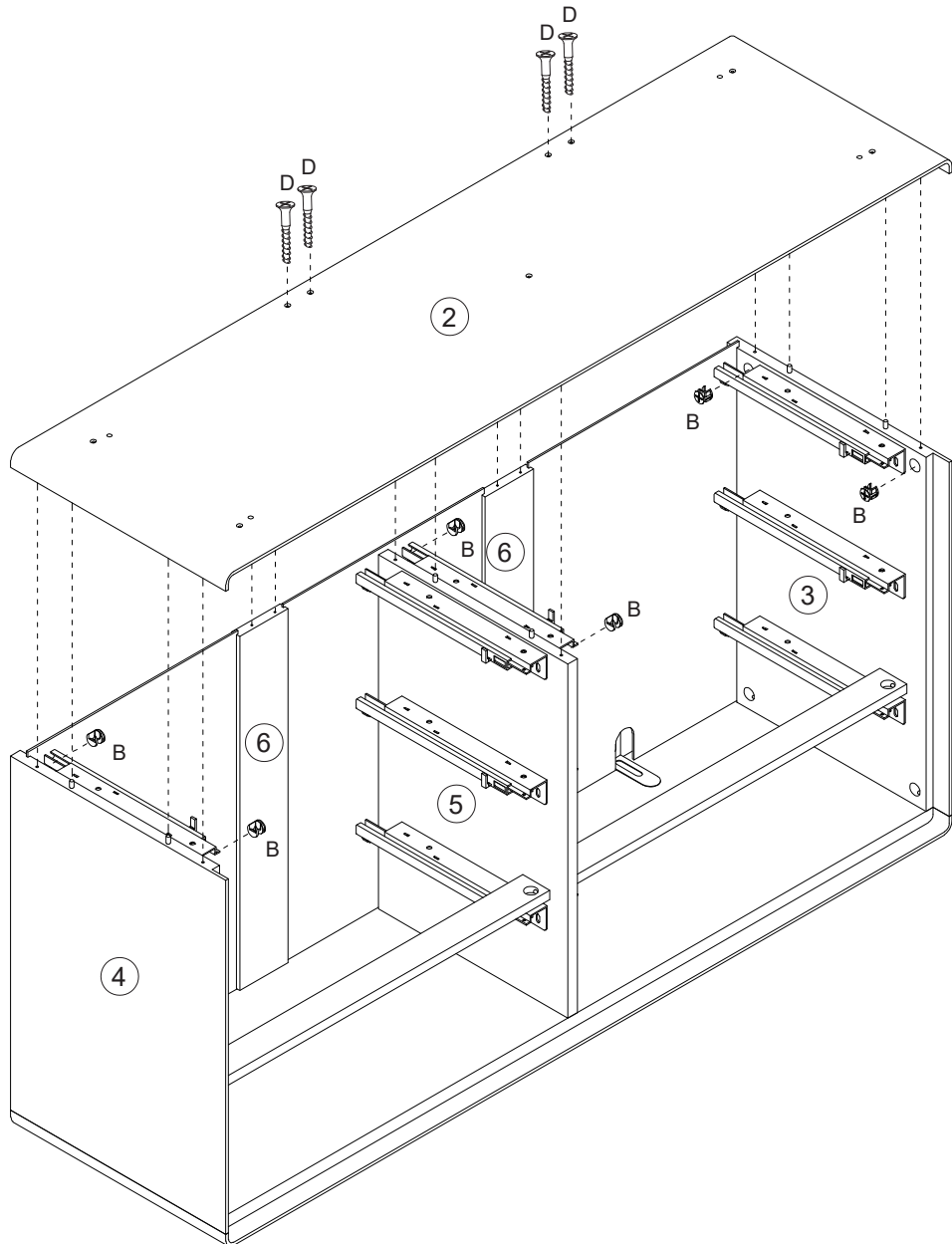
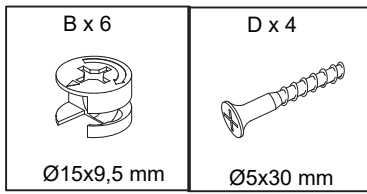
12



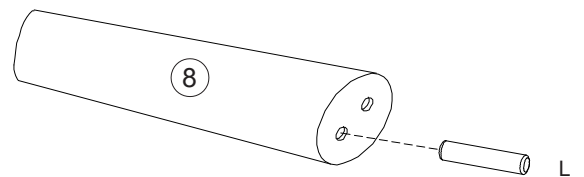
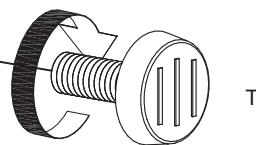
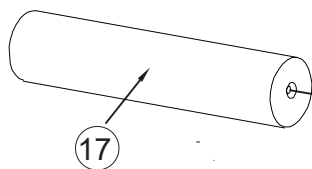
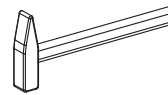
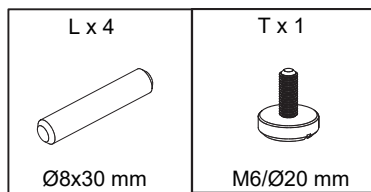
13



14

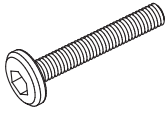





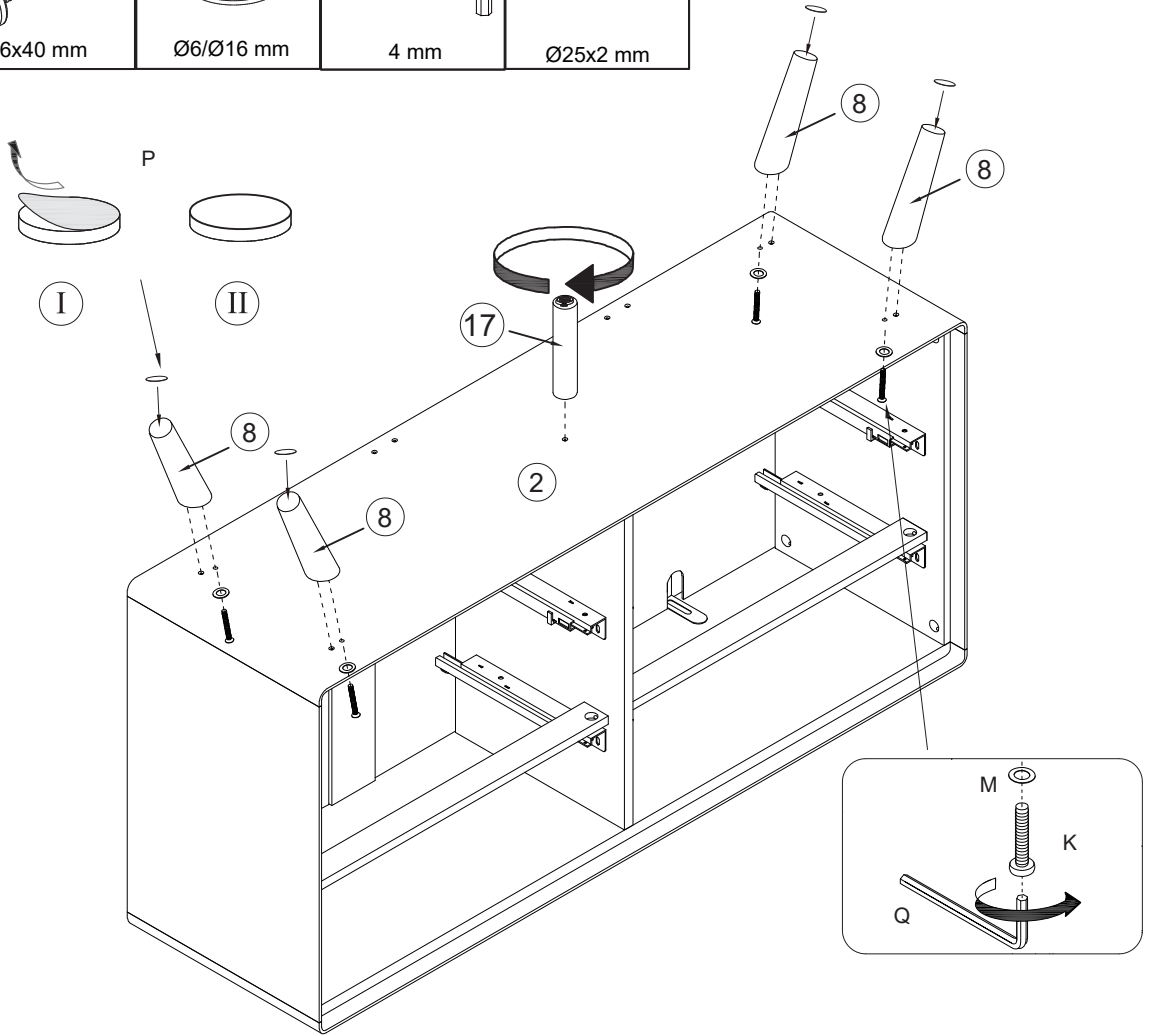
15



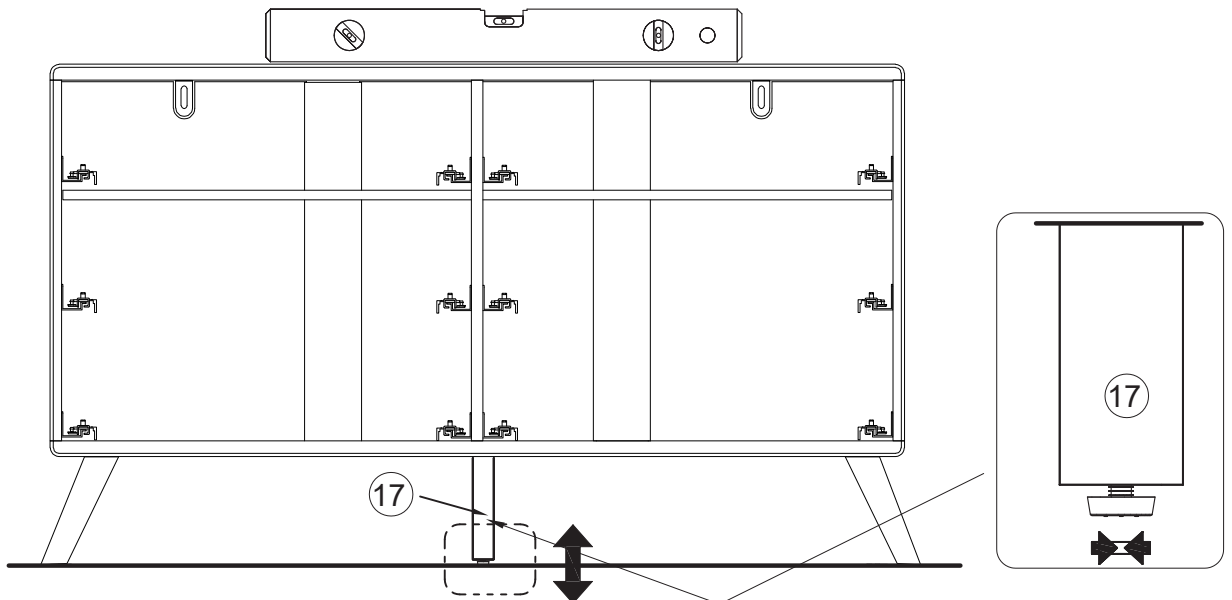
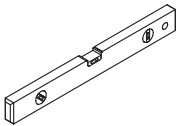
x4

16

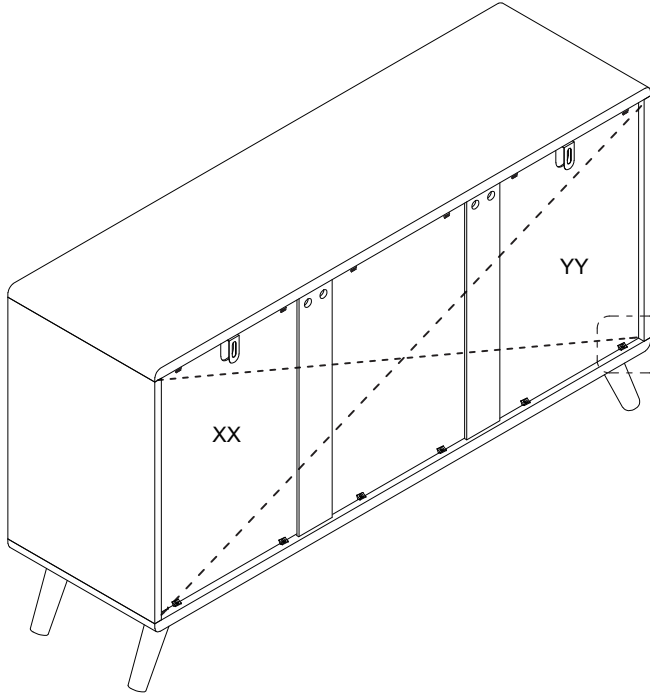
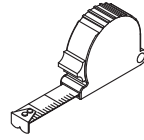
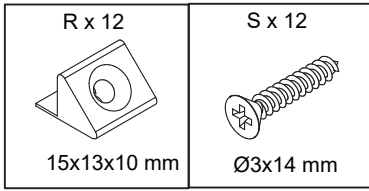
K x 4  M6x40 mm	M x 4  Ø6/Ø16 mm	Q x 1  4 mm	P x 4  Ø25x2 mm
--	---	--	--



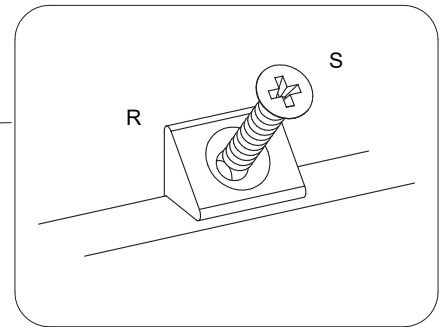
17



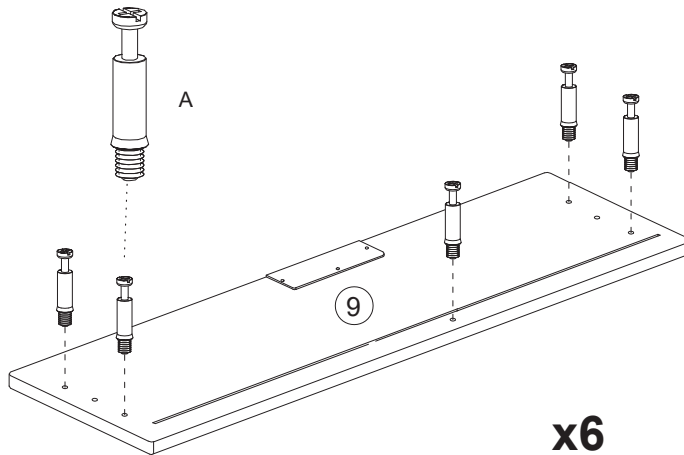
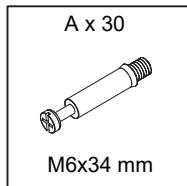
18



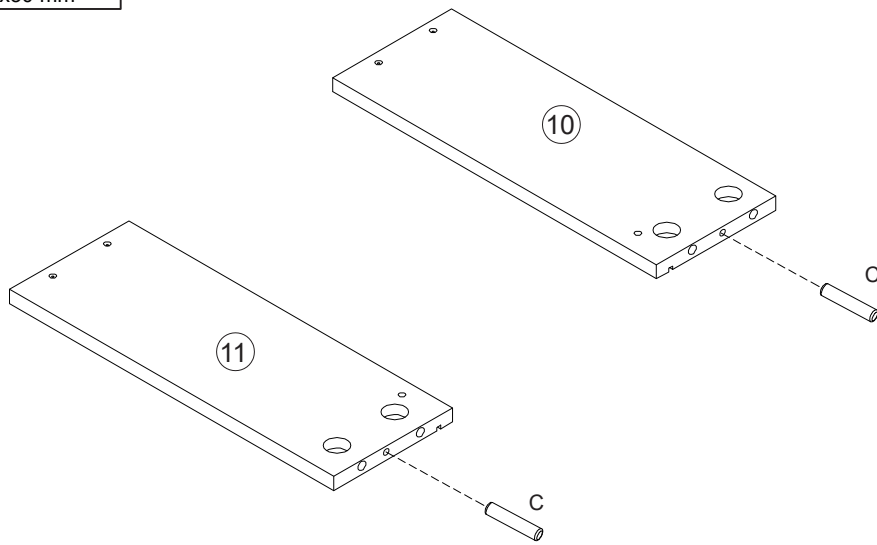
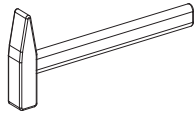
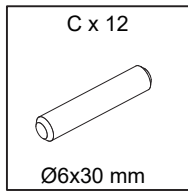
XX=YY



19

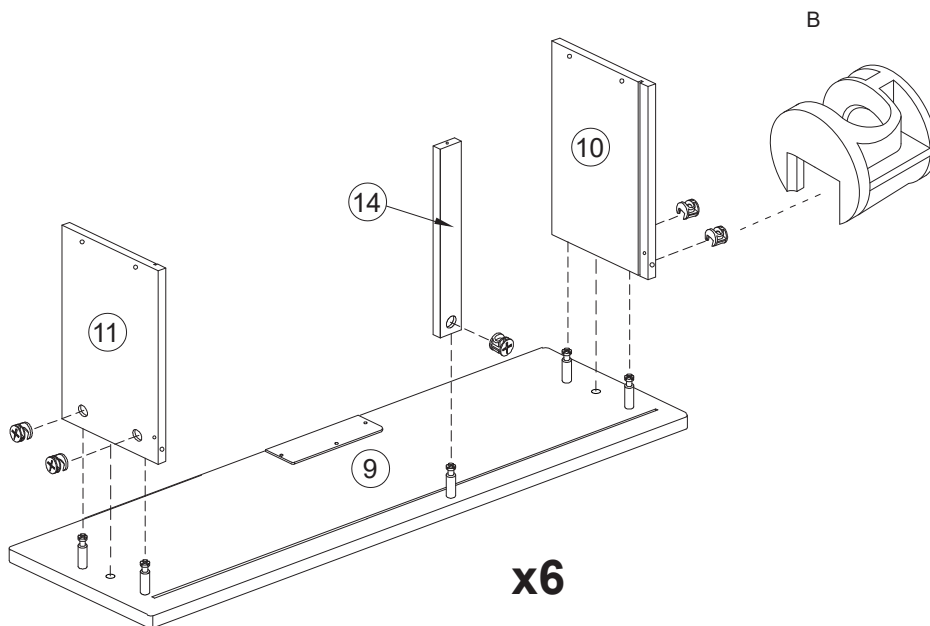
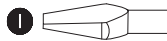
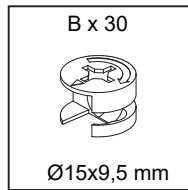


20



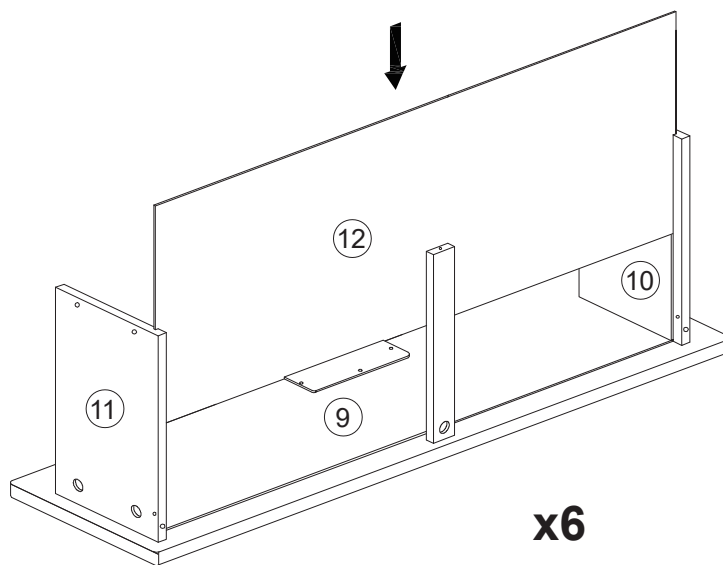
x6

21

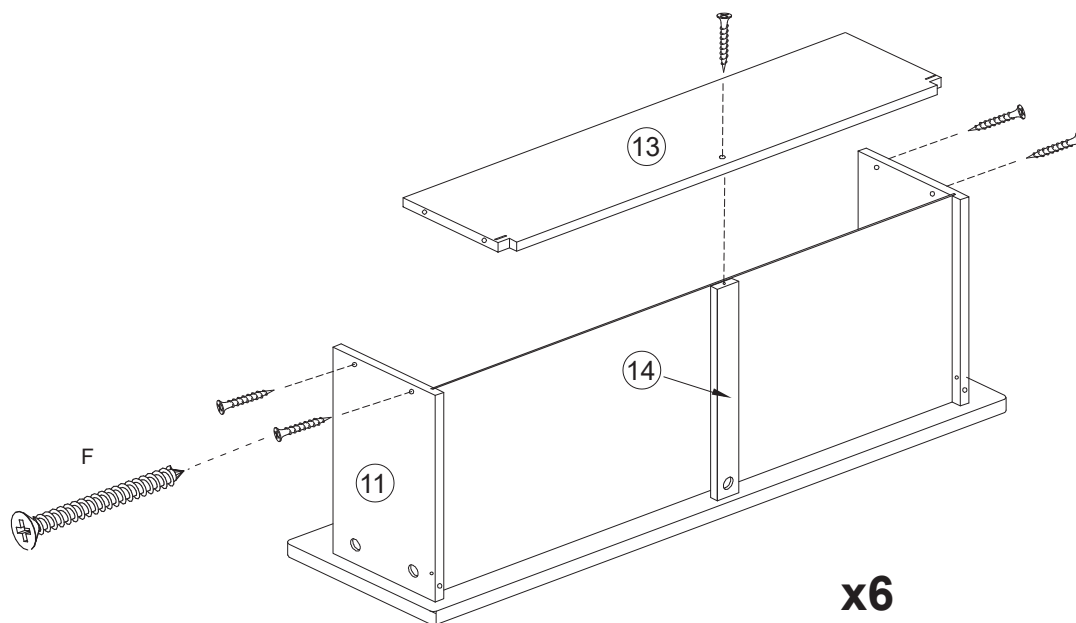
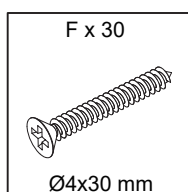


x6

22

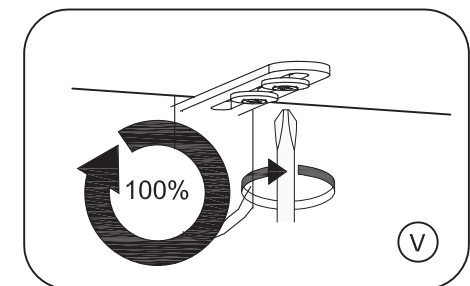
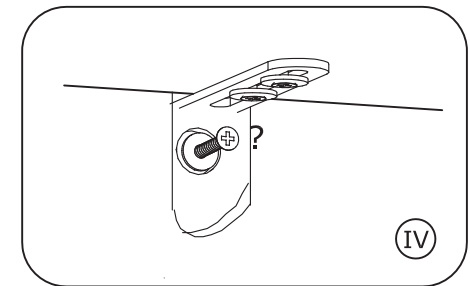
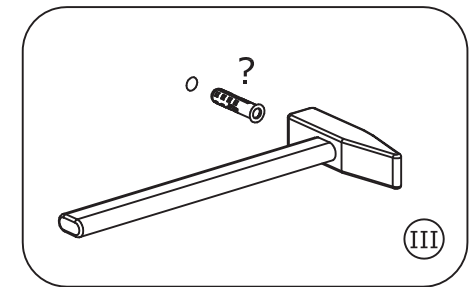
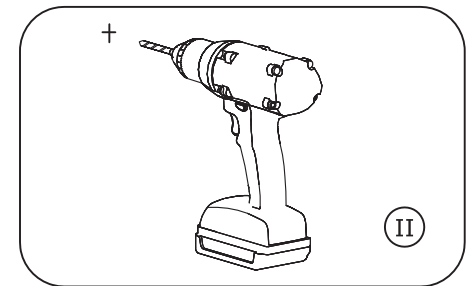
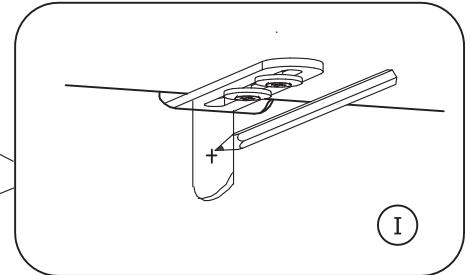
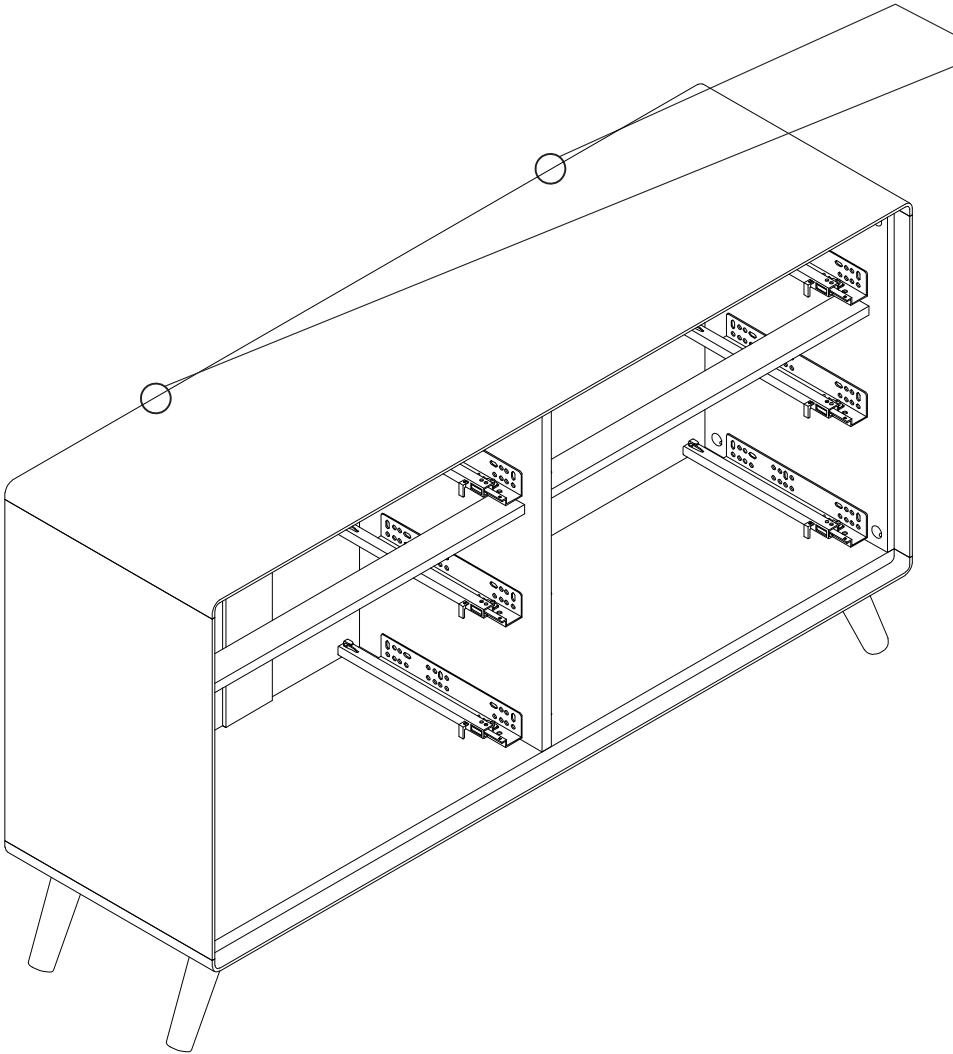
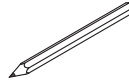


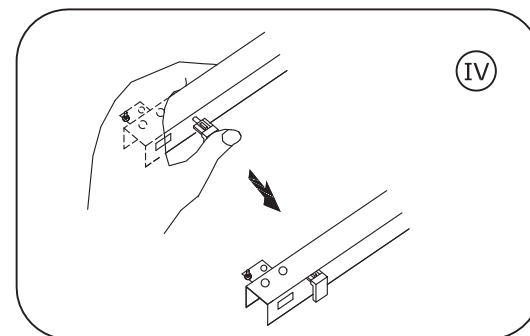
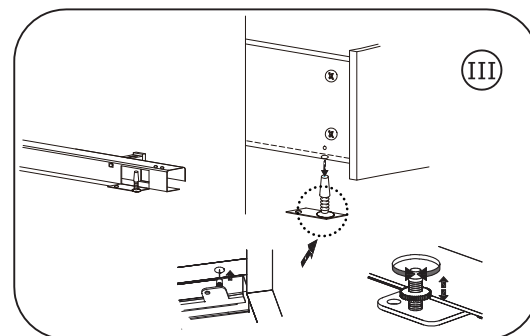
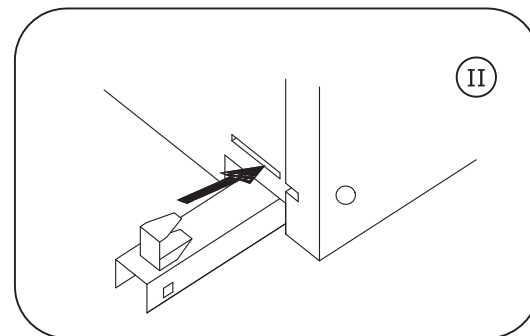
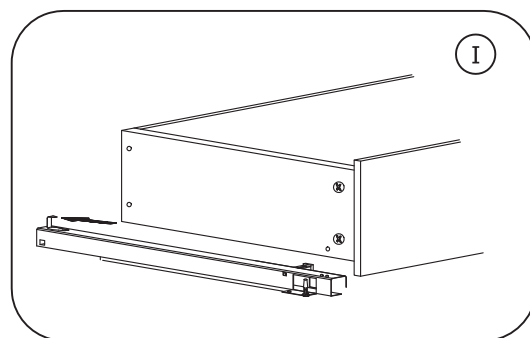
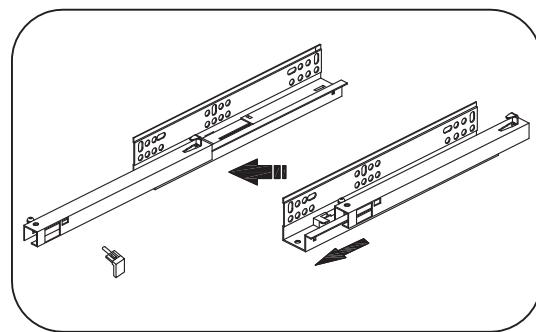
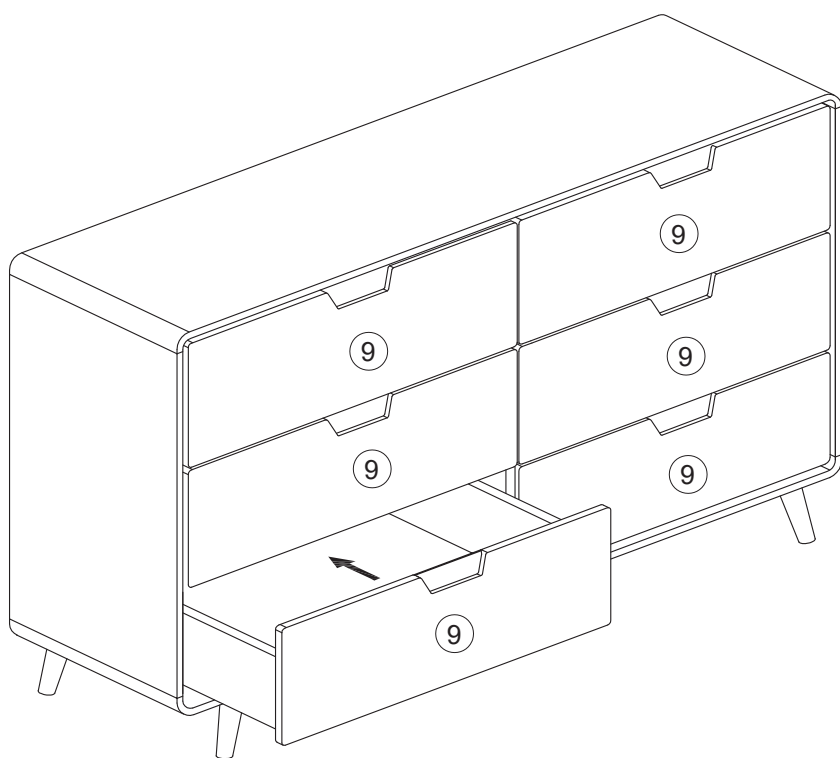
23



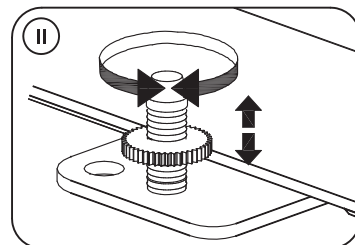
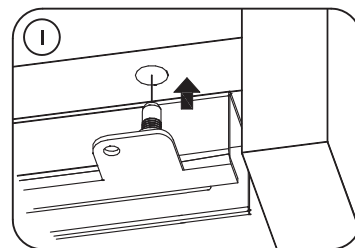
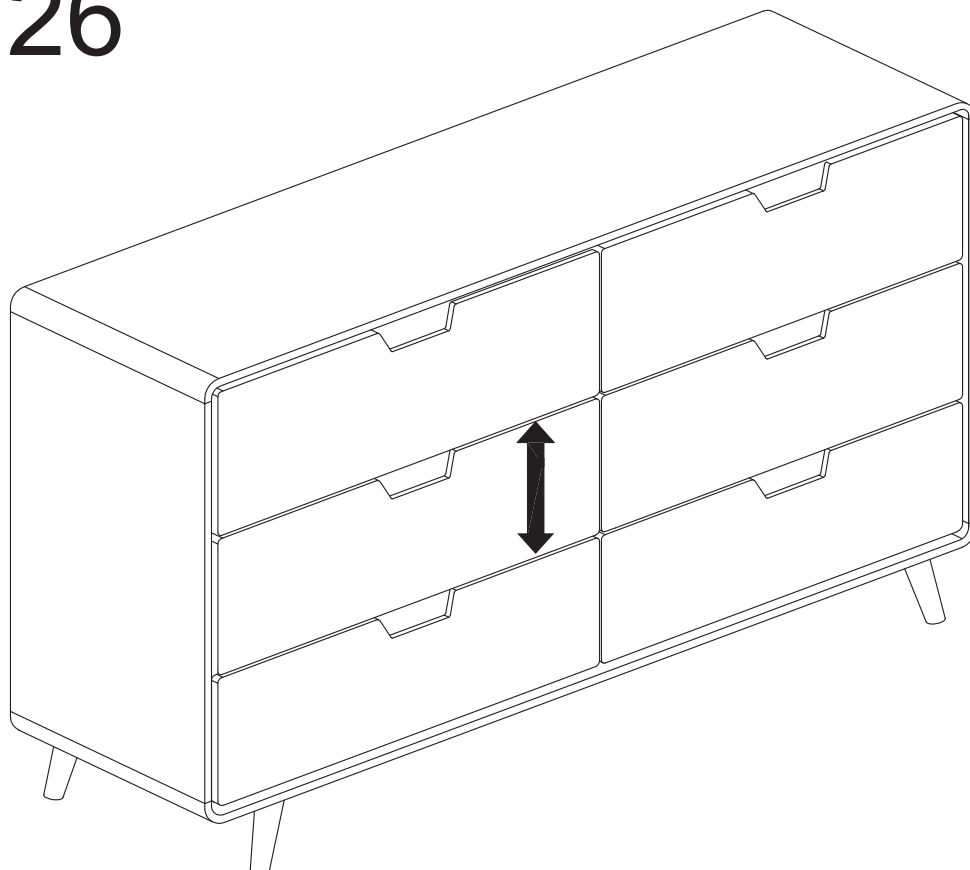
24

+





26



27

