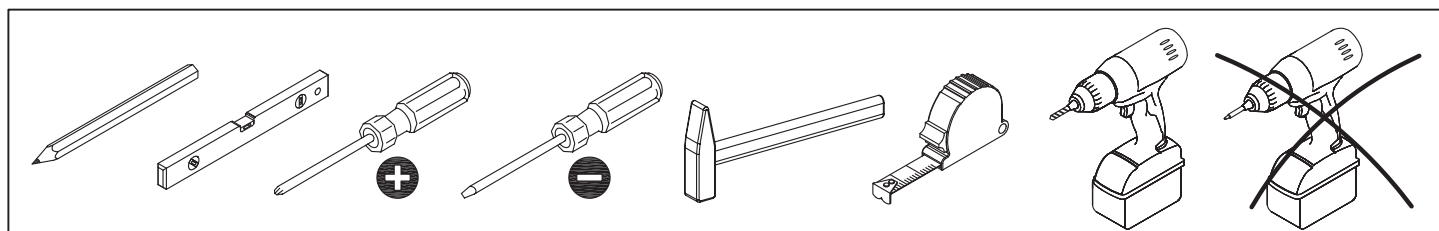
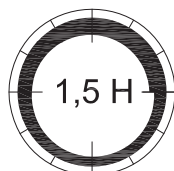
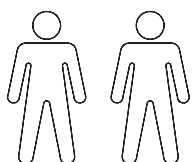
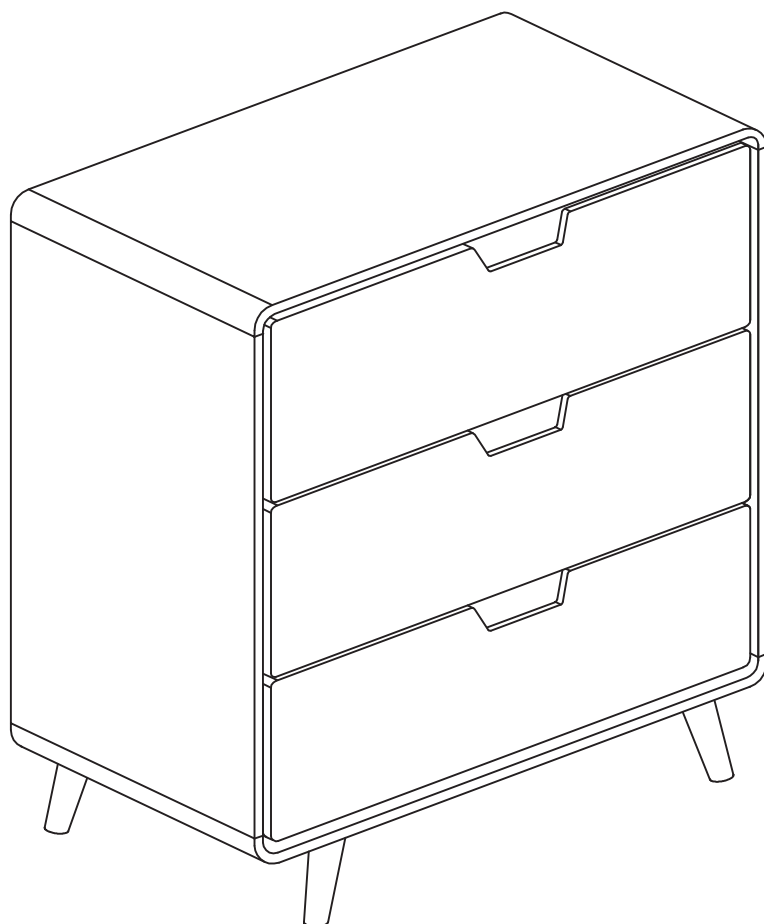
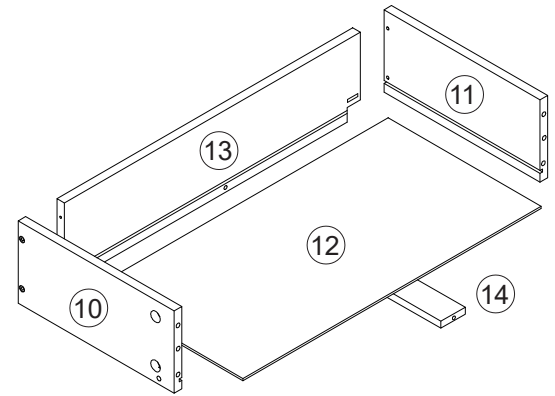
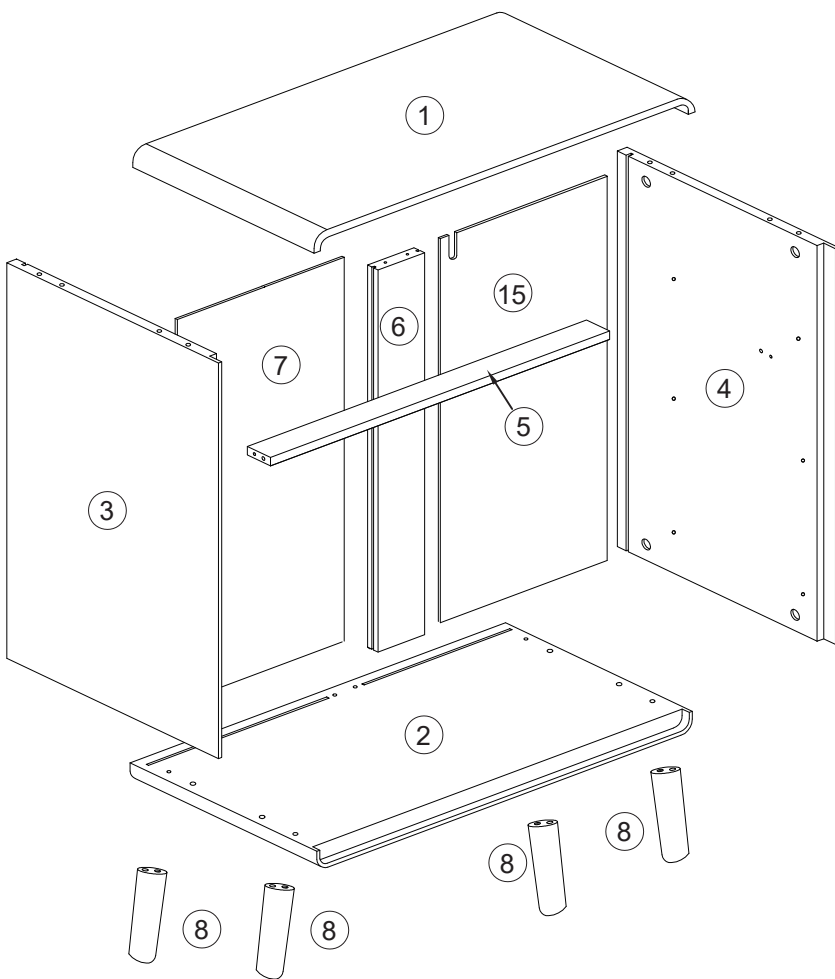


LOWELL

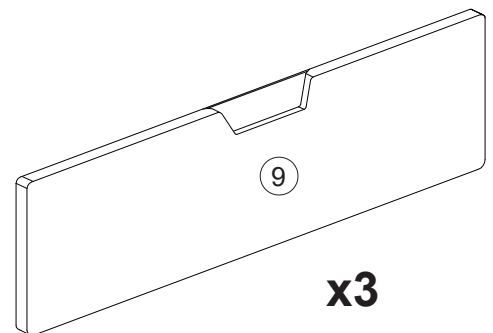


			✓
①	1	800X400X25	
②	1	800X400X25	
③	1	570X400X18	
④	1	570X400X18	
⑤	1	760X50X15	
⑥	1	570X90X15	
⑦	1	580X344X3	
⑧	4	Ø50X187	

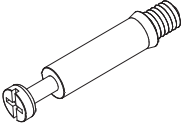
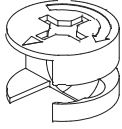
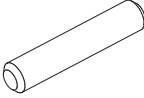
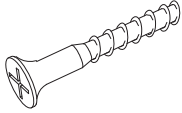
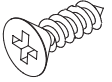
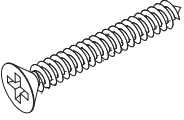
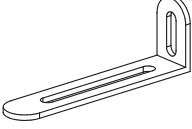
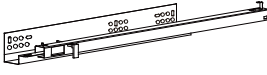
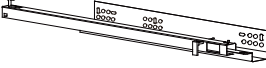
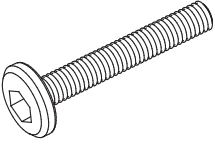
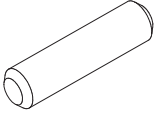

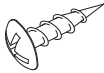


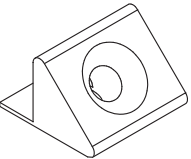
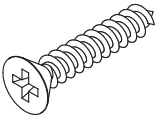
			✓
⑨	3	770X195X15	
⑩	3	330X135X12	
⑪	3	330X135X12	
⑫	3	726X326X3	
⑬	3	720X135X12	
⑭	3	318X50X12	
⑮	1	580X344X3	



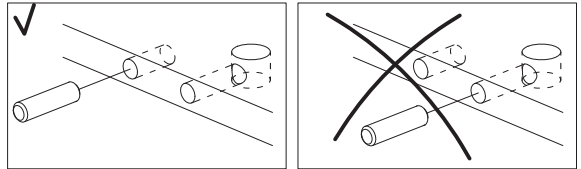
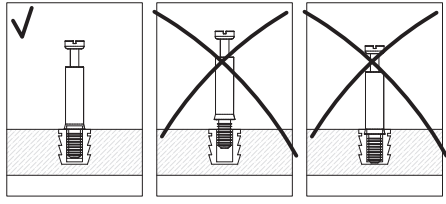
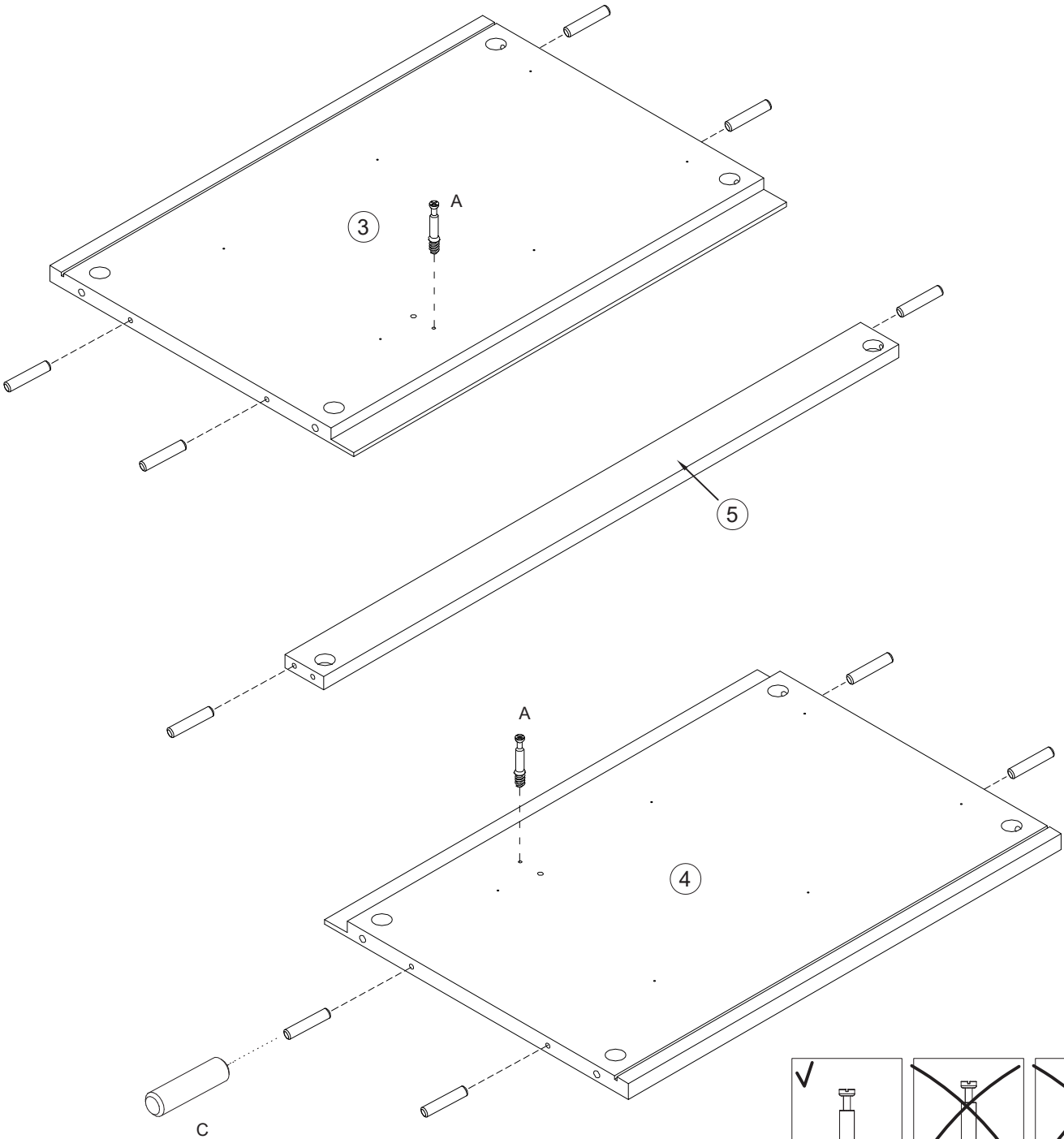
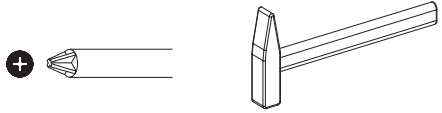
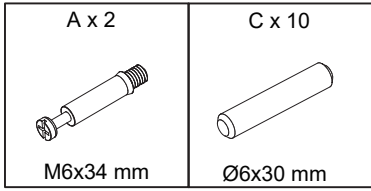
x3



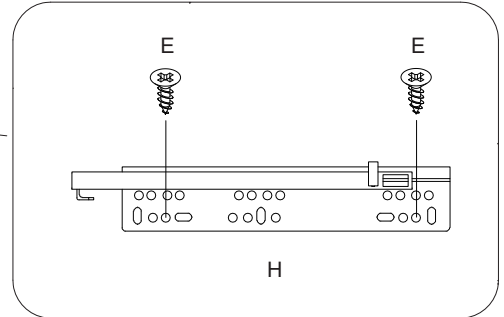
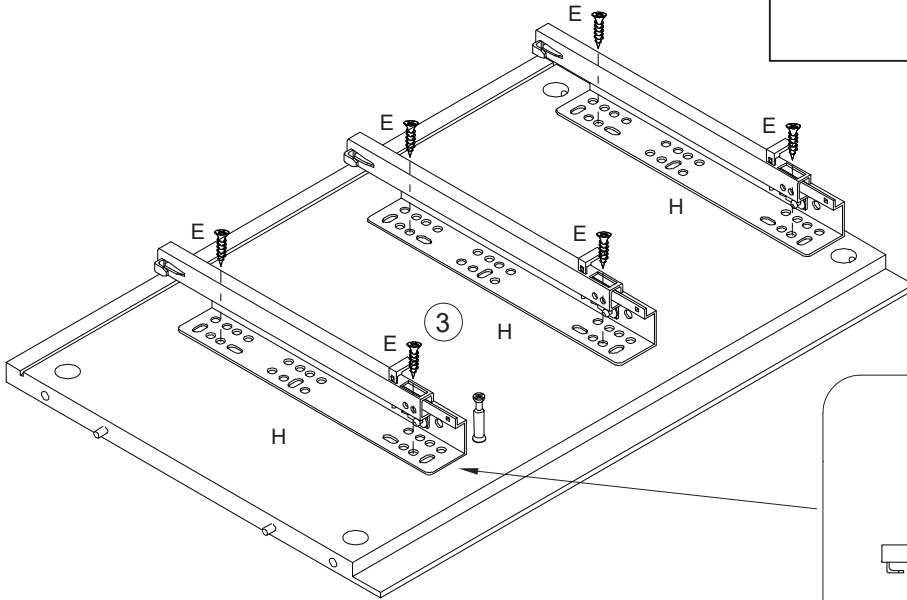
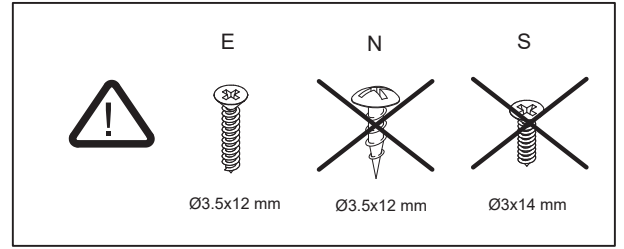
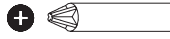
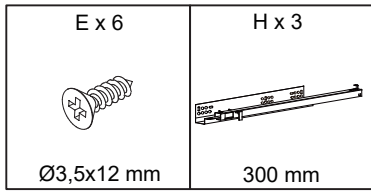
x3

<p>A X 27</p>  <p>M6/34 mm</p>	<p>B X 27</p>  <p>Ø15x9,5 mm</p>	<p>C X 16</p>  <p>Ø6x30 mm</p>	<p>D X 2</p>  <p>Ø5x40 mm</p>	<p>E X 12</p>  <p>Ø3,5x12 mm</p>
<p>F X 15</p>  <p>Ø4x30 mm</p>	<p>G X 1</p>  <p>75x30x15 mm</p>	<p>H X 3</p>  <p>300 mm</p>	<p>J X 3</p>  <p>300 mm</p>	<p>K X 4</p>  <p>M6x40 mm</p>
<p>L X 4</p>  <p>Ø8x30 mm</p>	<p>M X 4</p>  <p>Ø6/Ø16 mm</p>	<p>N X 2</p>  <p>Ø3.5x12 mm</p>	<p>P X 4</p>  <p>Ø25x2 mm</p>	<p>Q X 1</p>  <p>4 mm</p>
<p>R X 8</p>  <p>15x13x10 mm</p>	<p>S X 8</p>  <p>Ø3x14 mm</p>			

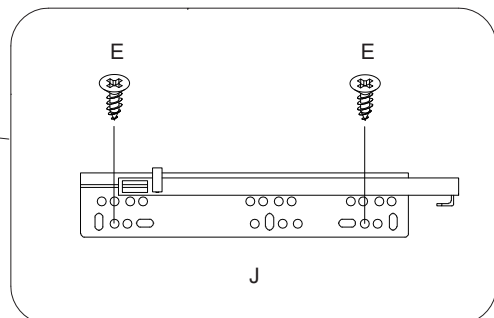
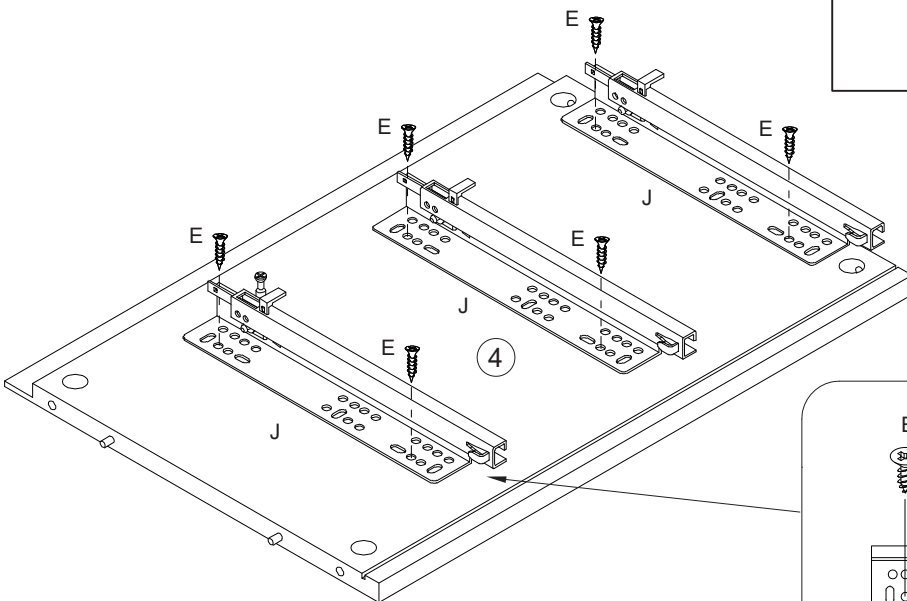
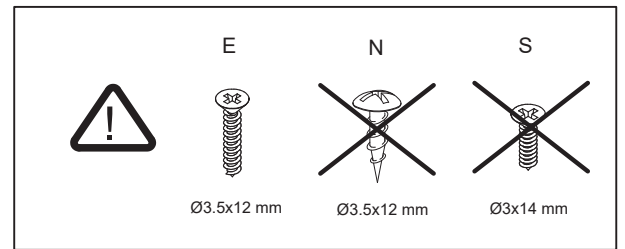
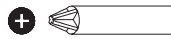
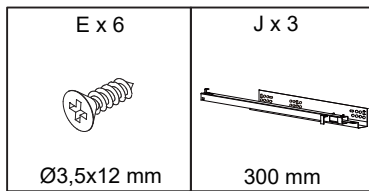
1



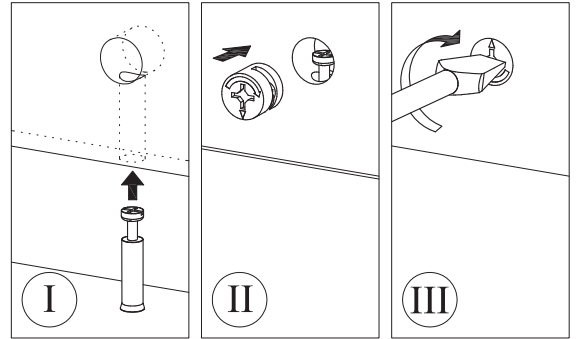
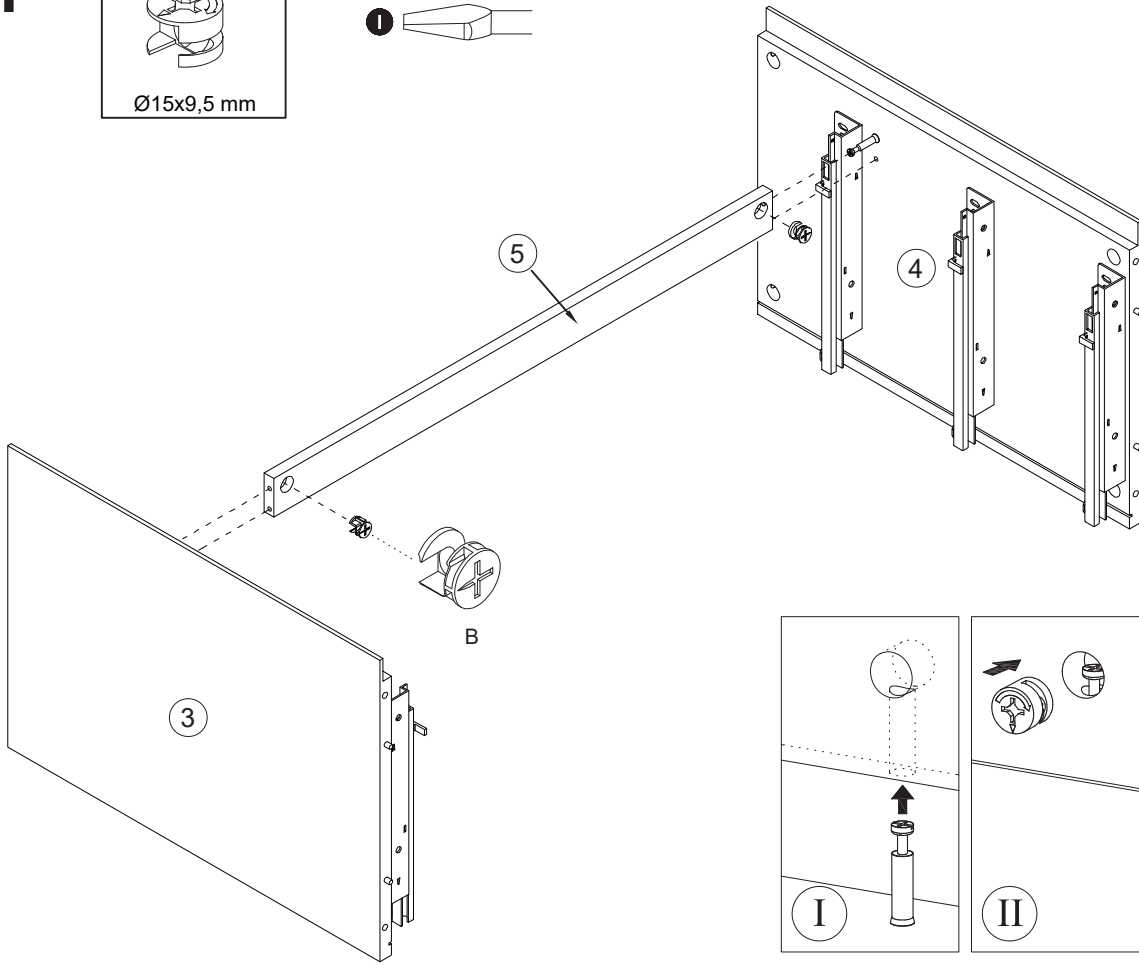
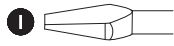
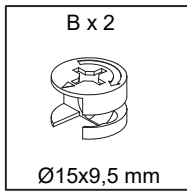
2



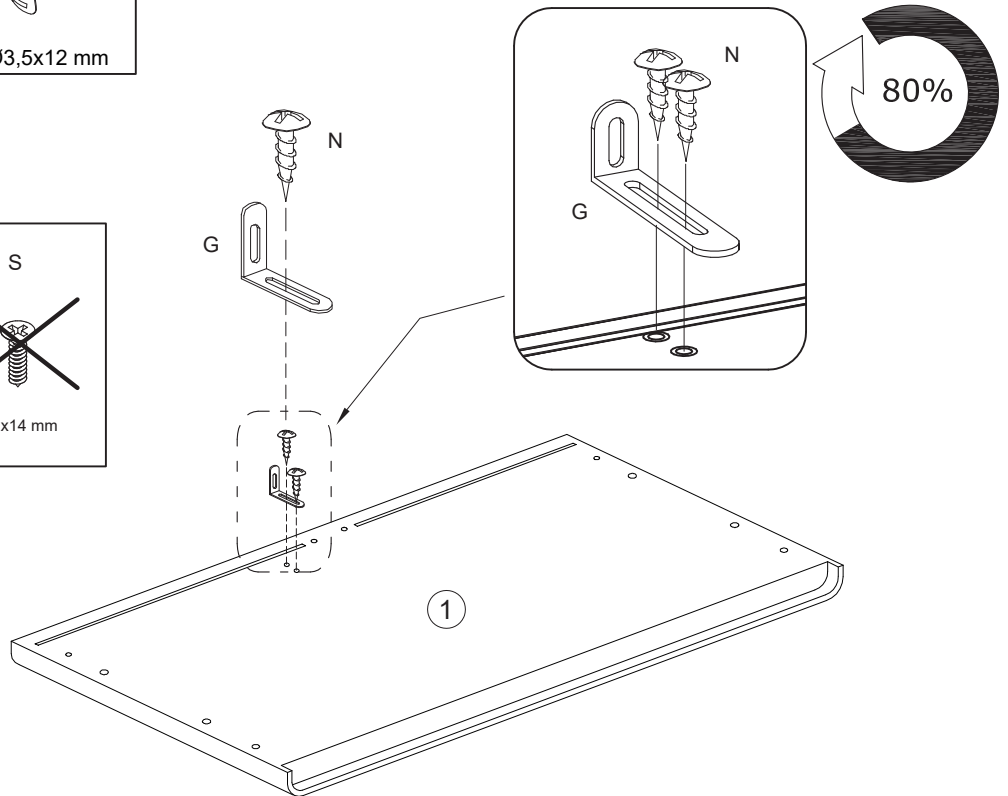
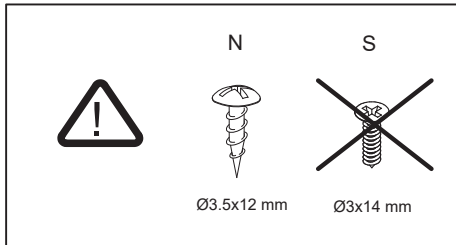
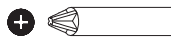
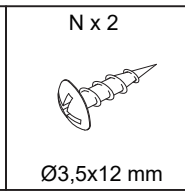
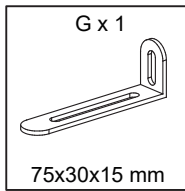
3



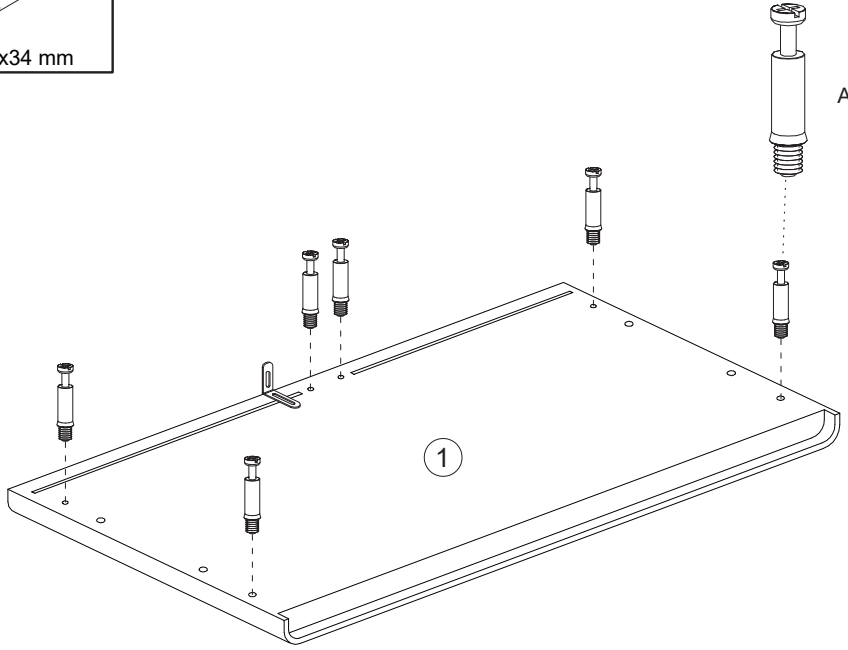
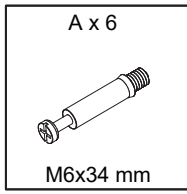
4



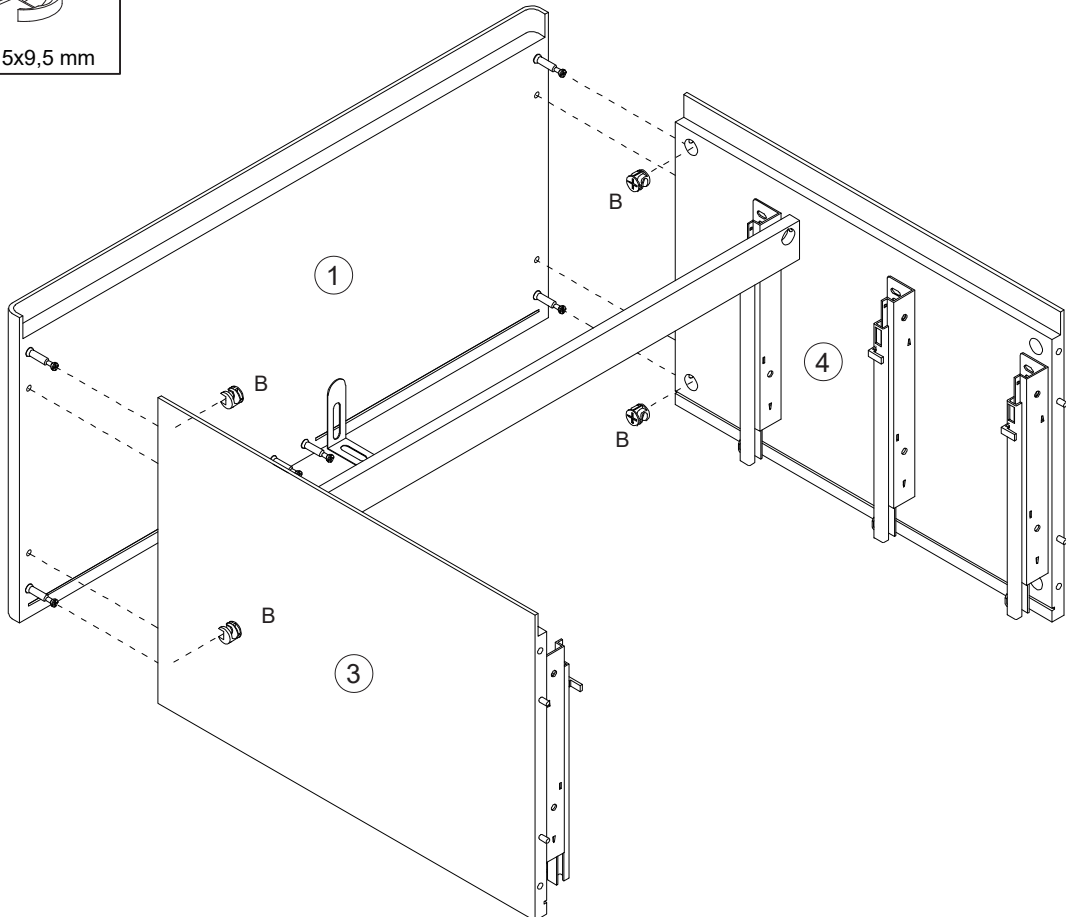
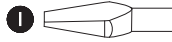
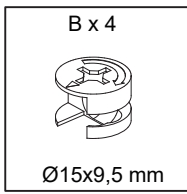
5



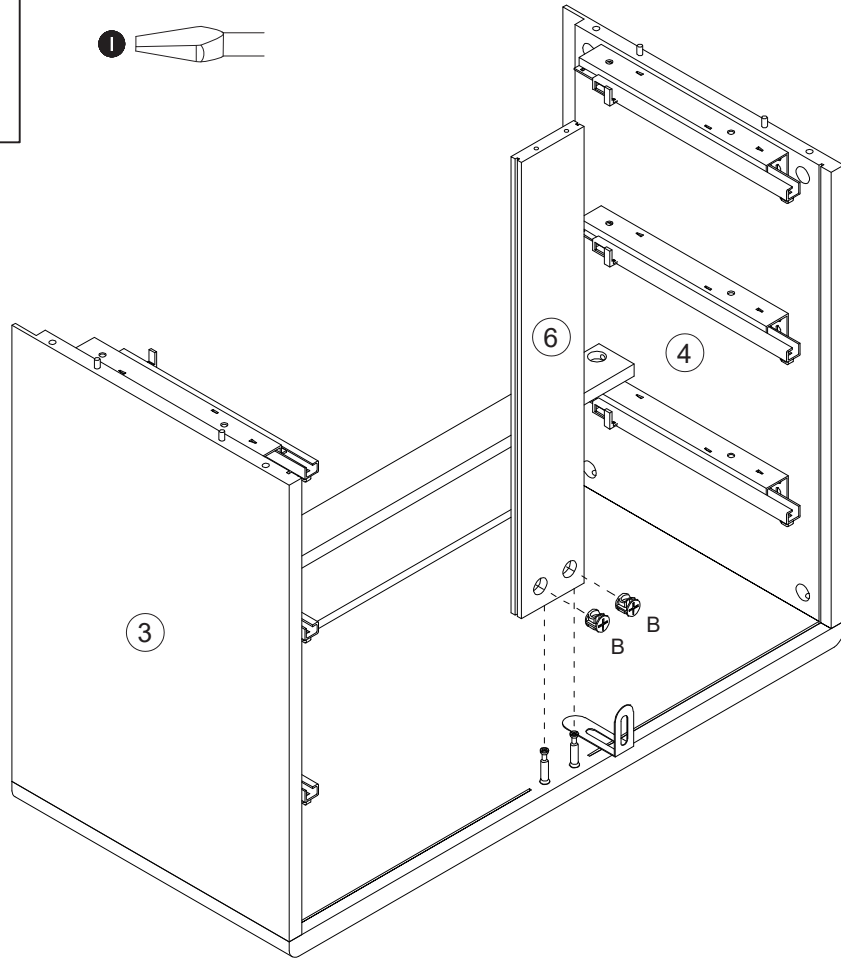
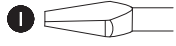
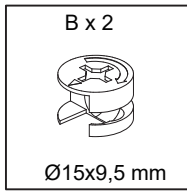
6



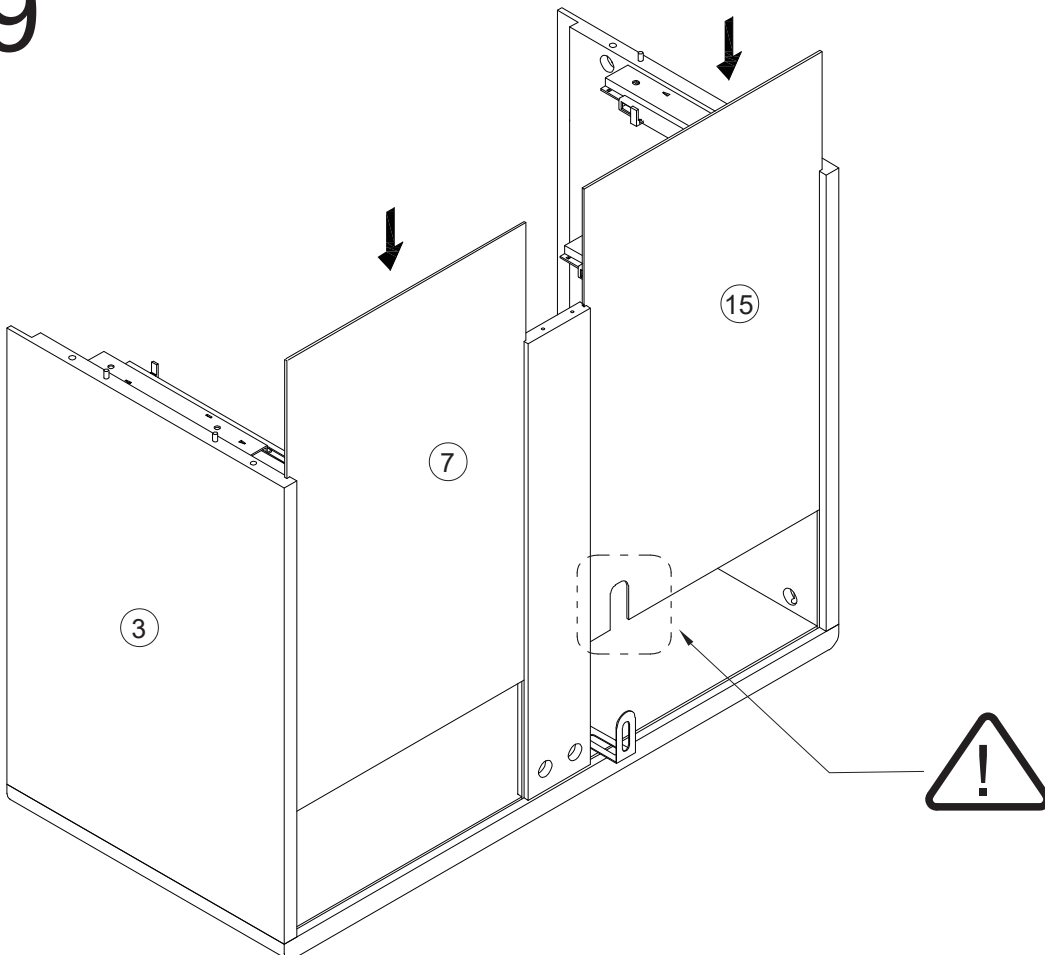
7



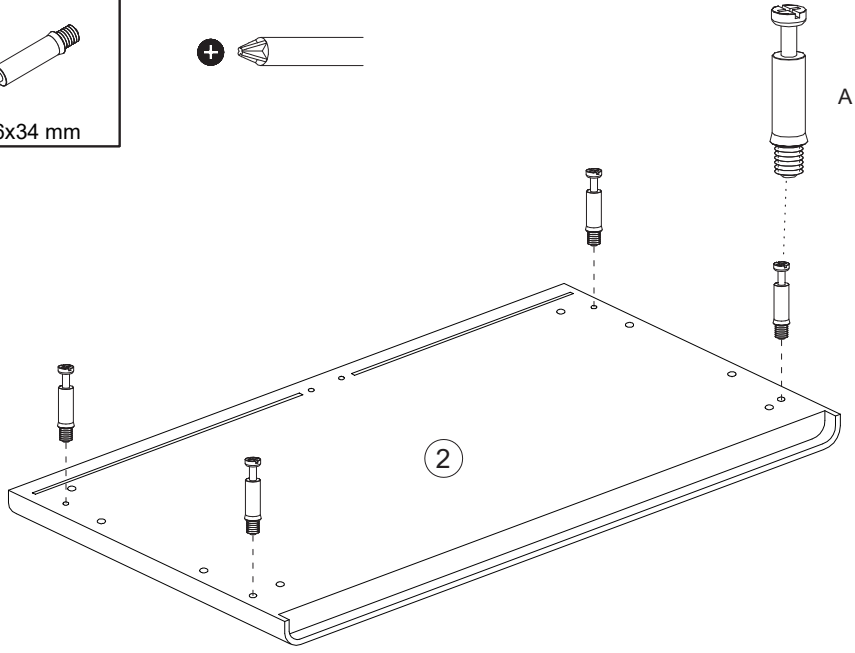
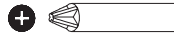
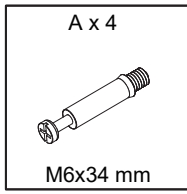
8



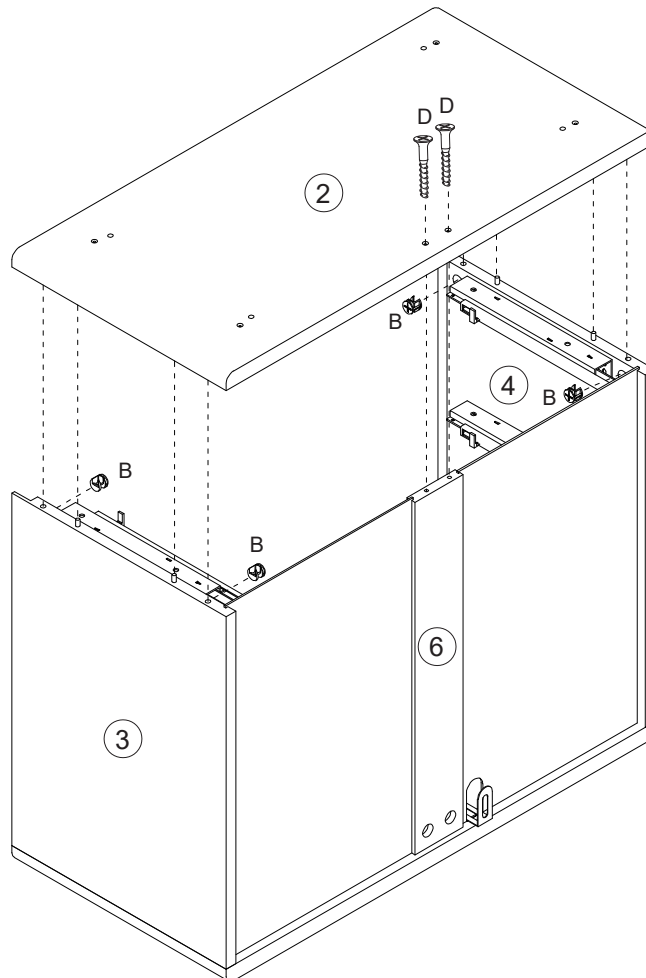
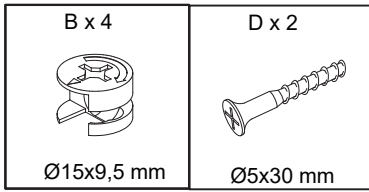
9



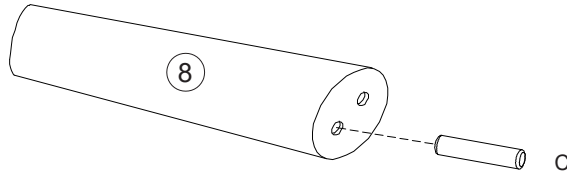
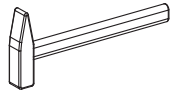
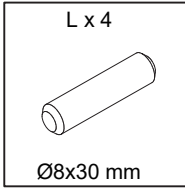
10



11

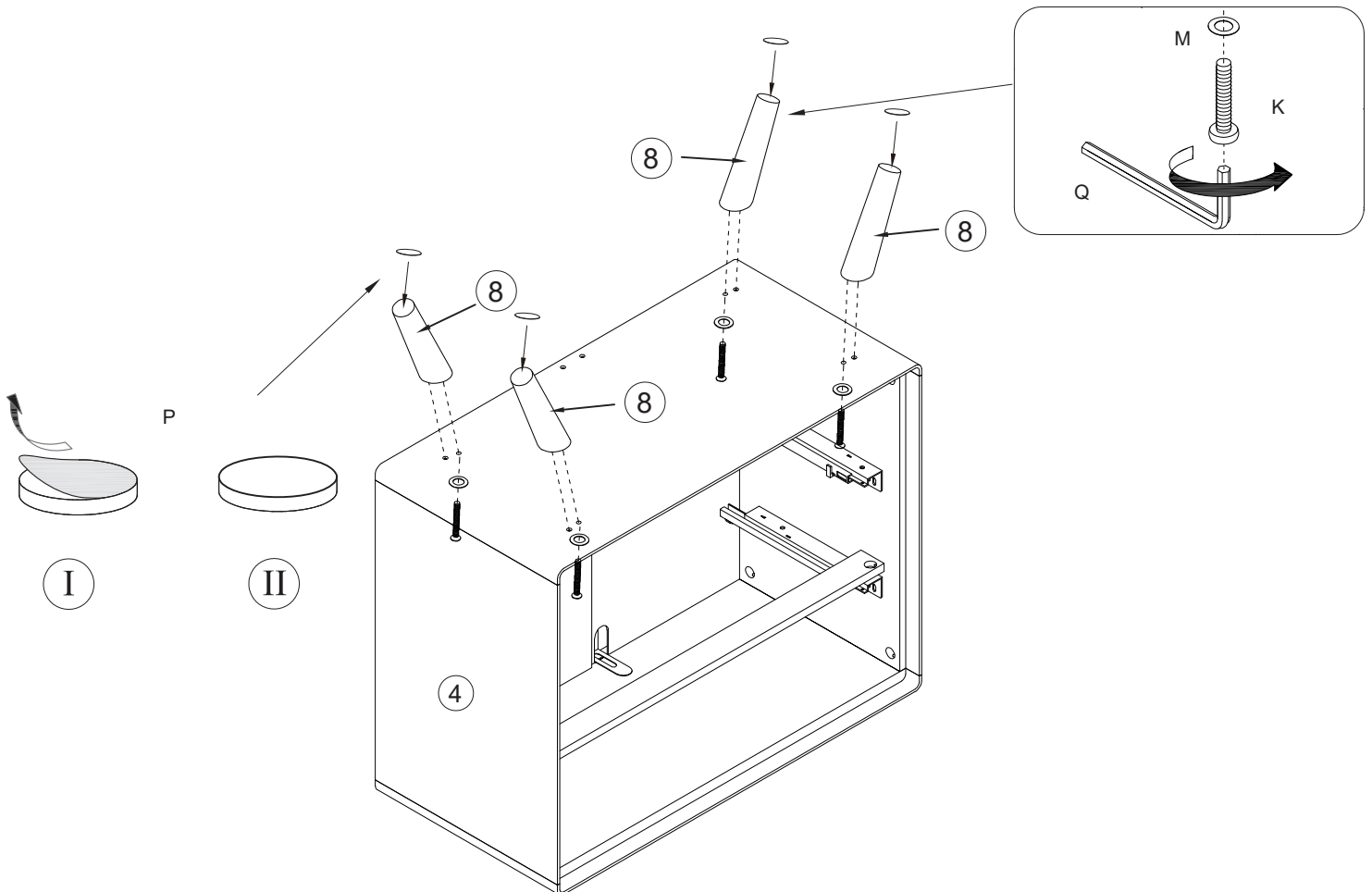
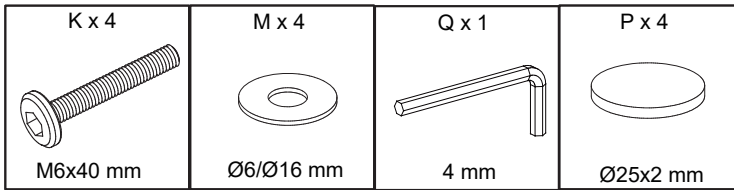


12

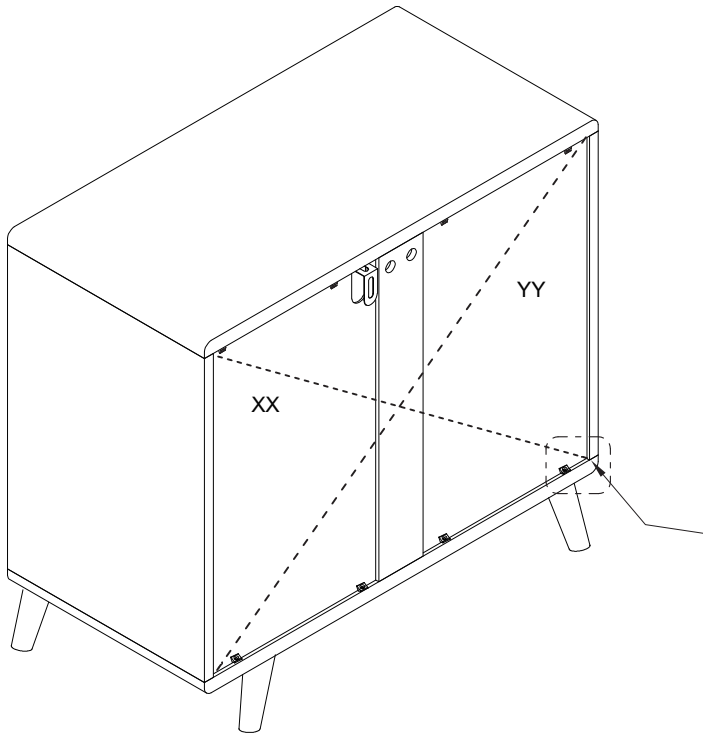
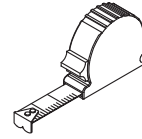
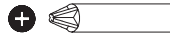
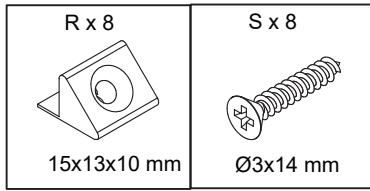


x4

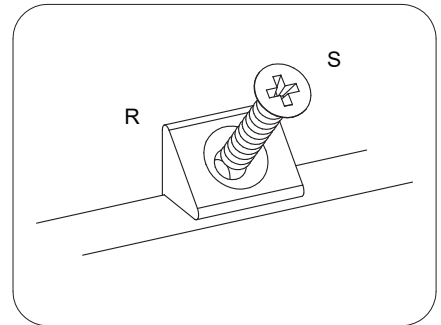
13



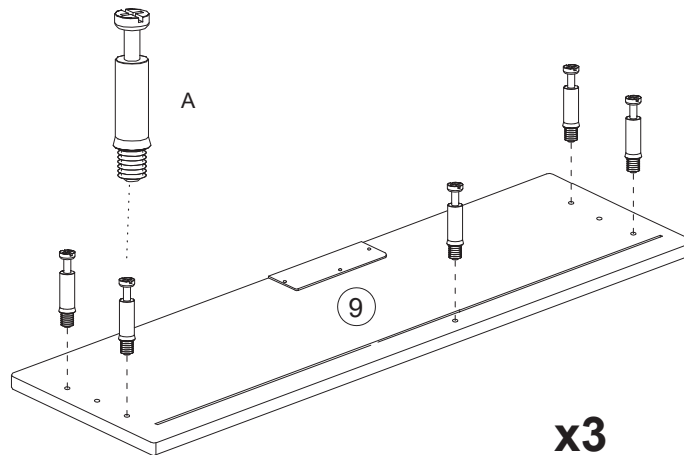
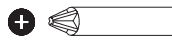
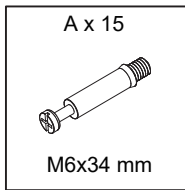
14



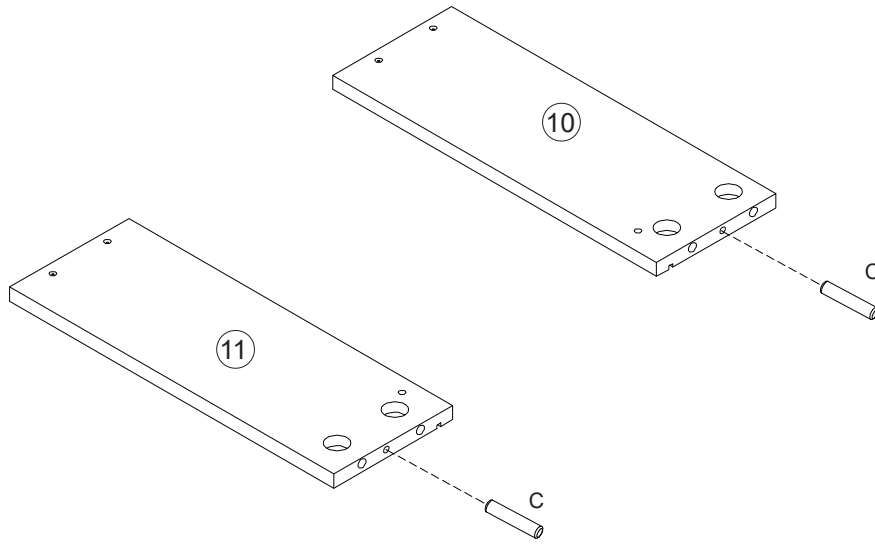
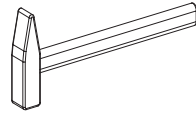
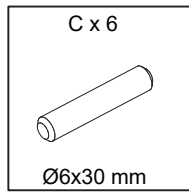
XX=YY



15

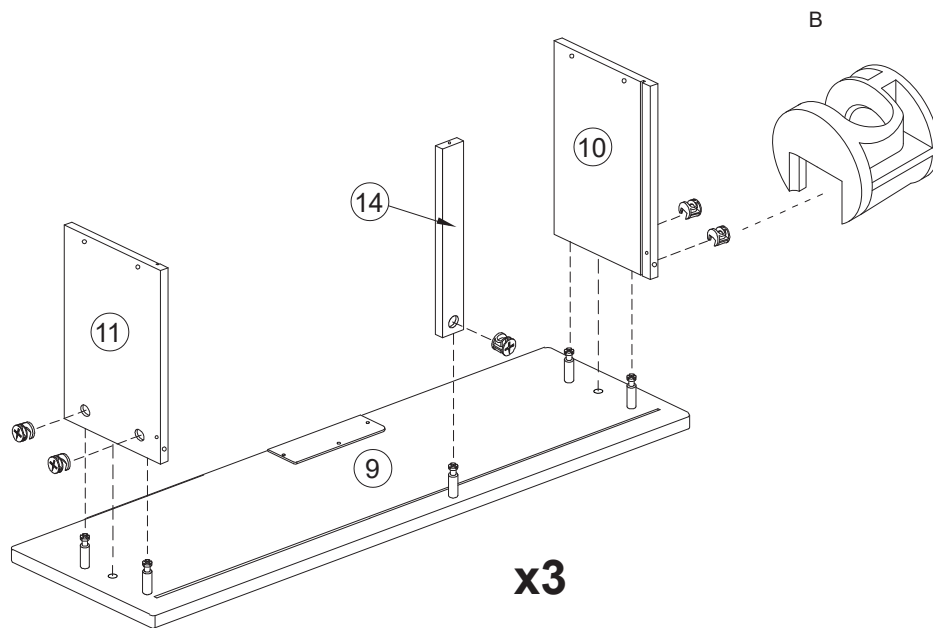
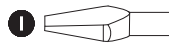
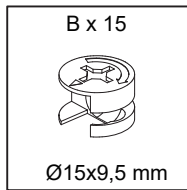


16



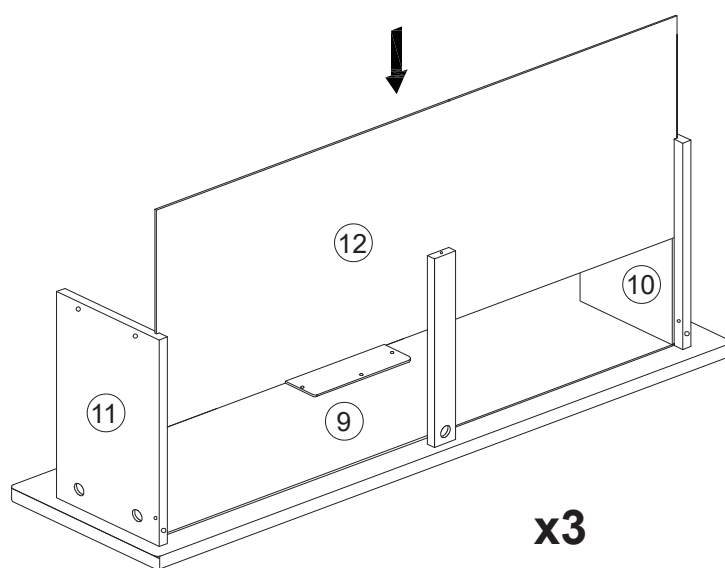
x3

17

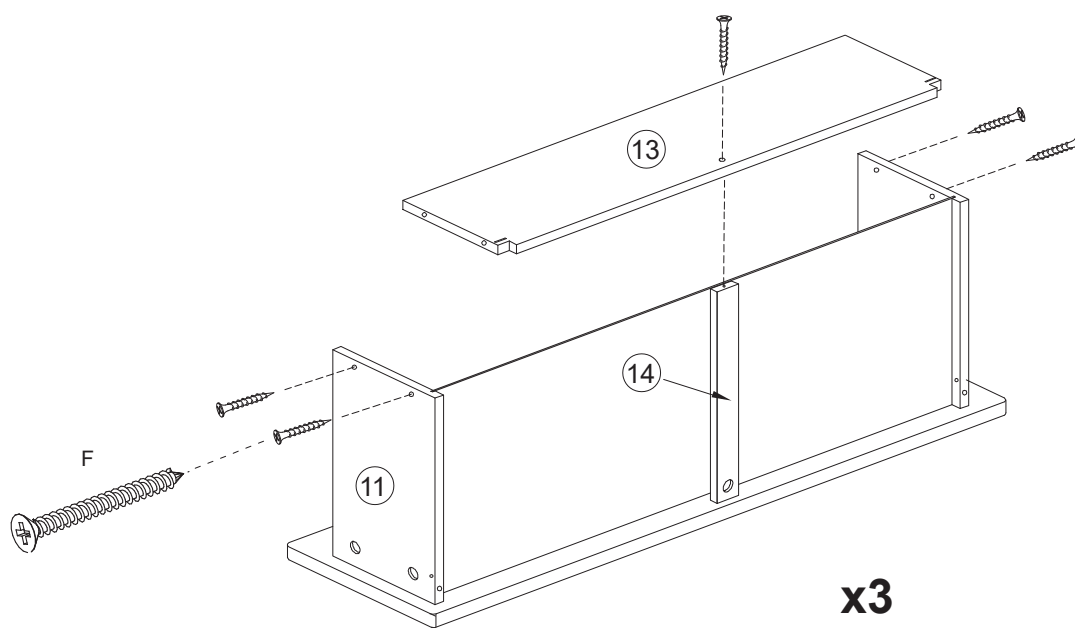
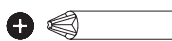
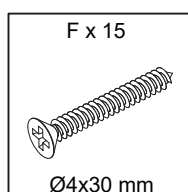


x3

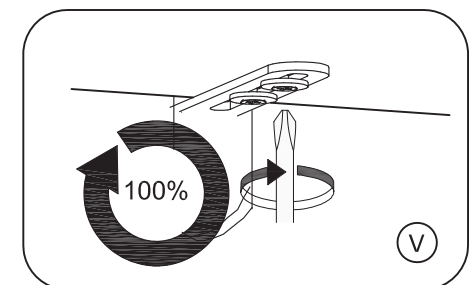
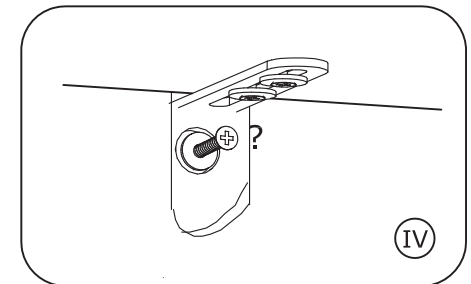
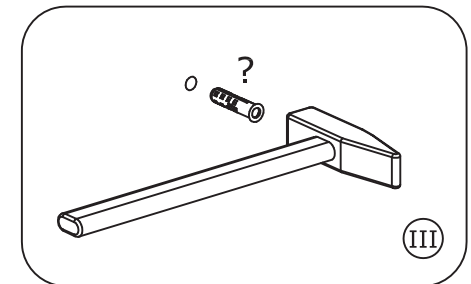
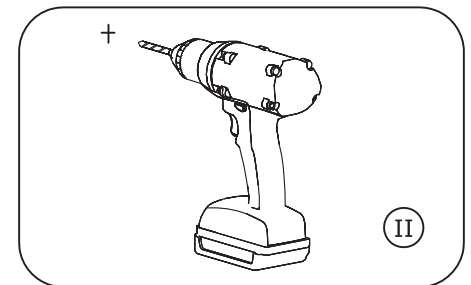
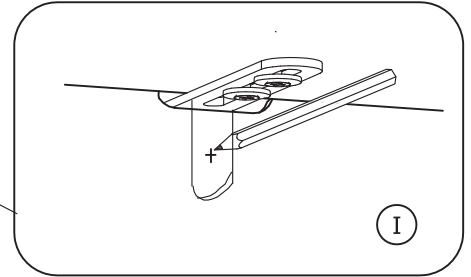
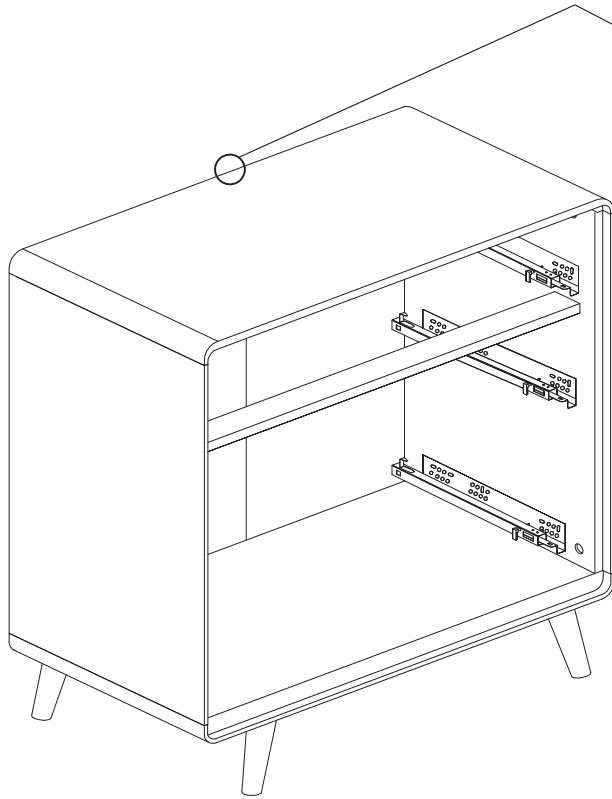
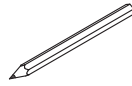
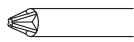
18

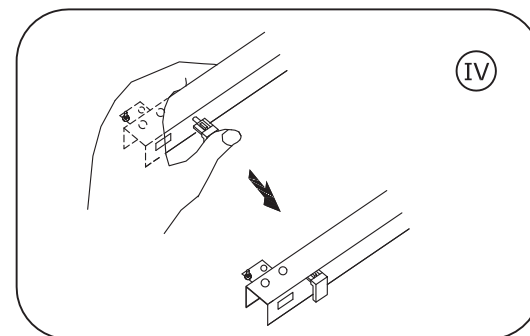
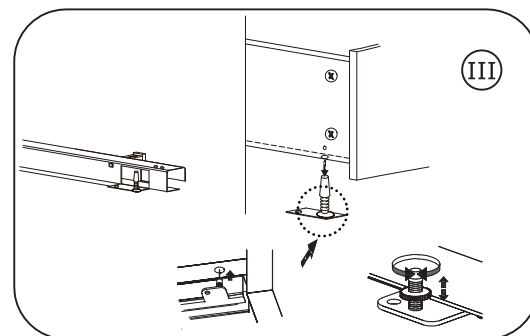
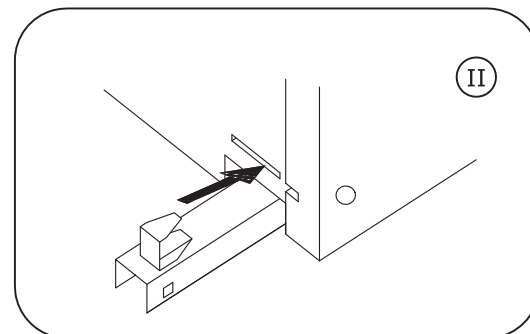
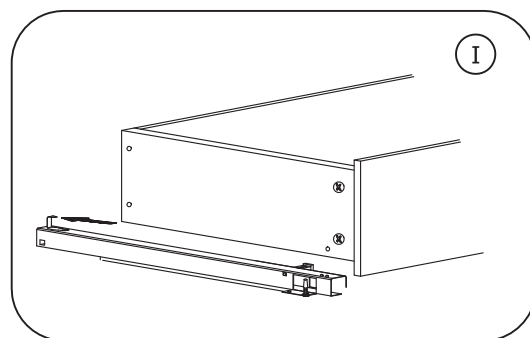
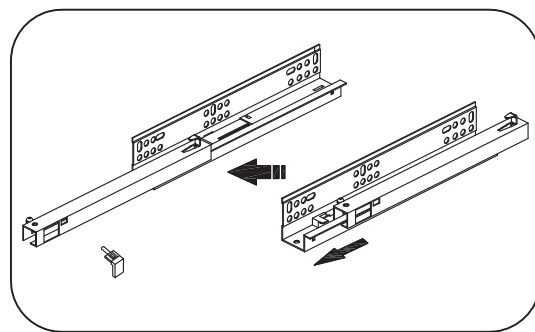
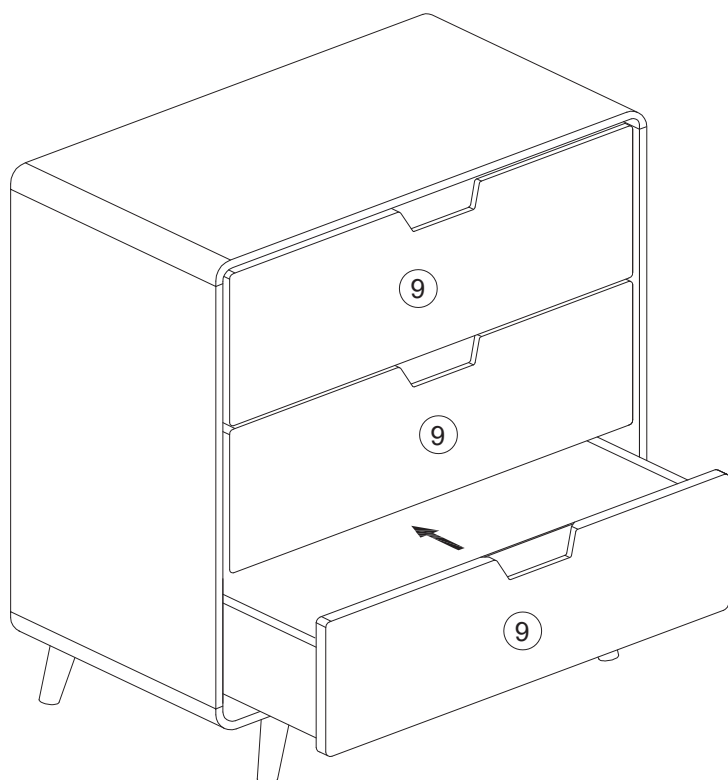


19

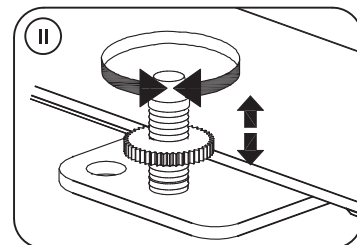
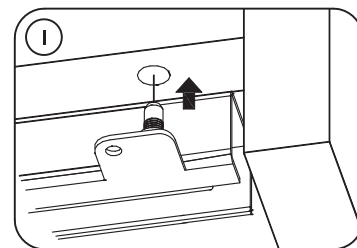
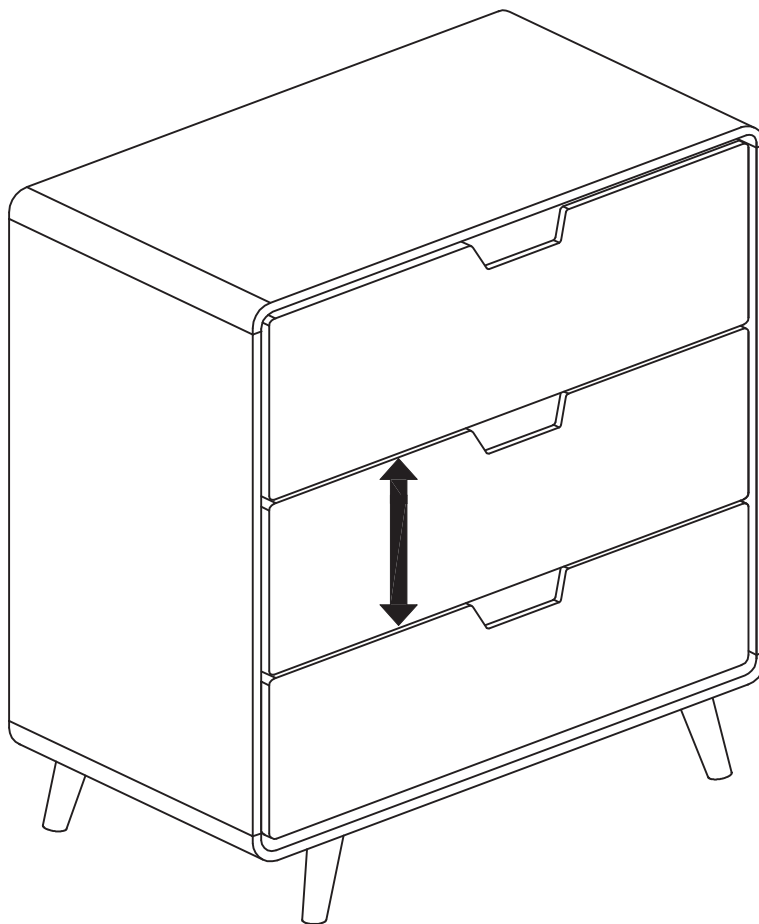


20





22



23

