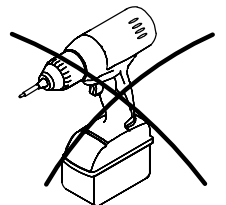
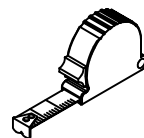
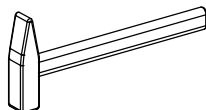
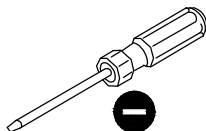
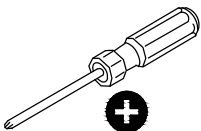
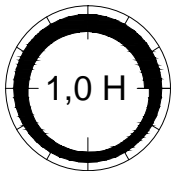
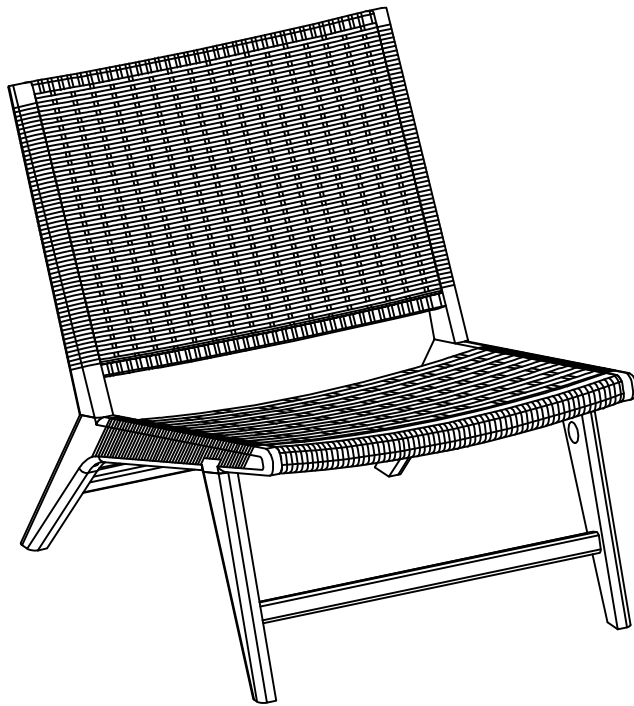
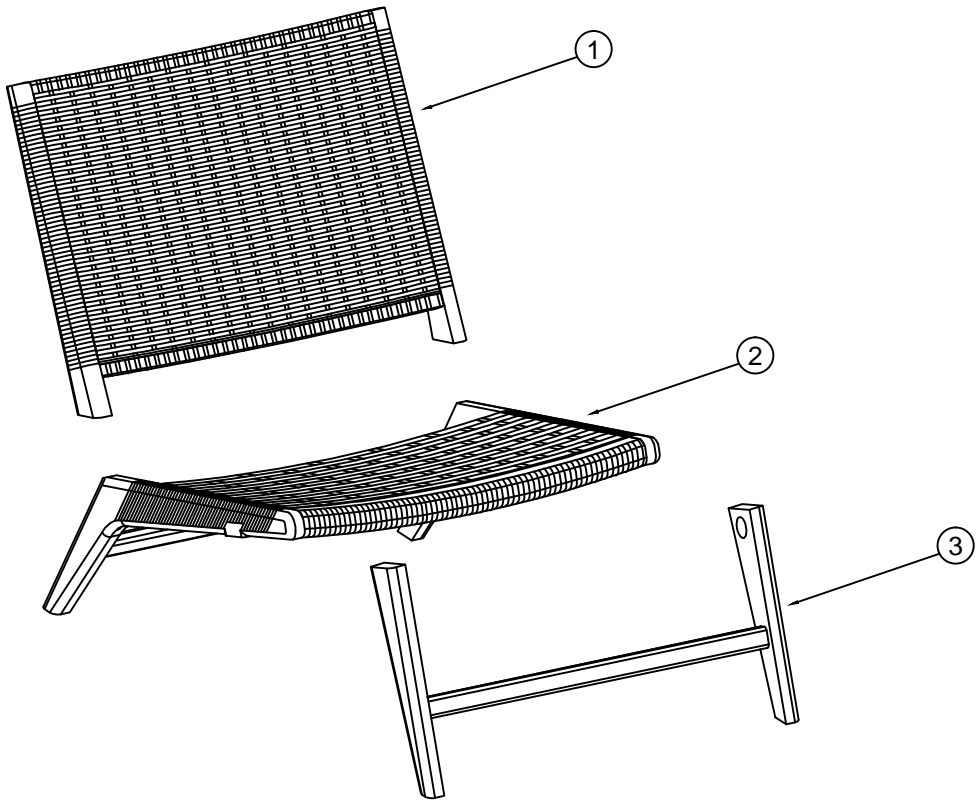

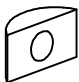

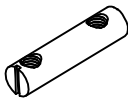

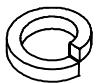
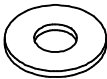
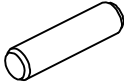
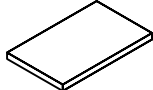




CARSON

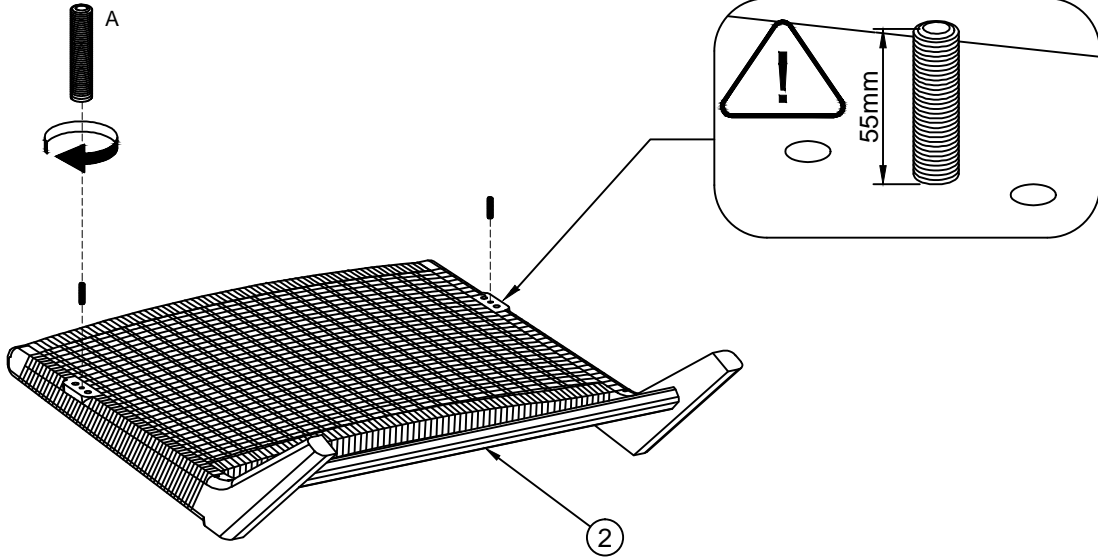
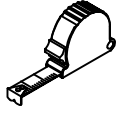
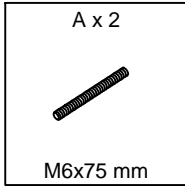


			✓
①	1	645 x 510 x 65	
②	1	862 x 645 x 176	
③	1	630 x 340 x 65	

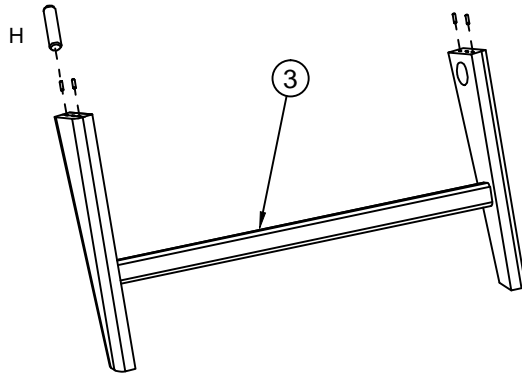
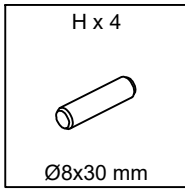


<p>A x 2</p>  <p>M6x75 mm</p>	<p>B x 2</p>  <p>29x12x7.5 mm</p>	<p>C x 2</p>  <p>M6/10 mm</p>	<p>D x 2</p>  <p>M6/Ø10x48 mm</p>	<p>E x 4</p>  <p>M6x90 mm</p>
<p>F x 6</p>  <p>Ø6 mm</p>	<p>G x 6</p>  <p>Ø6/Ø12 mm</p>	<p>H x 4</p>  <p>Ø8x30 mm</p>	<p>J x 4</p>  <p>30x20x3 mm</p>	<p>K x 1</p>  <p>10 mm</p>
<p>L x 1</p>  <p>4 mm</p>				






1

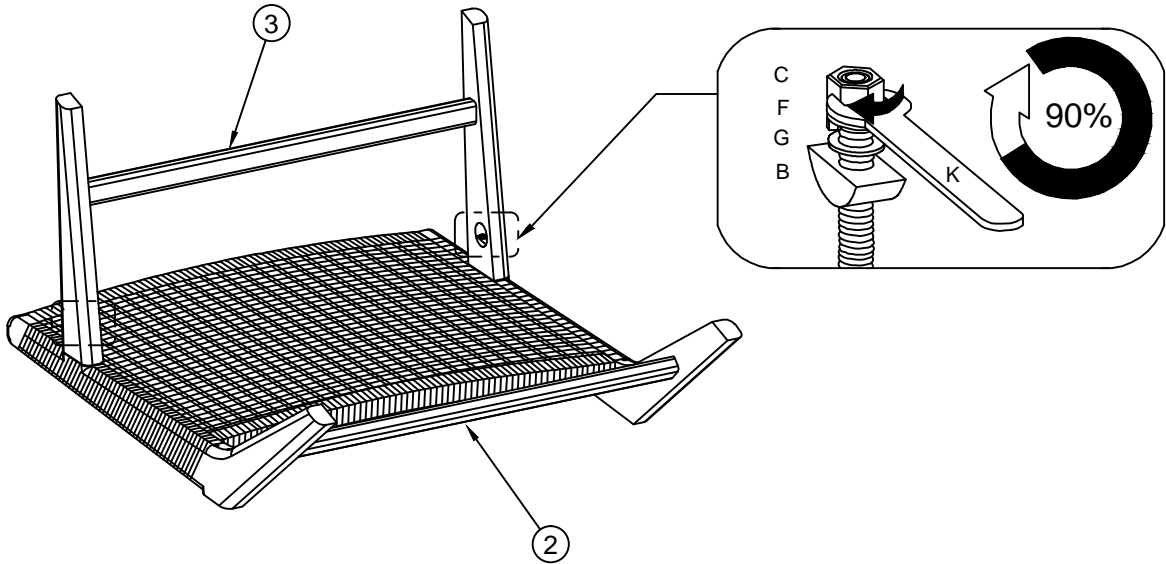


2








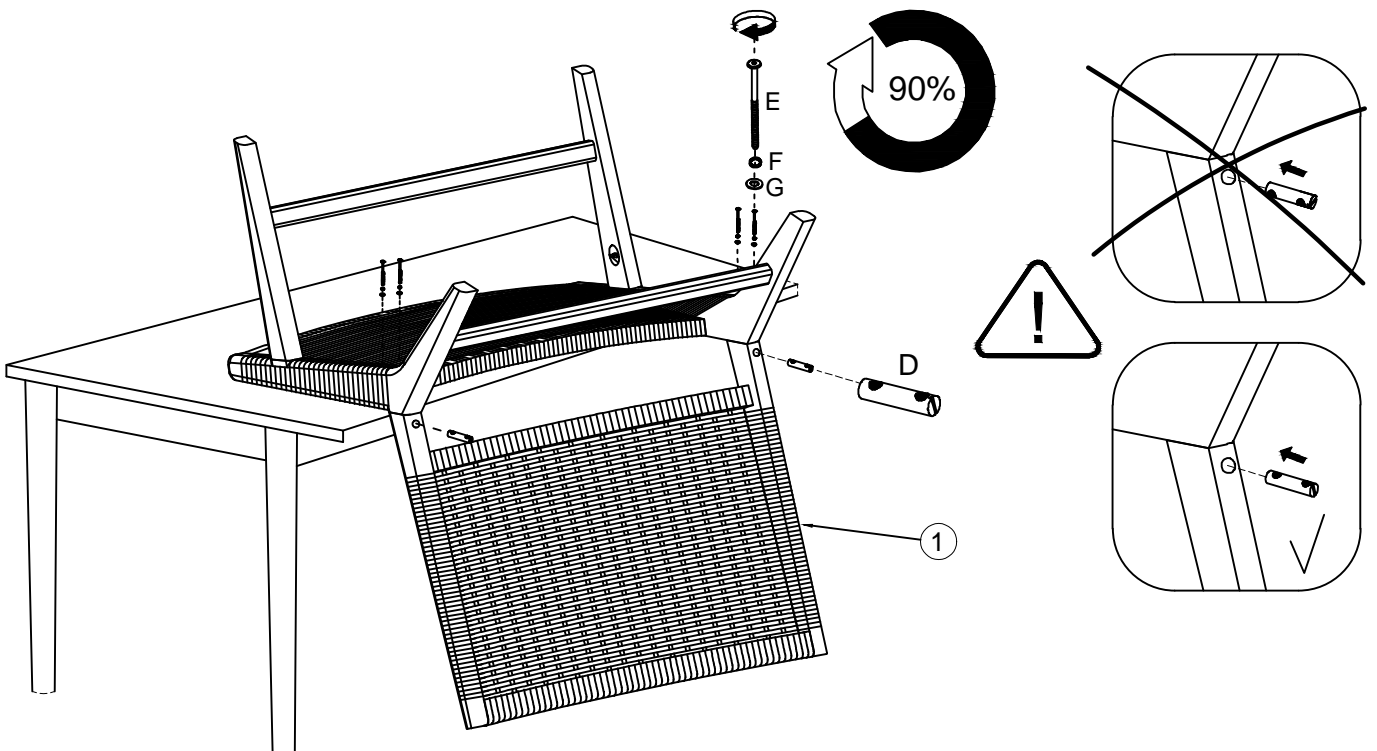
3

B x 2  29x12x7.5 mm	C x 2  M6/10 mm	K x 1  10 mm	F x 2  Ø6 mm	G x 2  Ø6/Ø12 mm
--	--	---	---	---

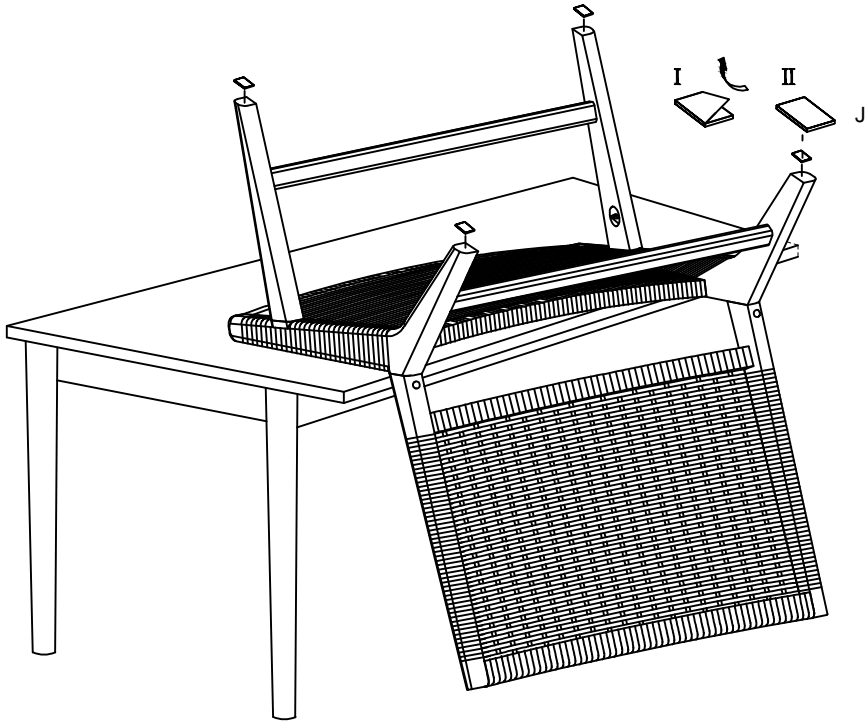
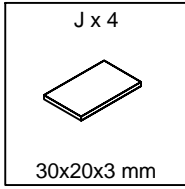


4

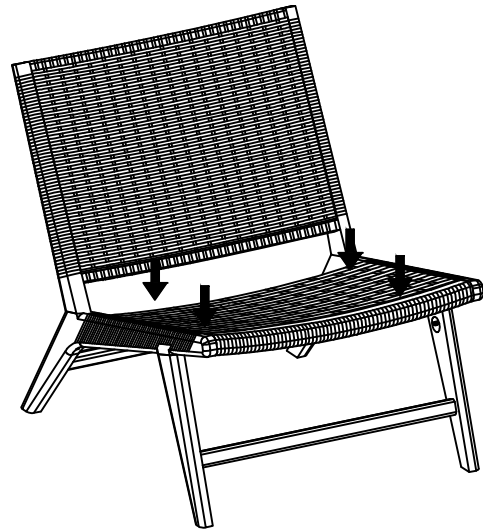
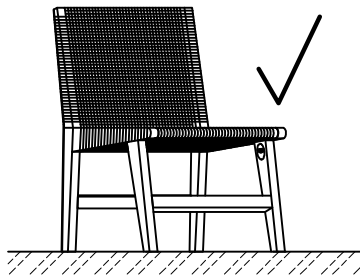
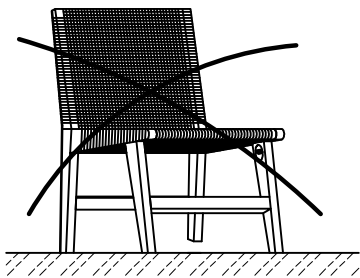
E x 4  M6x90 mm	F x 4  Ø6 mm	G x 4  Ø6/Ø12 mm	D x 2  M6/Ø10x48 mm	L x 1  4 mm
--	---	---	--	--



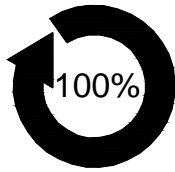
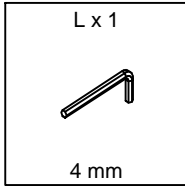
5



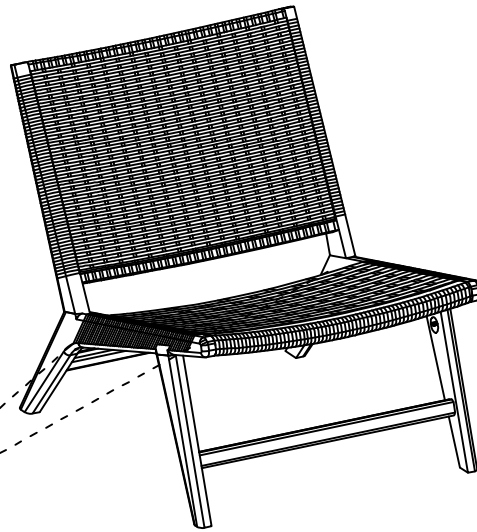
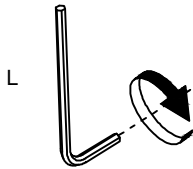
6



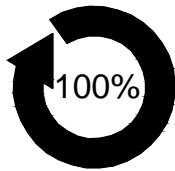
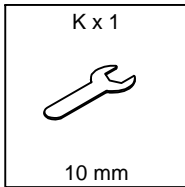
7



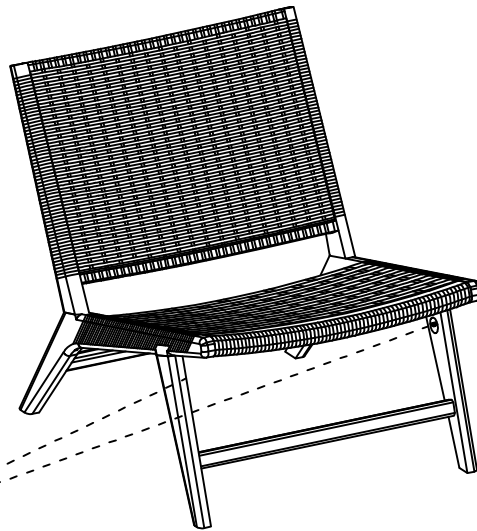
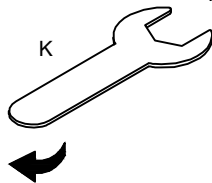
Ex4



8



Cx2



9

