
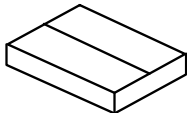
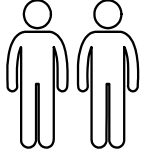


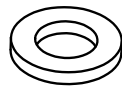


Kave® Cares

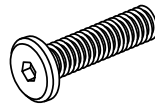
 25 min	 x2	 x2
---	---	---



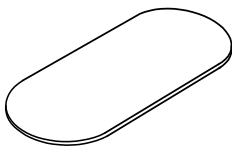
Ax1 (M4)



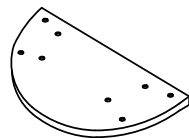
Bx16 (M6xØ15)



Cx16 (M6x30)



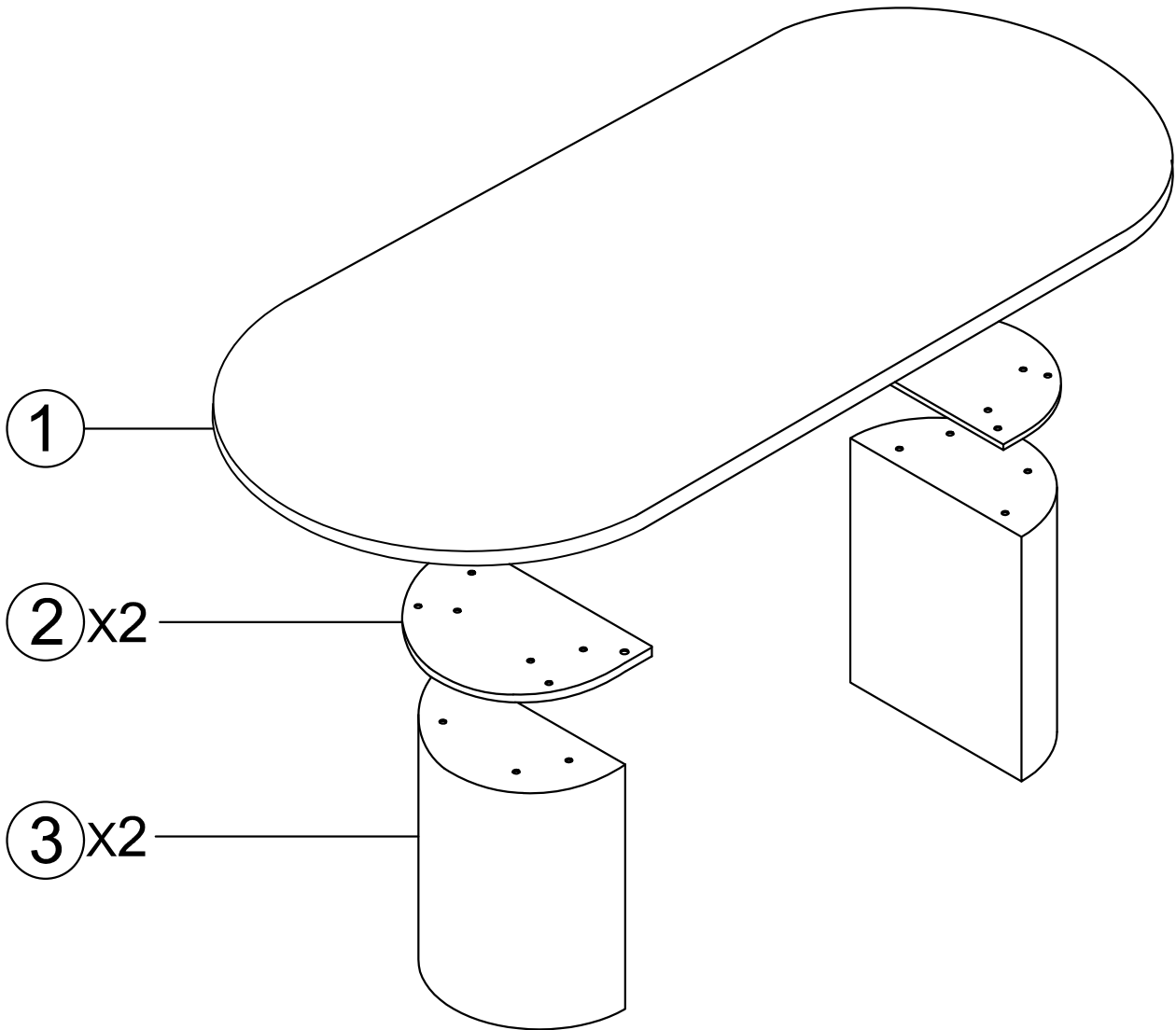
(1) x1

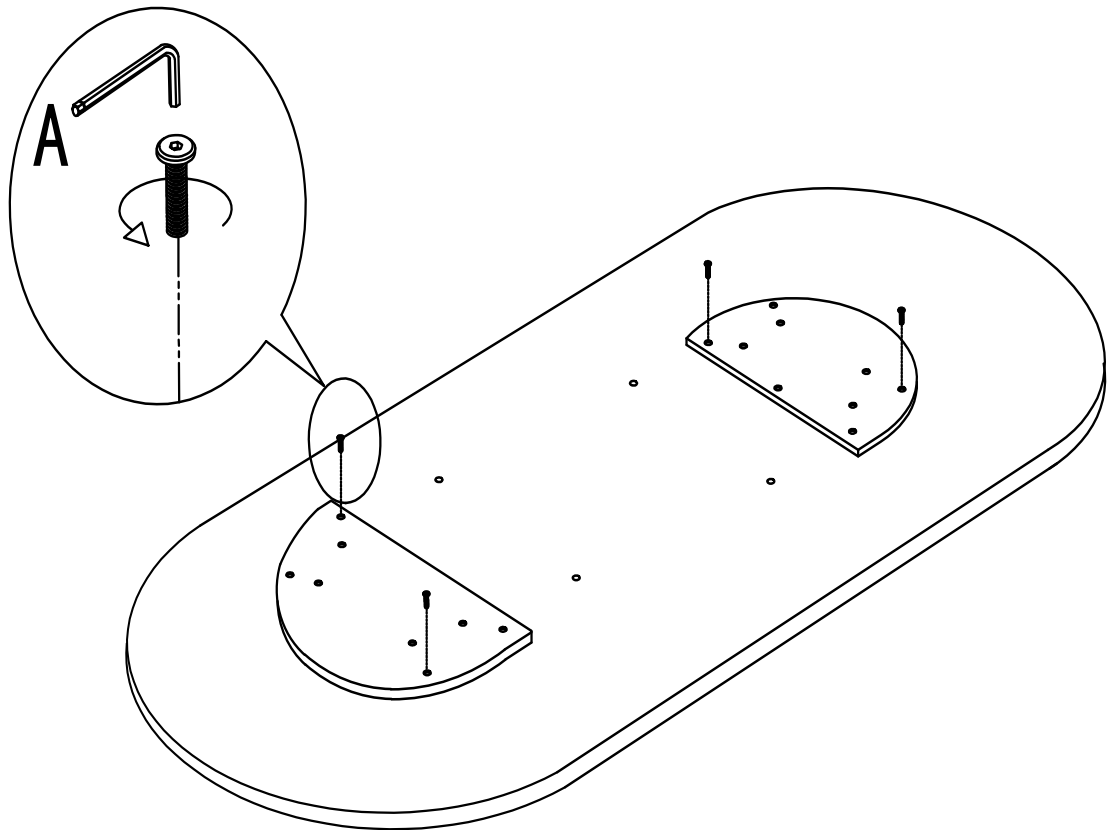


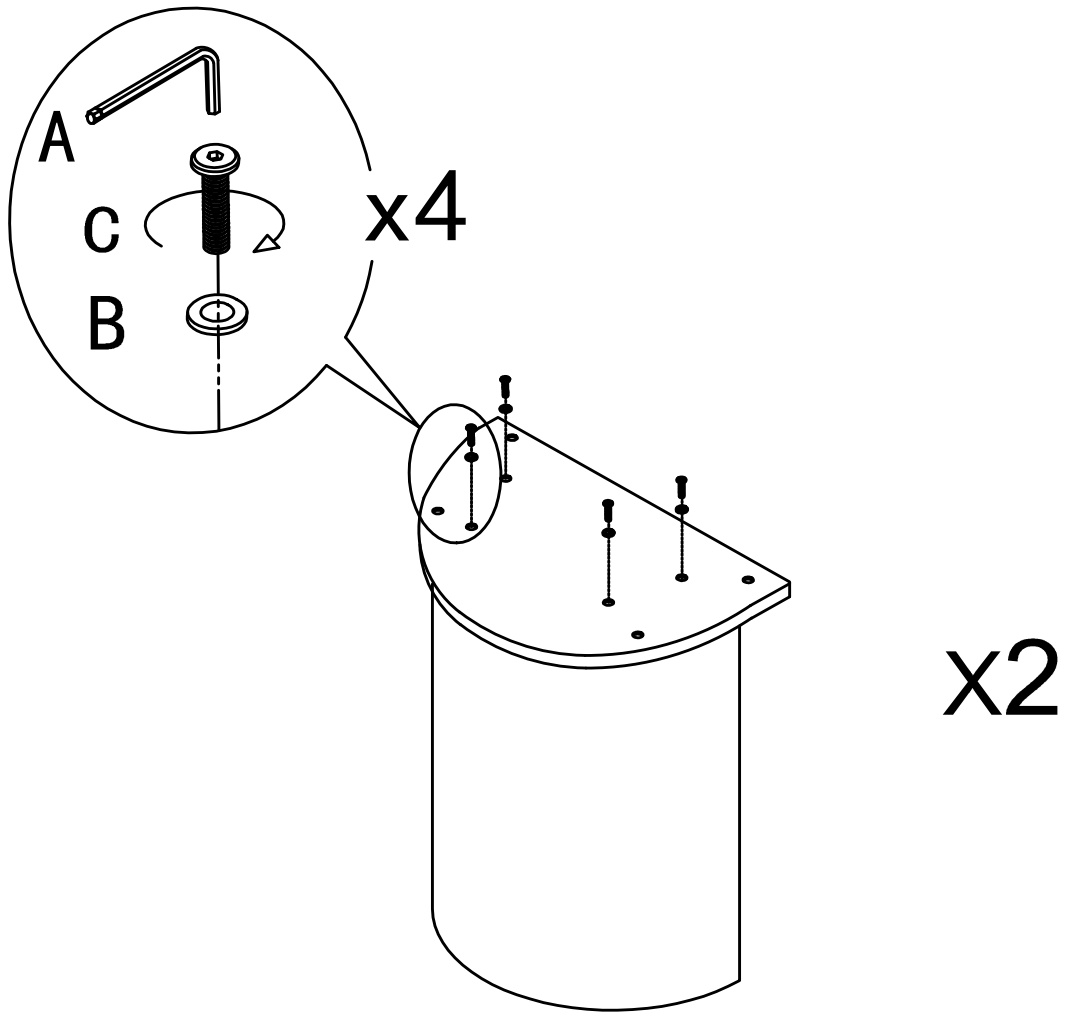
(2) x2

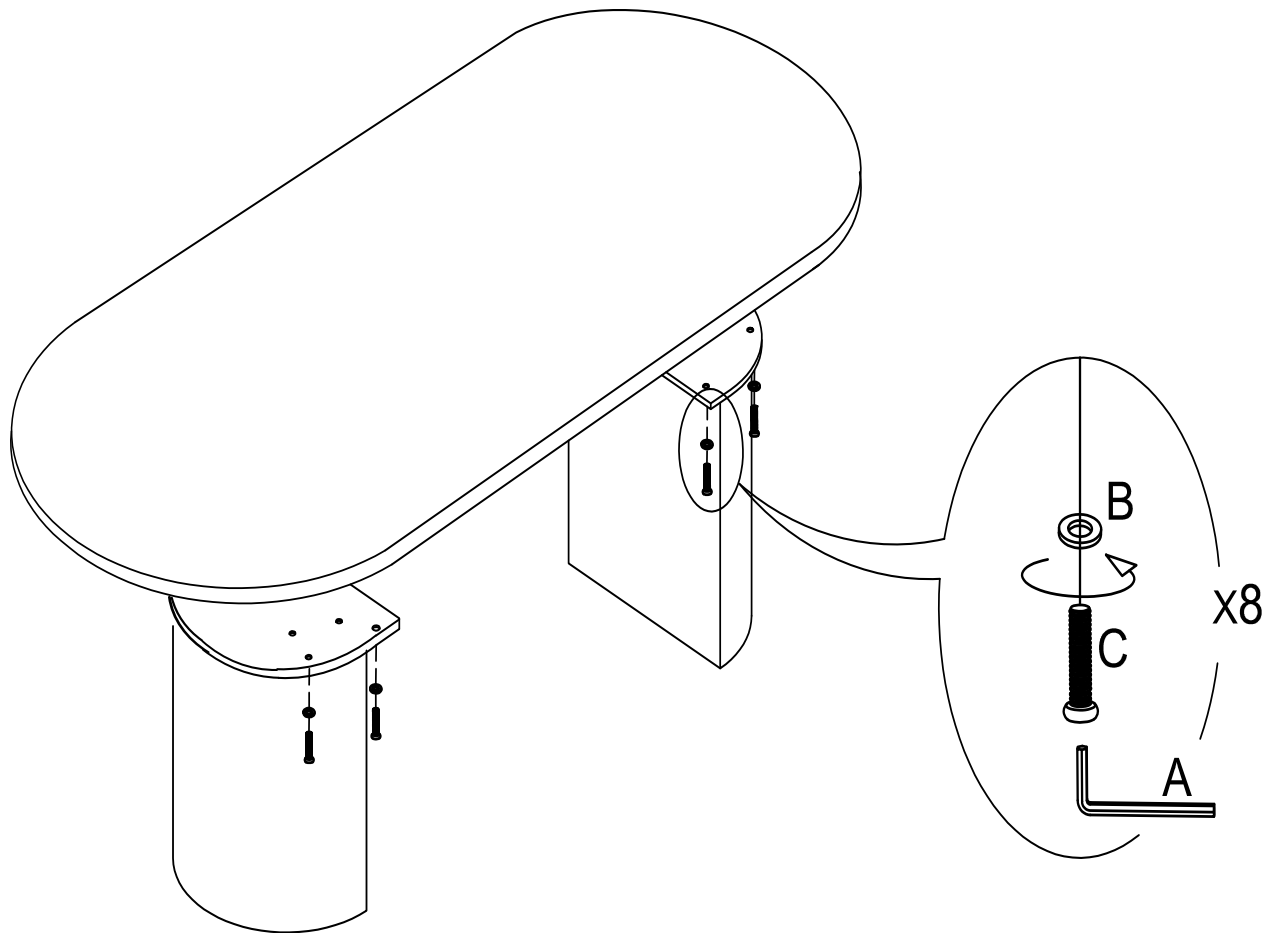


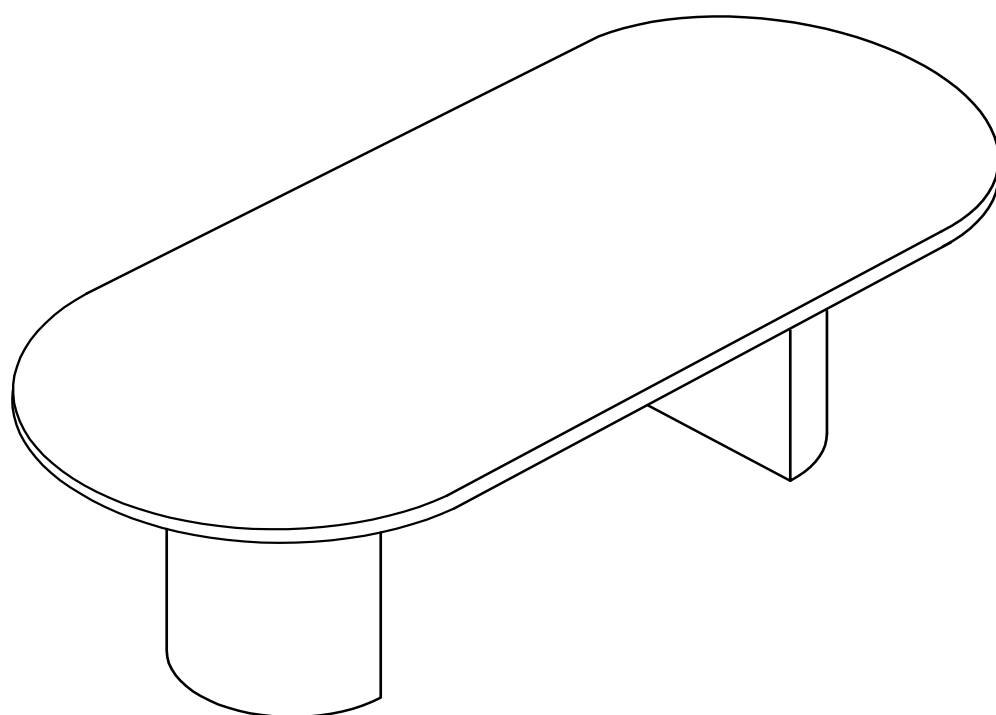
(3) x2











THAT'S ALL FOLKS

Share your style!

#KaveHome

