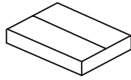


DANDARA



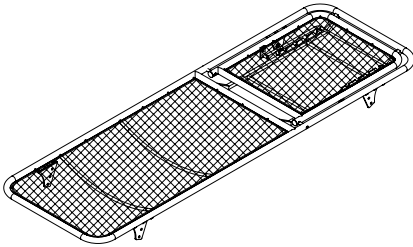
10 min



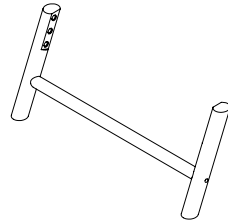
x1



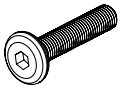
x1



A x1



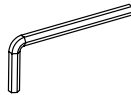
B x2



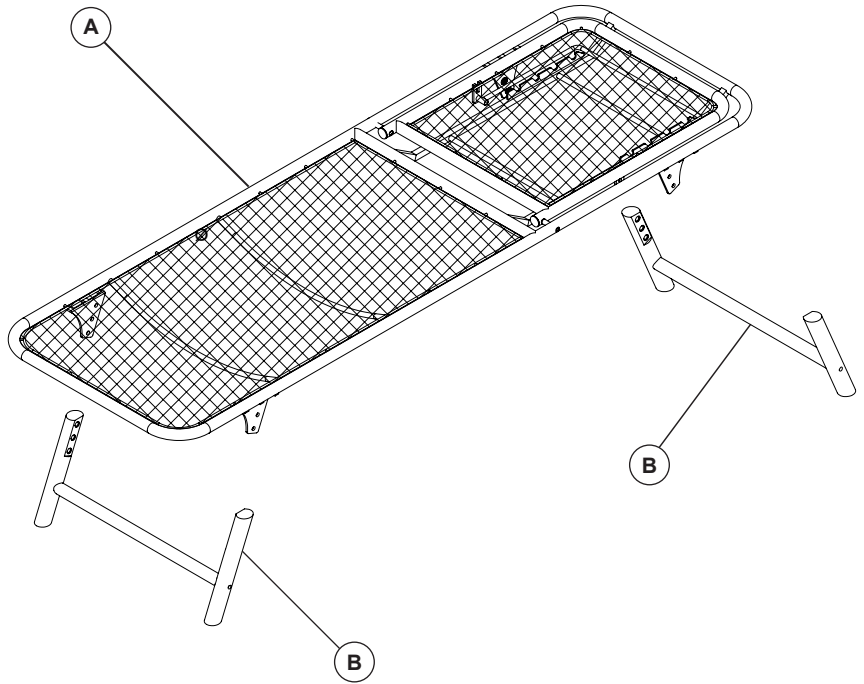
C x12  
ø8x30mm



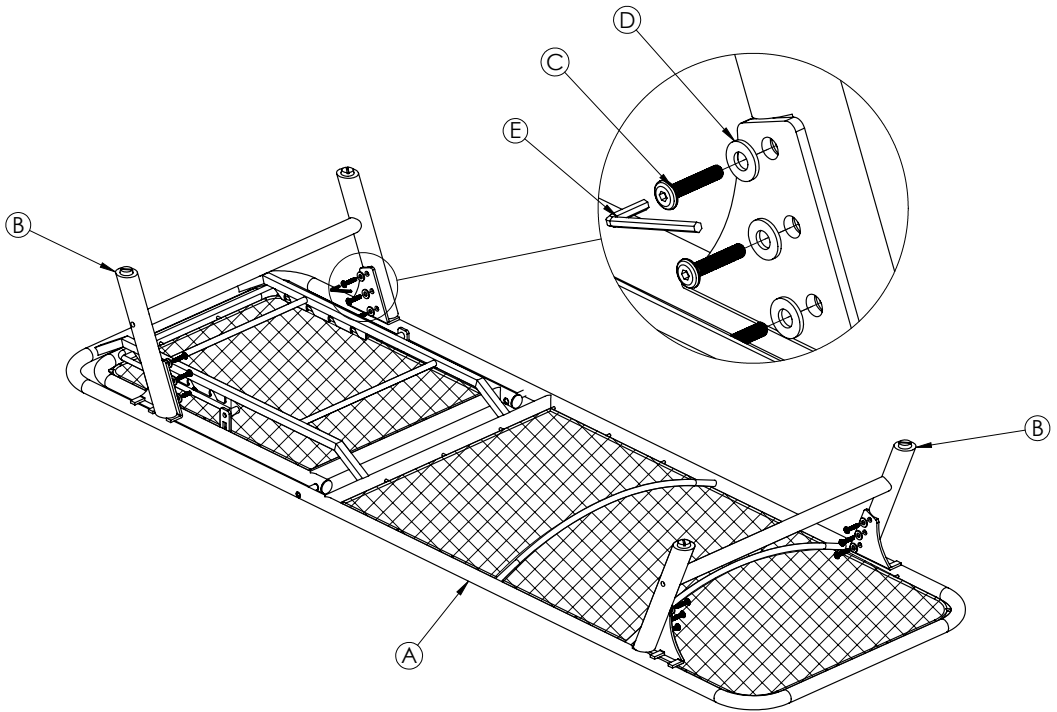
D x12  
Washer ø8



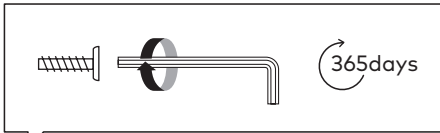
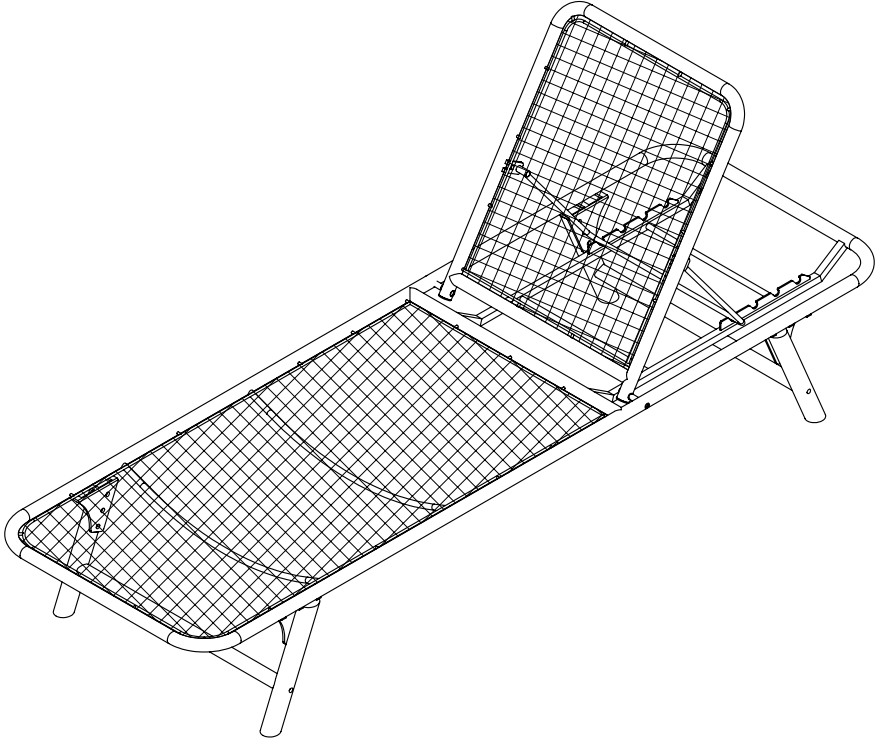
F x1



1



2







**THAT'S ALL FOLKS**

Share your style!

#KaveHome

