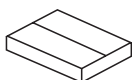




Kave® Cares



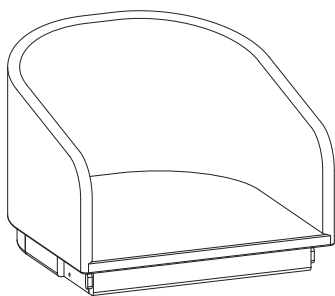
15 min



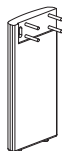
x1



x2



A x1



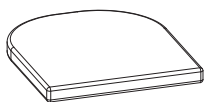
B x1



C x1



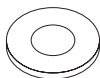
D x1



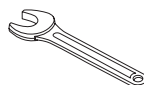
E x1



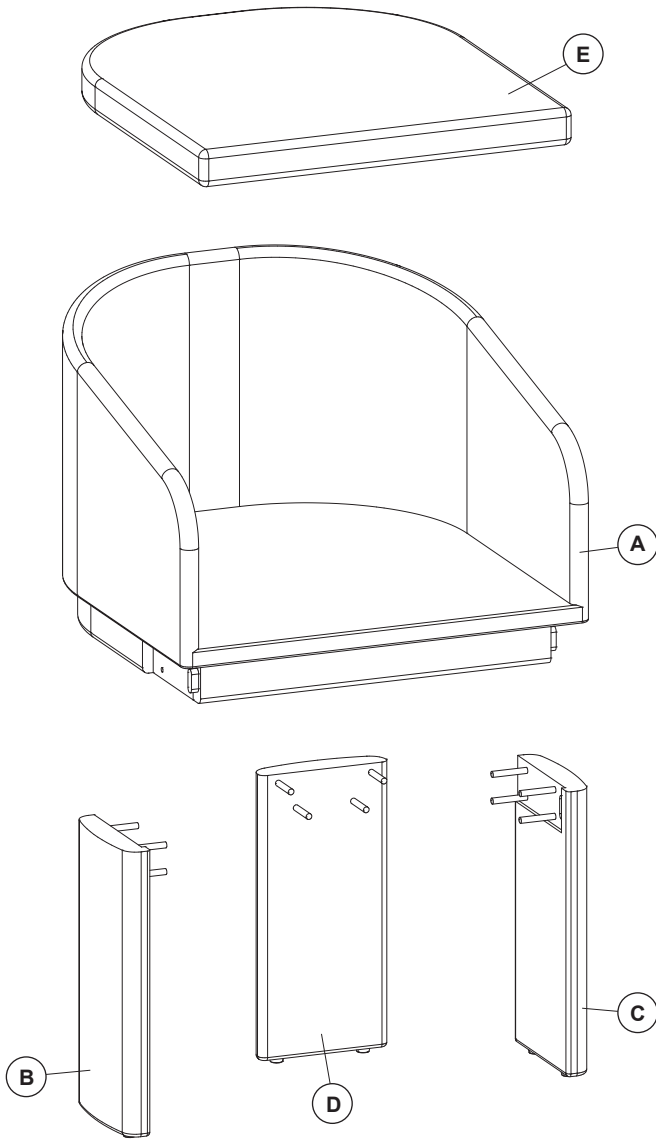
F x12
M8x8mm



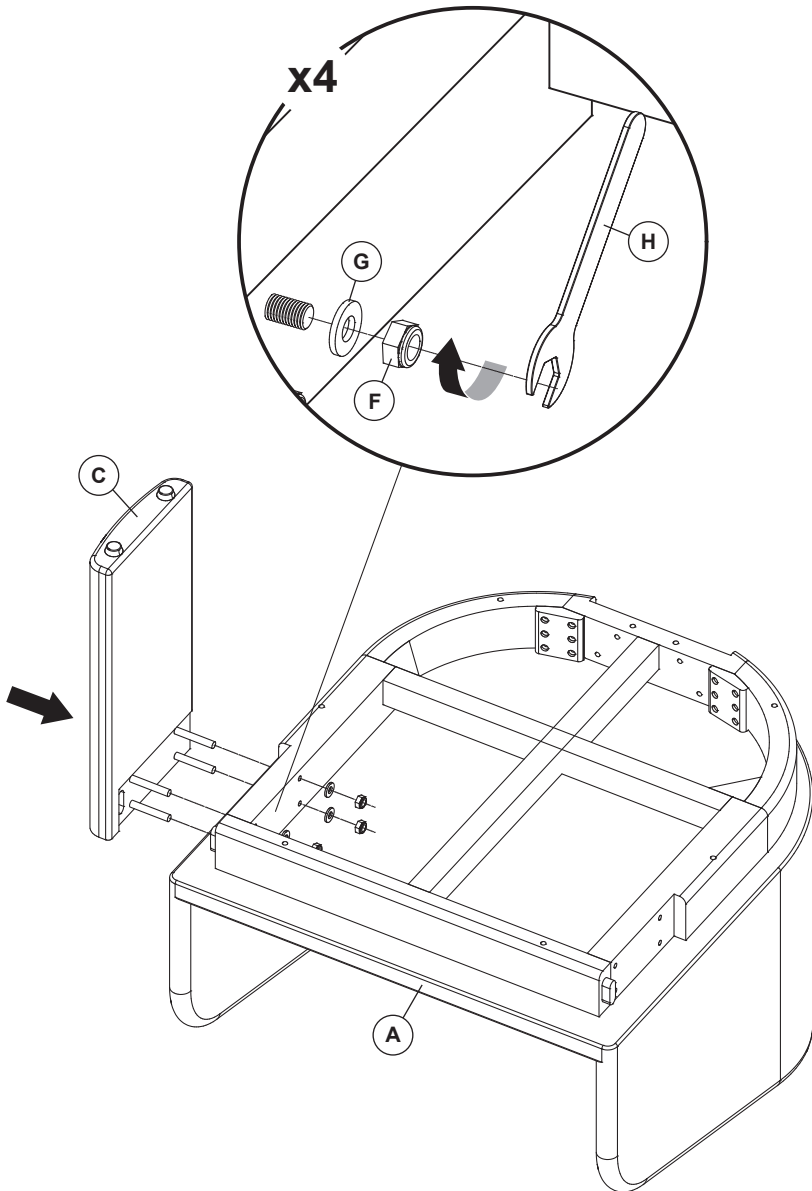
G x12
Ø19x2mm



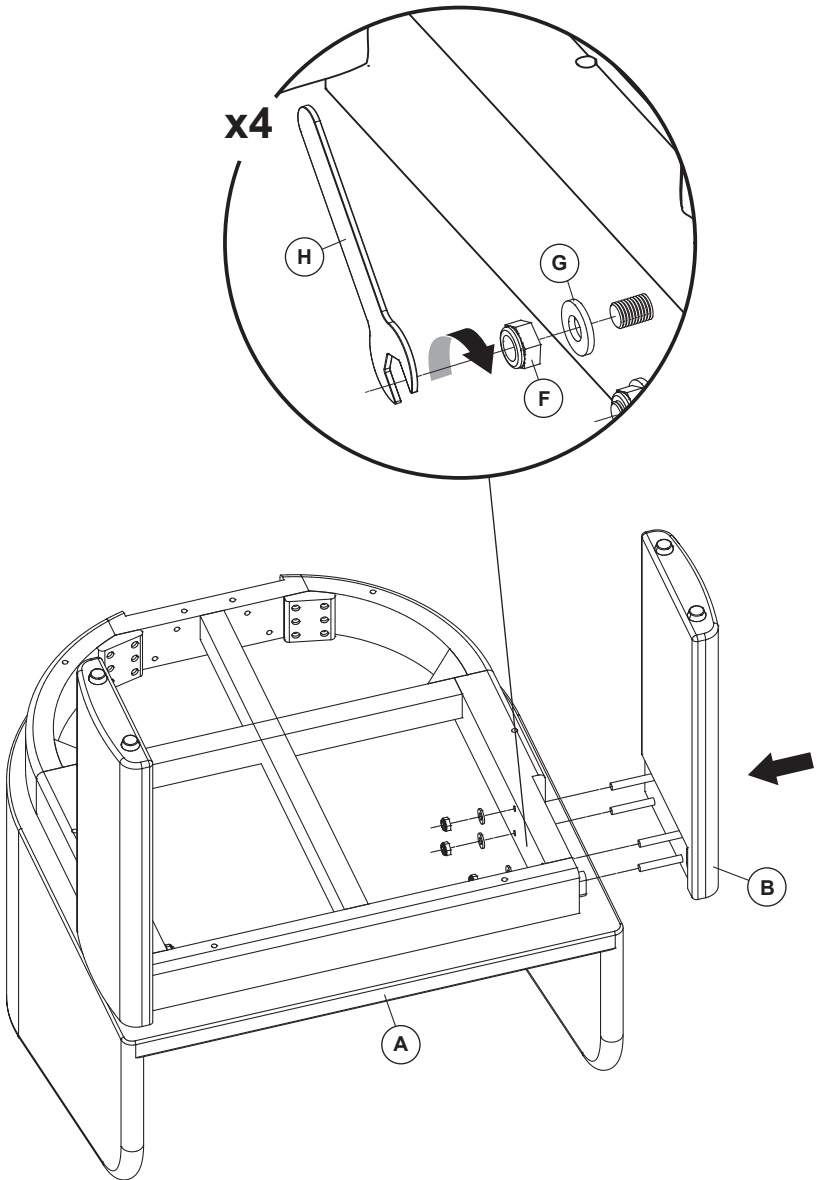
H x1



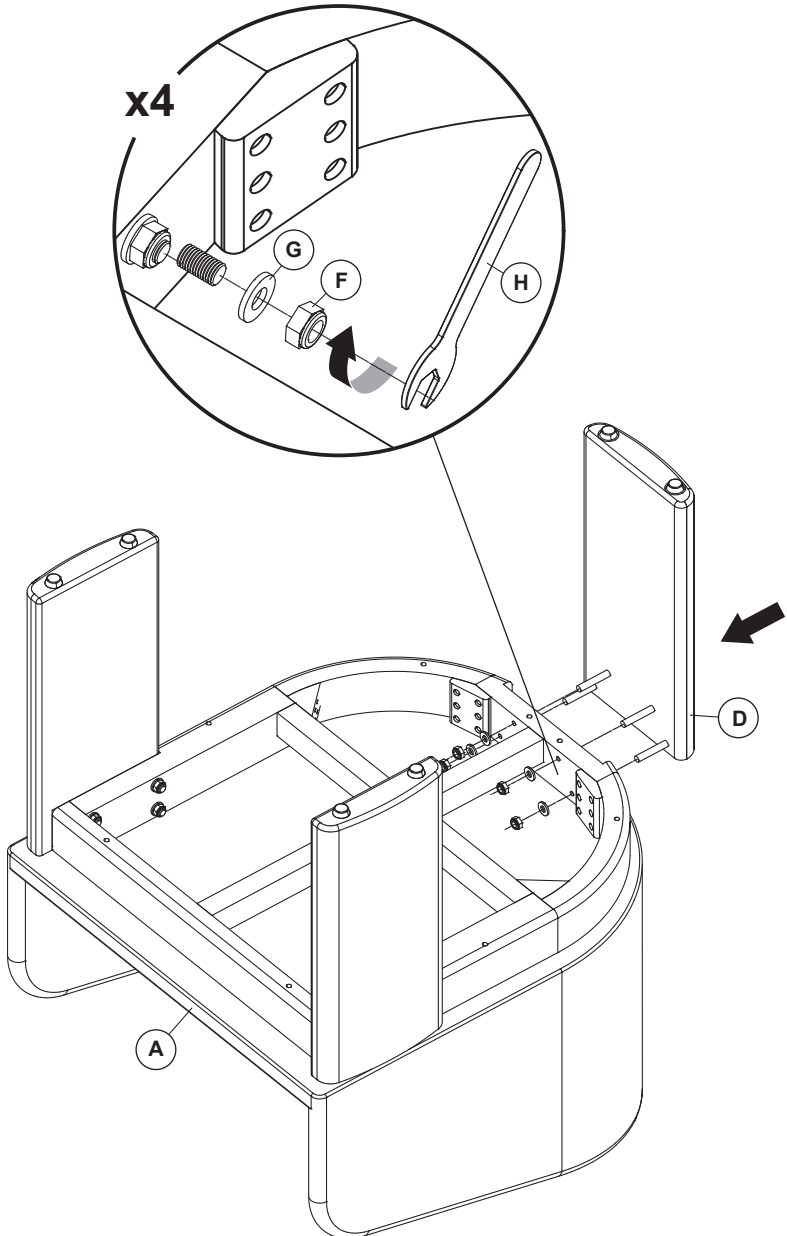
1



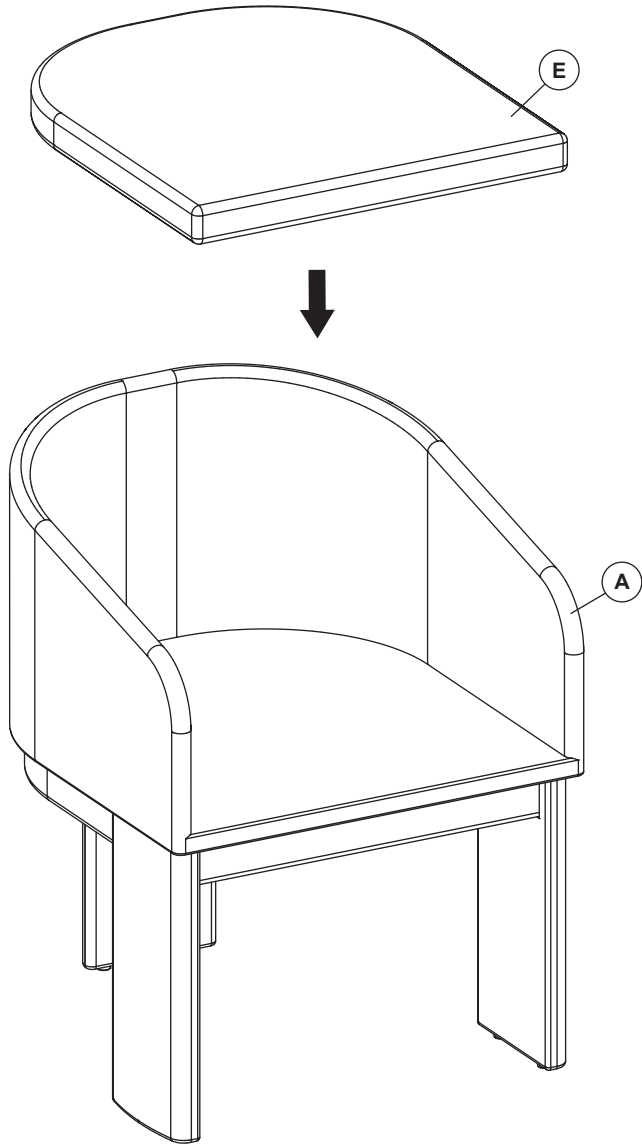
2

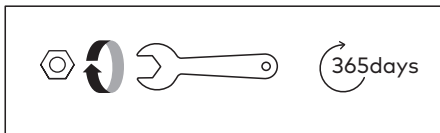
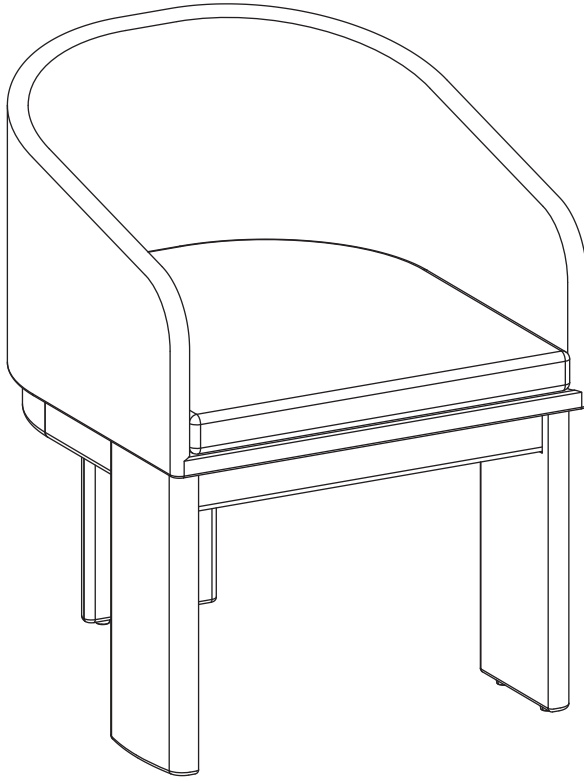


3



4







THAT'S ALL FOLKS

Share your style!

#KaveHome

