

Item type
Chandelier

Item name
Le Marais

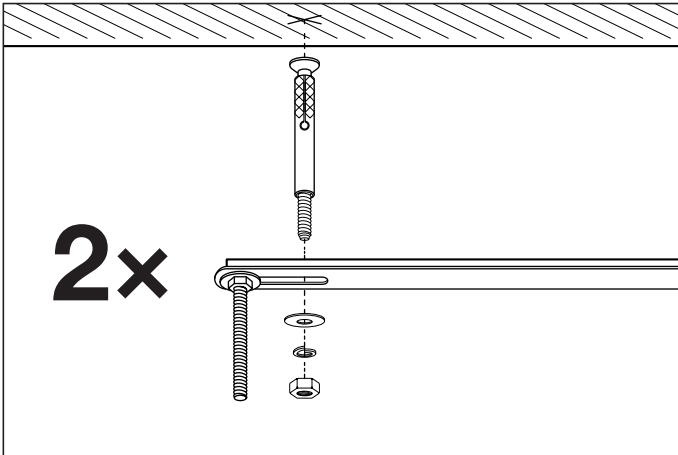
Item no
113473

Attention! Do not connect your luminaire to electricity until it is fully assembled.

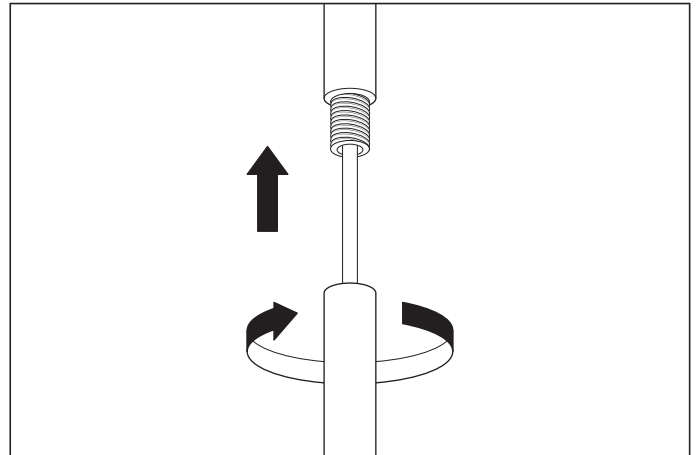
Care instructions:
Wipe with a soft dry cloth, do not use chemicals or abrasive cleaning materials.

Eichholtz B.V.
Delfweg 52
2211 VN Noordwijkerhout
The Netherlands

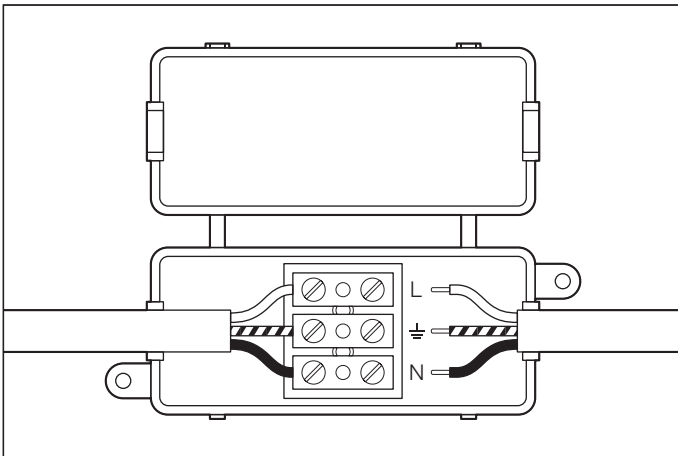
🏠 www.eichholtz.com
✉ service@eichholtz.com
☎ +31 (0)252 515 850



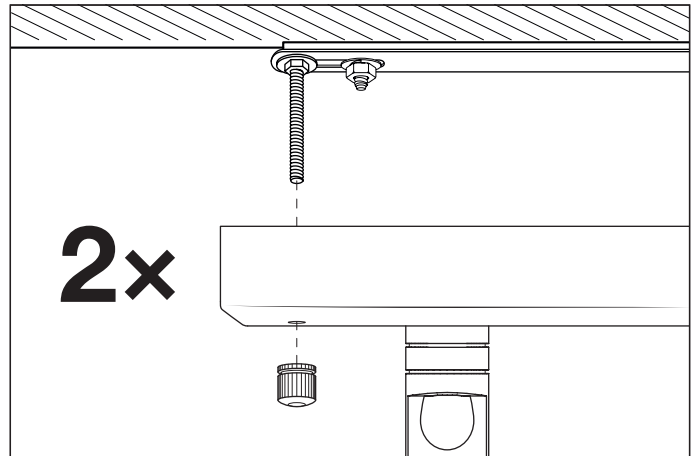
1. Fix the crossbar to the ceiling by using mounting plugs and screws suitable to your ceiling type.



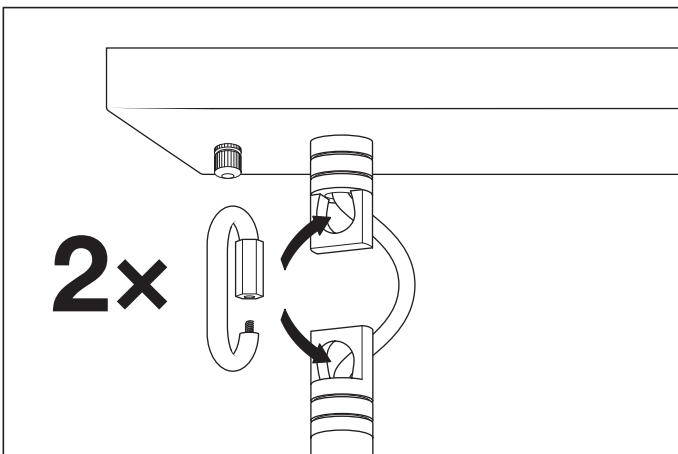
2. Determine the desired height of the lamp and connect either one, two or three of the pipes supplied. Thread the wire through the pipes.



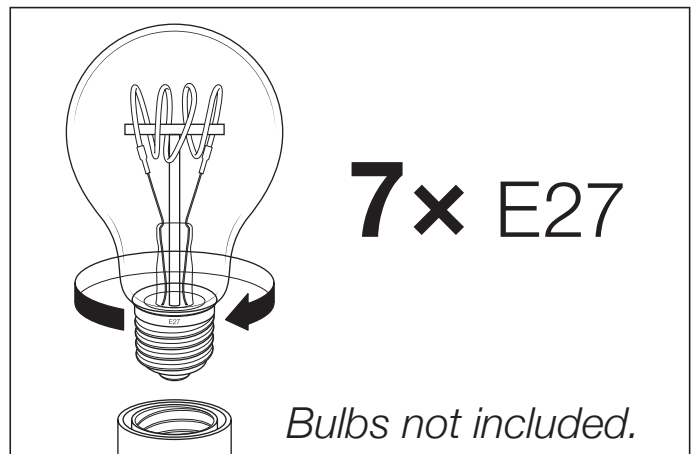
3. Connect the 3 wires according to their colours. Brown is the live wire, blue is the neutral wire, green/yellow is the earth wire.



4. Place the ceiling canopy over the crossbar and fix it securely with the nuts on both sides.



5. Link the lamp to the canopy using the chain link. Securely close the chain link once the lamp is linked to the canopy.



6. Carefully place the bulbs in the fittings. Do NOT turn the bulbs further than necessary, to prevent damage to the fitting.