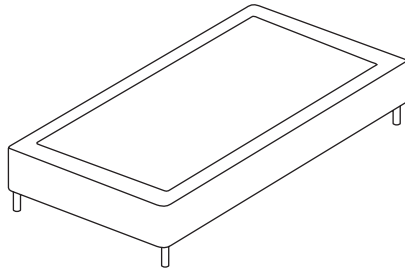
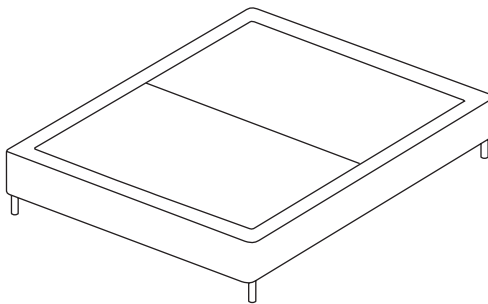




Kave® Cares



P. 4

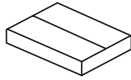


P. 10





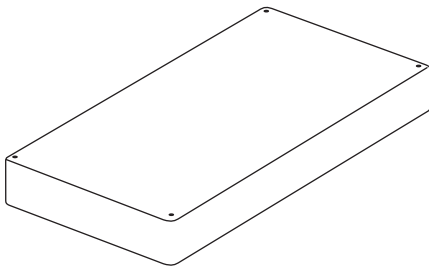
15 min



x3



x2



A x1



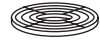
B x1



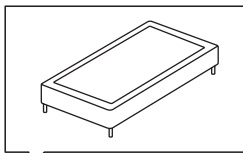
C x4

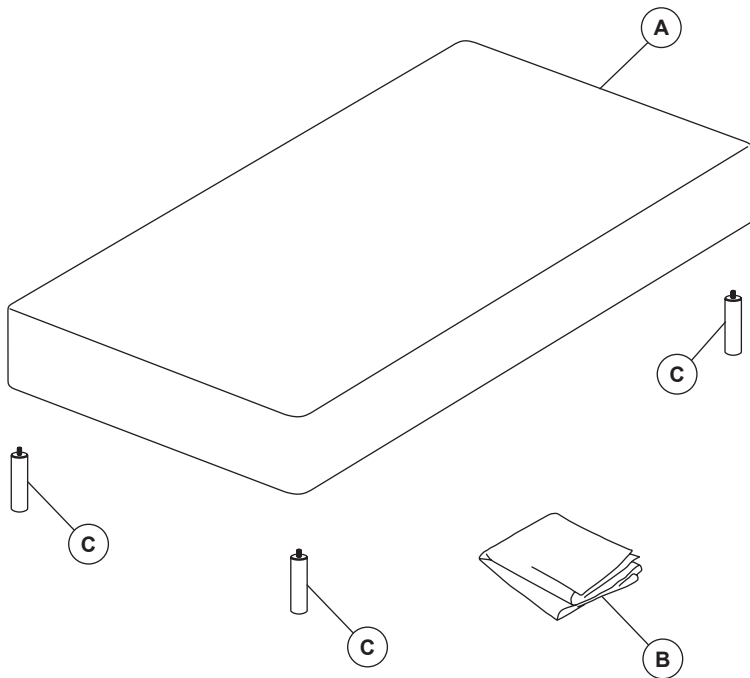


D x4

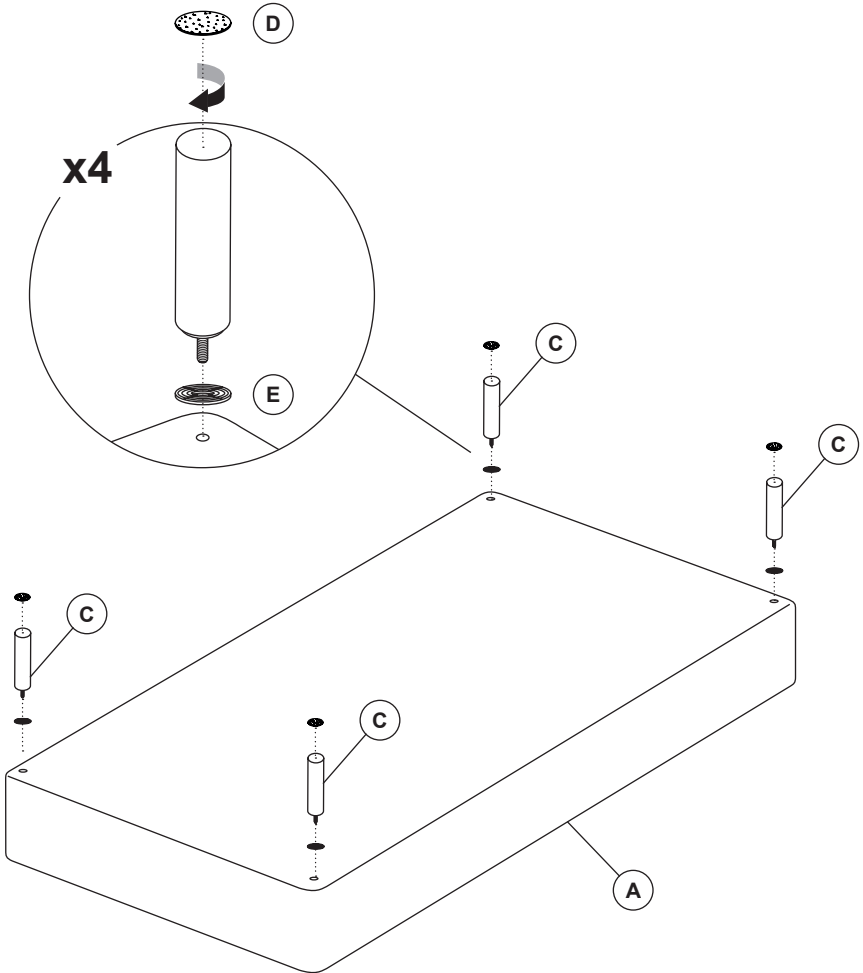


E x4

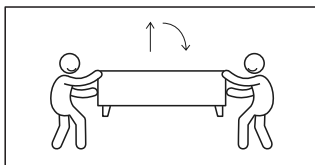
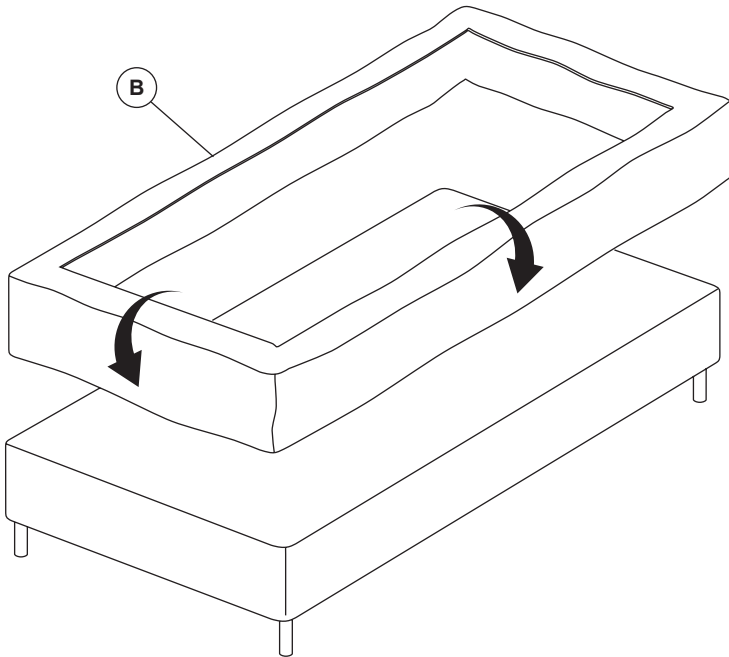




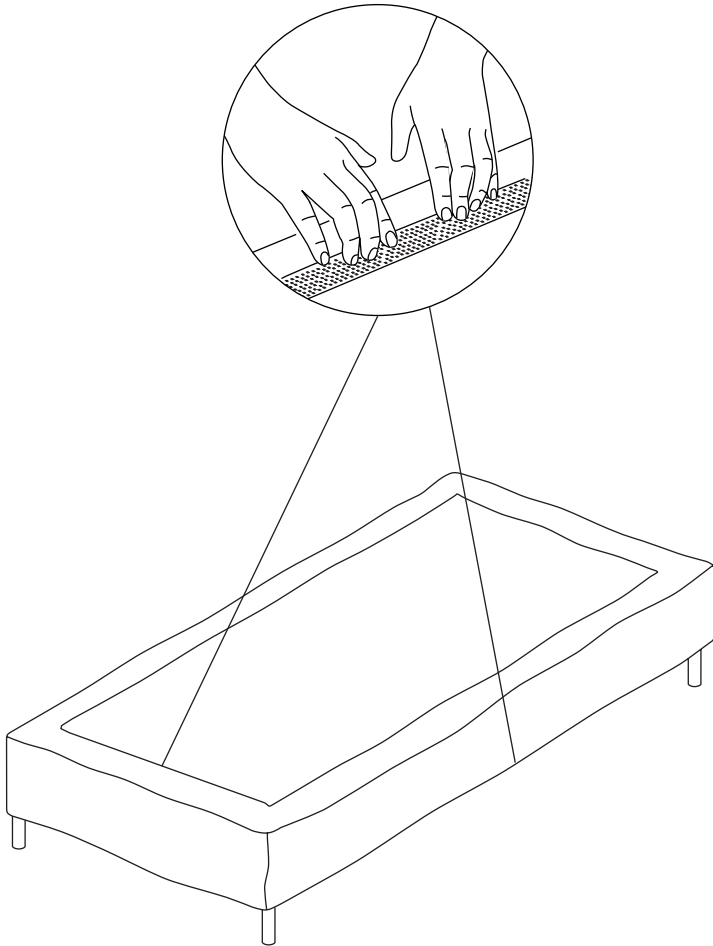
1

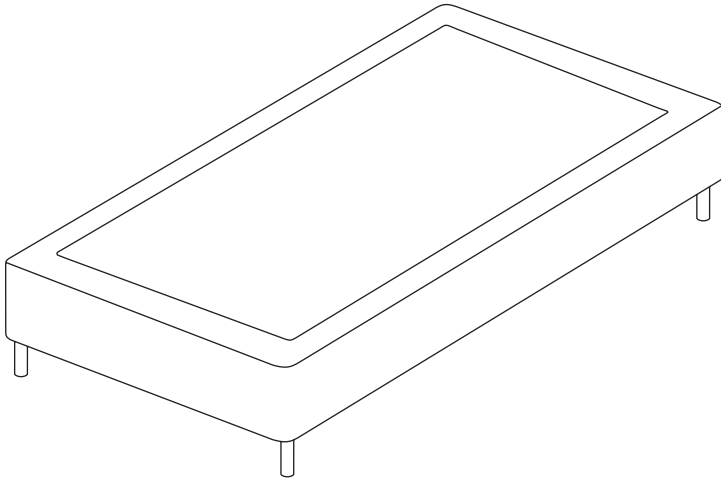


2



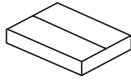
3







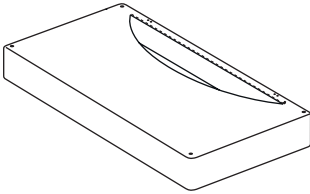
20 min



x4



x2



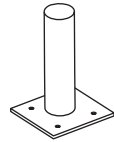
A x2



B x1



C x4



D x2



E x4
M8x60mm



F x8
M8x25mm



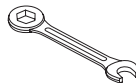
G x8
M8



H x4
M8



I x1



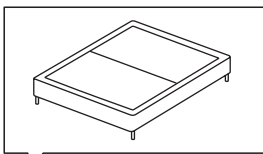
J x1

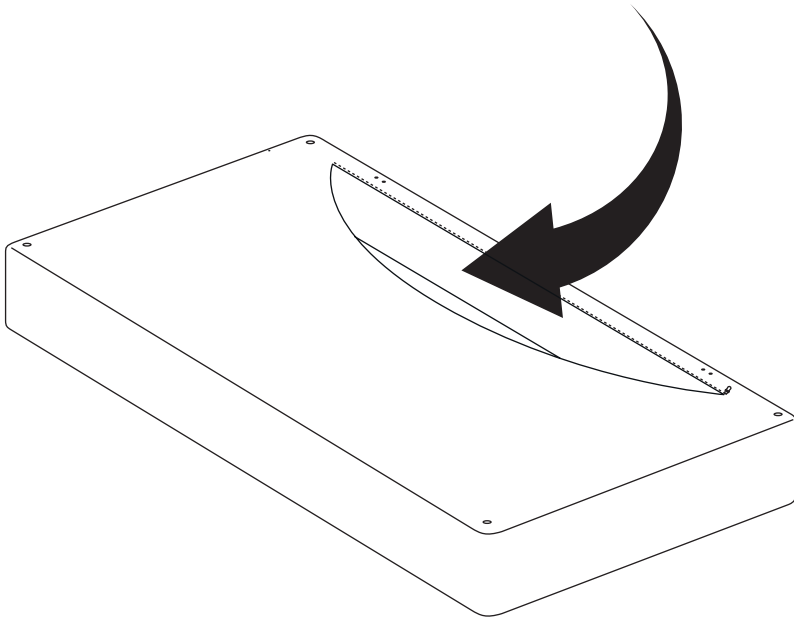
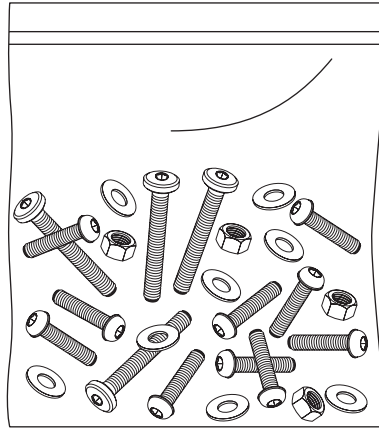
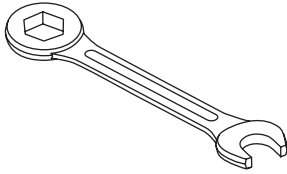


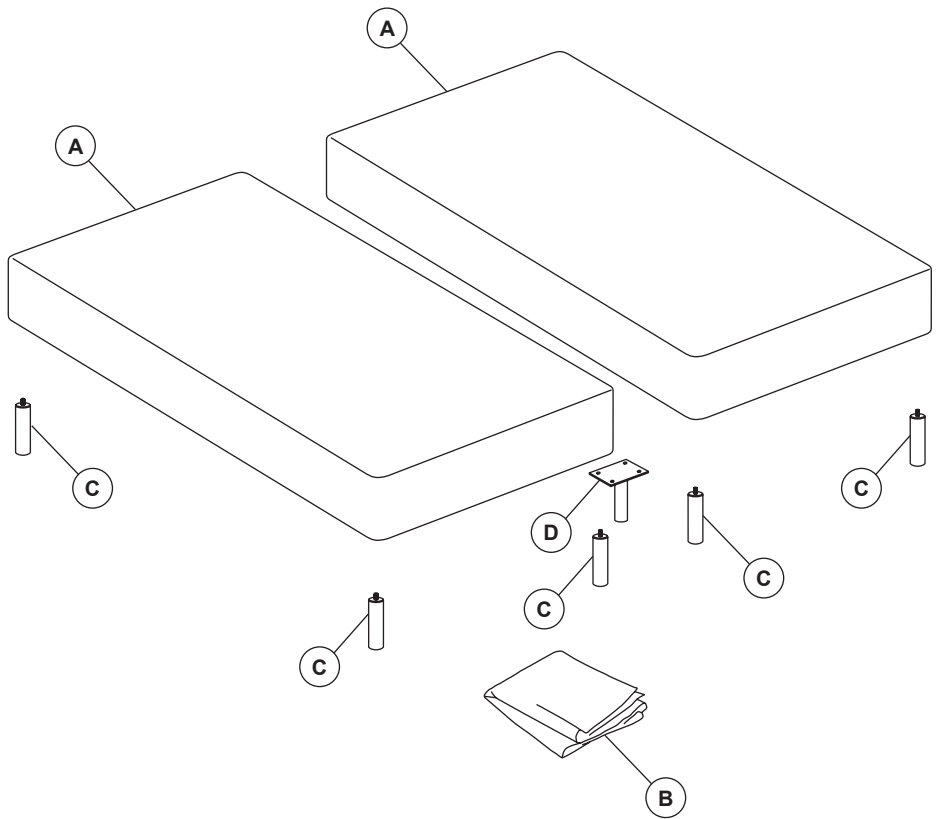
K x4



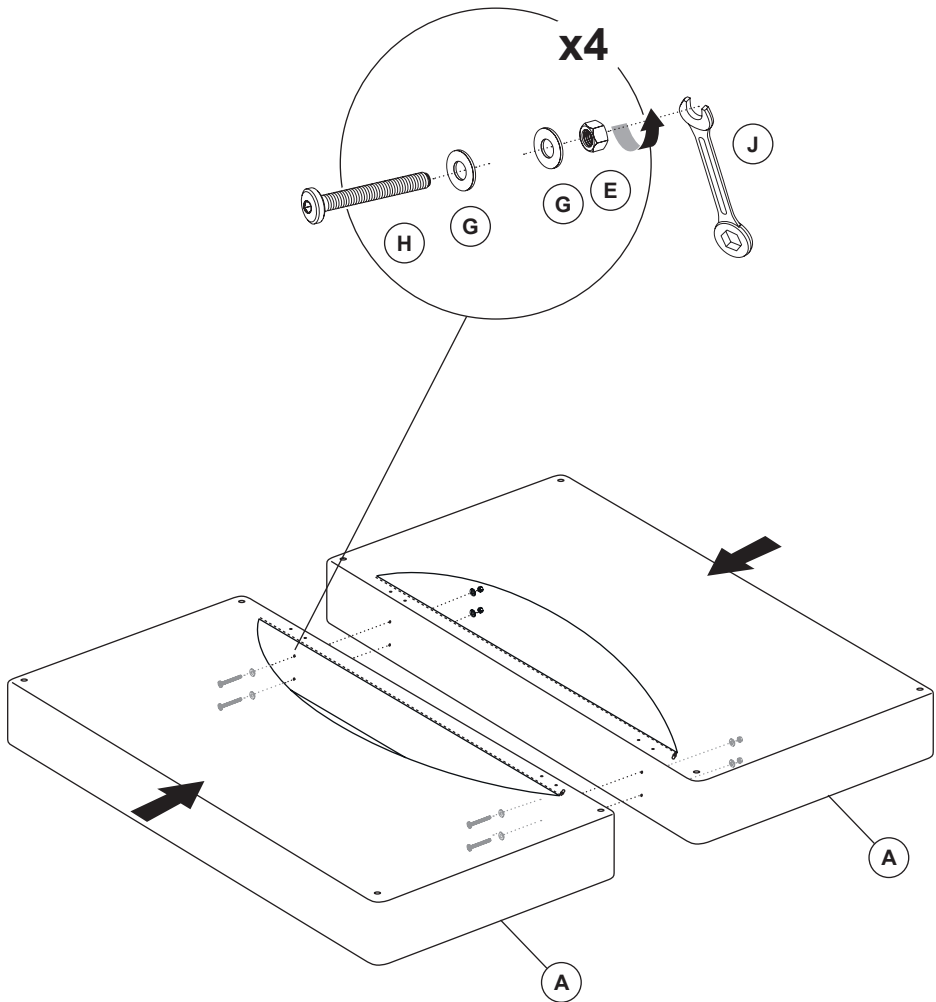
L x4



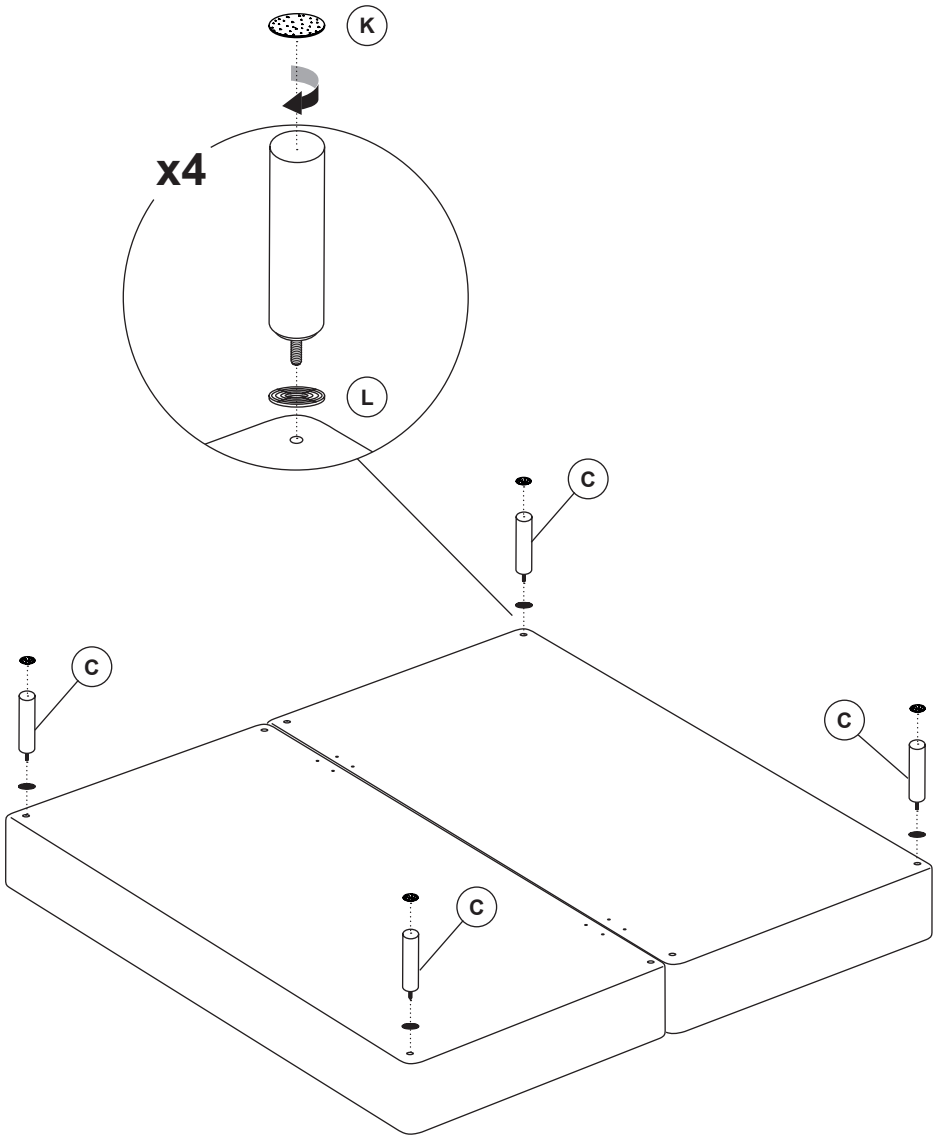




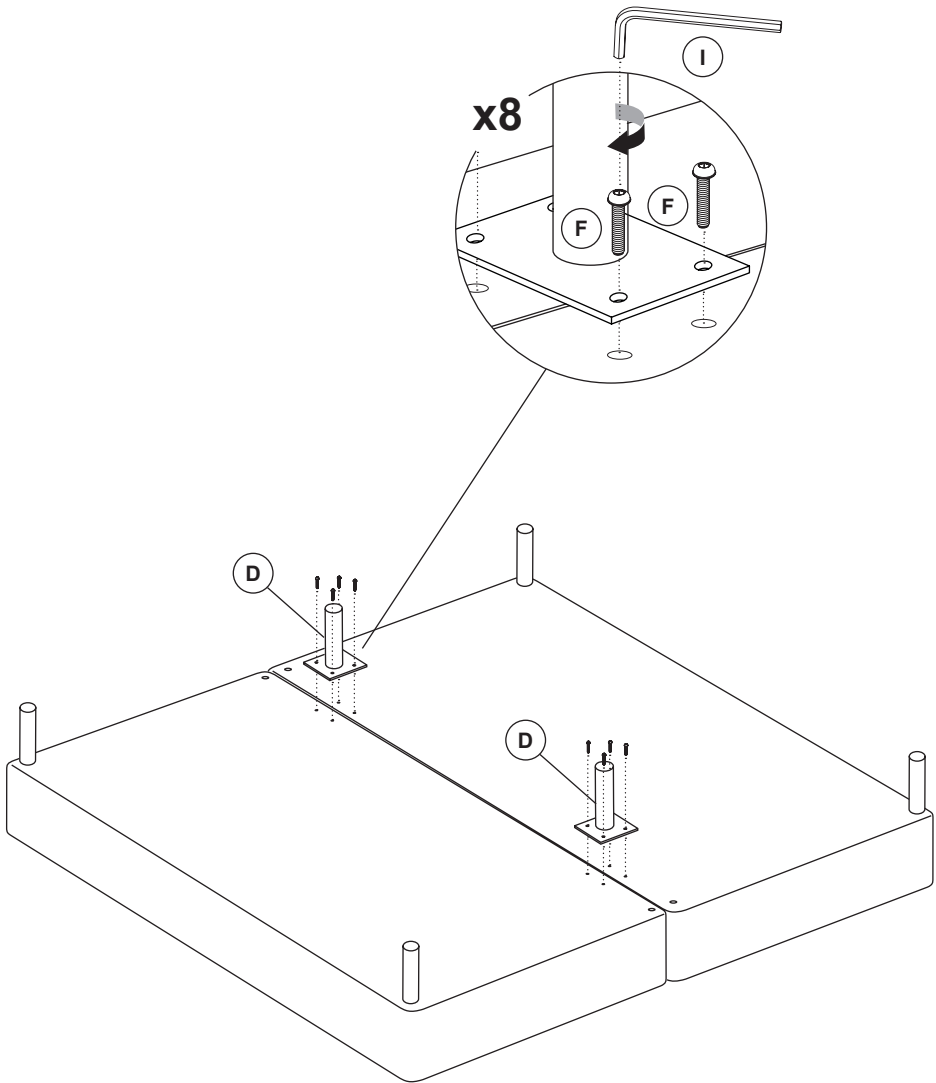
1



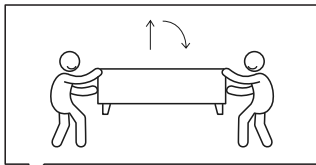
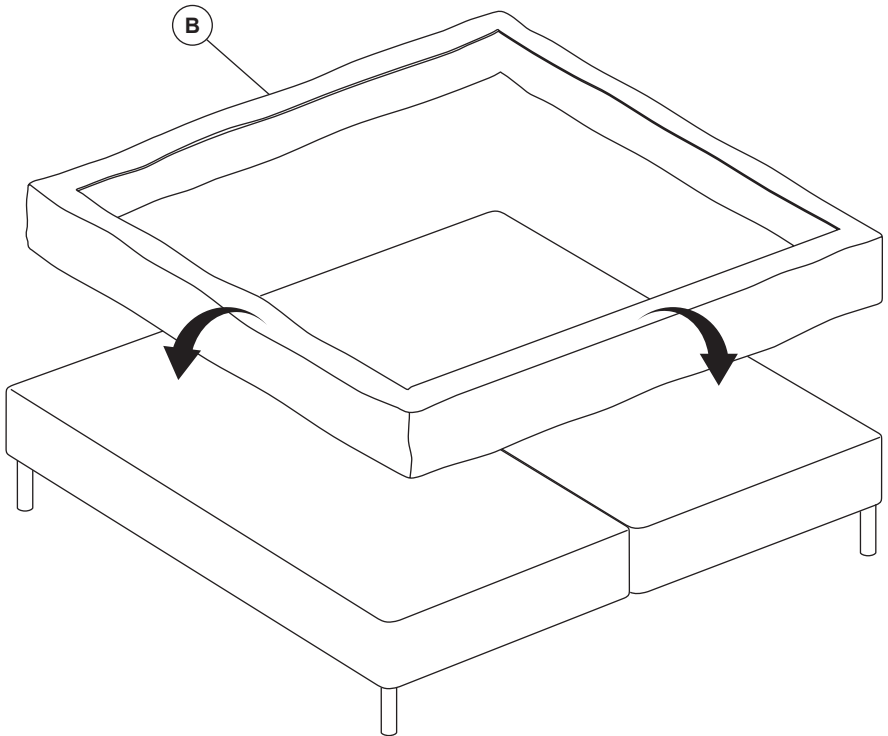
2



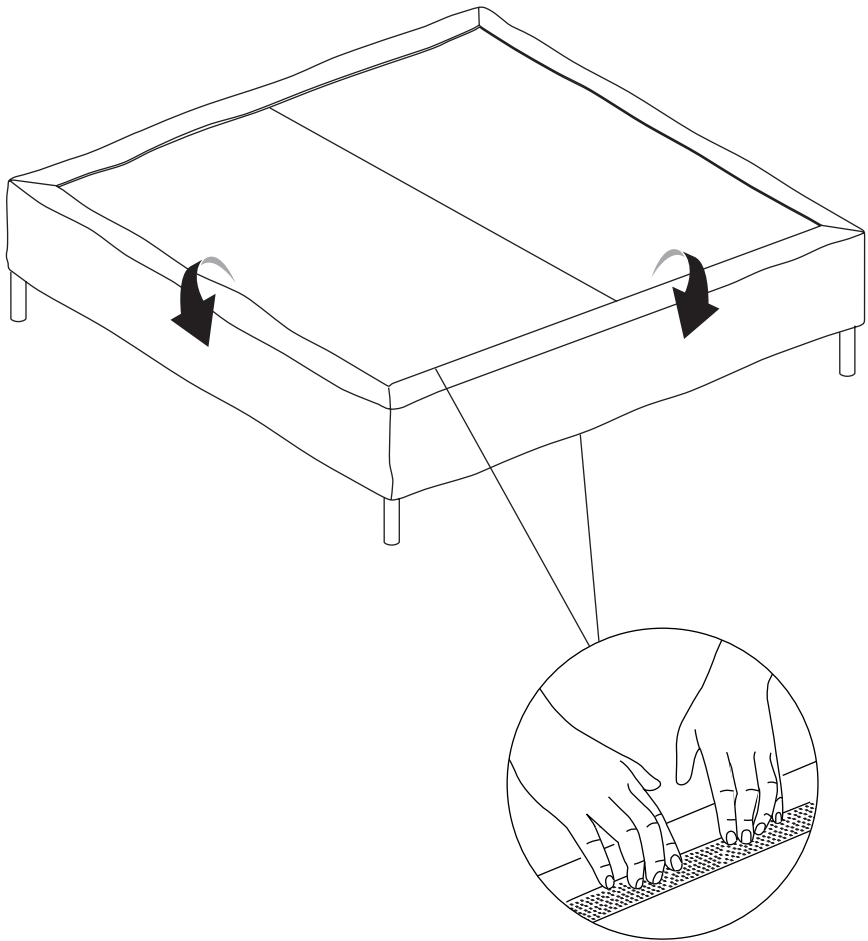
3

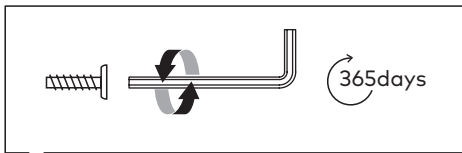
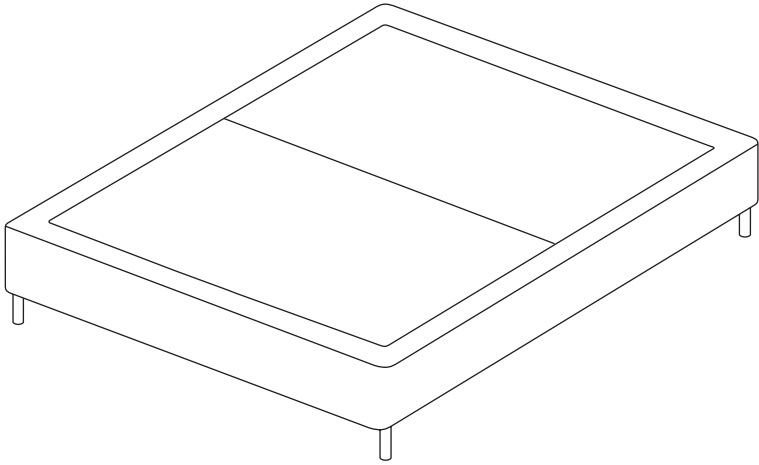


4



5







THAT'S ALL FOLKS

Share your style!

#KaveHome

