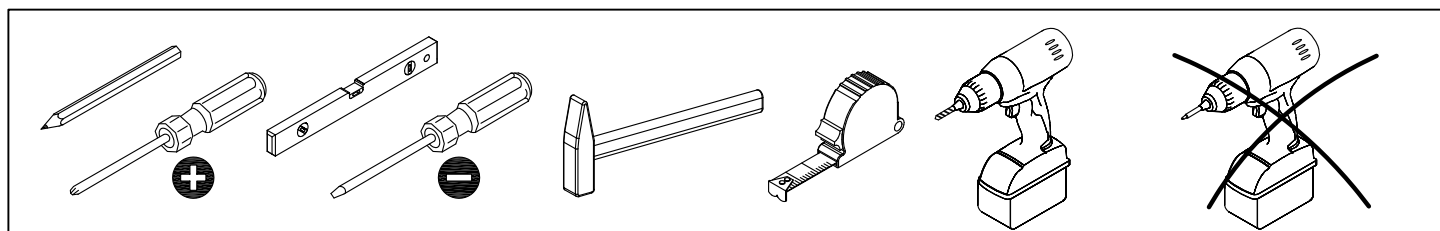
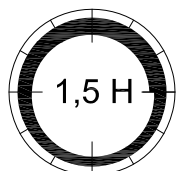
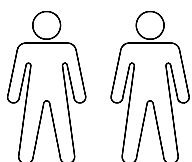
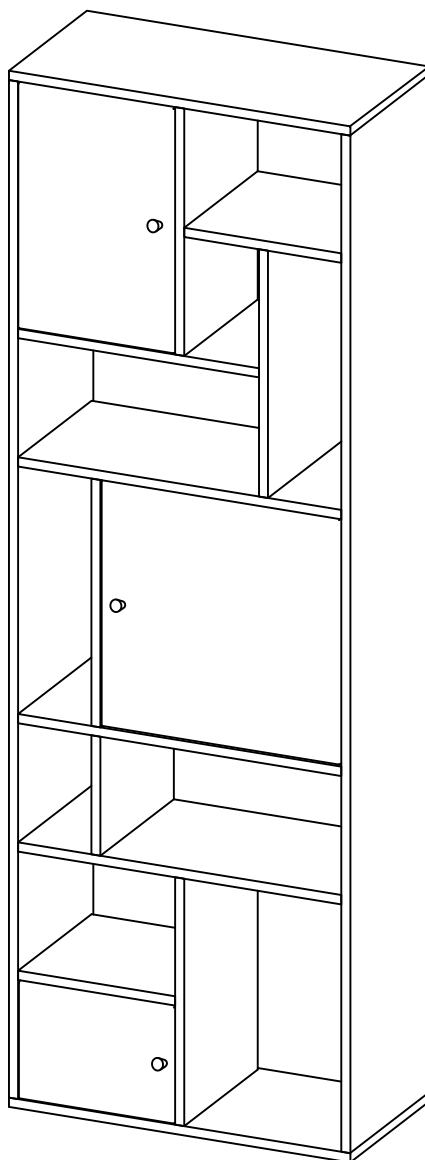
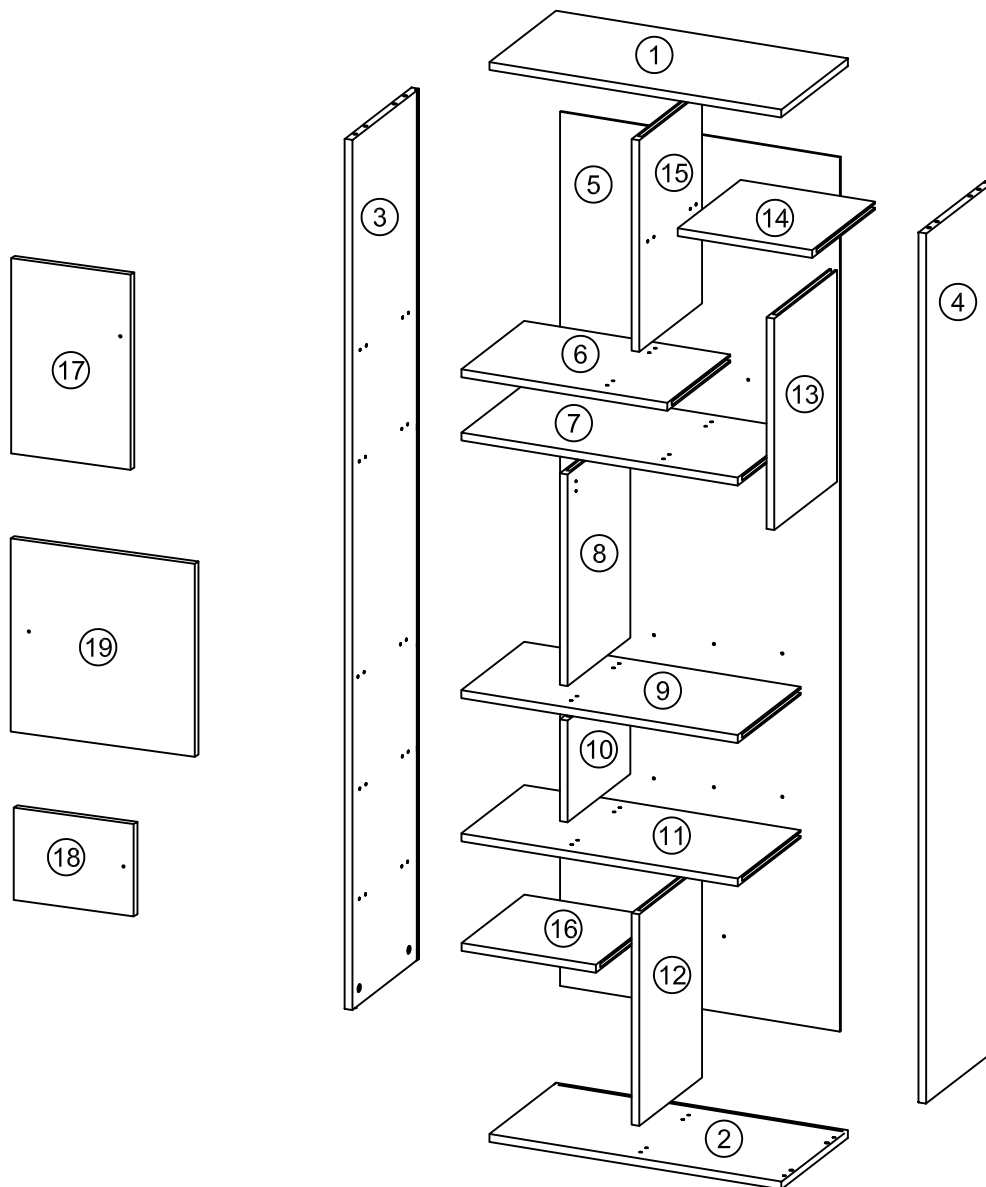


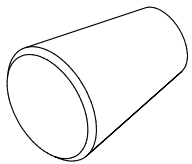
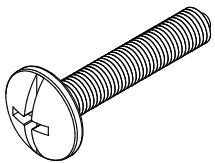
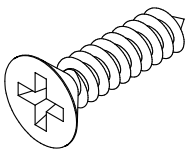
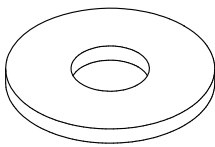
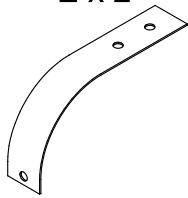
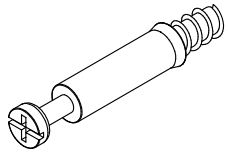
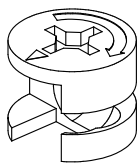
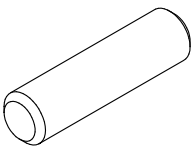
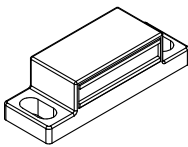
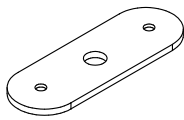
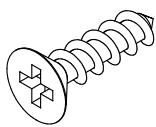
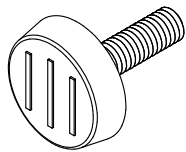
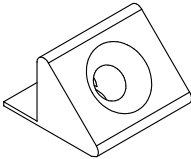
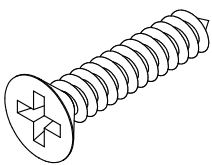
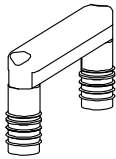
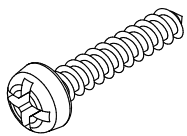
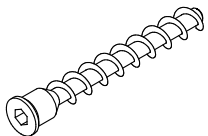
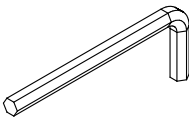
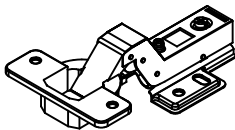
RANGOON



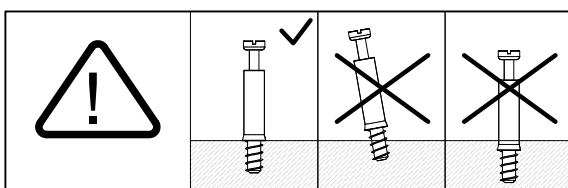
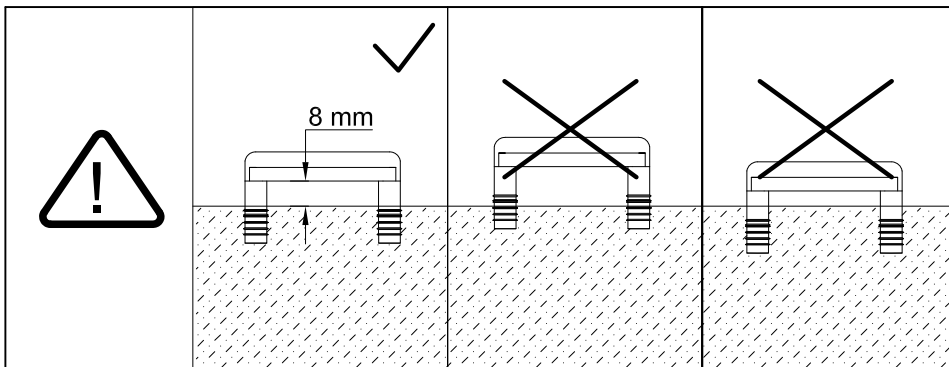
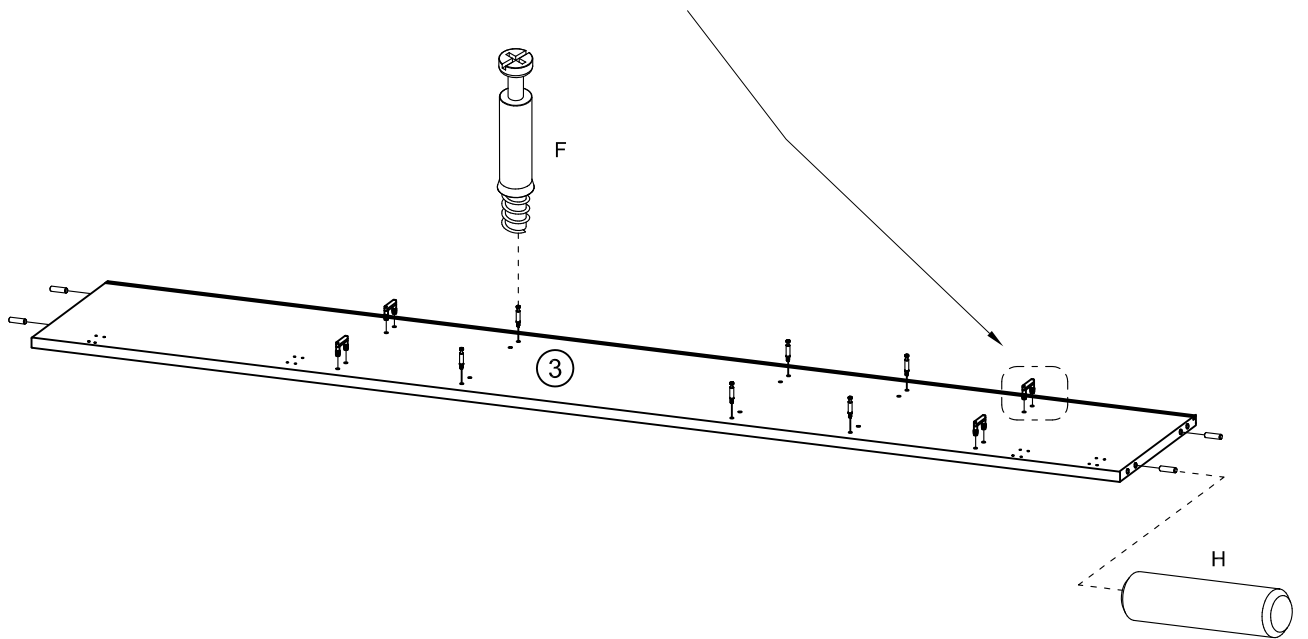
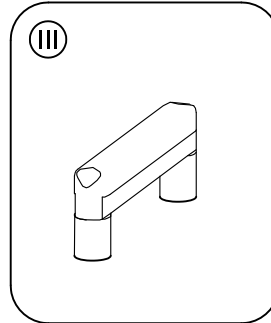
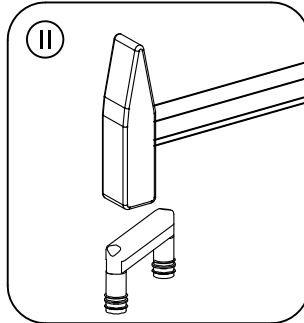
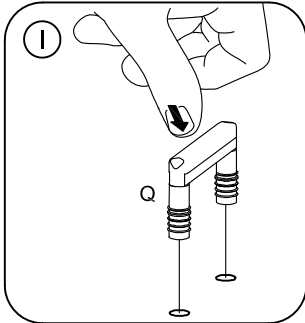
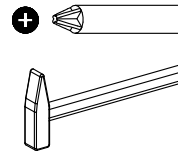
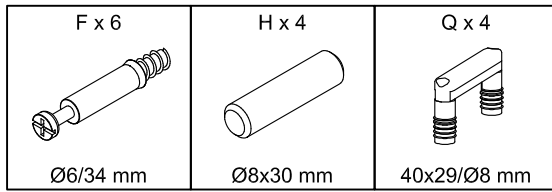
			✓
①	1	300x605x16	
②	1	300x605x26	
③	1	1758x299x16	
④	1	1758x299x16	
⑤	1	1770x583x4	
⑥	1	427x274x16	
⑦	1	571x274x16	
⑧	1	427x274x16	
⑨	1	571x274x16	
⑩	1	208x274x16	

			✓
⑪	1	571x274x16	
⑫	1	427x274x16	
⑬	1	427x274x16	
⑭	1	277x274x16	
⑮	1	427x274x16	
⑯	1	277x274x16	
⑰	1	421x271x16	
⑱	1	200x271x16	
⑲	1	421x421x16	

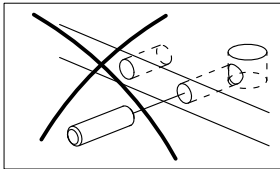
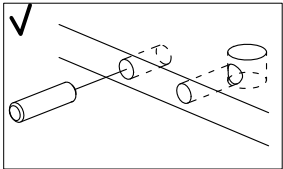
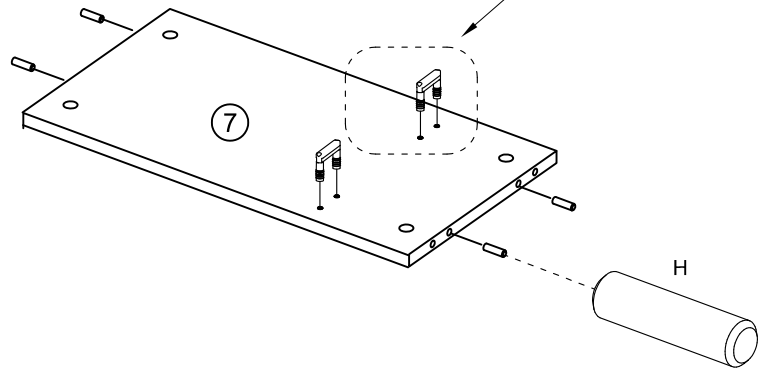
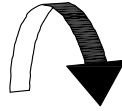
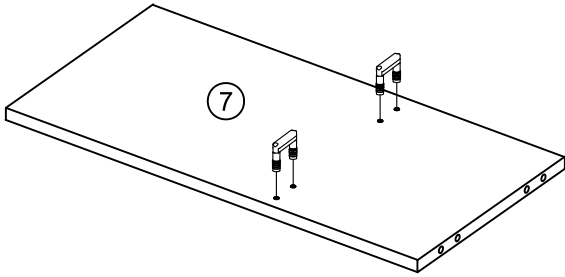
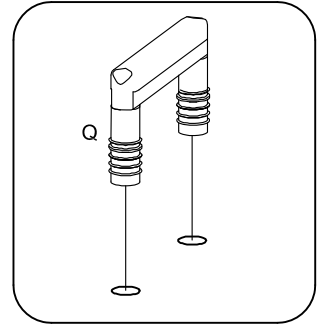
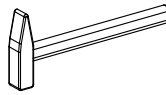
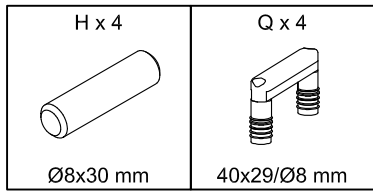


<p>A x 3</p>  <p>Ø11/Ø16x22</p>	<p>B x 3</p>  <p>M4x22 mm</p>	<p>C x 36</p>  <p>Ø4x15 mm</p>	<p>D x 18</p>  <p>Ø4/Ø12 mm</p>	<p>E x 2</p>  <p>150x26 mm</p>
<p>F x 12</p>  <p>Ø6/34 mm</p>	<p>G x 12</p>  <p>Ø15x11 mm</p>	<p>H x 20</p>  <p>Ø8x30 mm</p>	<p>J x 3</p>  <p>46x15 mm</p>	<p>K x 3</p>  <p>35x12 mm</p>
<p>L x 3</p>  <p>Ø3x12 mm</p>	<p>M x 4</p>  <p>M8/Ø25x7 mm</p>	<p>N x 14</p>  <p>15x15x10 mm</p>	<p>P x 14</p>  <p>Ø4x20mm</p>	<p>Q x 30</p>  <p>40x29/Ø8 mm</p>
<p>R x 22</p>  <p>Ø3x15 mm</p>	<p>S x 10</p>  <p>Ø7/Ø10x60 mm</p>	<p>T x 1</p>  <p>4 mm</p>	<p>V x 6</p>  <p>Ø26/FK17</p>	

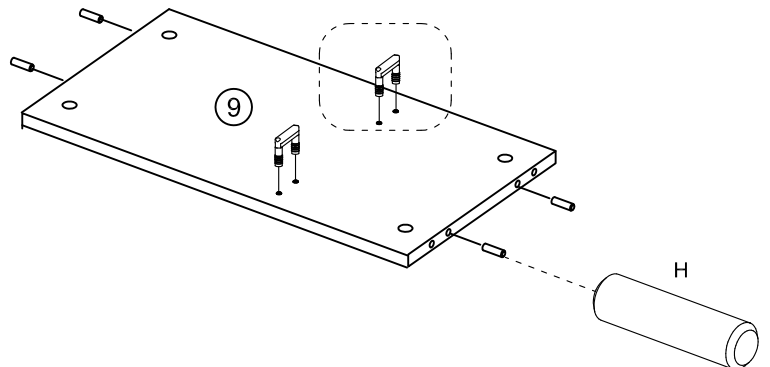
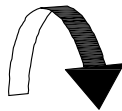
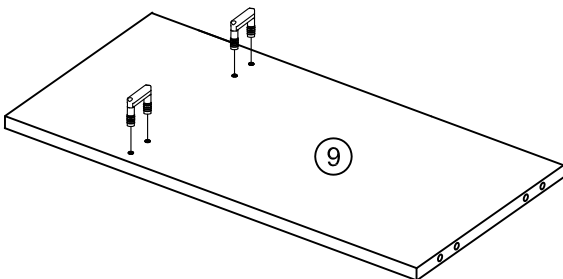
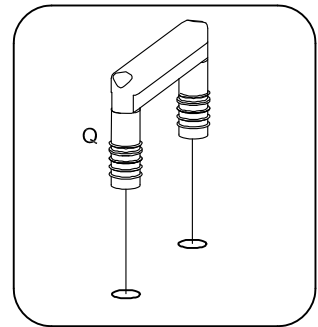
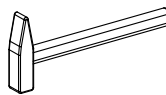
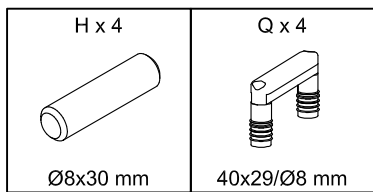
1



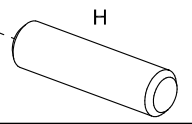
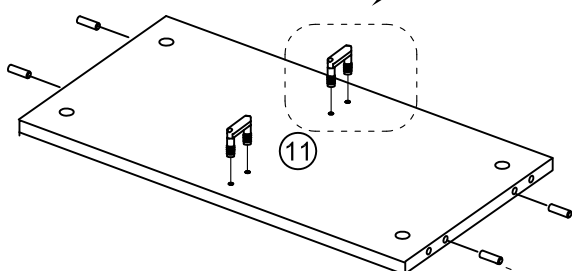
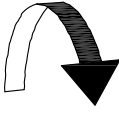
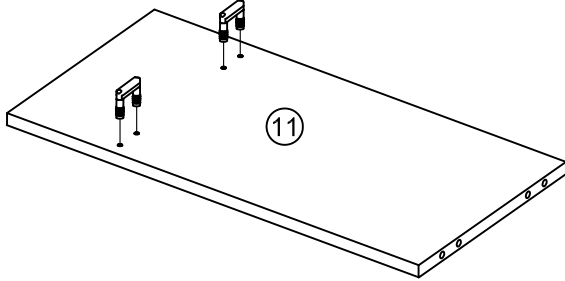
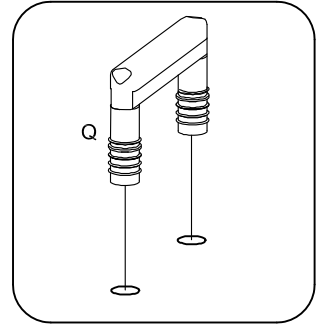
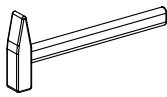
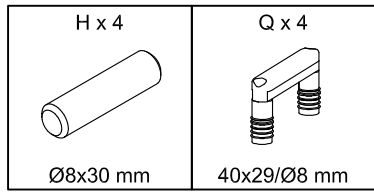
2



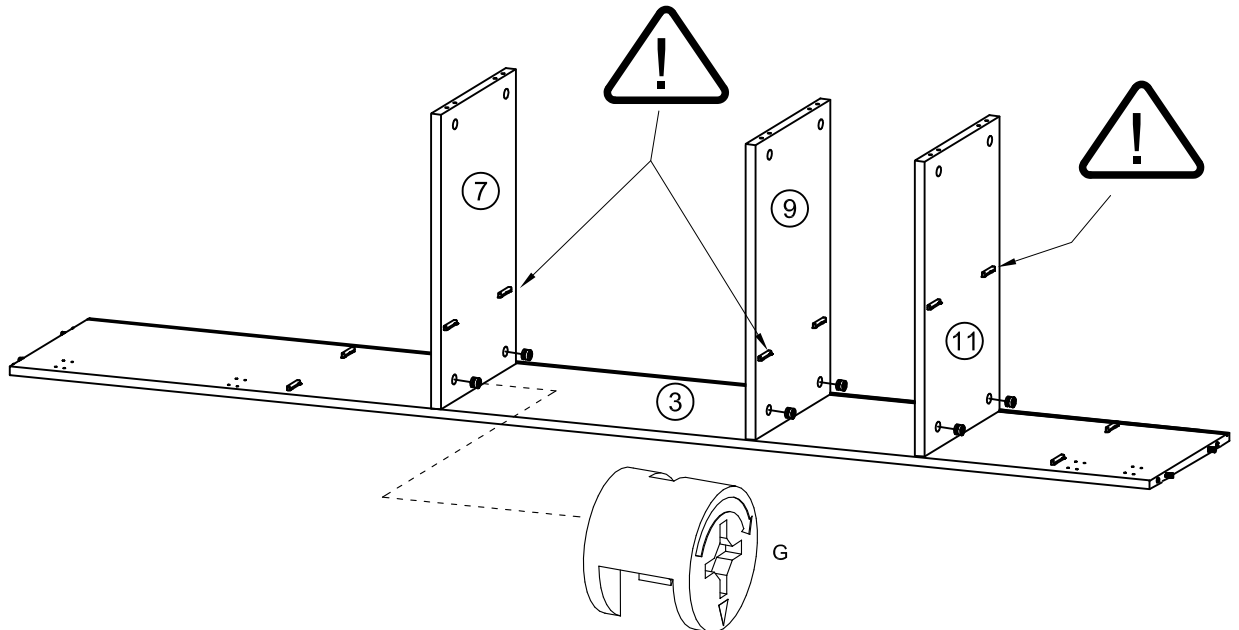
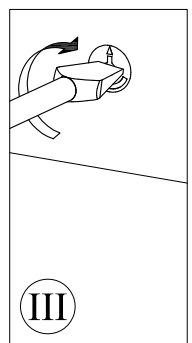
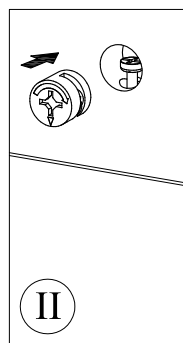
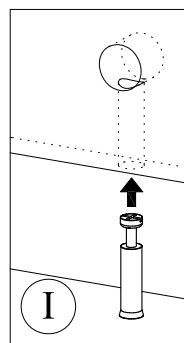
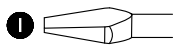
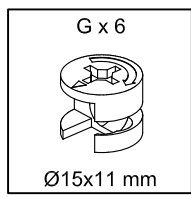
3



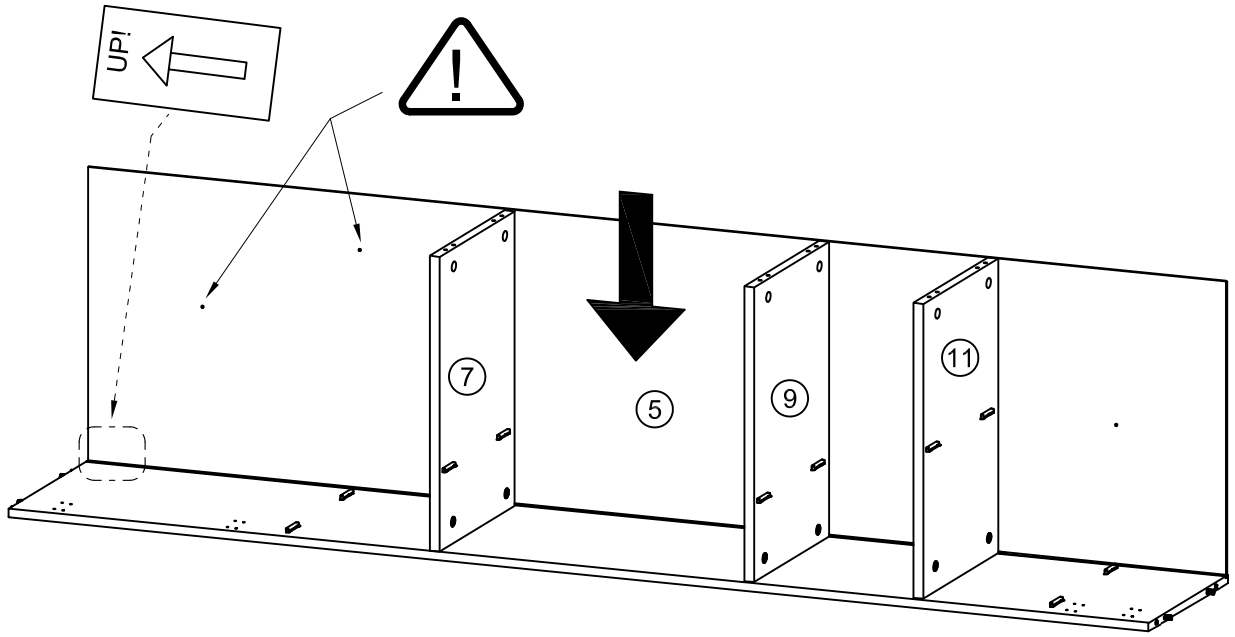
4



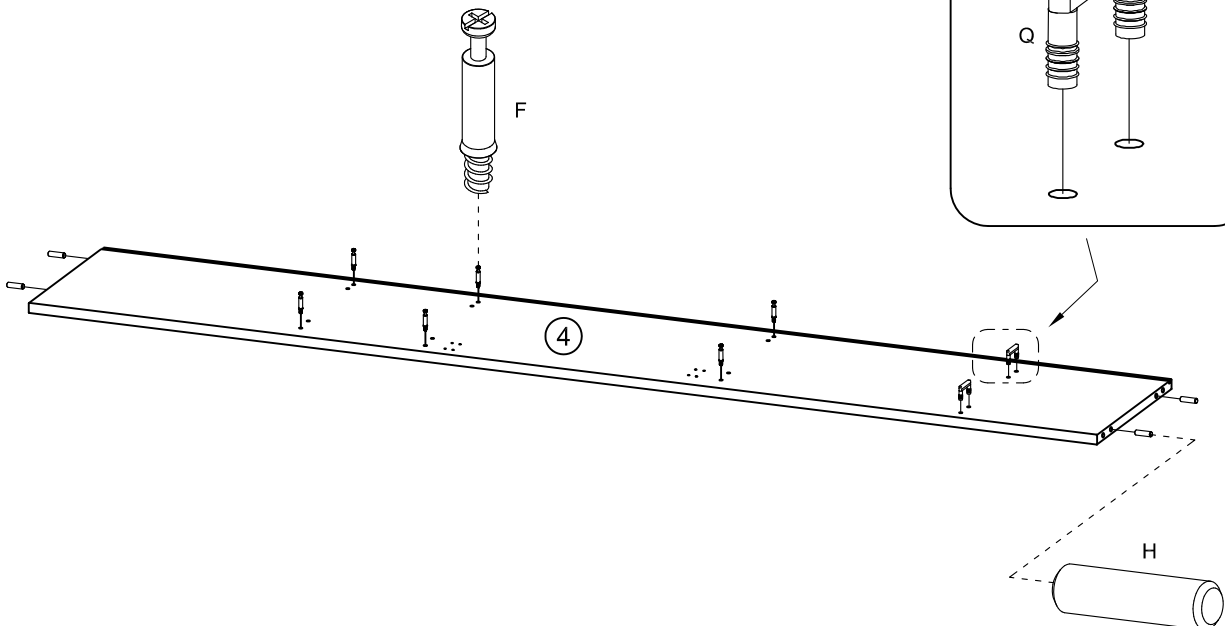
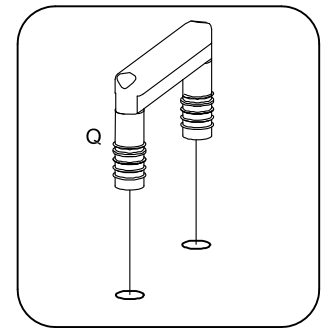
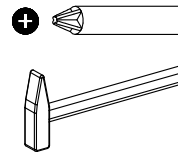
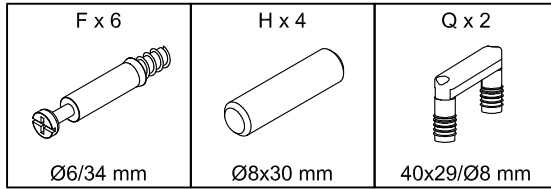
5



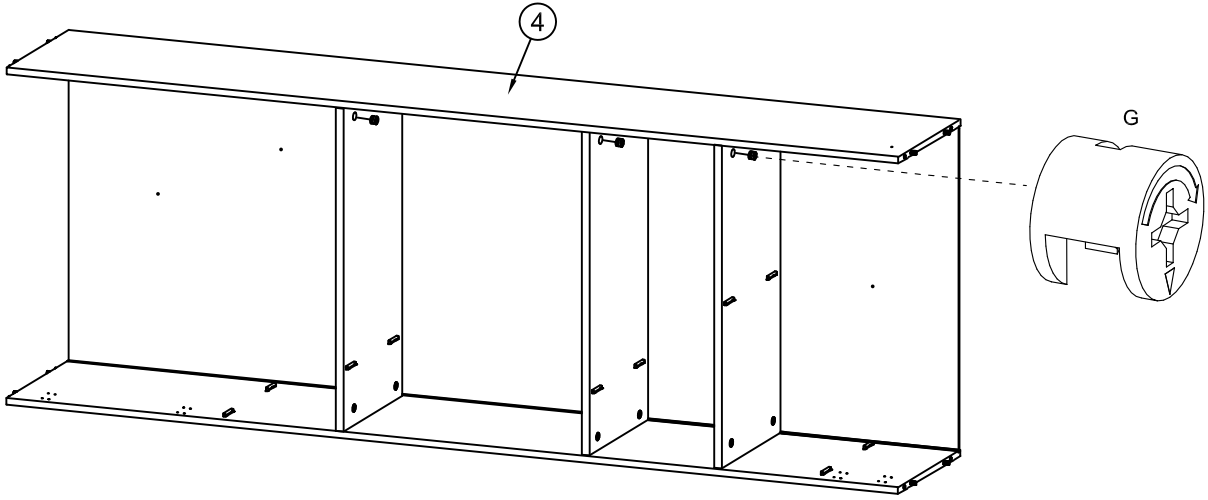
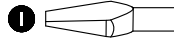
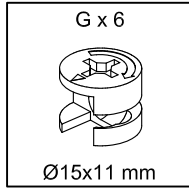
6



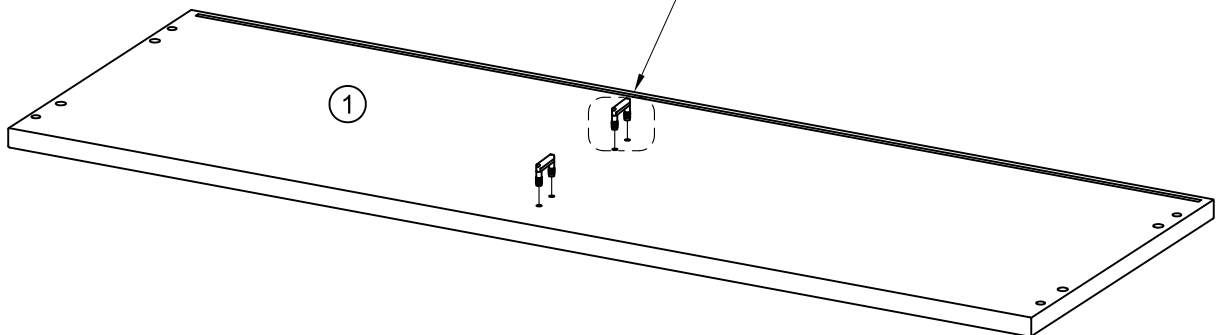
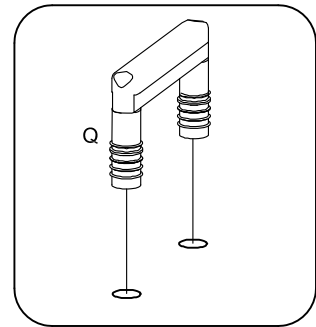
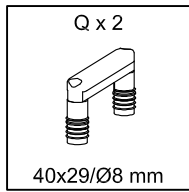
7



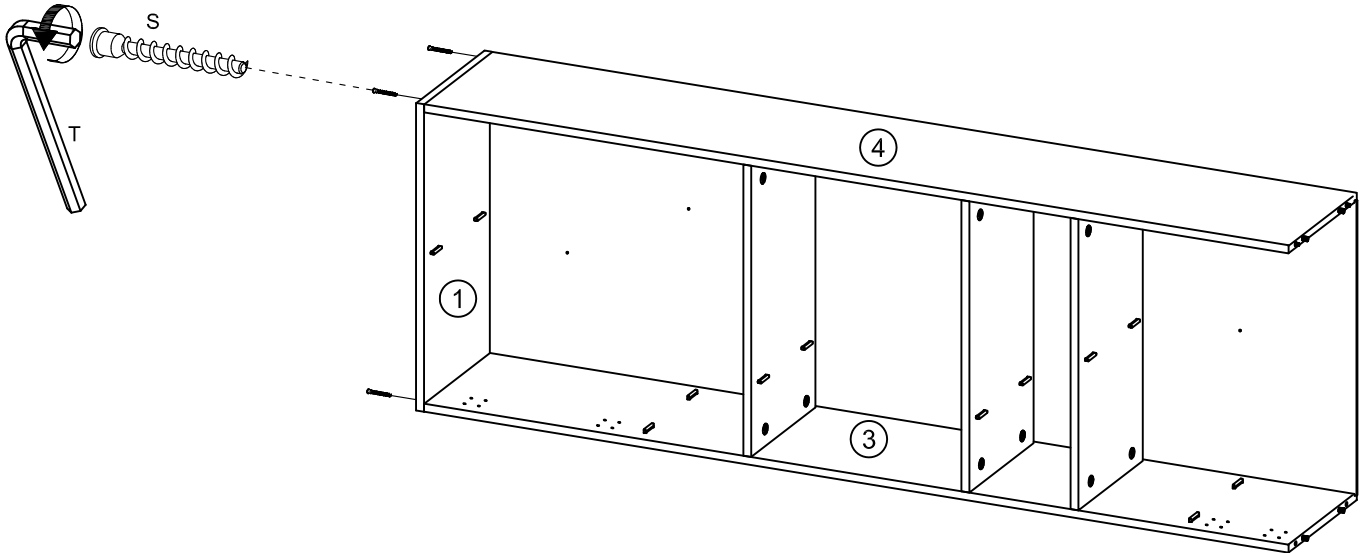
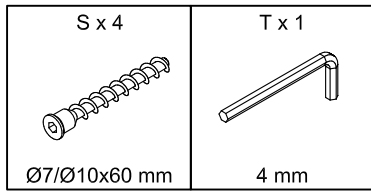
8



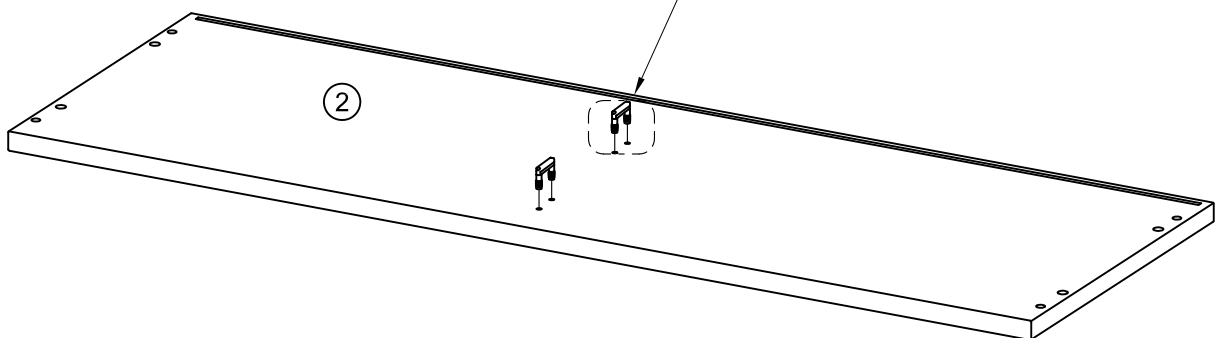
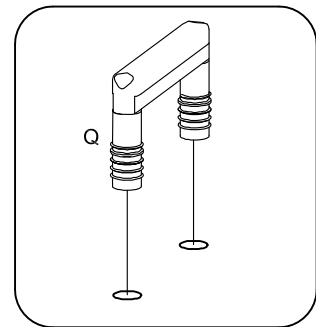
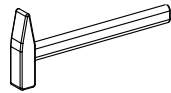
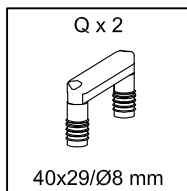
9



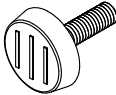
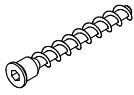
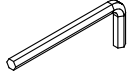
10

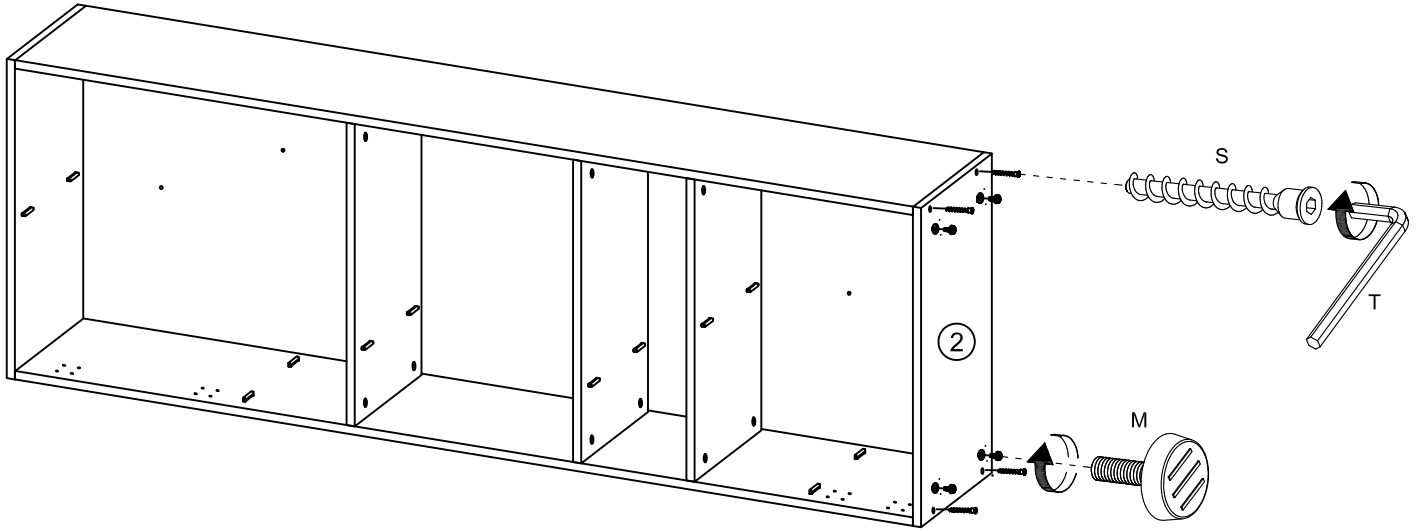


11

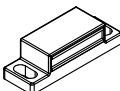
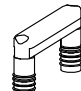
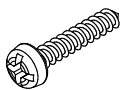


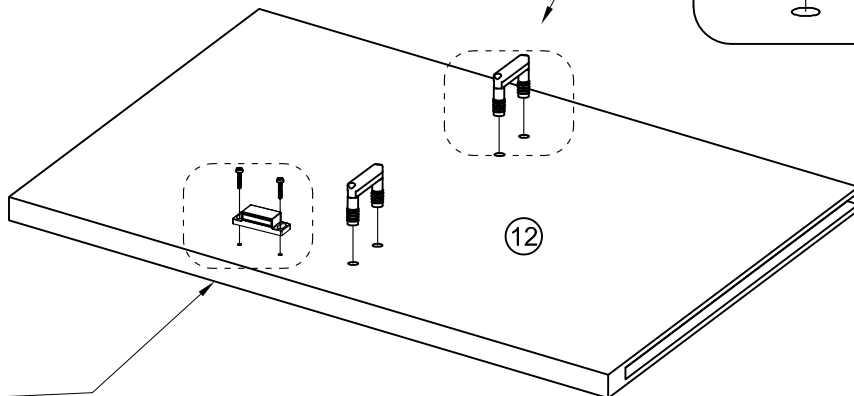
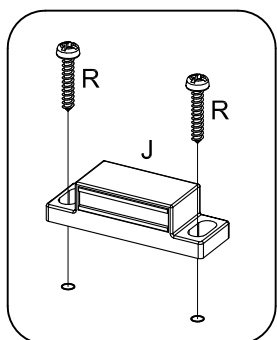
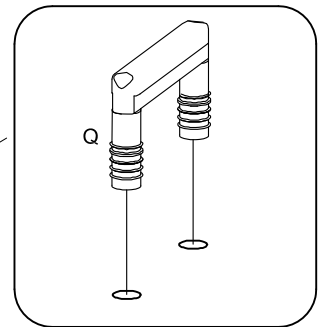
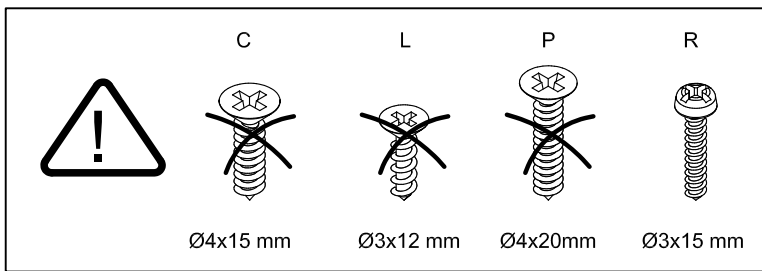
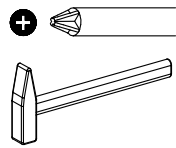
12

M x 4  M8/Ø25x7 mm	S x 4  Ø7/Ø10x60 mm	T x 1  4 mm
---	--	--

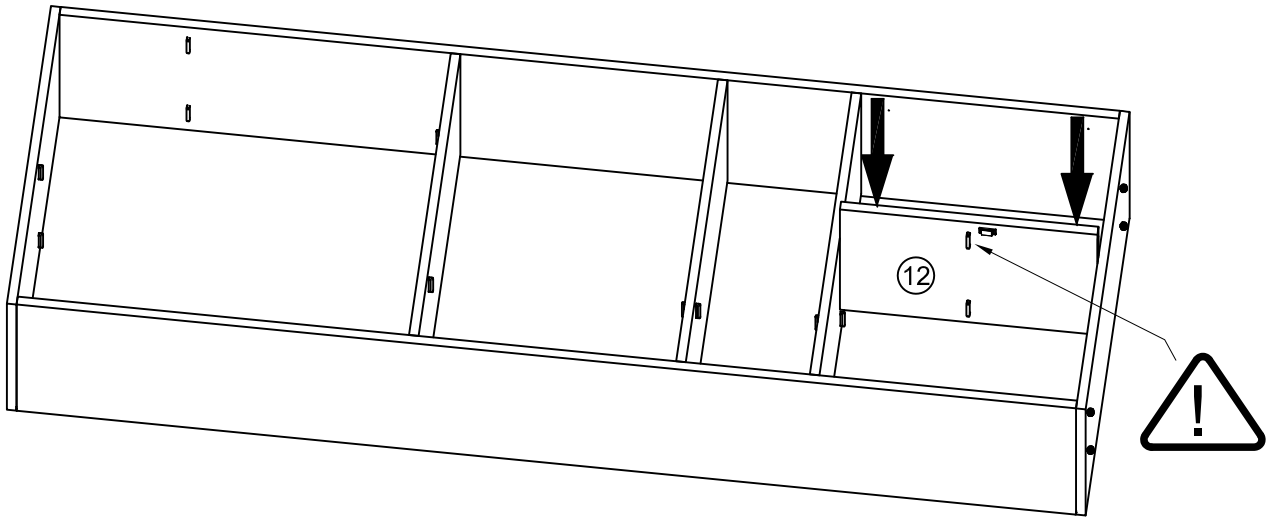


13

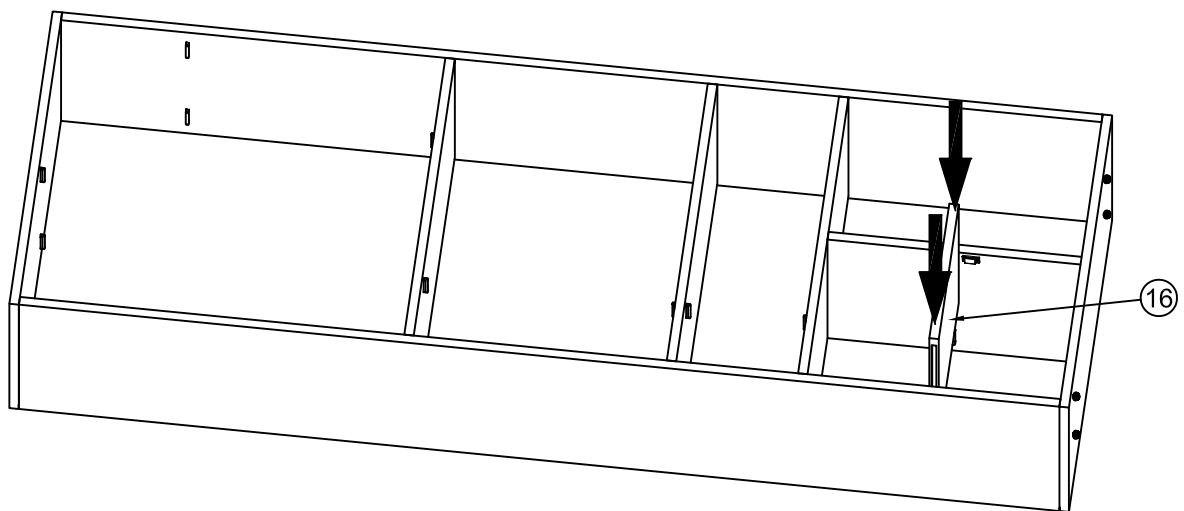
J x 1  46x15 mm	Q x 2  40x29/Ø8 mm	R x 2  Ø3x15 mm
--	---	--



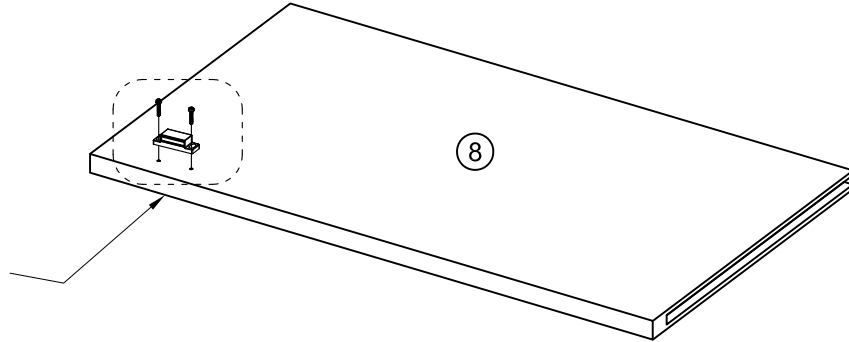
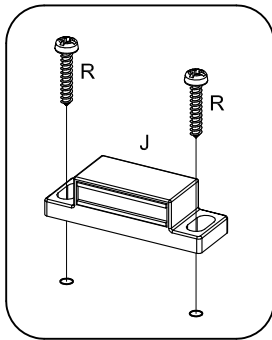
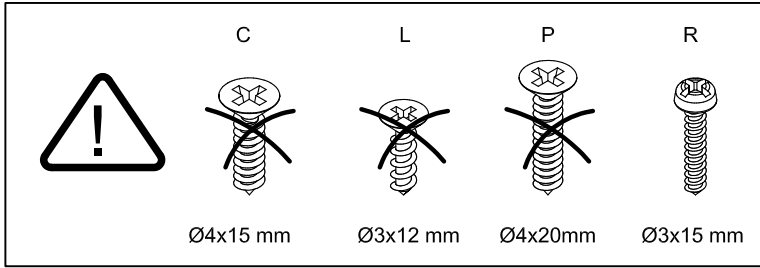
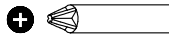
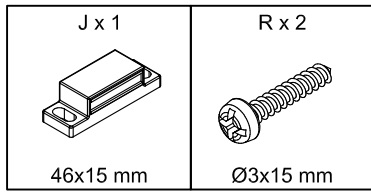
14



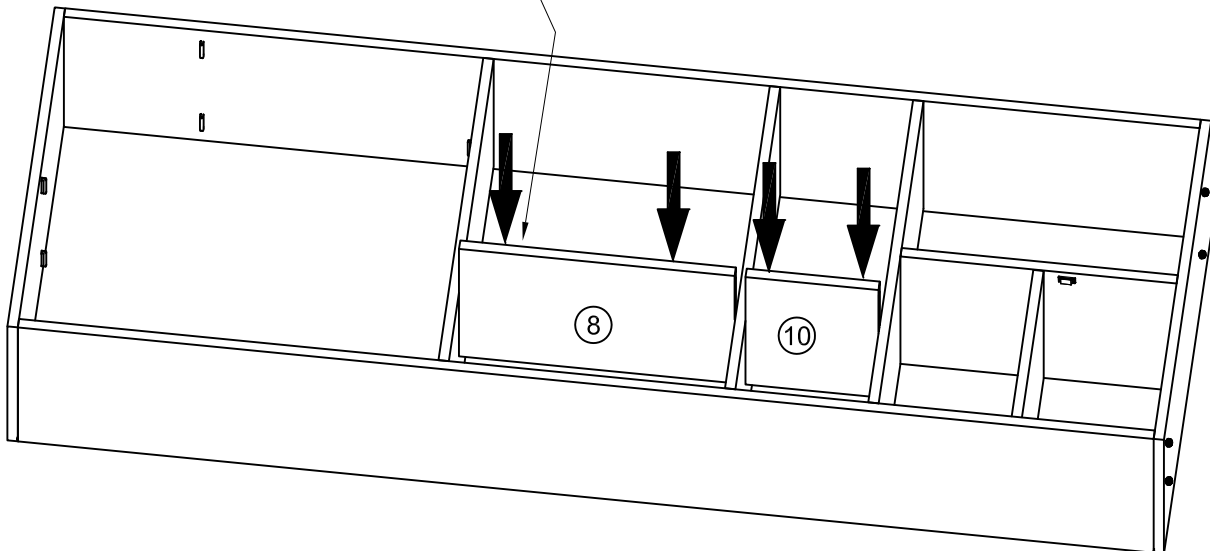
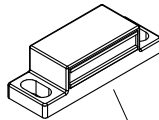
15



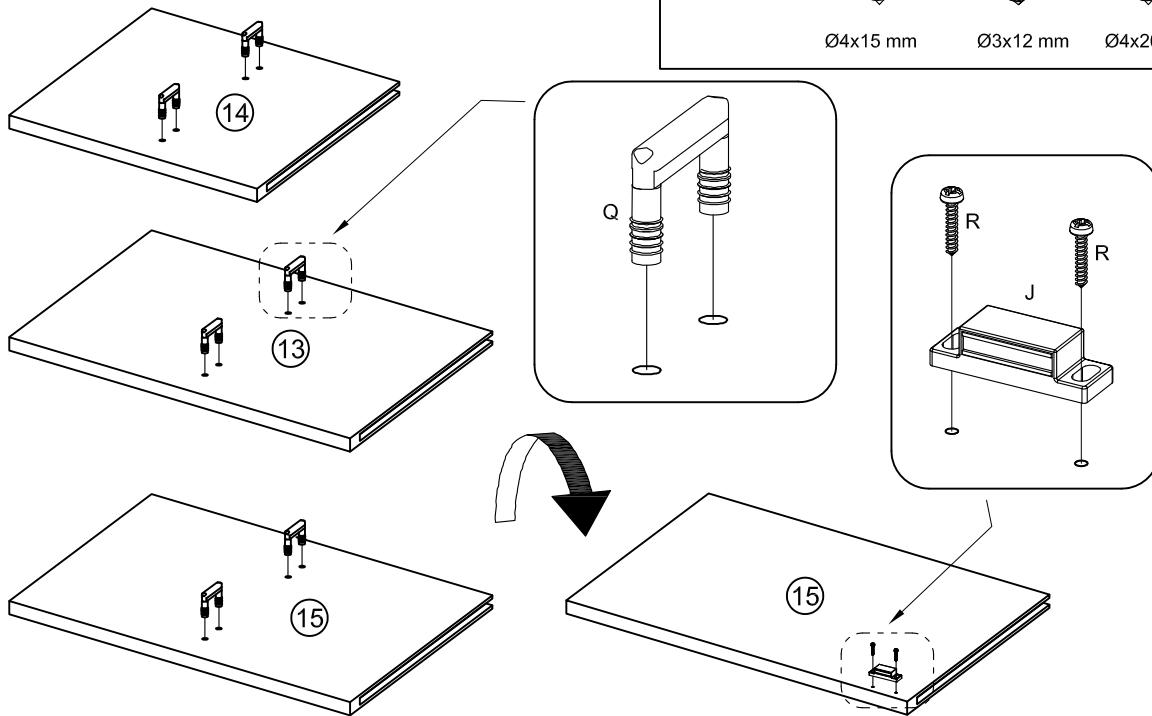
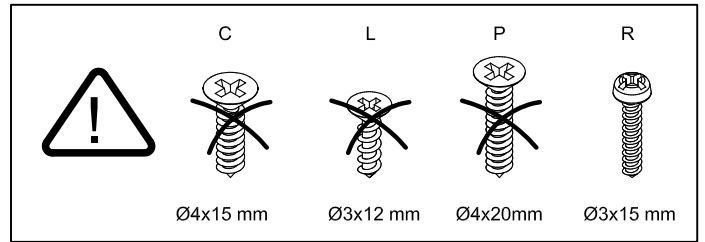
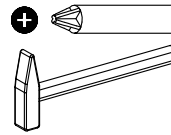
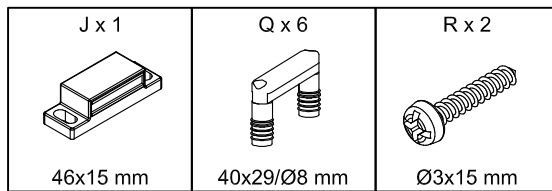
16



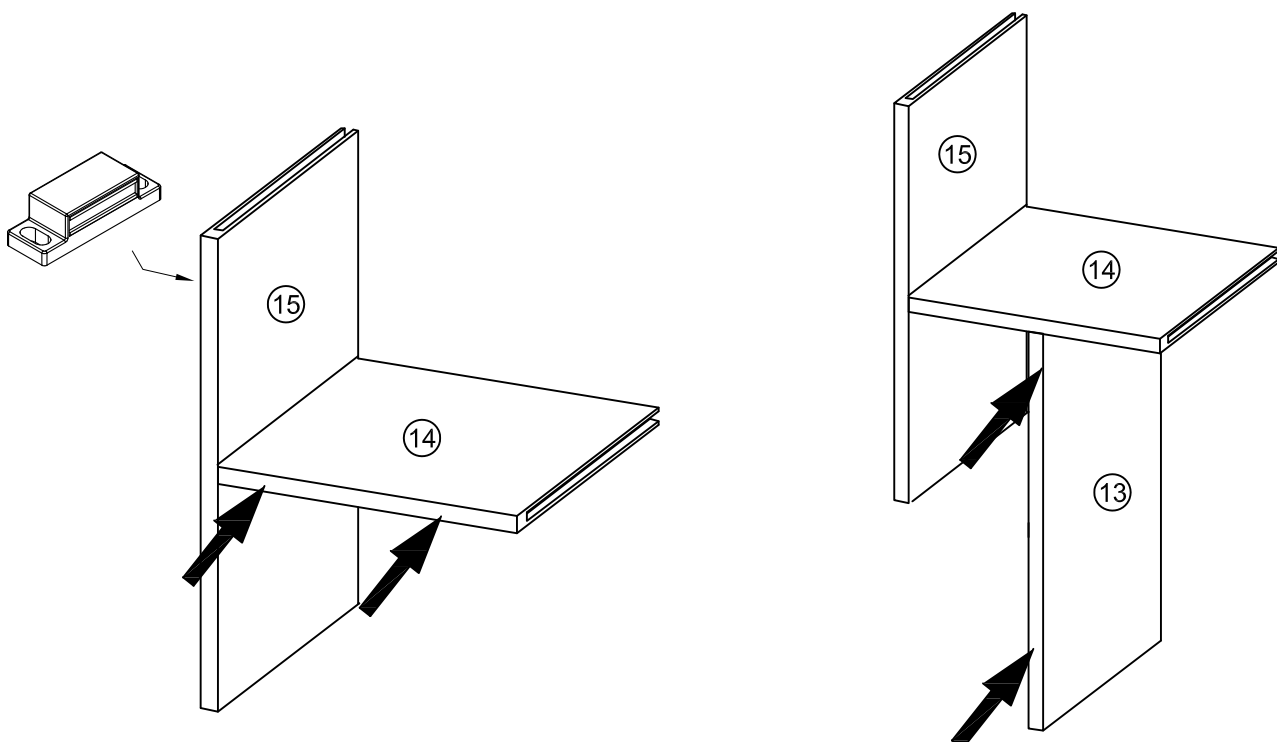
17



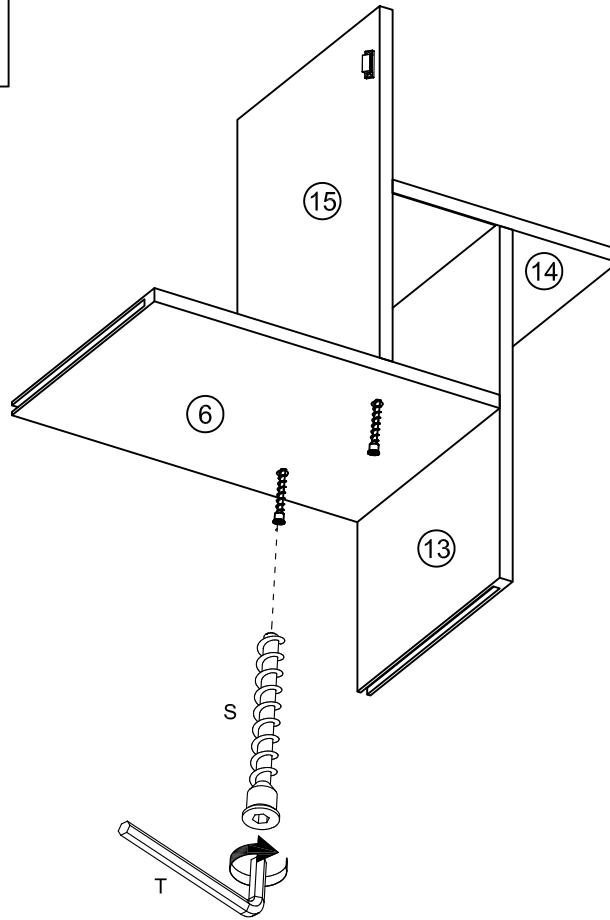
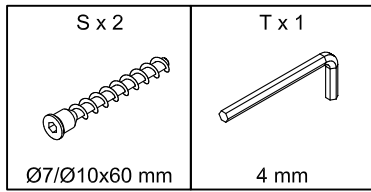
18



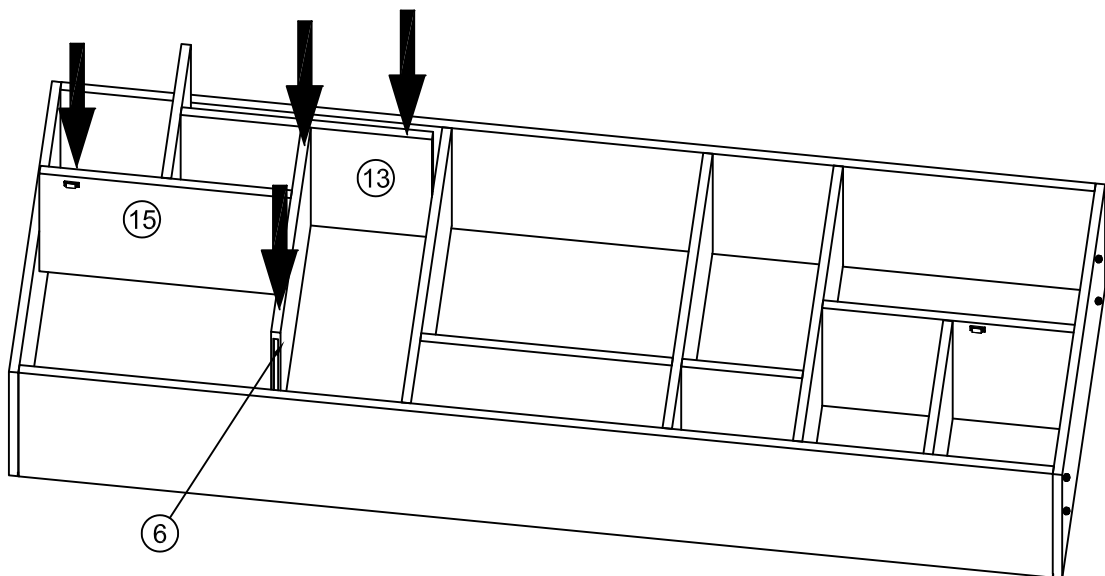
19



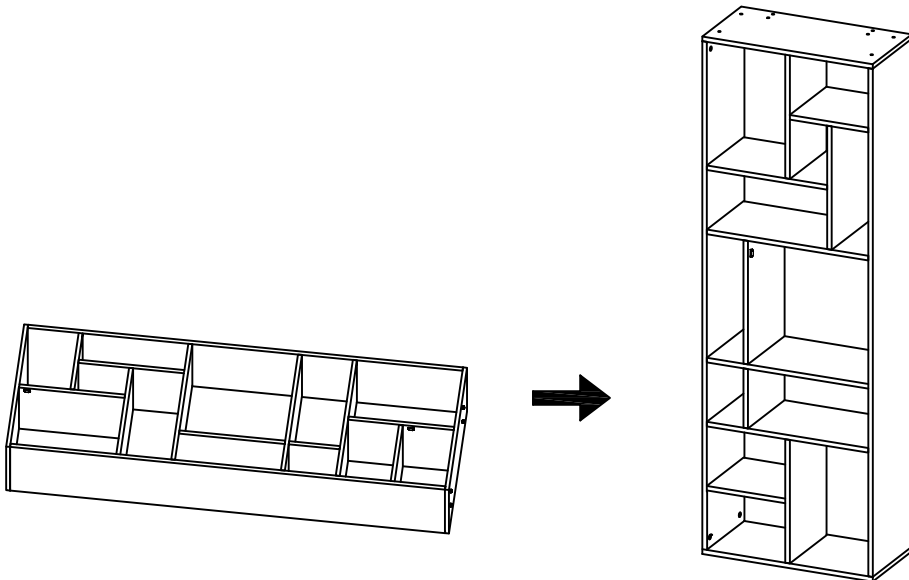
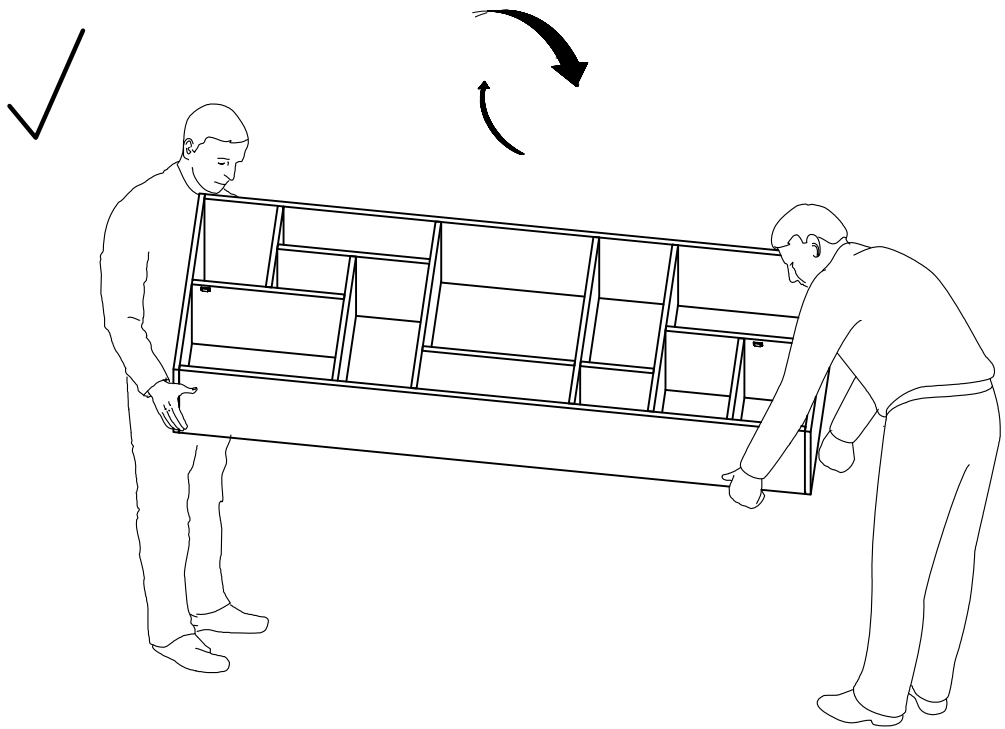
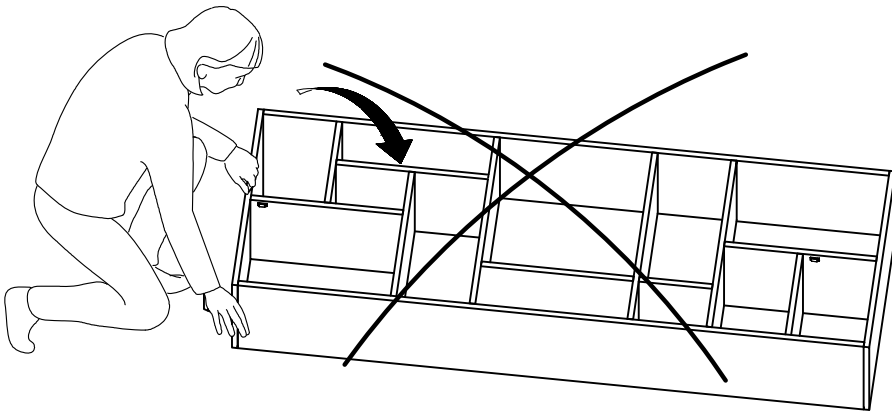
20



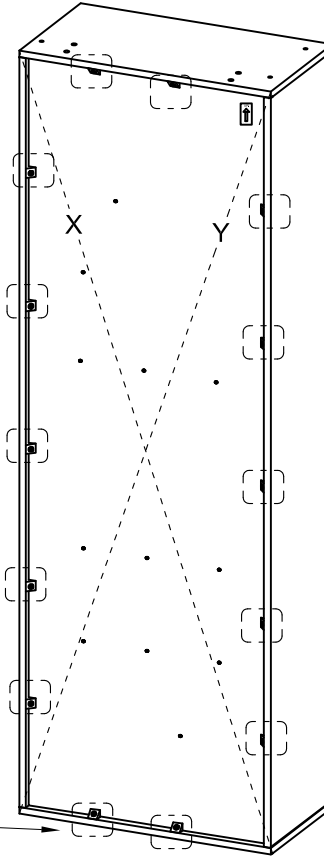
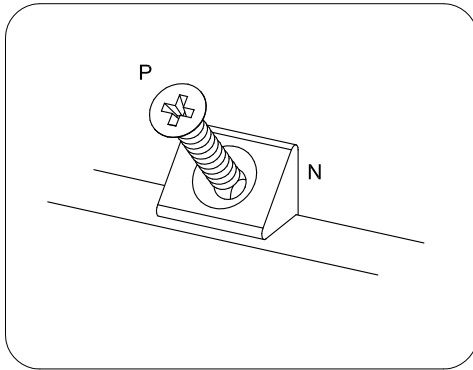
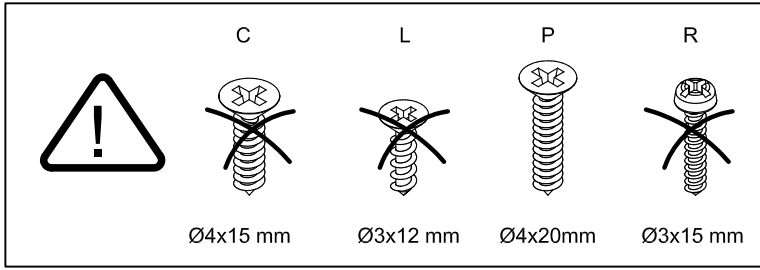
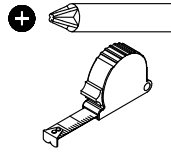
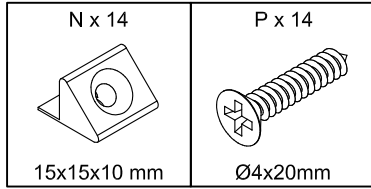
21



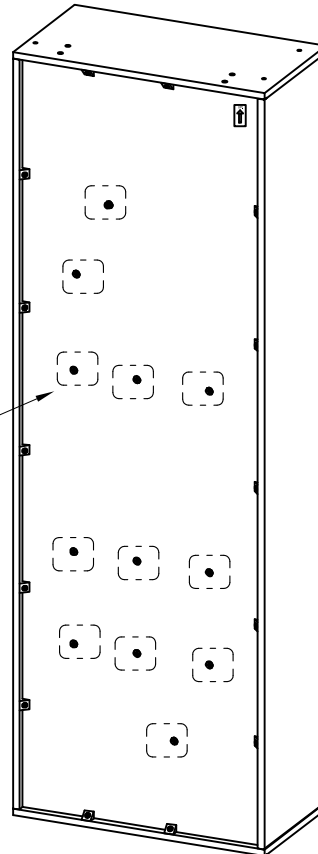
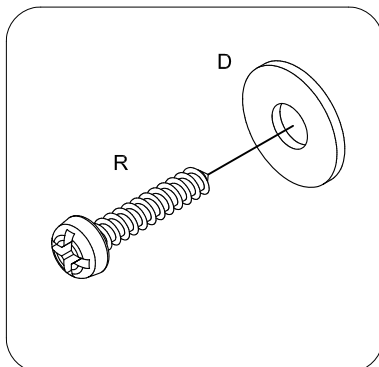
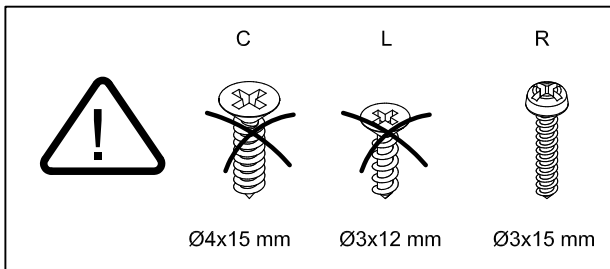
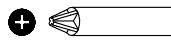
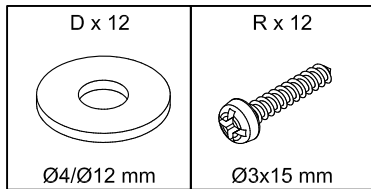
22



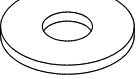
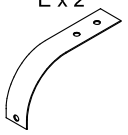
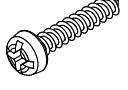
23

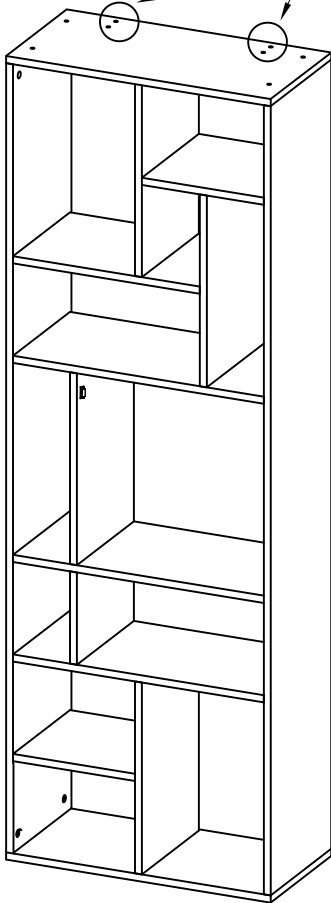
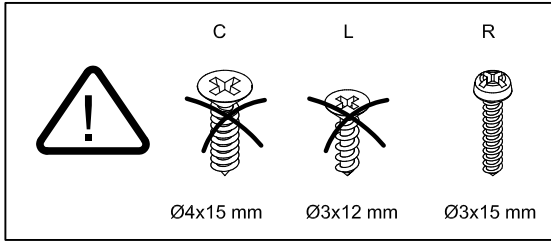
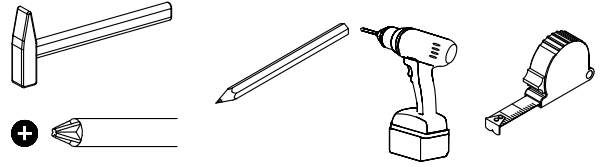


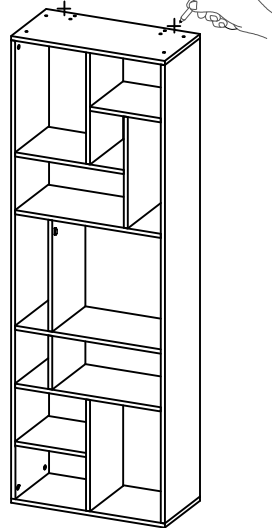
24



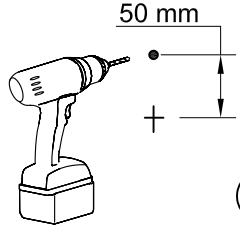
25

D x 6  Ø4/Ø12 mm	E x 2  150x26 mm	R x 4  Ø3x15 mm
---	---	--

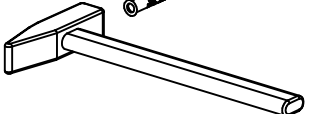




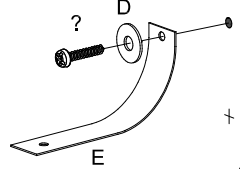
(I)



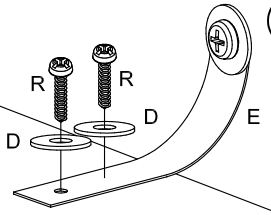
(II)



(III)



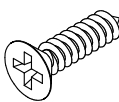
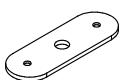
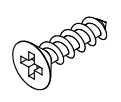
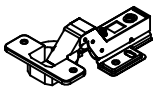
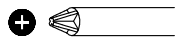
(IV)

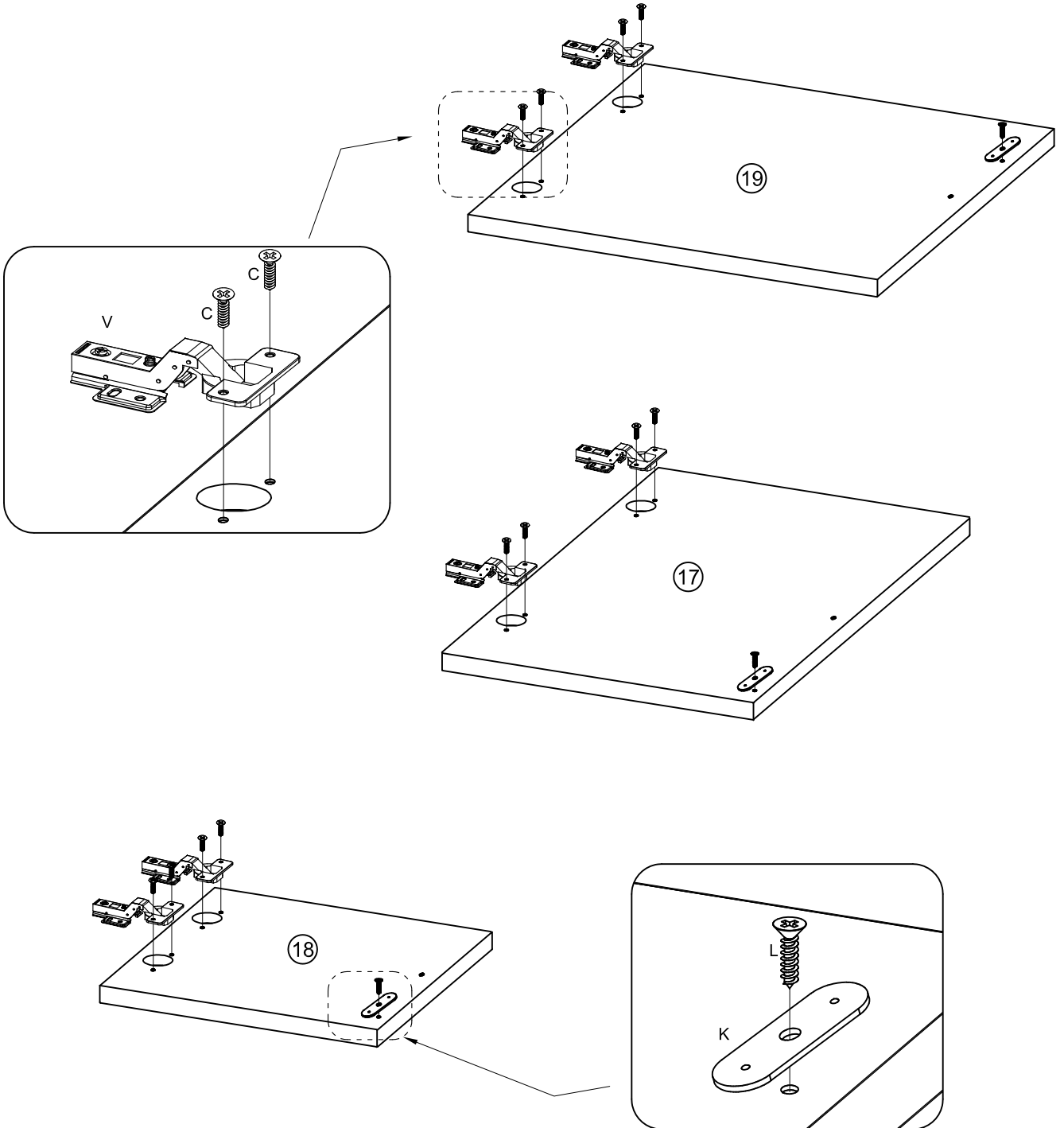


(V)

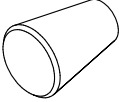
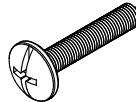
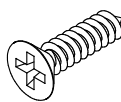


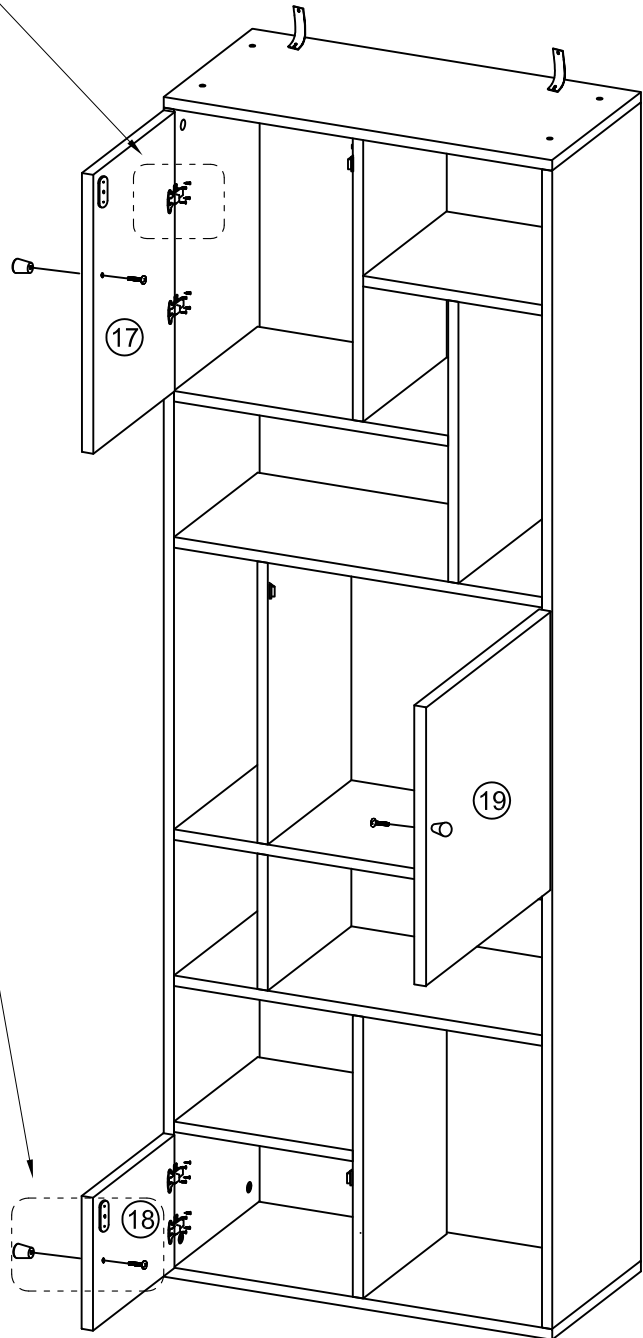
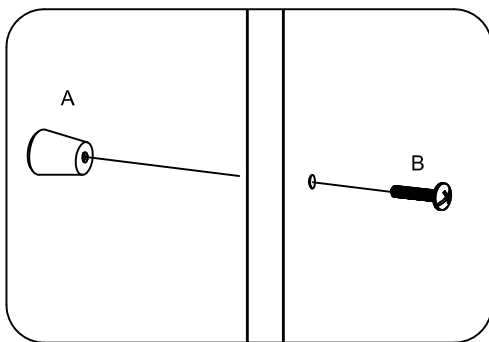
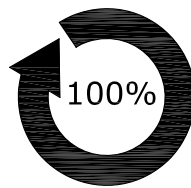
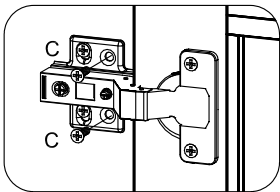
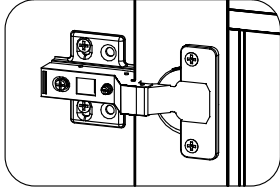
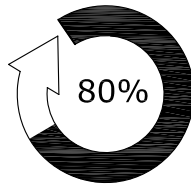
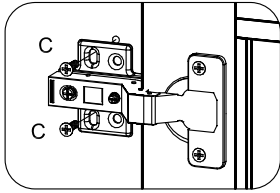
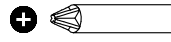
26

C x 12  Ø4x15 mm	K x 3  35x12 mm	L x 3  Ø3x12 mm	V x 6  Ø26/FK17	
---	--	--	--	---

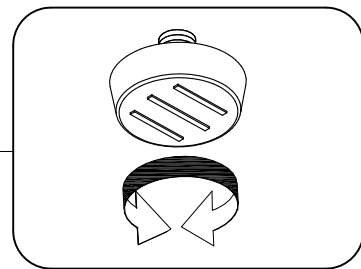
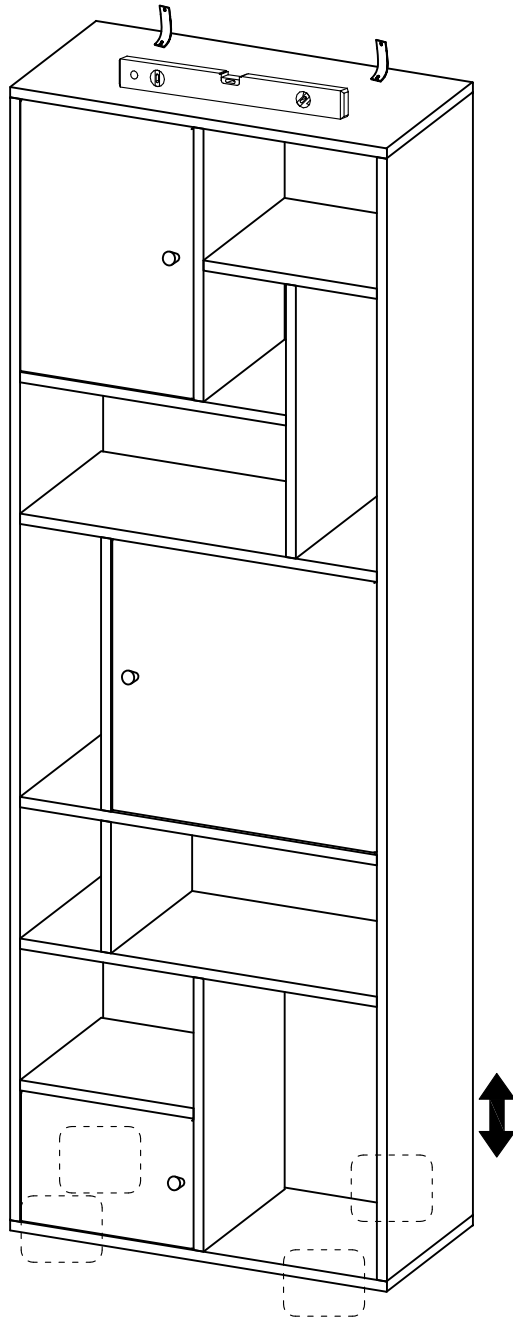
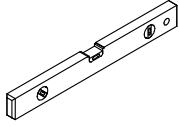


27

A x 3  Ø11/Ø16x22	B x 3  M4x22 mm	C x 24  Ø4x15 mm
--	--	---



28



29

