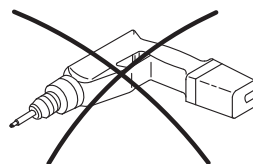
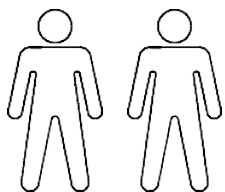
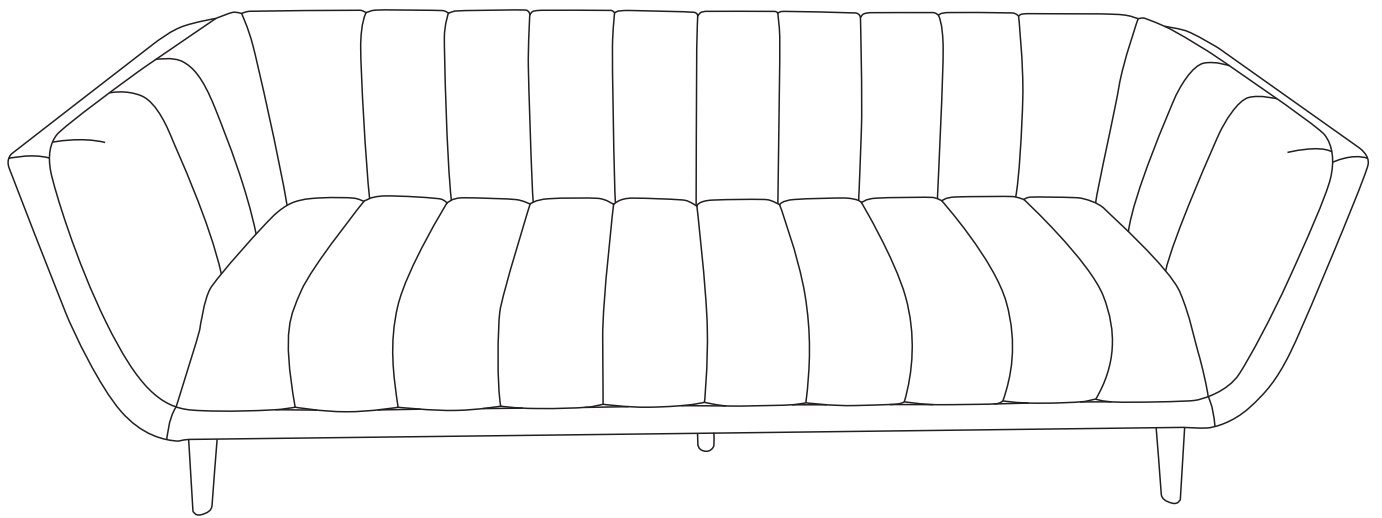
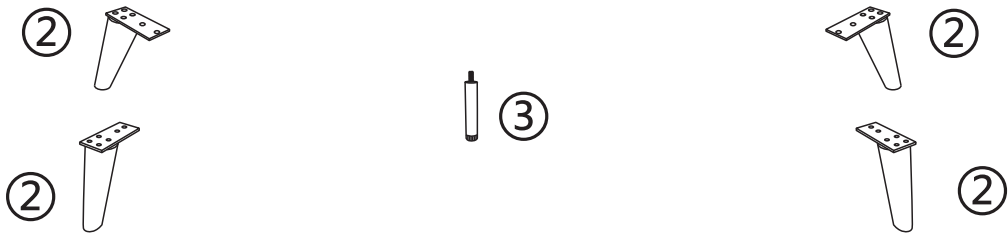
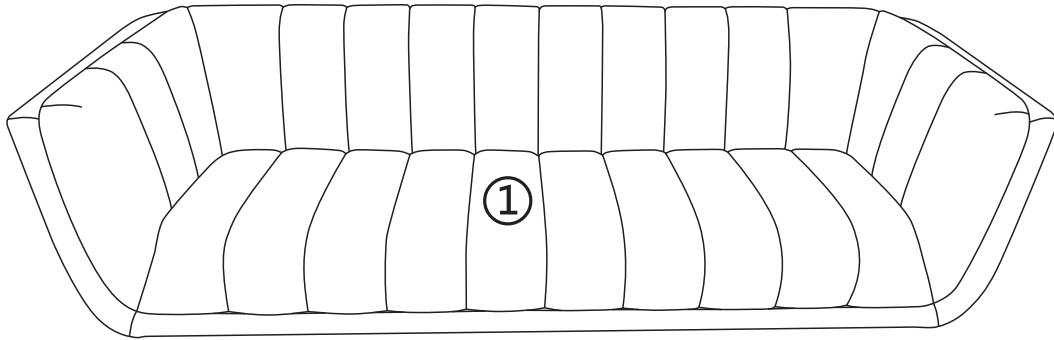


# Tampa 3-Seater

---

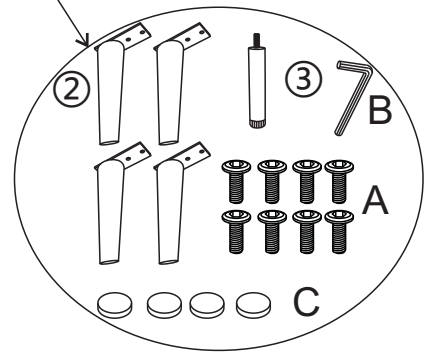
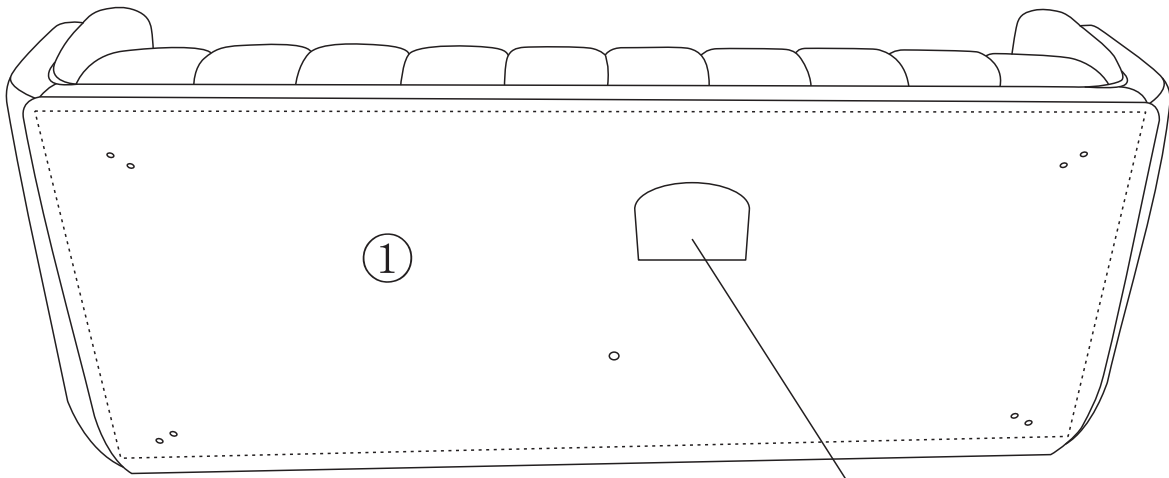


①	1	2180X865X565	
②	4	120X $\phi$ 60/ $\phi$ 32X200	
③	1	$\phi$ 35X195	

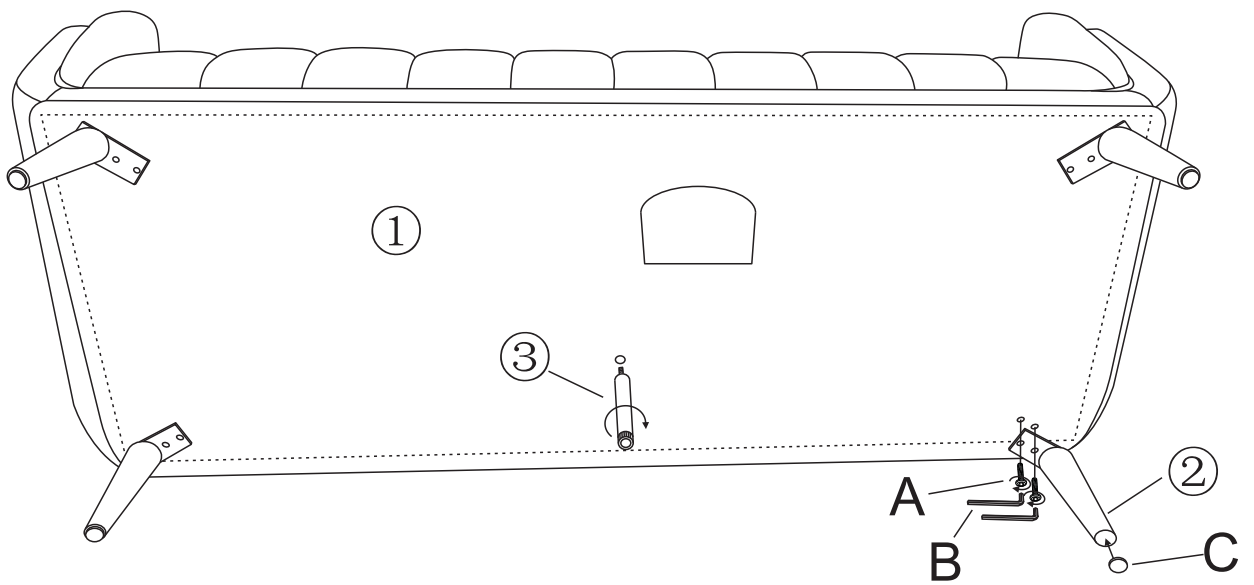
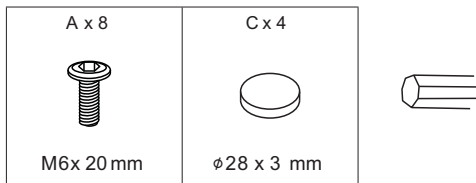


A x 8	B x 1	C x 4
M6x 20 mm	M4 x 70 mm	$\phi$ 28 x 3 mm

# 1



# 2



3

