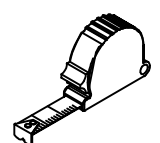
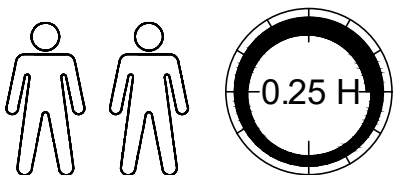
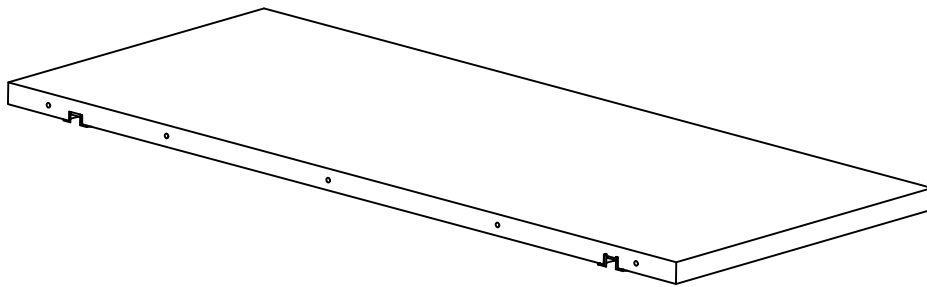
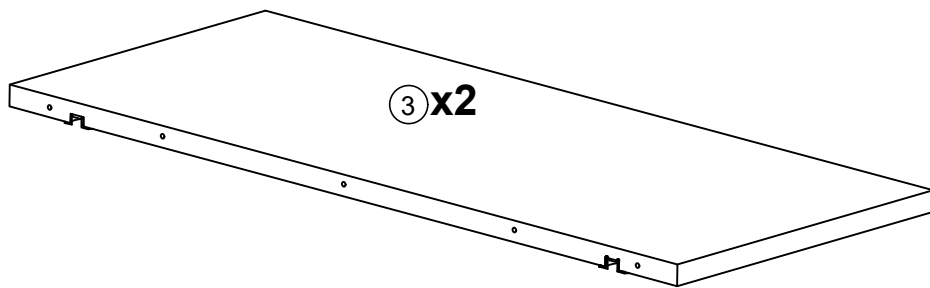


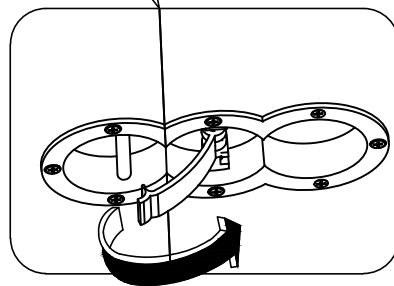
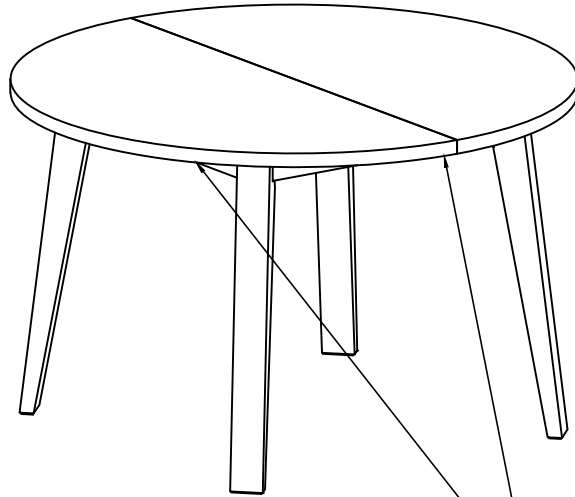
# A-LINE



			✓
③	2	1200x500x30	

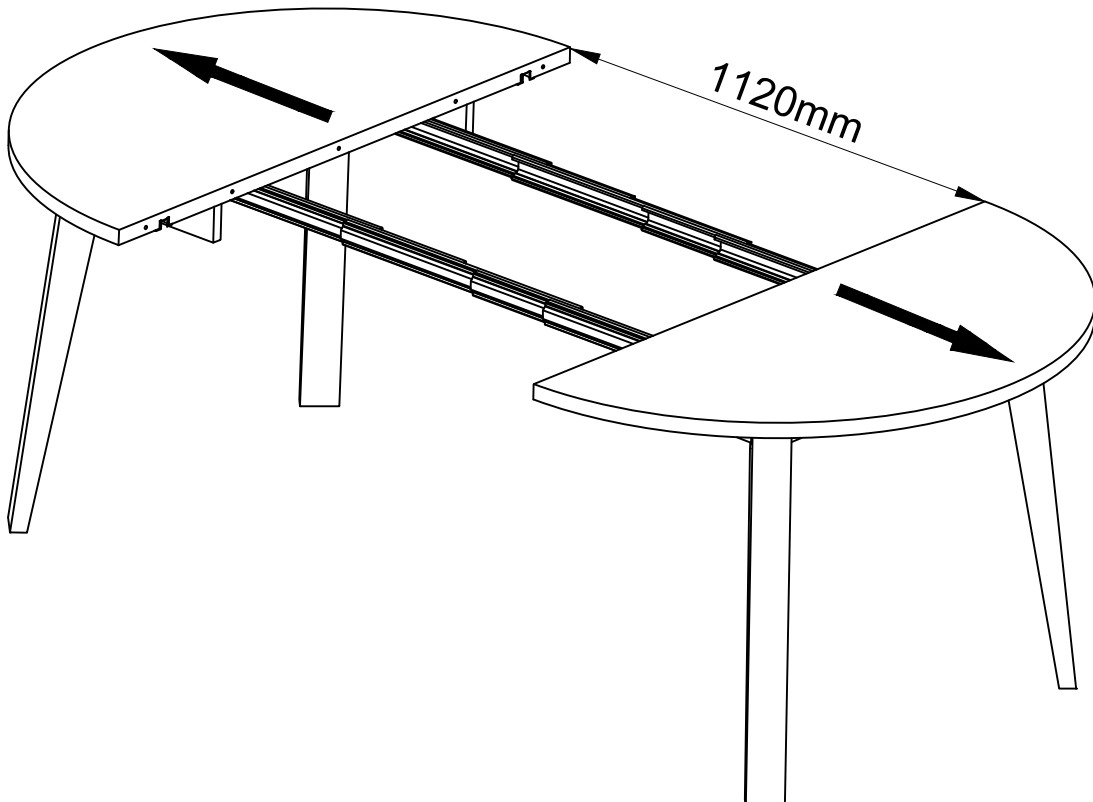
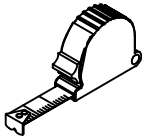


1

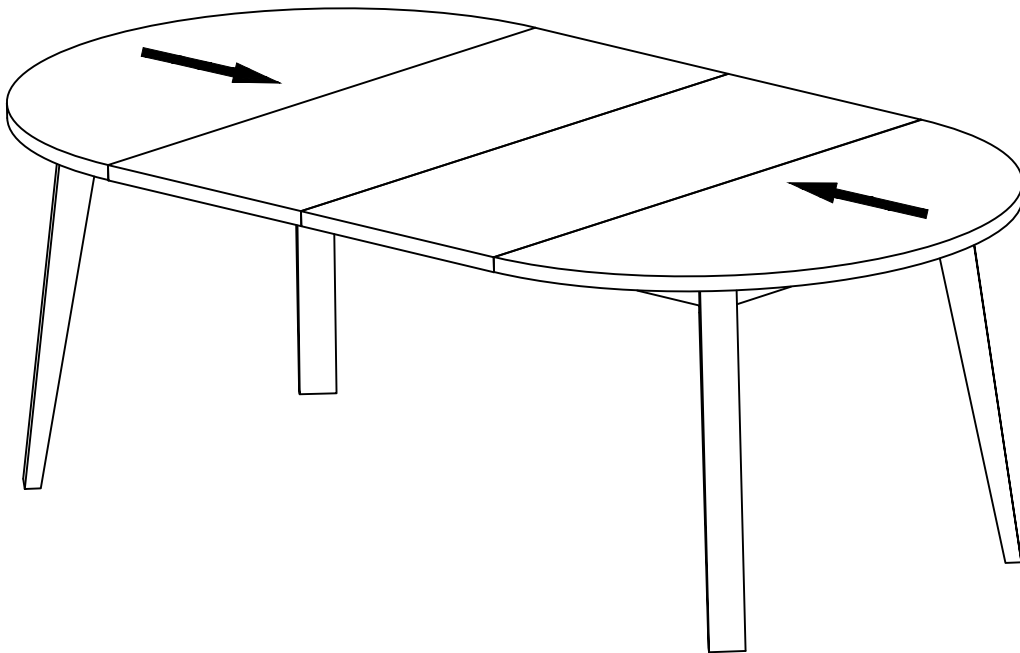
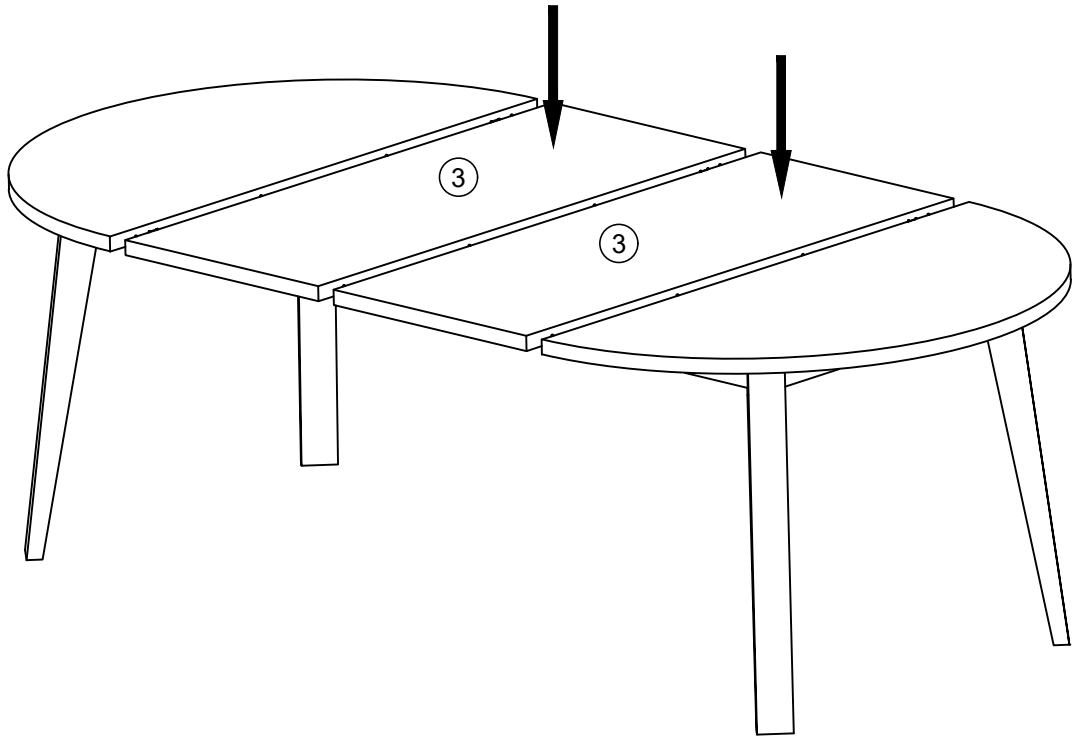


x2

2



3



4

