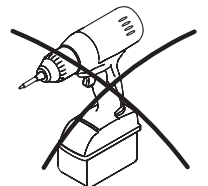
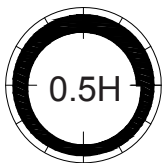
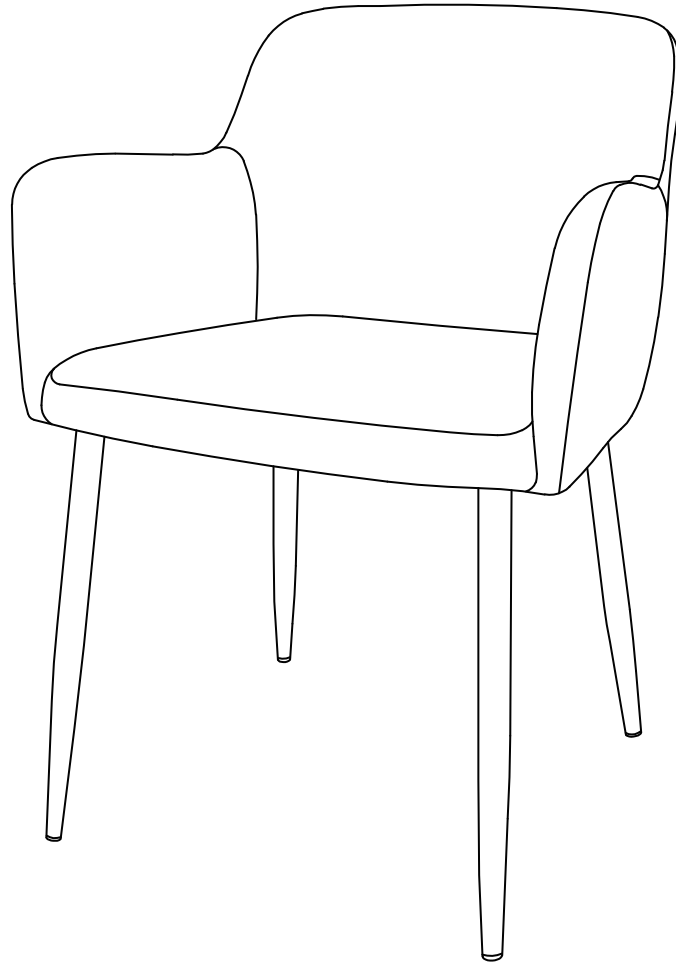
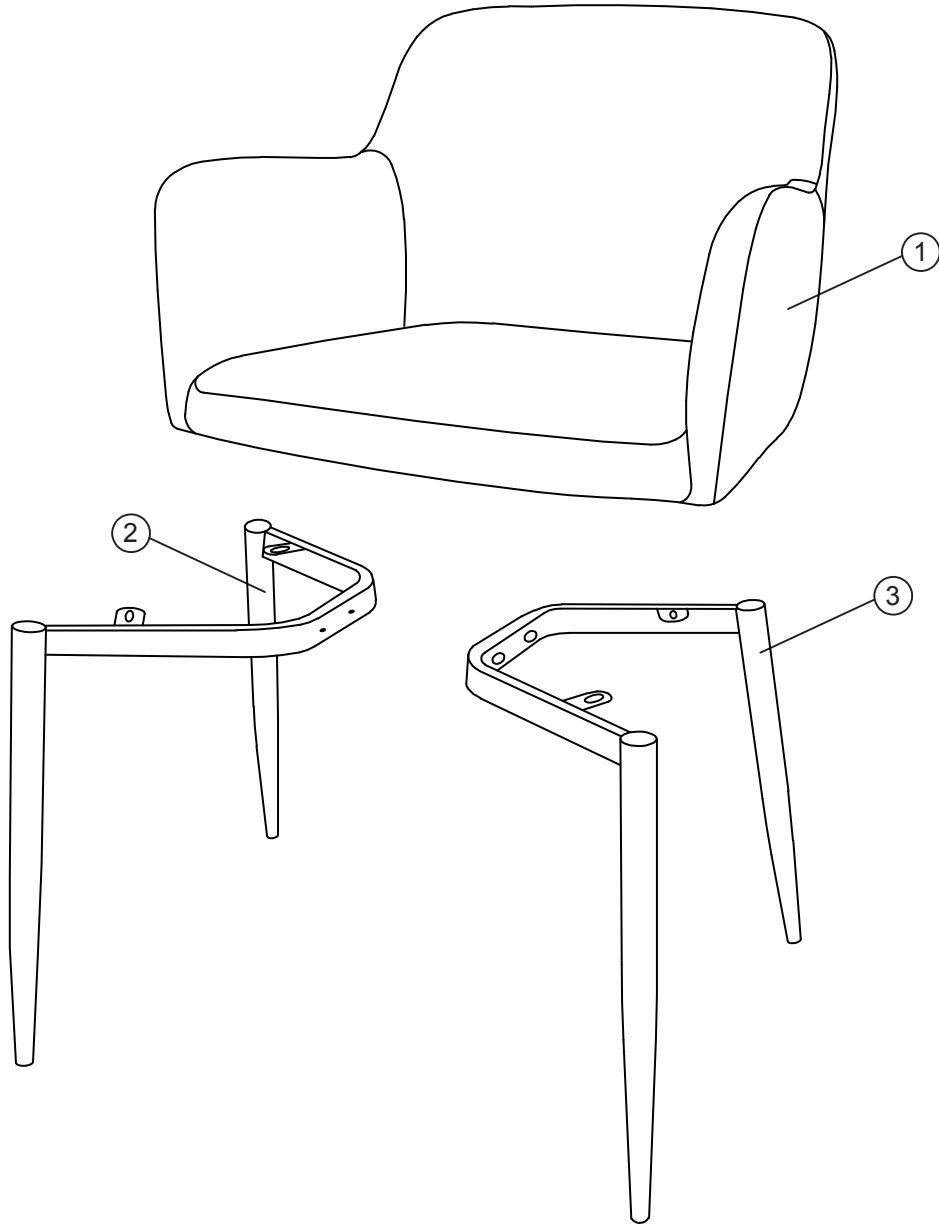






# KAREN






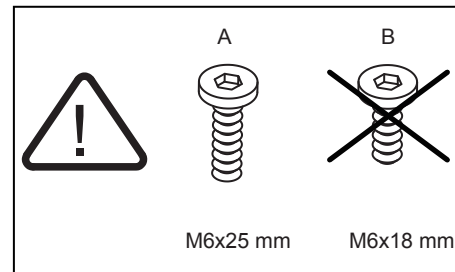
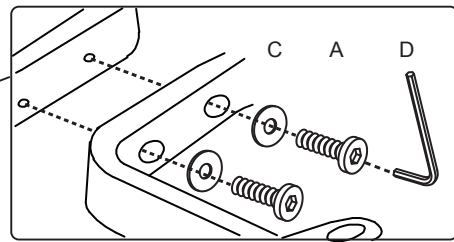
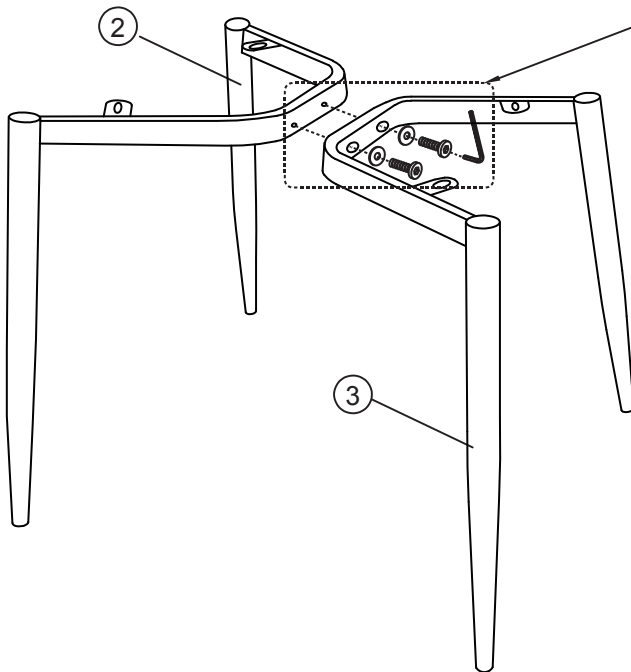
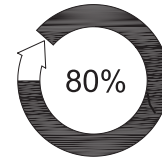
			✓
①	1	565x560x405	
②	1	510x428x210	
③	1	510x428x210	




Ax2	Bx4	Cx6	Dx1
			
M6 x25 mm	M6 x18 mm	Ø6/Ø18 mm	5 mm

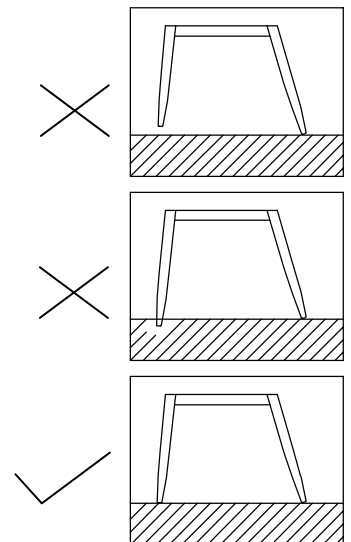
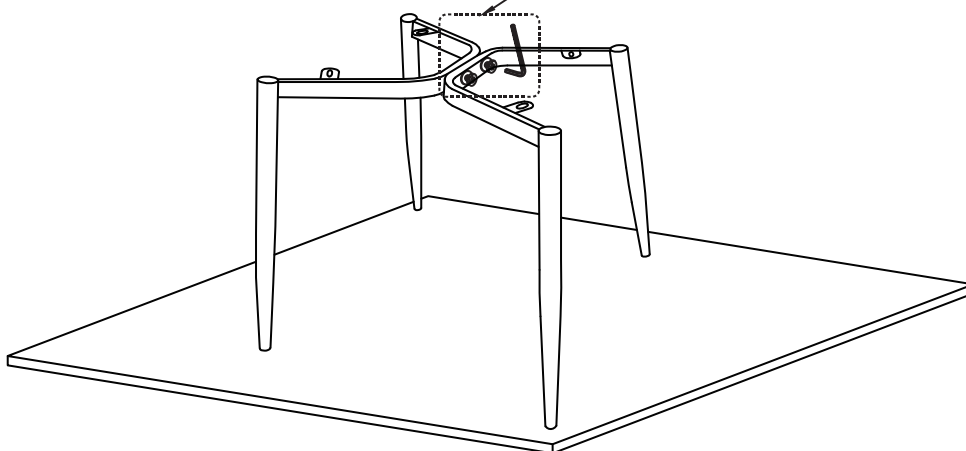
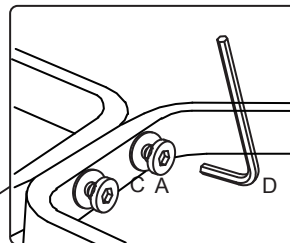
# 1

Ax2  M6x25 mm	Cx2  Ø6/Ø18 mm	Dx1  5 mm
--	---	--






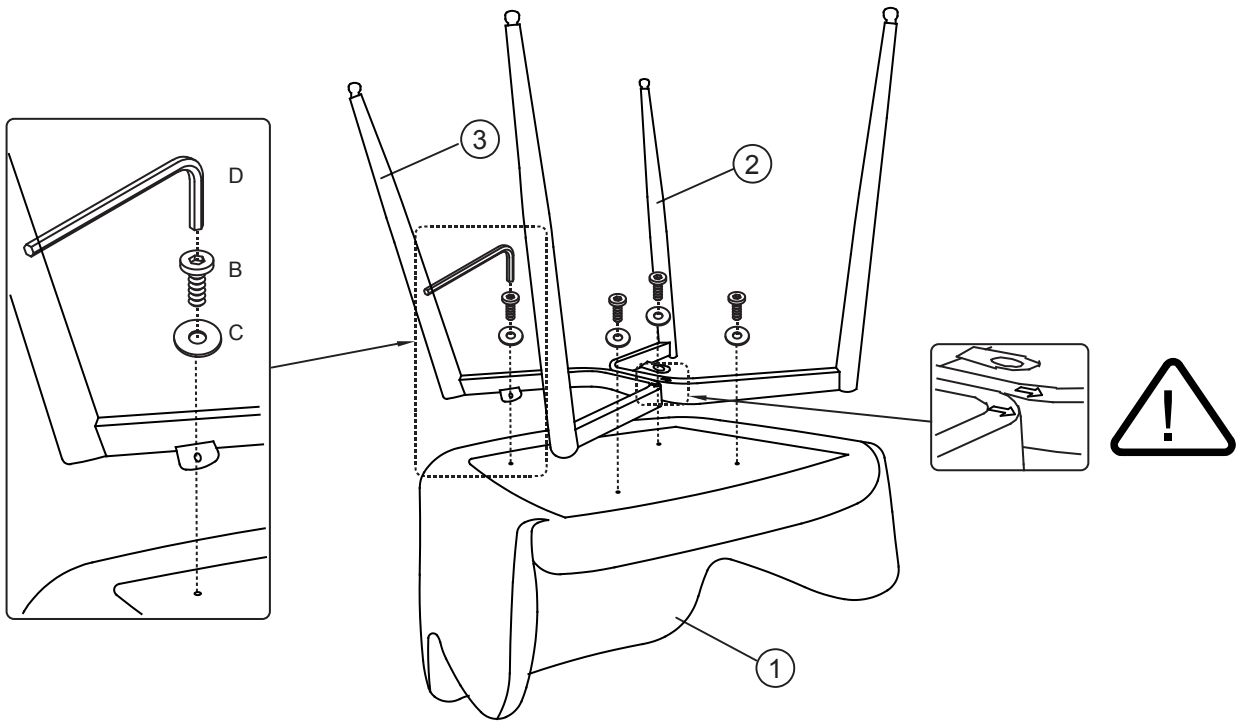
# 2

Dx1  5 mm
--



# 3

Bx4  M6x18 mm	Cx4  Ø6/Ø18 mm	Dx1  5 mm
--	---	--



# 4

