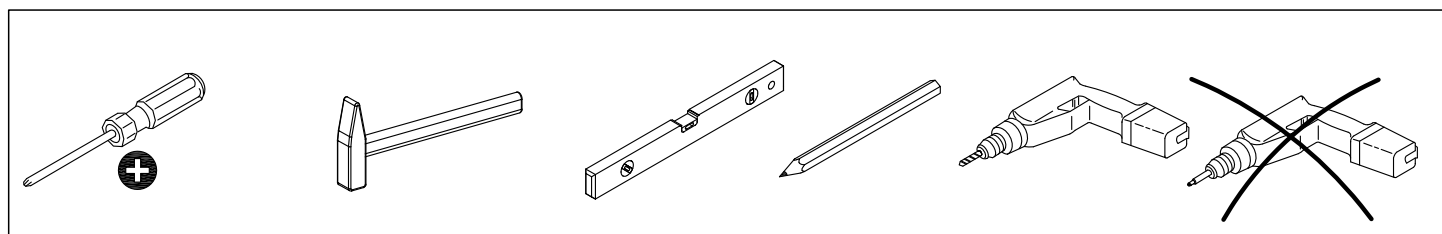
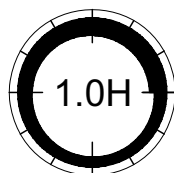
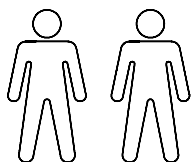
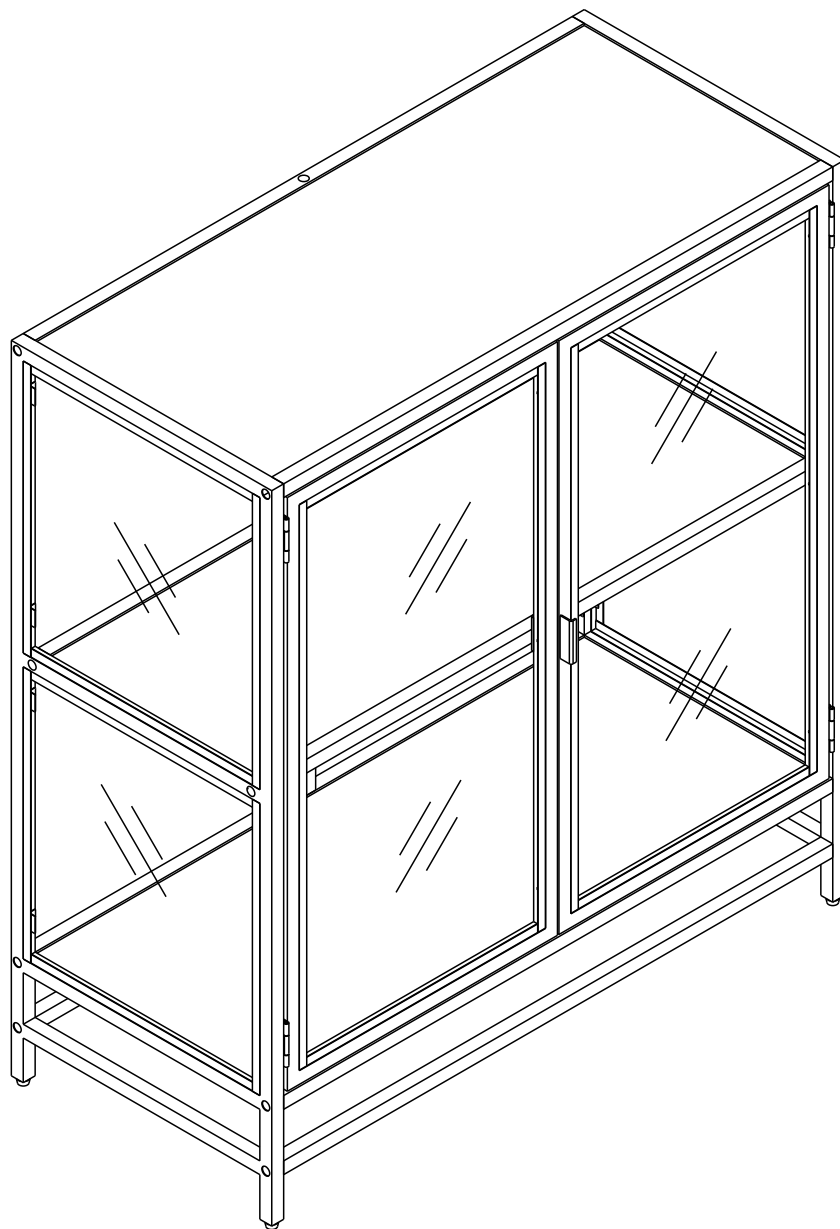
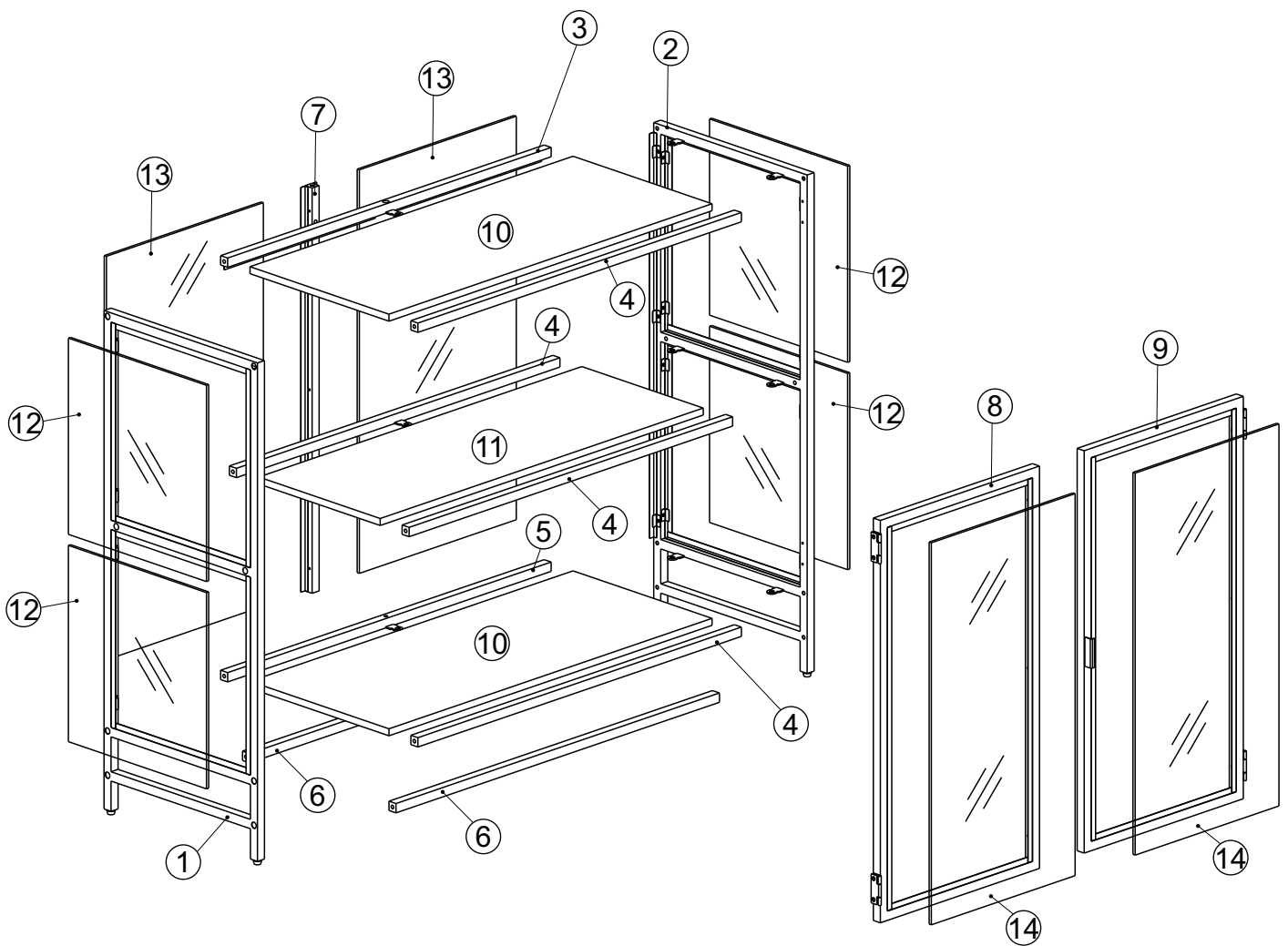


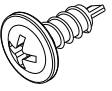
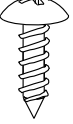

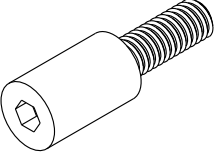
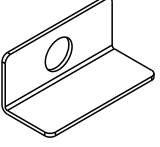
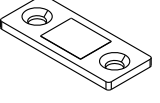
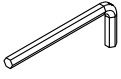
# SEAFORD




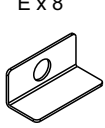
			✓
①	1	864x350x42 mm	
②	1	864x350x42 mm	
③	1	737x42x27mm	
④	4	737x42x16mm	
⑤	1	737x42x16mm	
⑥	2	737x16x16mm	
⑦	1	696x35x16mm	

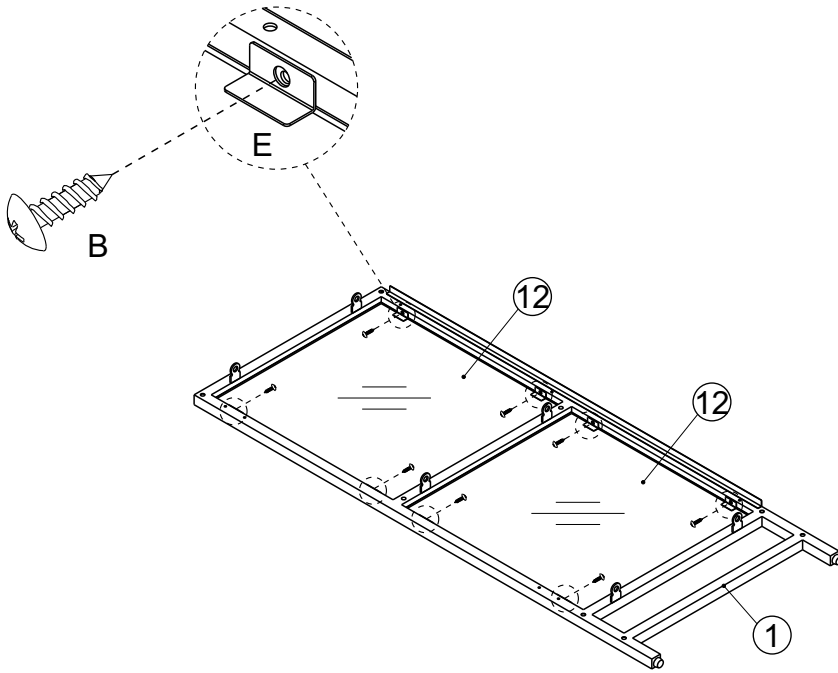
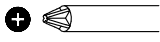
			✓
⑧	1	690x369x20mm	
⑨	1	690x369x32mm	
⑩	2	736x317x12mm	
⑪	1	736x276x12mm	
⑫	4	335x315x5mm	
⑬	2	693x356x5mm	
⑭	2	655x328x5mm	




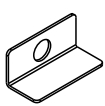
<p>A x 8</p>  <p>M4 x 12 mm</p>	<p>B x 58</p>  <p>M4 x 12 mm</p>	<p>C x 4</p>  <p>M3.5 x 12 mm</p>	<p>D x 18</p>  <p>M6 x 15 mm</p>	<p>E x 40</p>  <p>20x10x7 mm</p>
<p>F x 2</p>  <p>40x16x2.5 mm</p>	<p>G x 1</p>  <p>4 mm</p>			

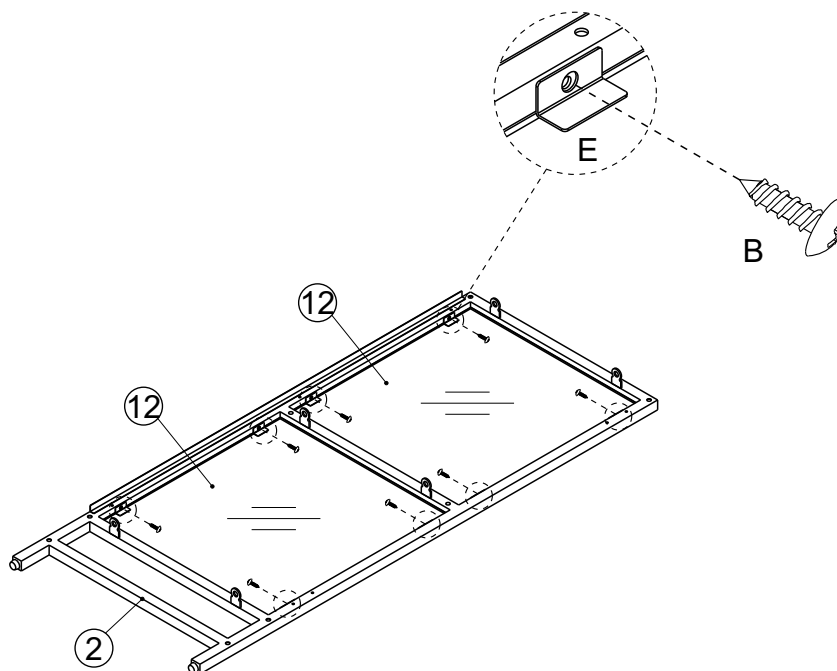
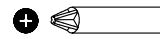
# 1

B x 8  M4 x 12 mm	E x 8  20x10x7 mm
--	--

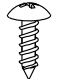

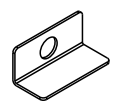
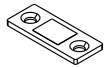


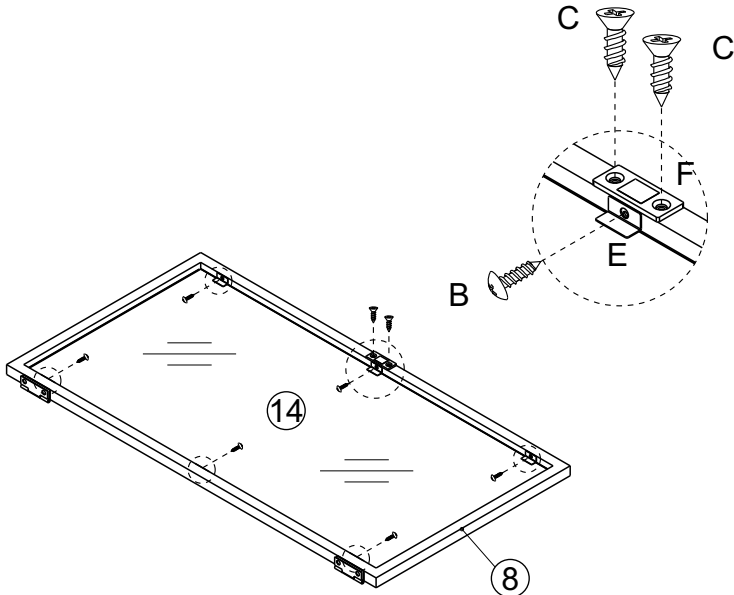
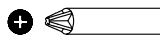
# 2

B x 8  M4 x 12 mm	E x 8  20x10x7 mm
--	--



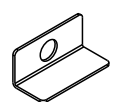
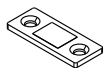


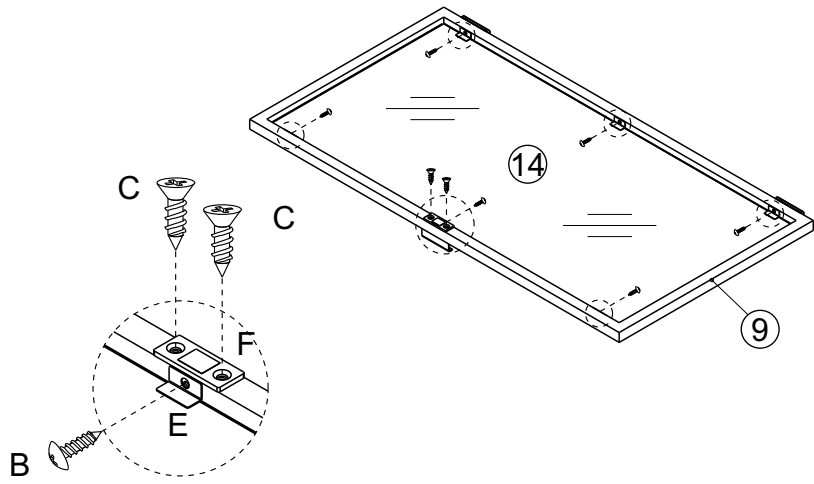
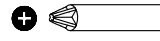
# 3

B x 6  M4 x 12 mm	C x 2  M3.5 x 12 mm	E x 6  20x10x7 mm	F x 1  40x16x2.5 mm
--	--	--	--



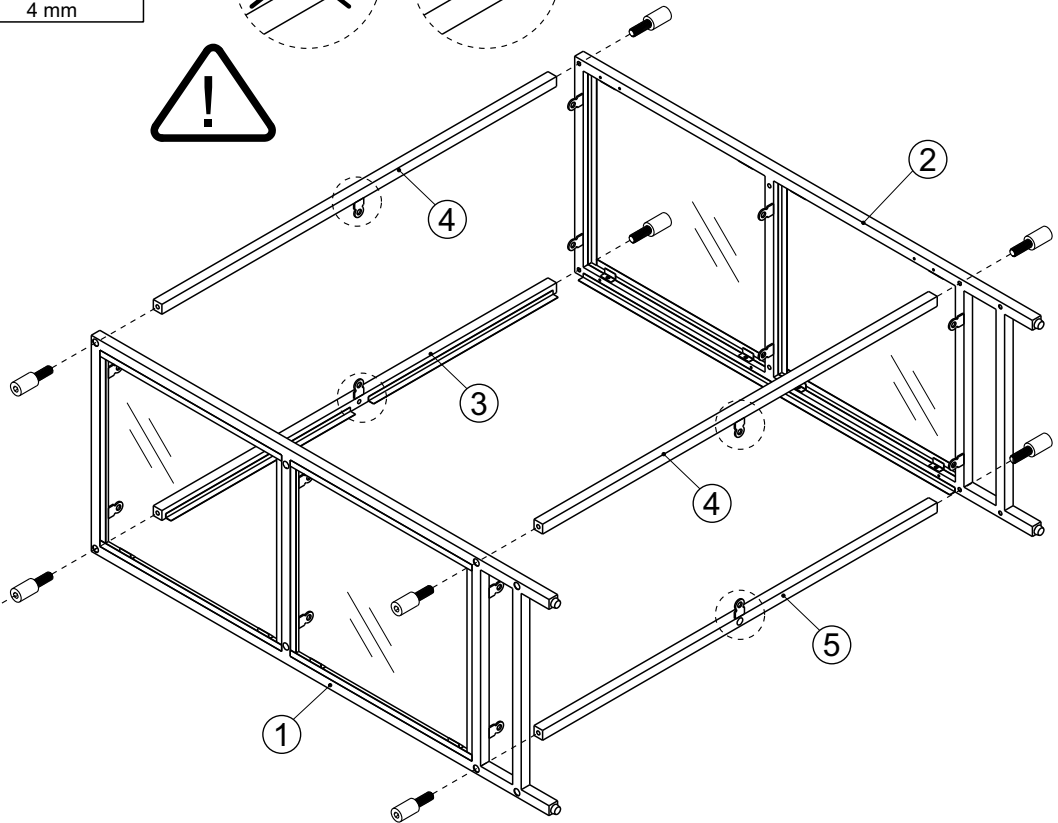
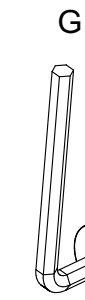
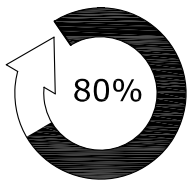
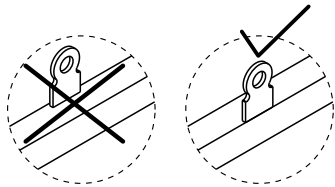
# 4

B x 6  M4 x 12 mm	C x 2  M3.5 x 12 mm	E x 6  20x10x7 mm	F x 1  40x16x2.5 mm
--	--	--	--



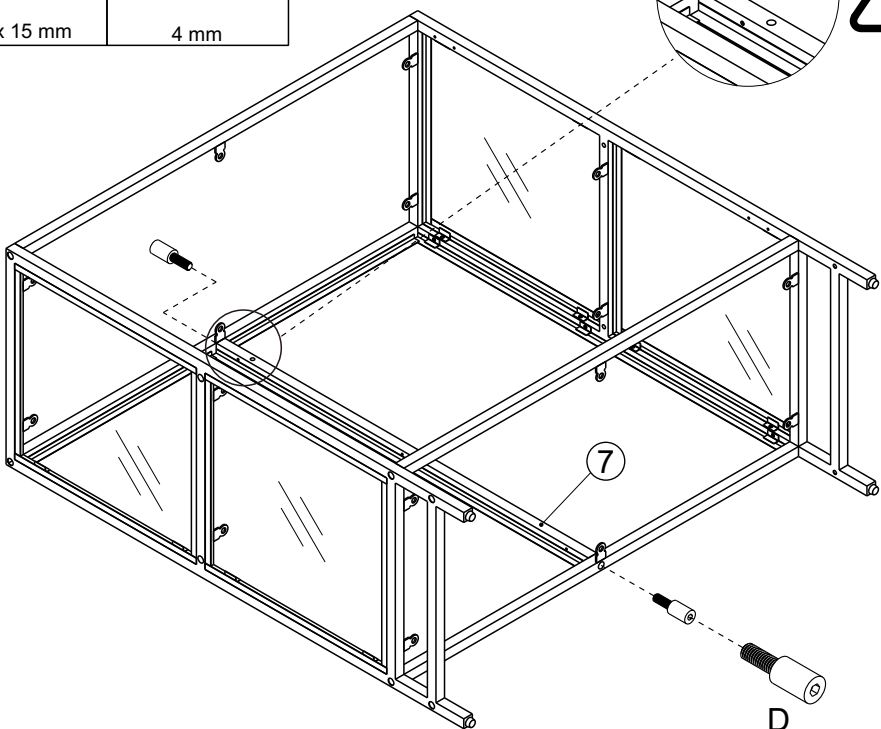
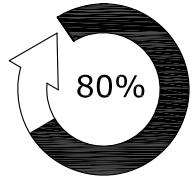
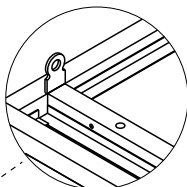
# 5

D x 8 M6 x 15 mm	G x 1 4 mm
---------------------	---------------

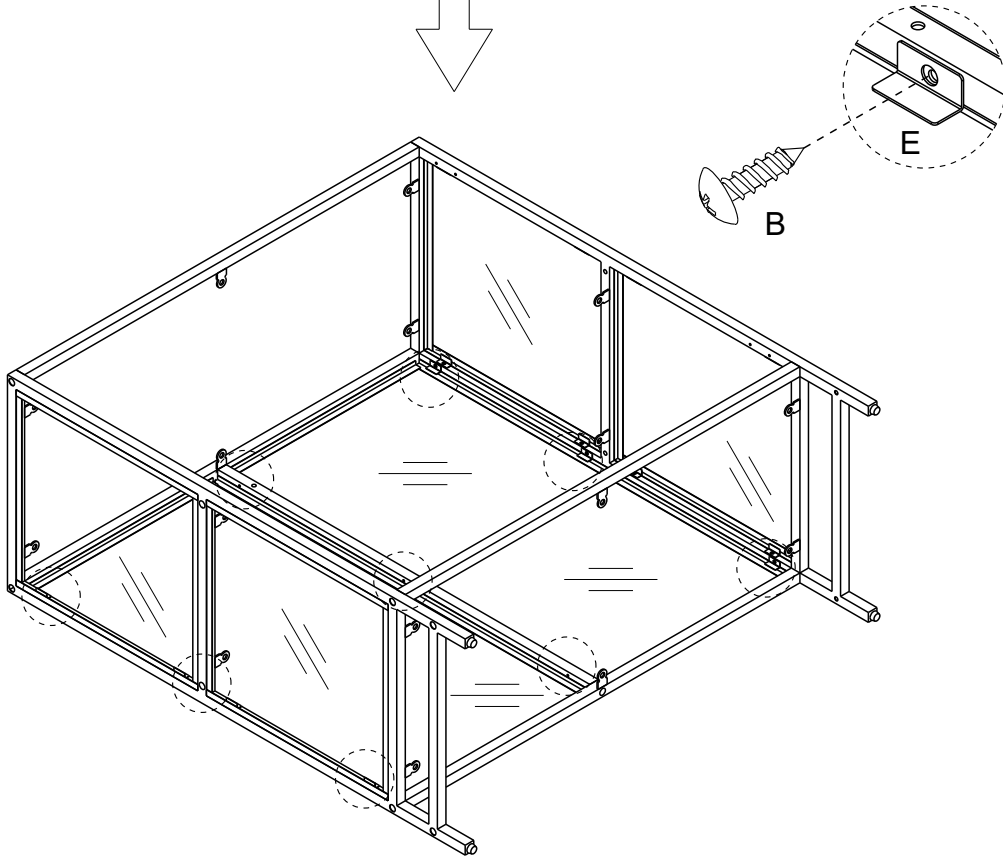
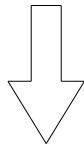
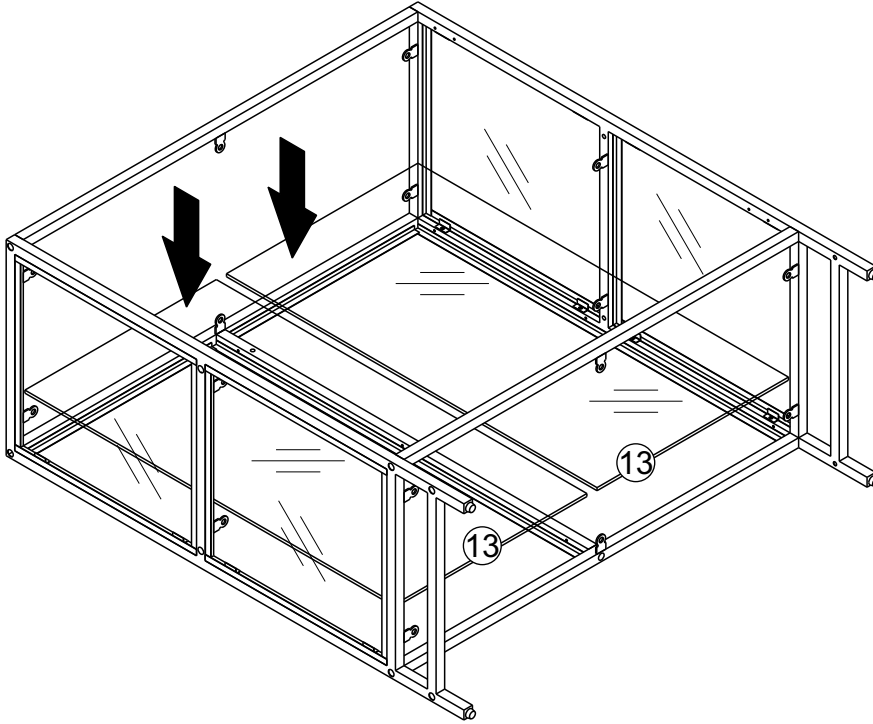
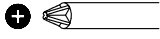
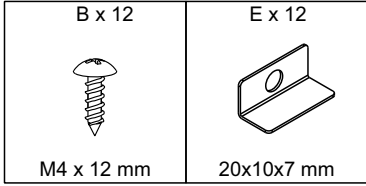


# 6

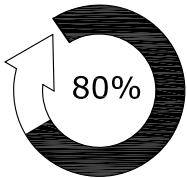
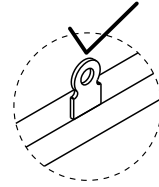
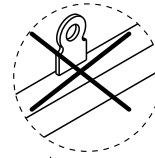
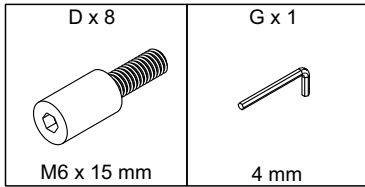
D x 2 M6 x 15 mm	G x 1 4 mm
---------------------	---------------



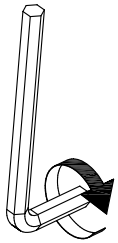
7



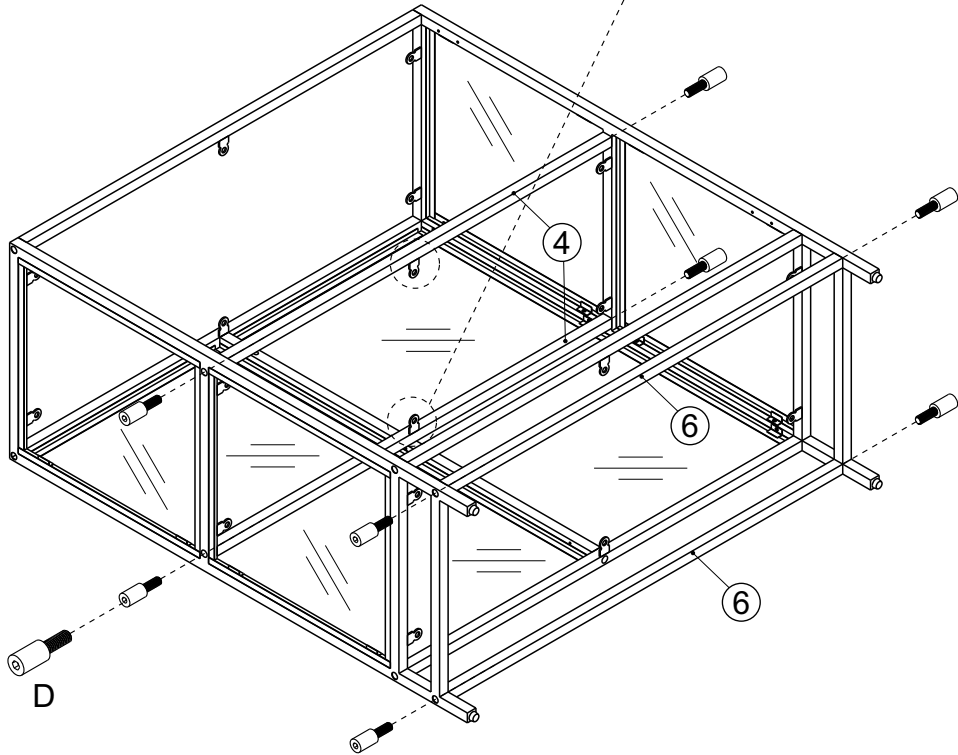
# 8



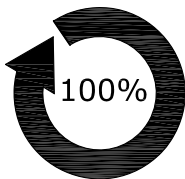
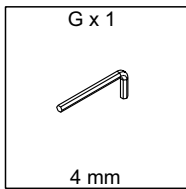
G



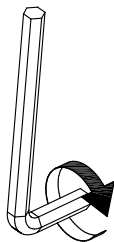
D



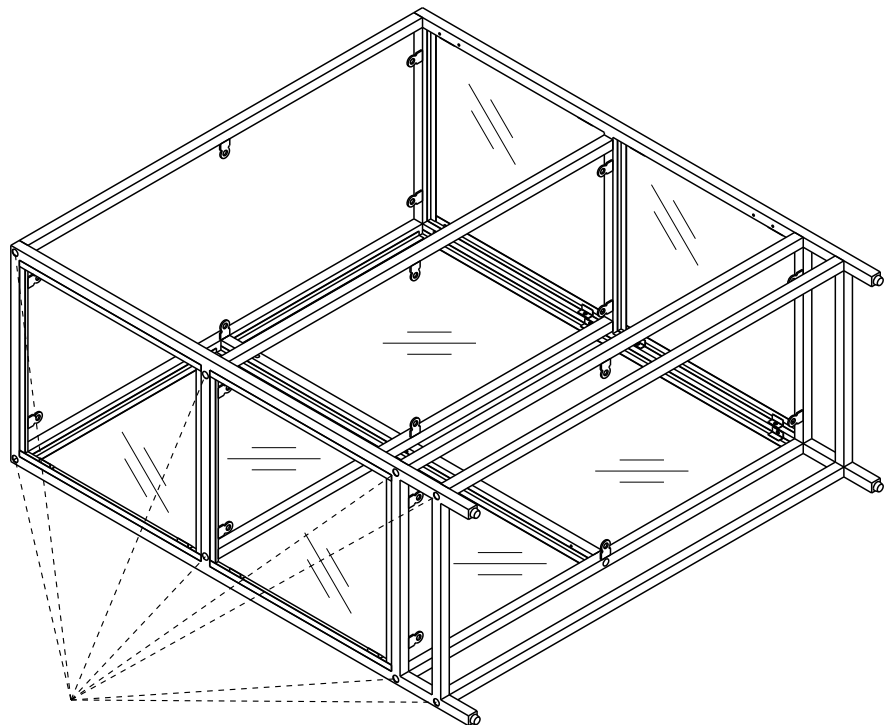
# 9



G

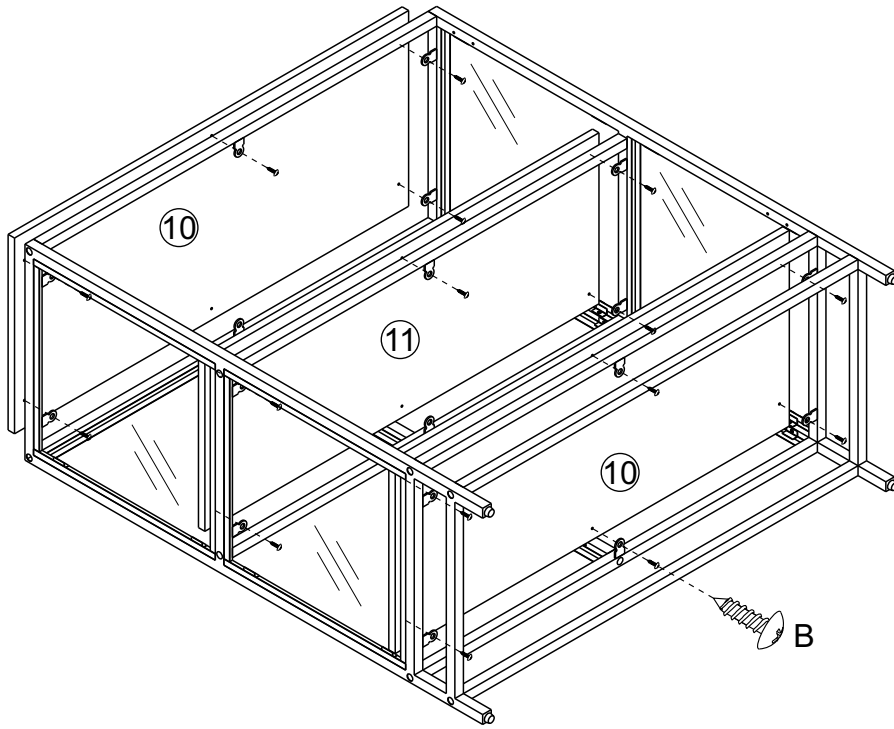
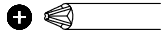
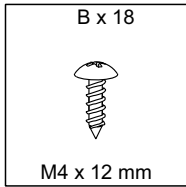


D x 18

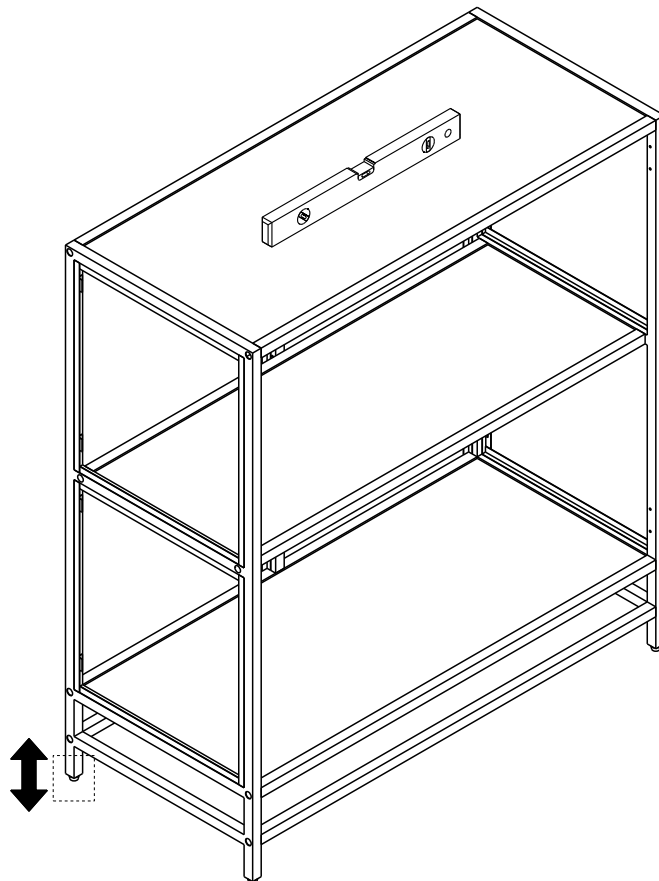
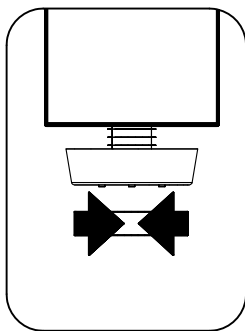




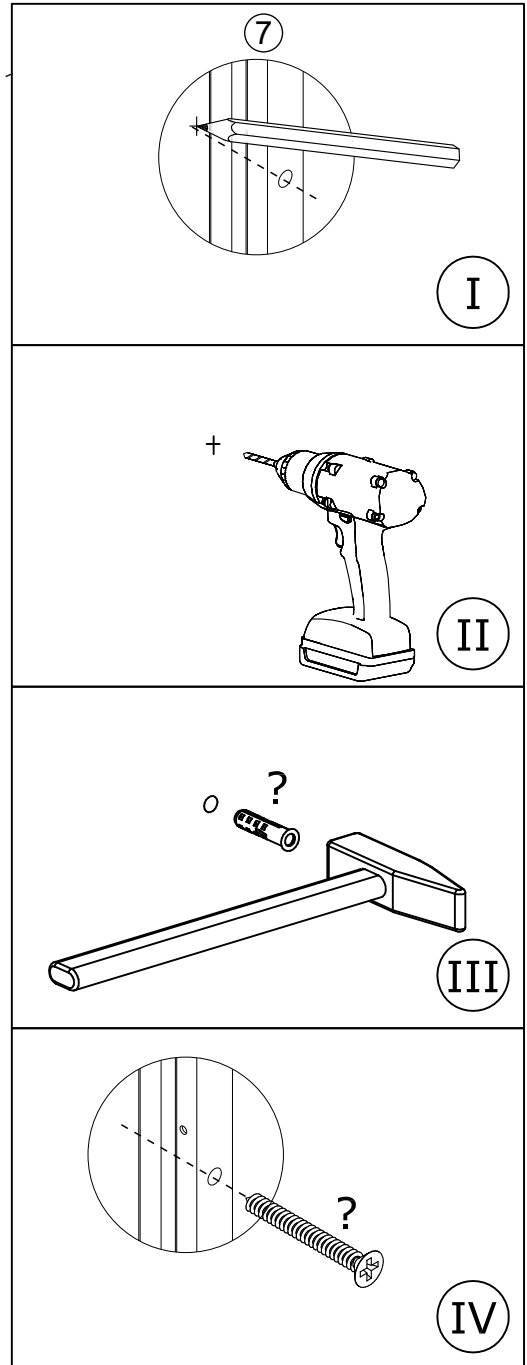
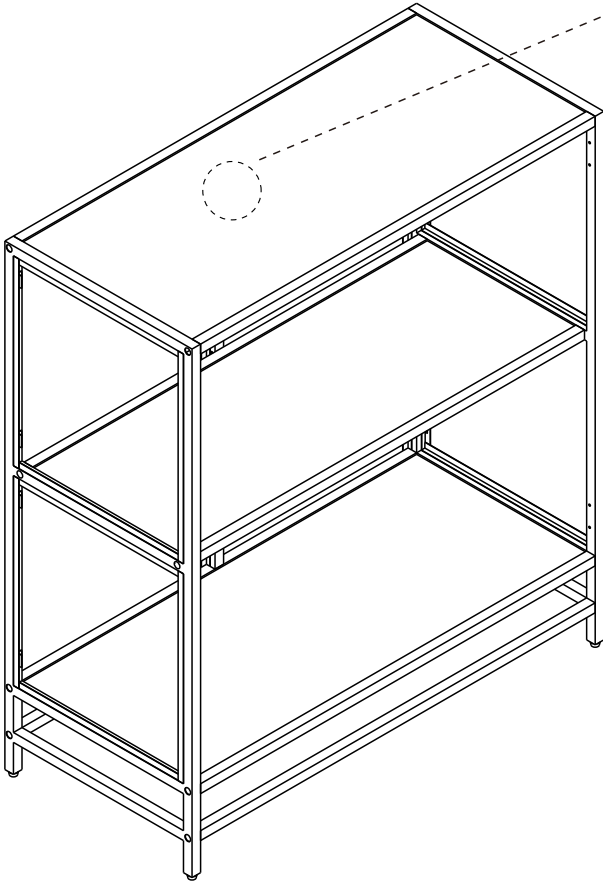
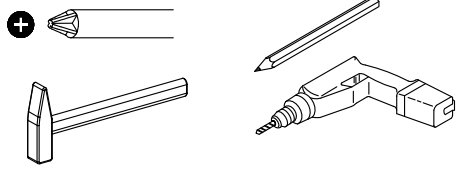
# 10



# 11



# 12



# 13

