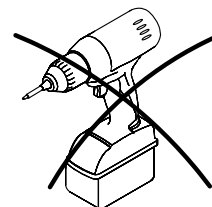
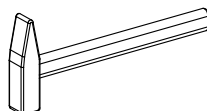
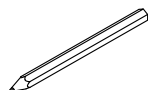
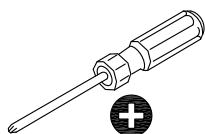
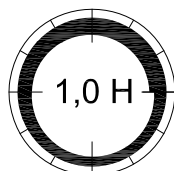
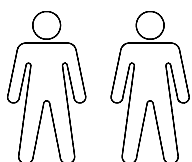
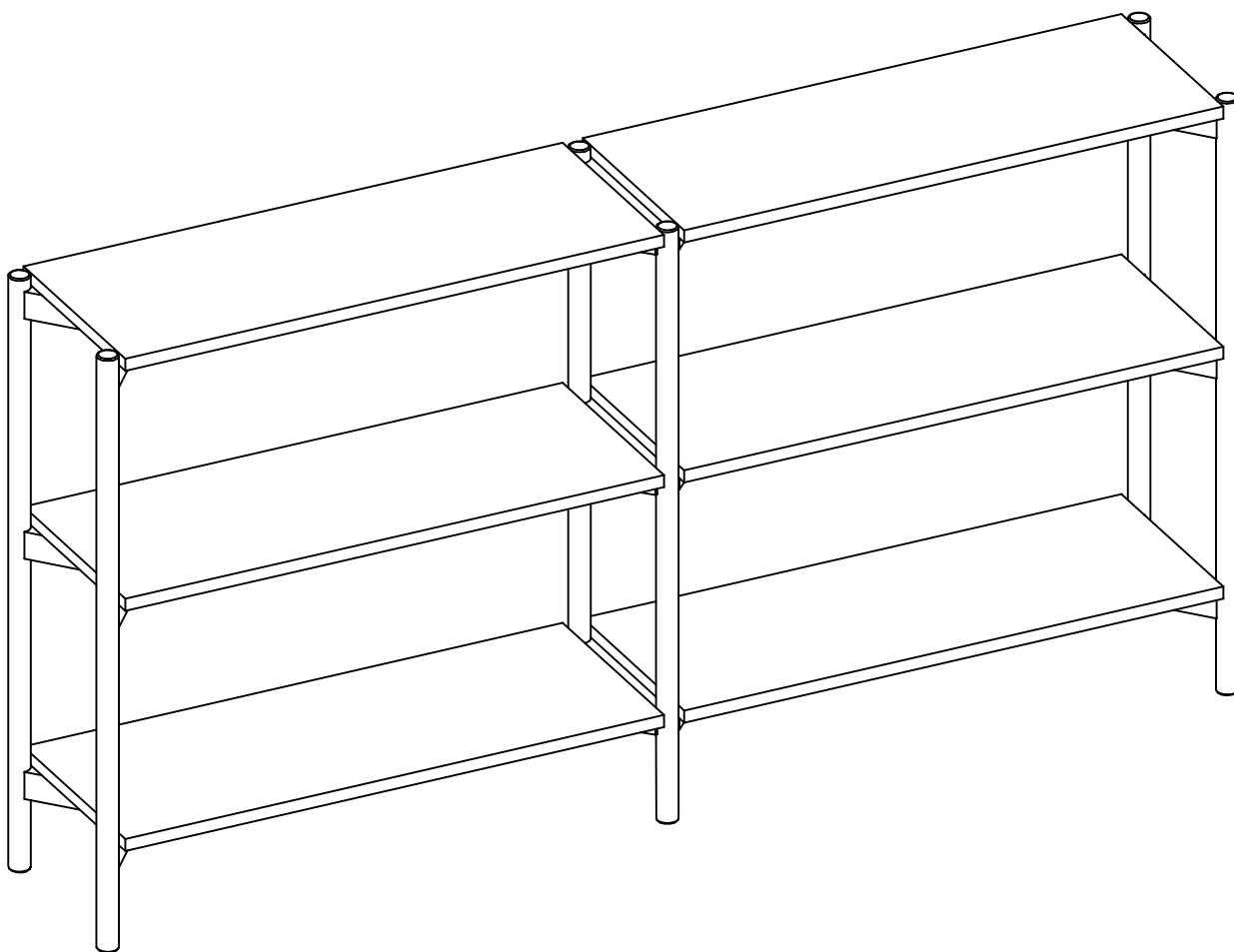
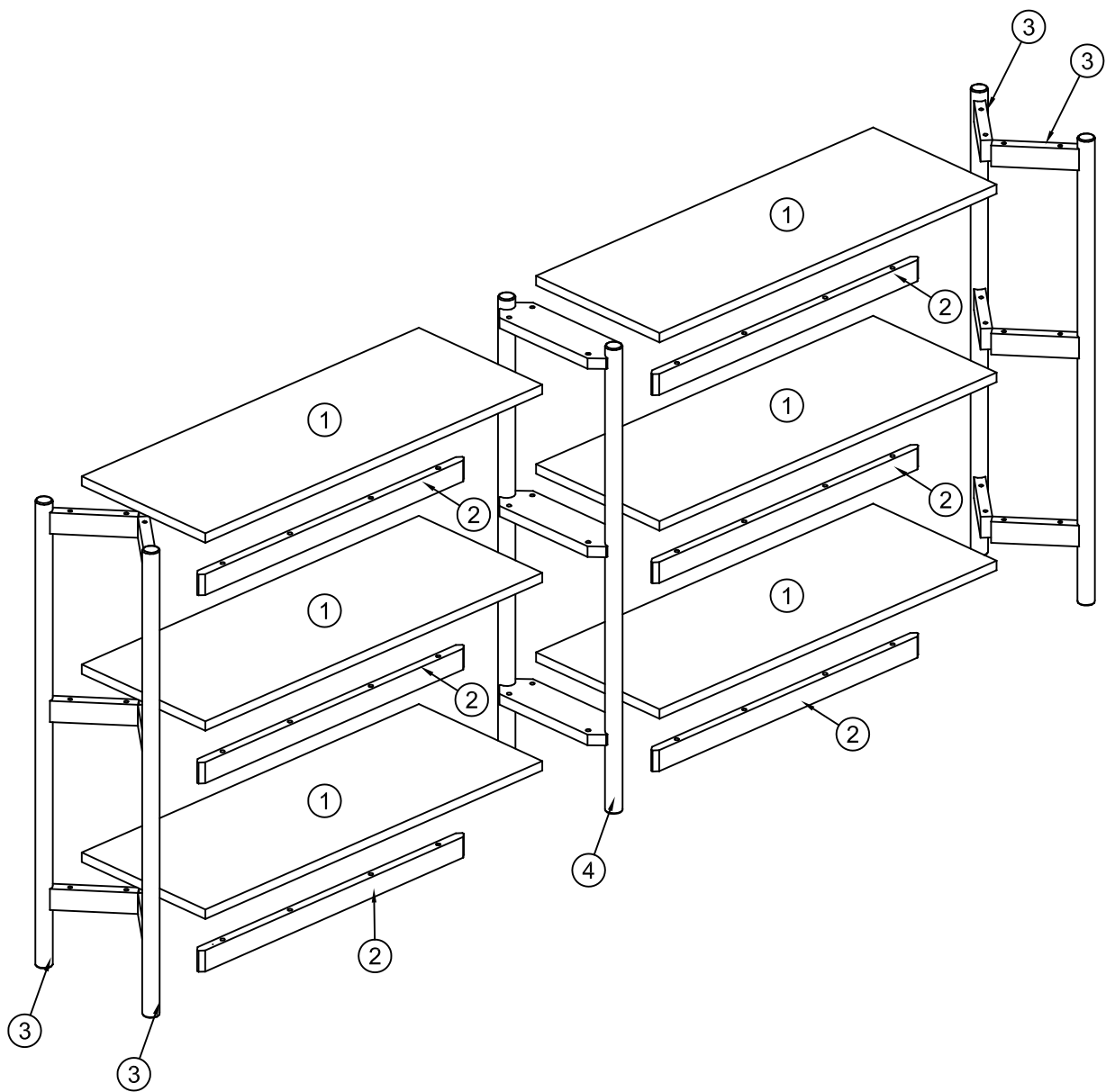
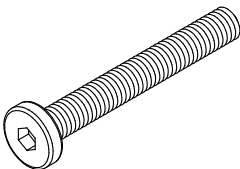
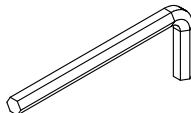
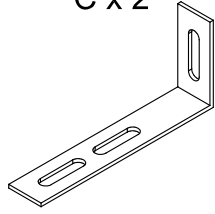
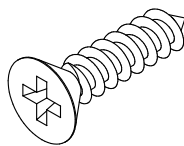
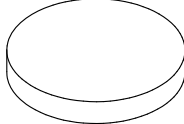
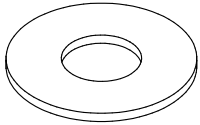
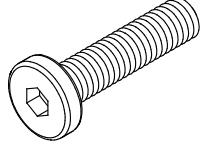


# BRAIDWOOD

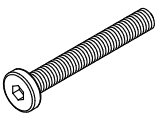

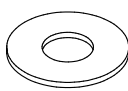


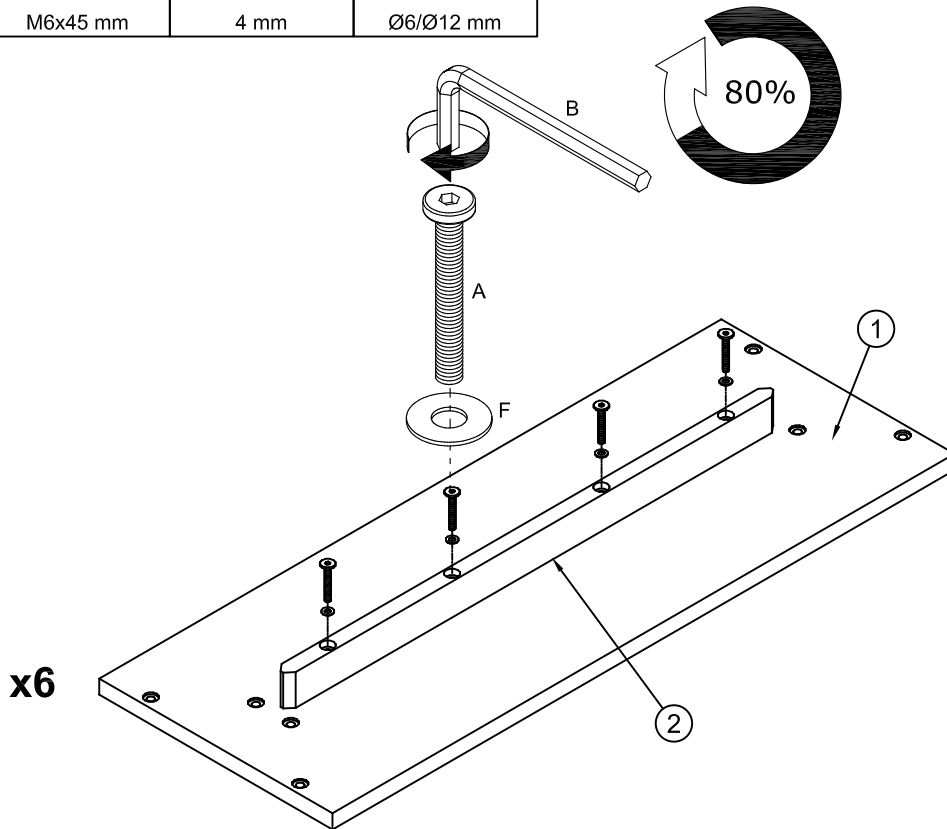
			✓
①	6	800x300x18	
②	6	630x40x18	
③	4	884x176x30	
④	1	884x290x80	



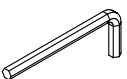
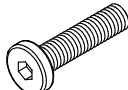
<p>A x 48</p>  <p>M6x45 mm</p>	<p>B x 1</p>  <p>4 mm</p>	<p>C x 2</p>  <p>85x30x15 mm</p>	<p>D x 4</p>  <p>Ø3,5x14 mm</p>	<p>E x 6</p>  <p>Ø25x3 mm</p>
<p>F x 24</p>  <p>Ø6/Ø12 mm</p>	<p>G x 12</p>  <p>M6x25 mm</p>			

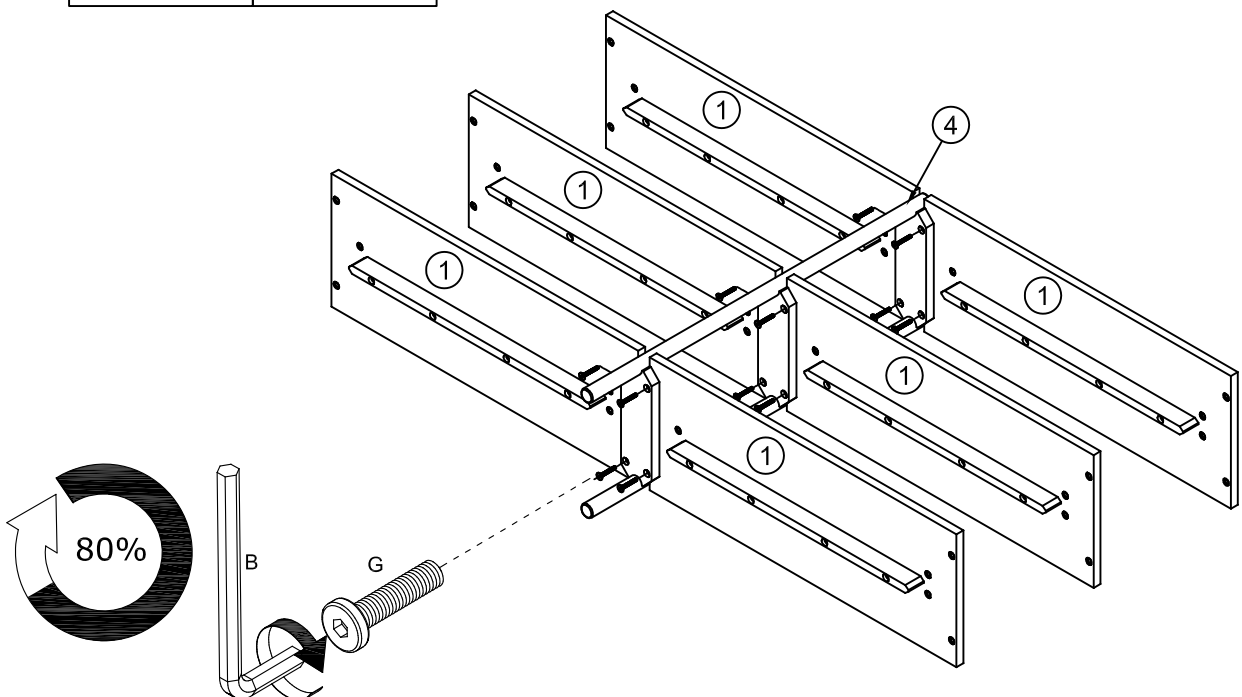
# 1

A x 24  M6x45 mm	B x 1  4 mm	F x 24  Ø6/Ø12 mm
---	--	--

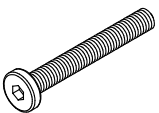
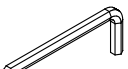


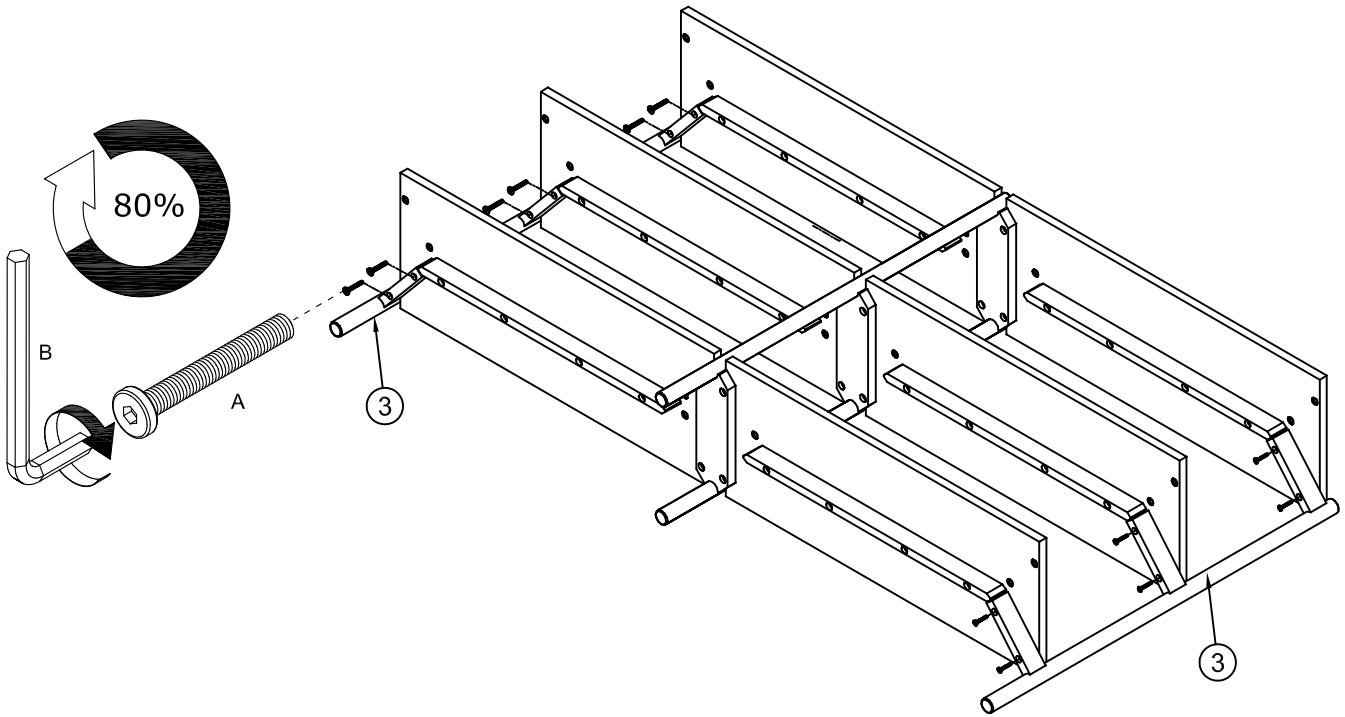
# 2

B x 1  4 mm	G x 12  M6x25 mm
--	---

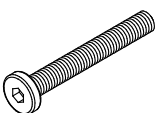



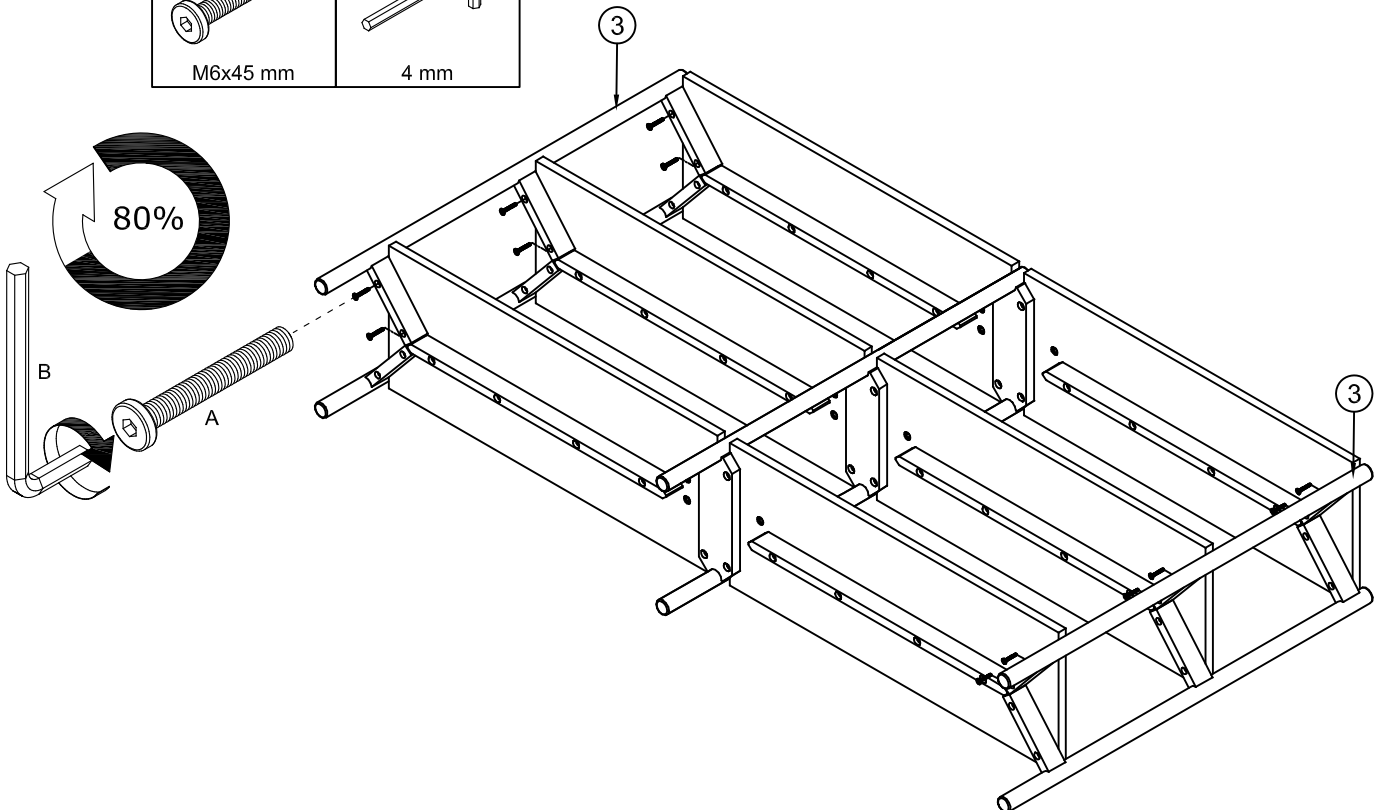
# 3

A x 12	B x 1
	
M6x45 mm	4 mm

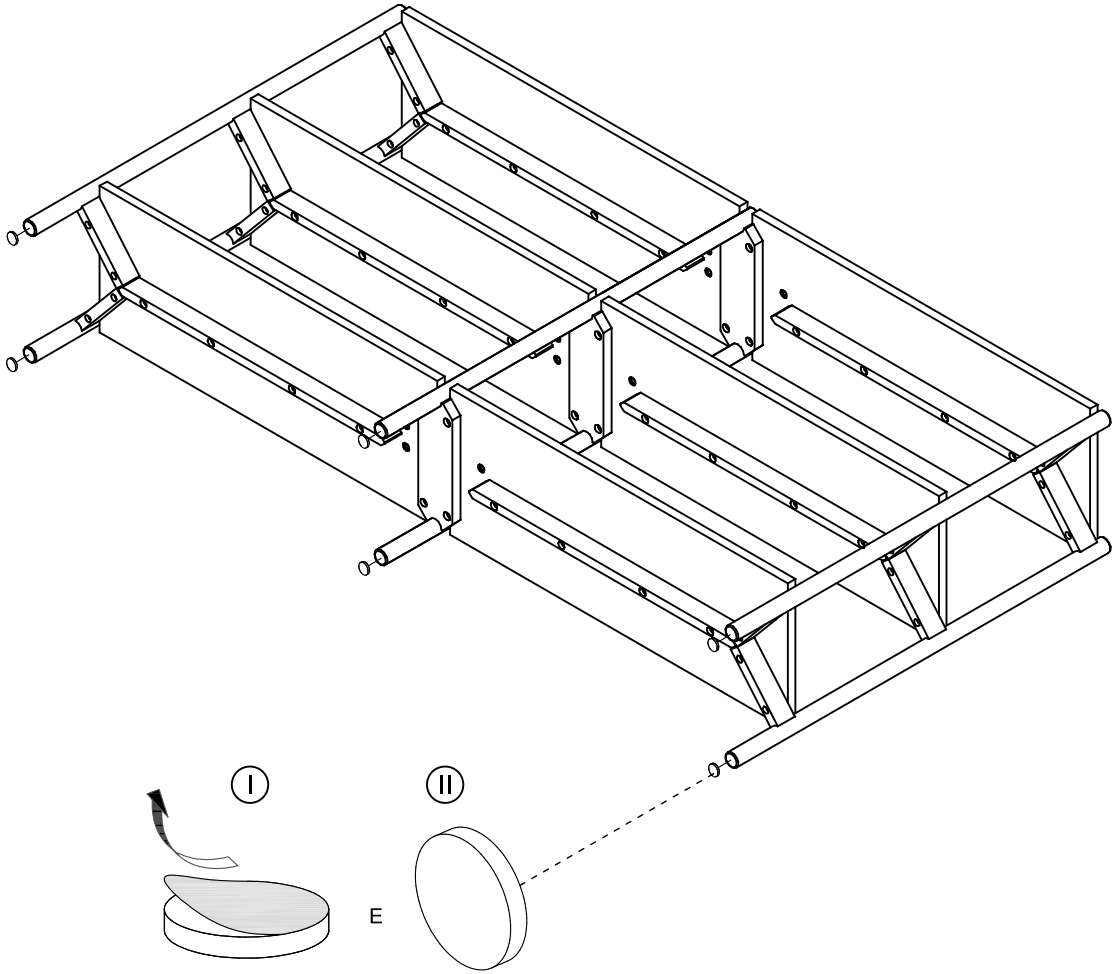
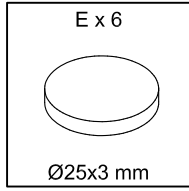


# 4

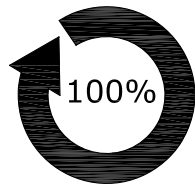
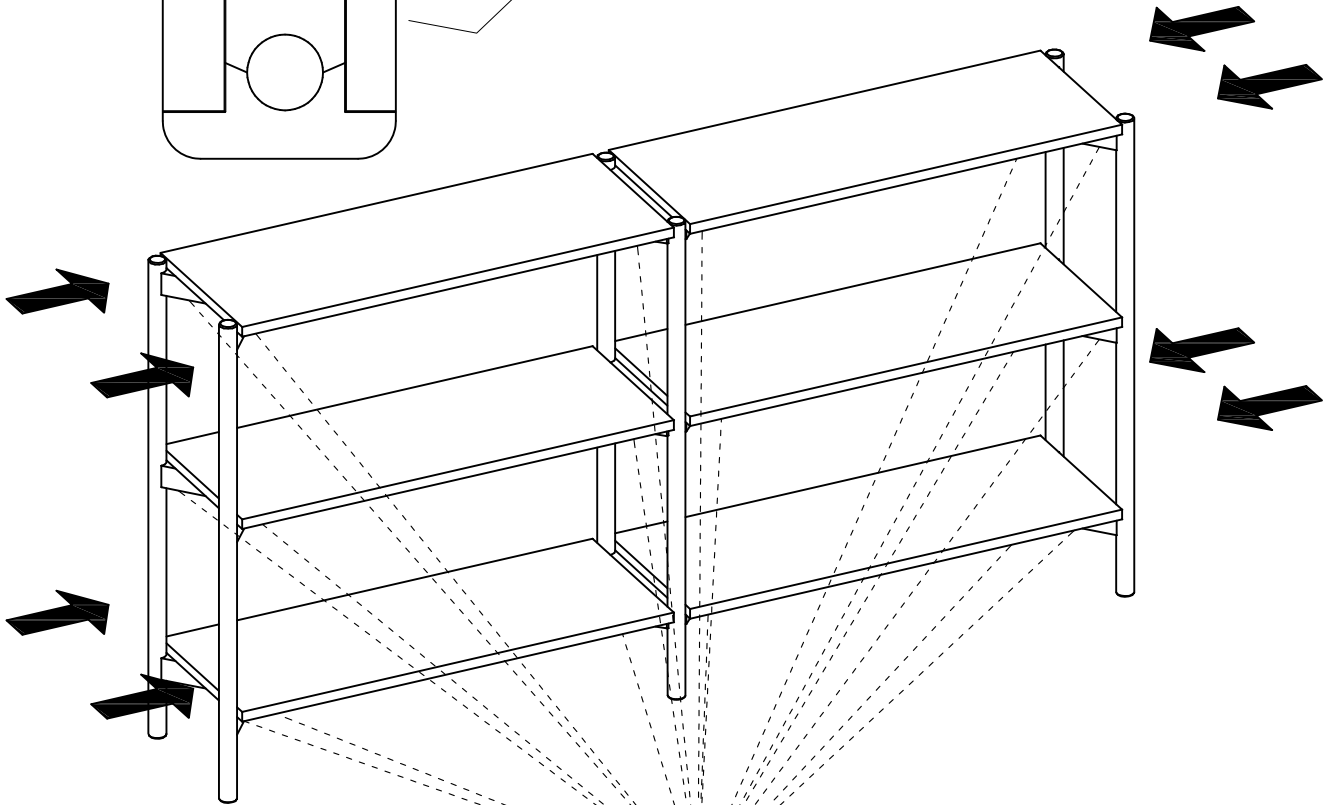
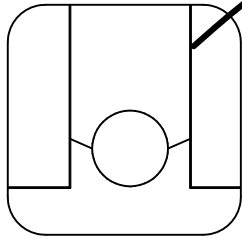
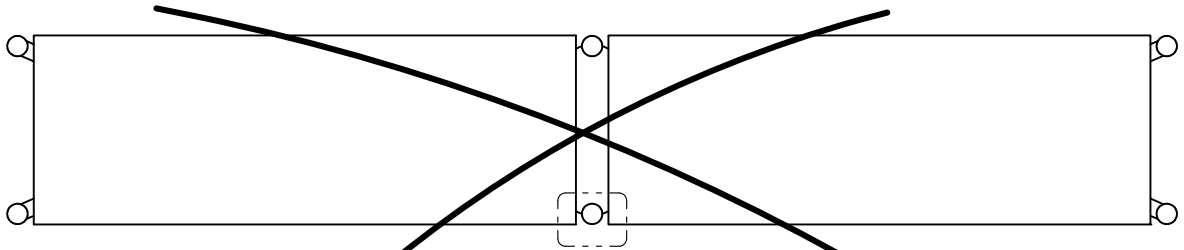
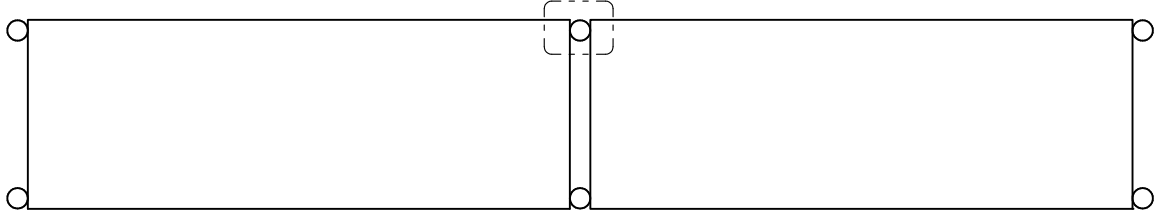
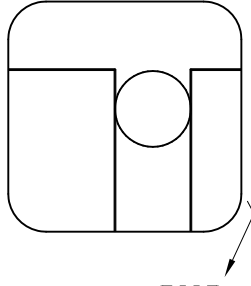
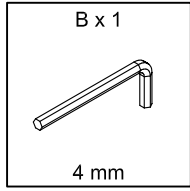
A x 12	B x 1
	
M6x45 mm	4 mm



5

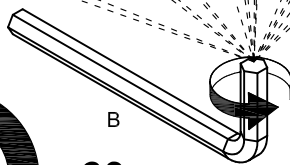


6



x60

B



# 7

