
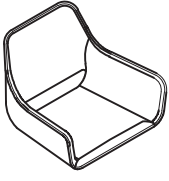

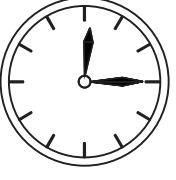


 ① × 2	 ② × 2	 ③ × 1	 M6×15 ④ × 12
	 φ16/φ6 ⑤ × 12	 #4 ⑥ × 1		

