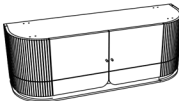


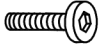
# KARE

Sideboard Glenn Nature  
Code - 86463

Ax1



C



x8

D



x8

E



x1



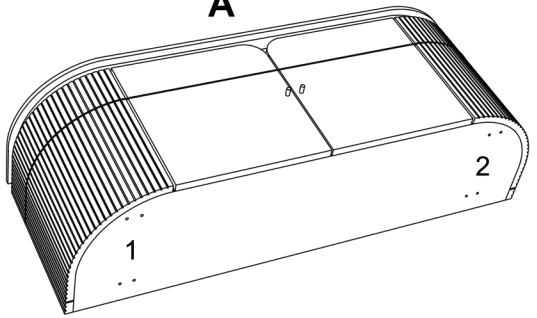
15 MIN

Bx2

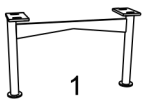


1

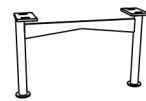
A



B

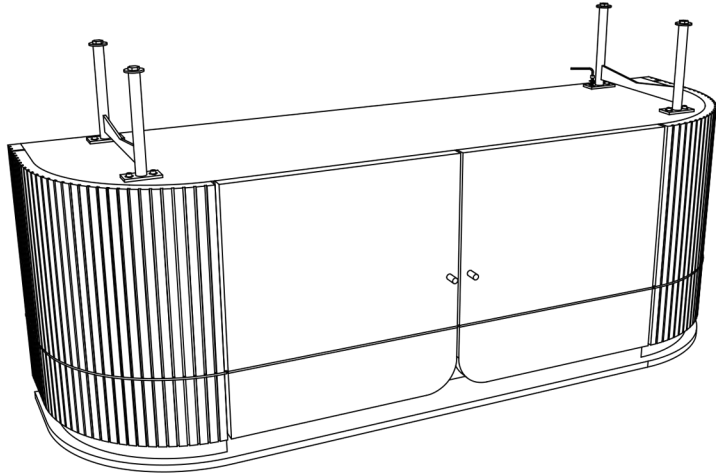


1



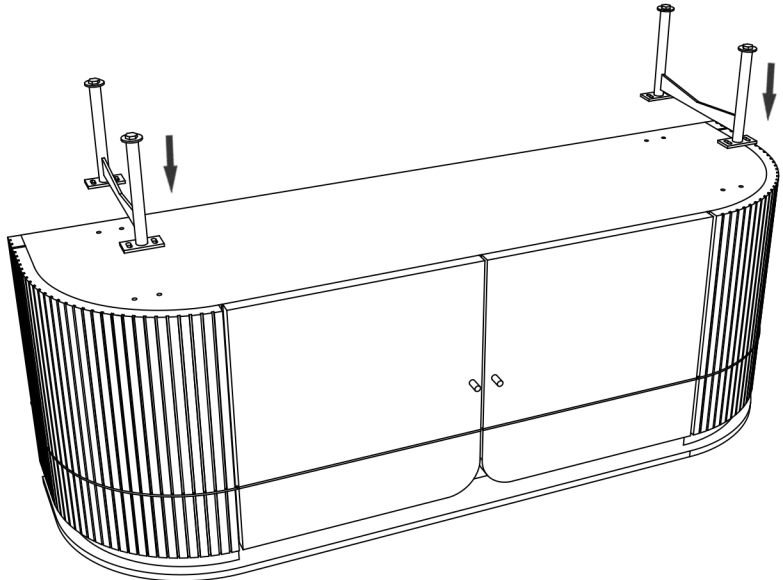
2

3



C+D+E

2



A+B

4

ASSEMBLED VIEW

