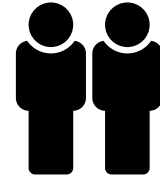
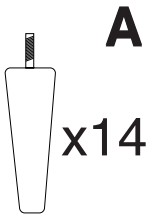


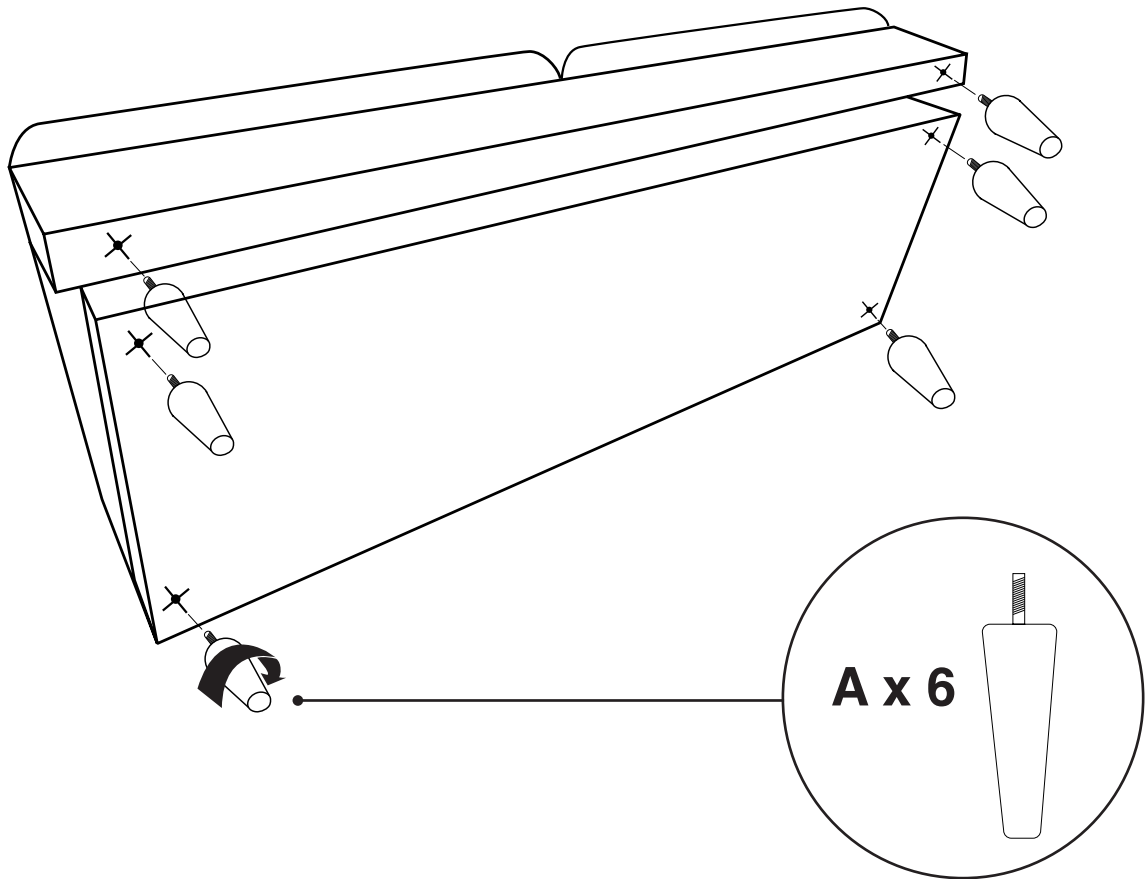
Moghan

corner sofa



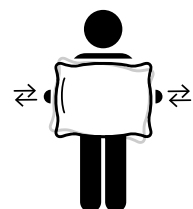
* the installation method for a right and left-sided sofa is analogous.

1.1



1 of 8

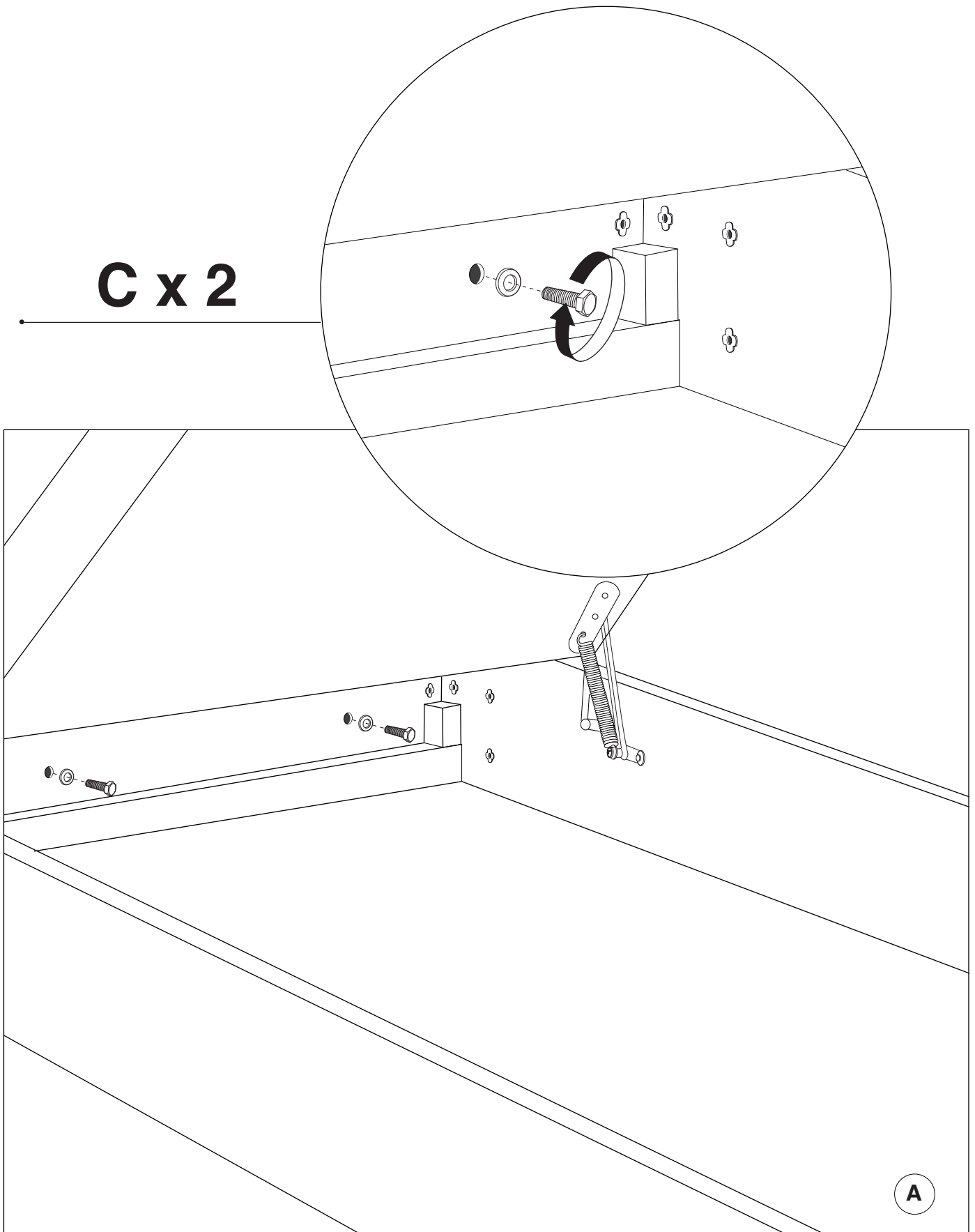
SHAPE UP ALL PILLOWS AND CUSHIONS!



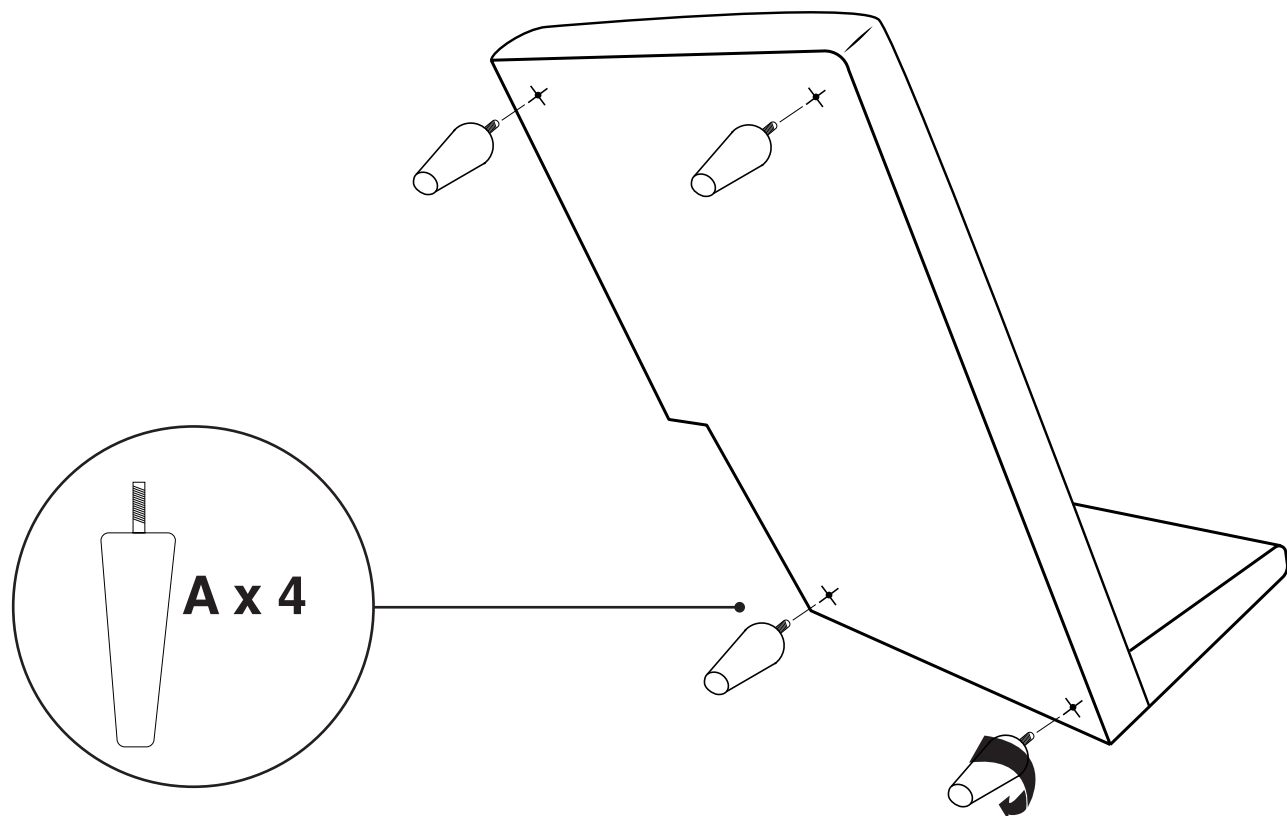
2

Moghan
corner sofa

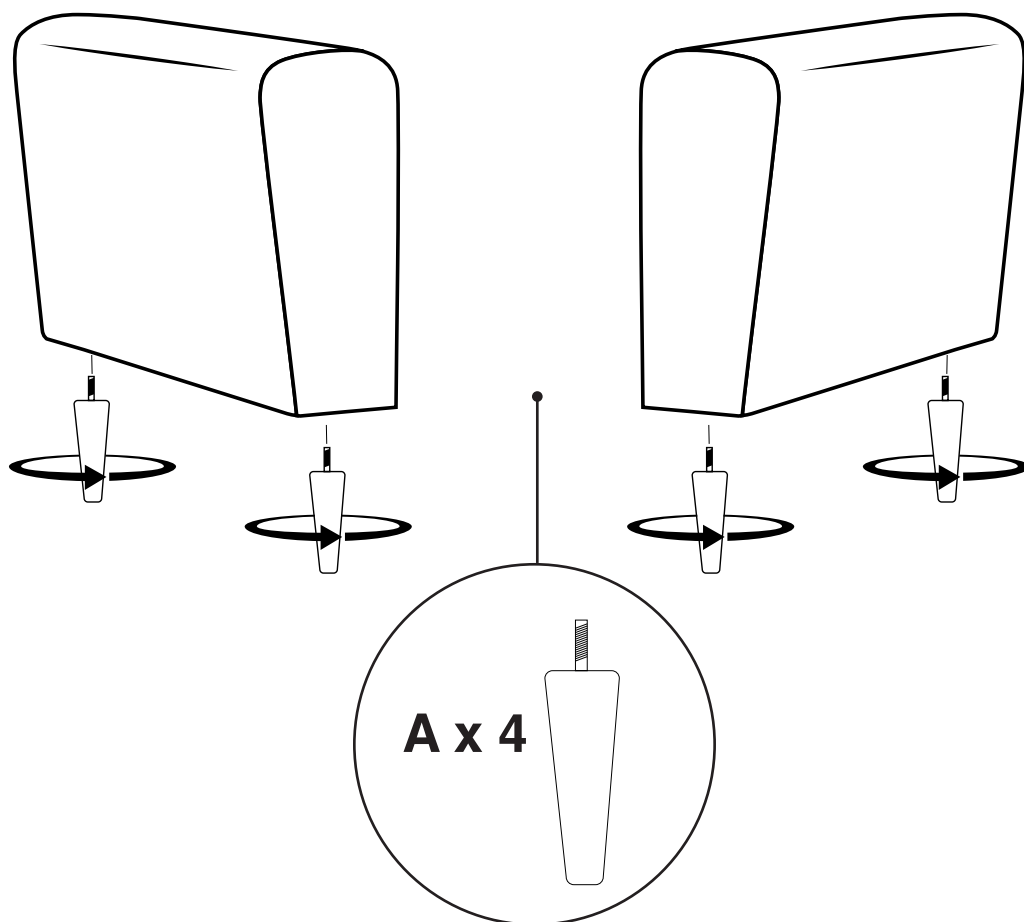
C x 2

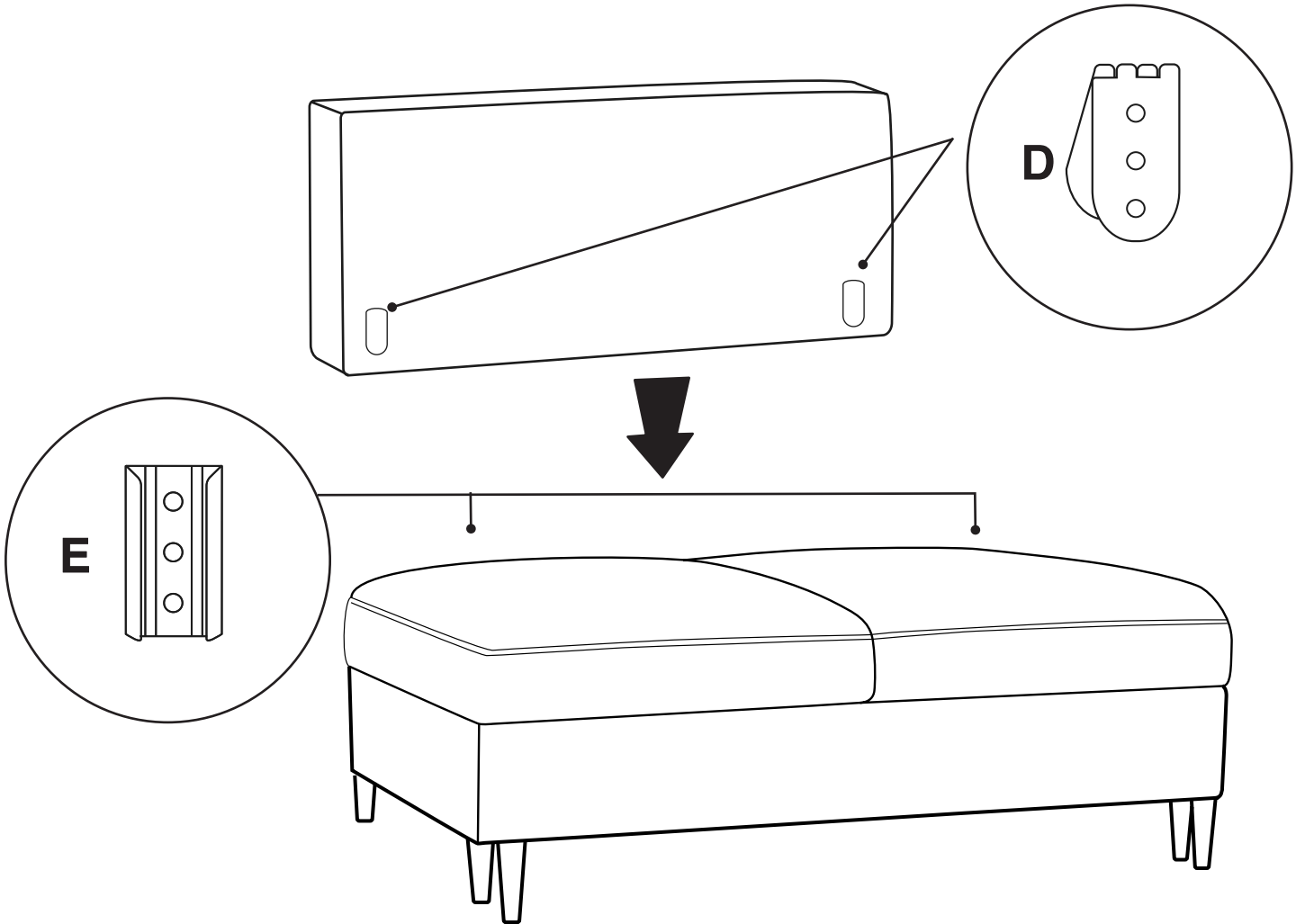


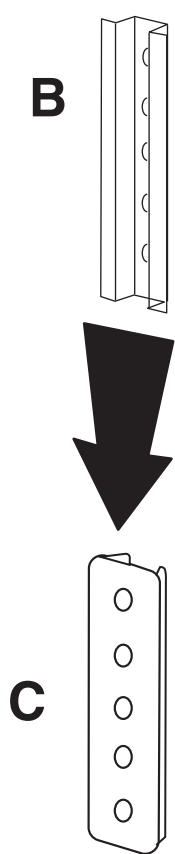
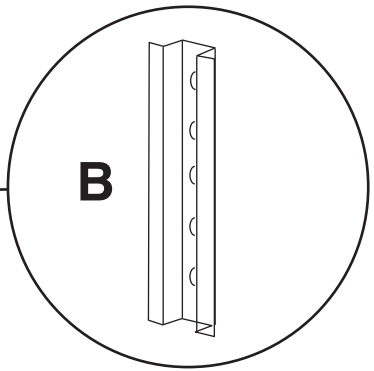
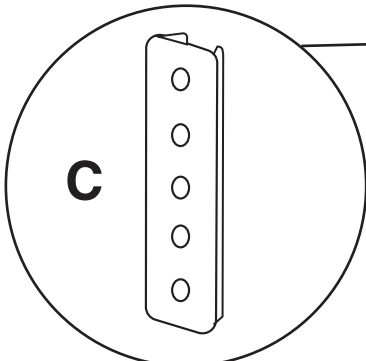
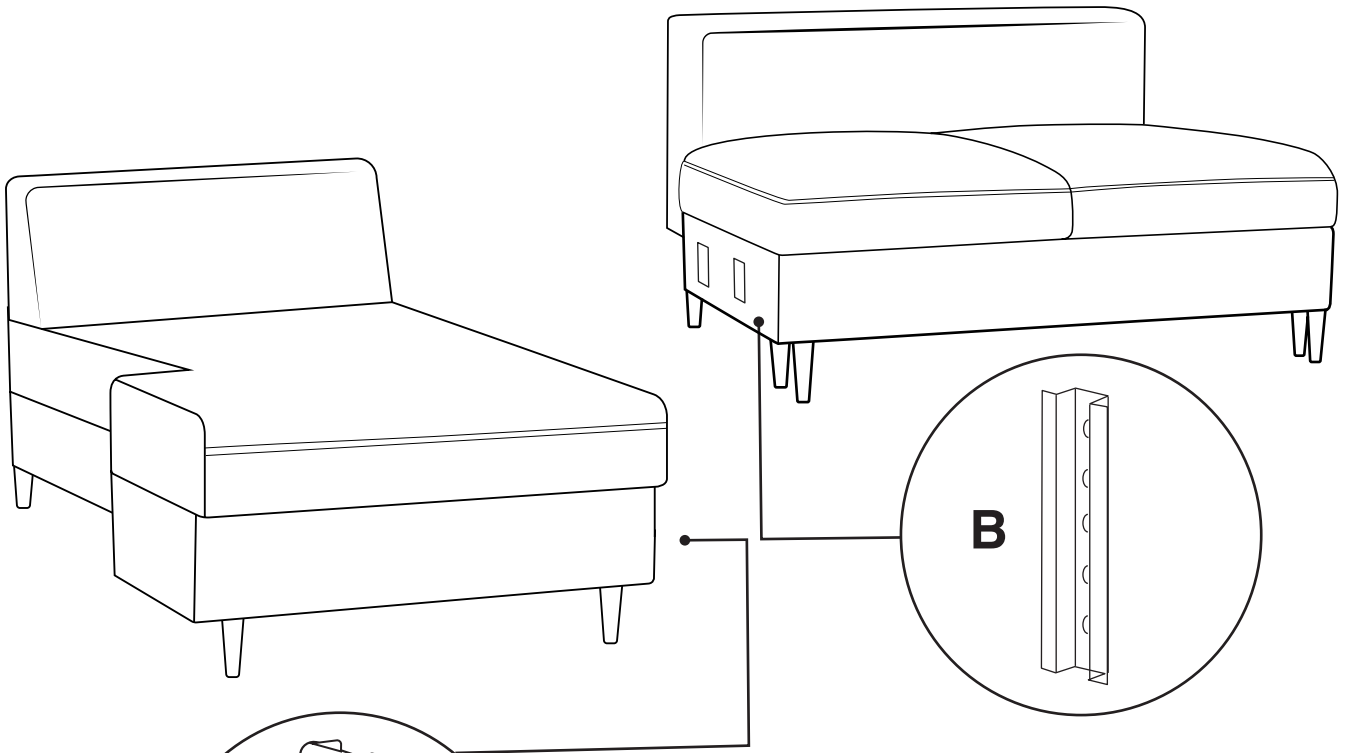
3.

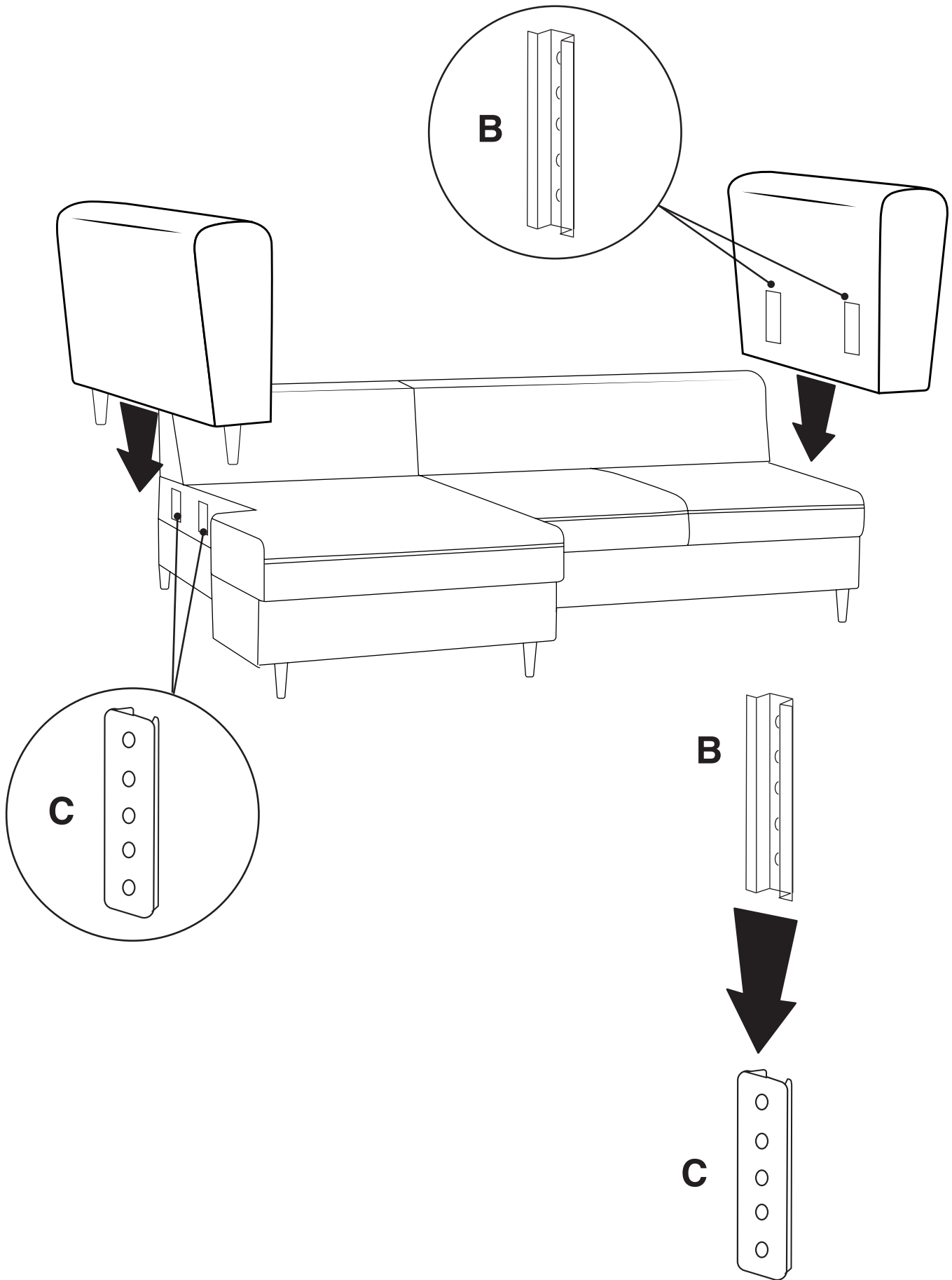


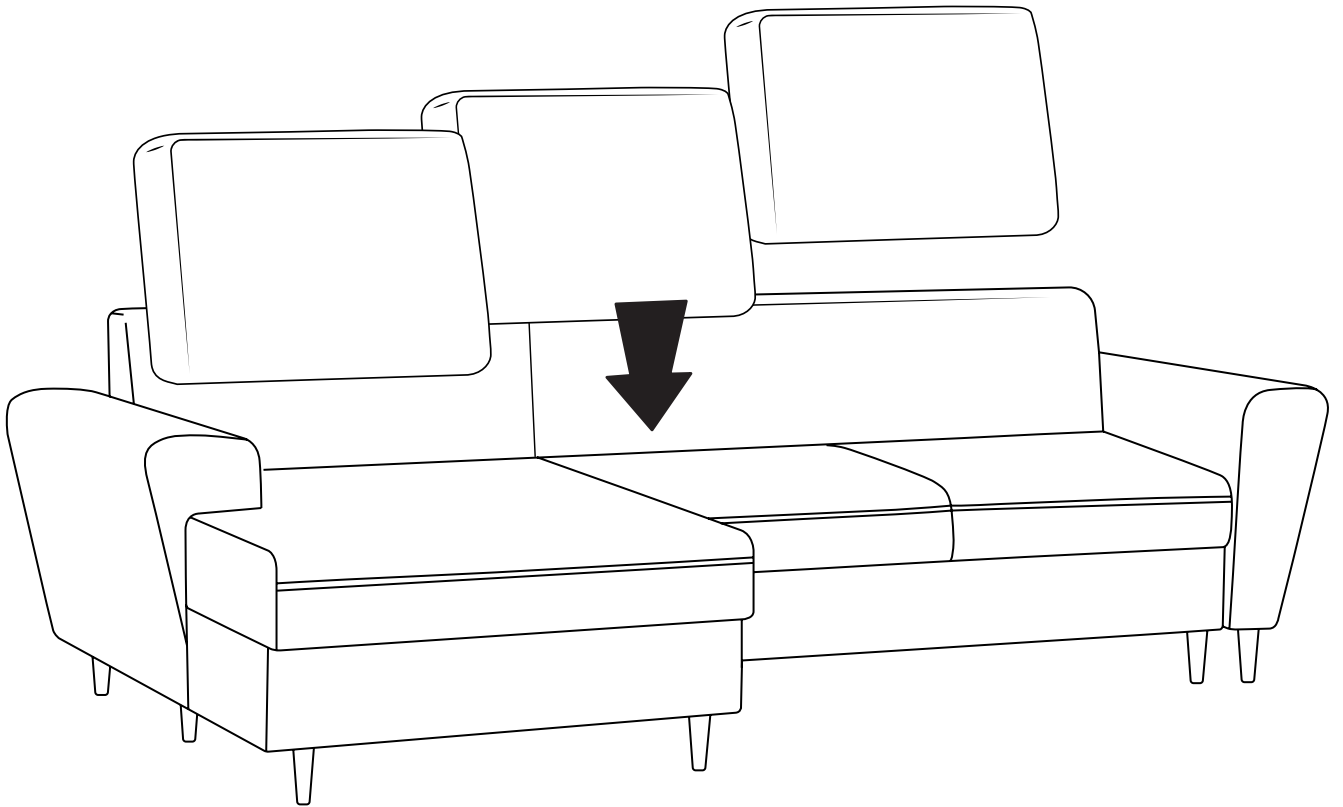
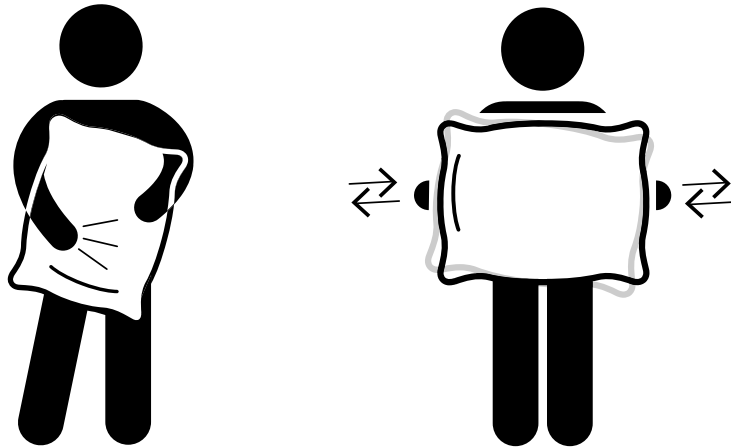
4.



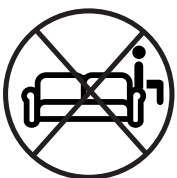
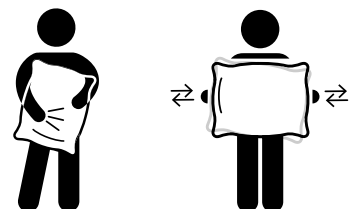






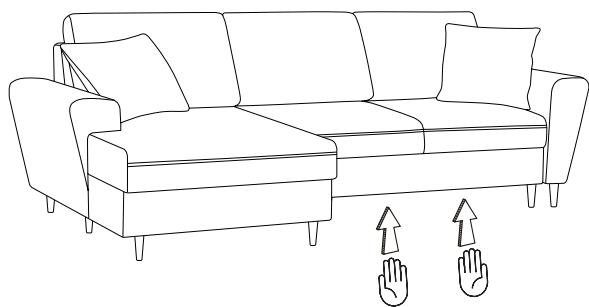


SHAPE UP ALL PILLOWS AND CUSHIONS!

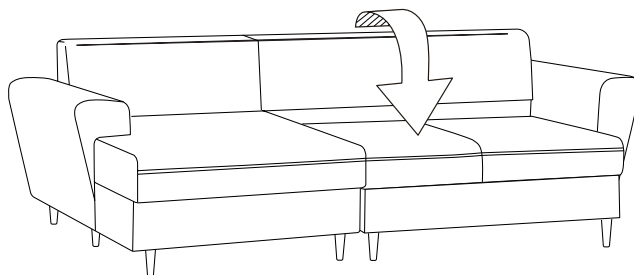


bed function

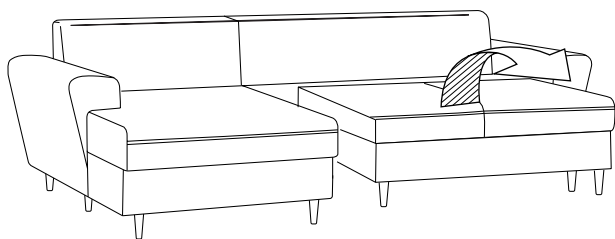
1.



3.



2.



4.

