

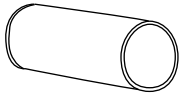
Gobi

corner sofa

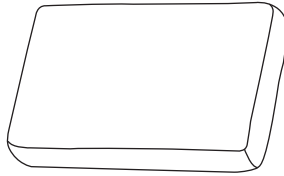
x10



x2

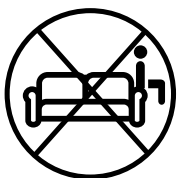
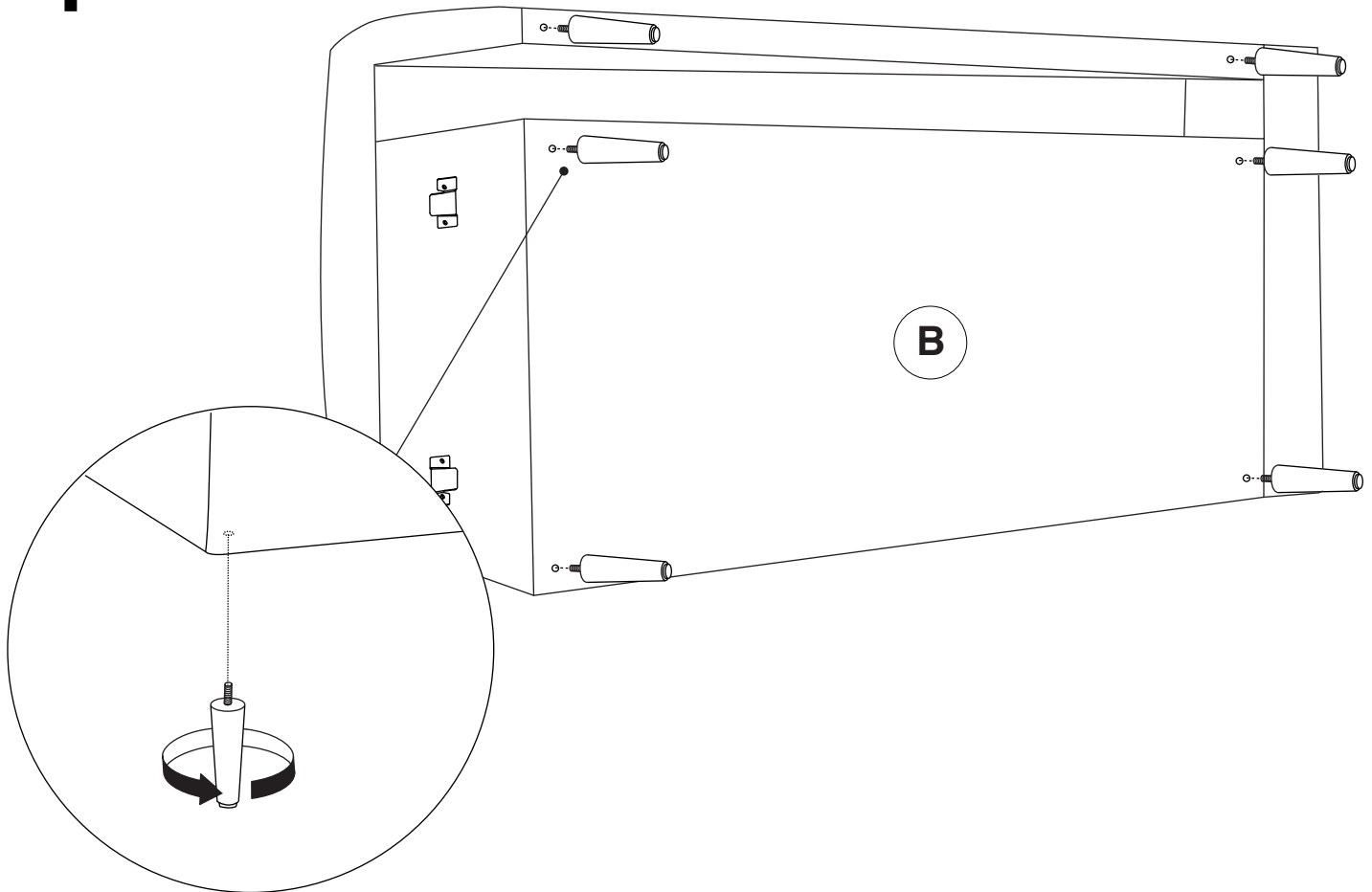


x3



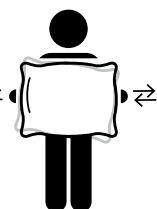
* the installation method for a right and left-sided sofa is analogous

1

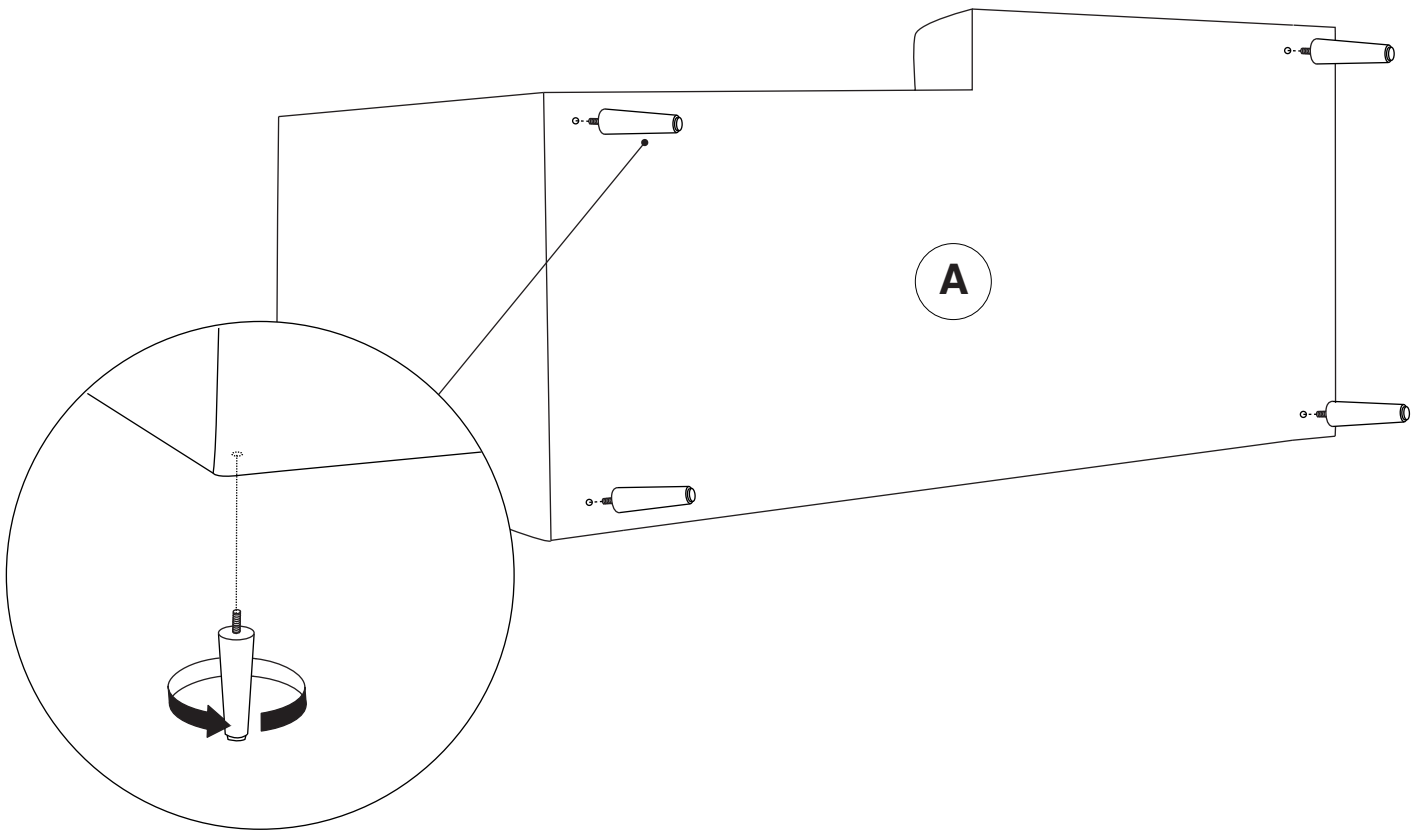


1 of 5

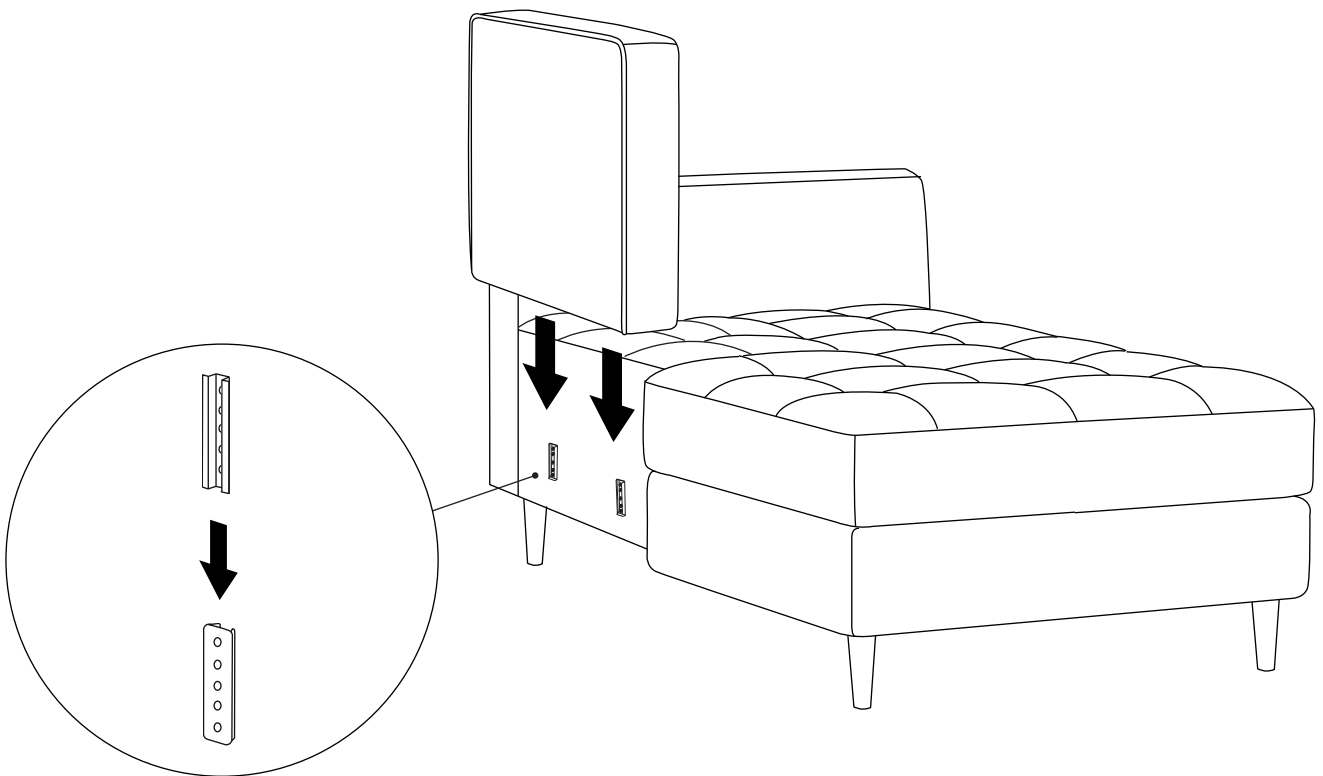
SHAPE UP ALL PILLOWS AND CUSHIONS!



2

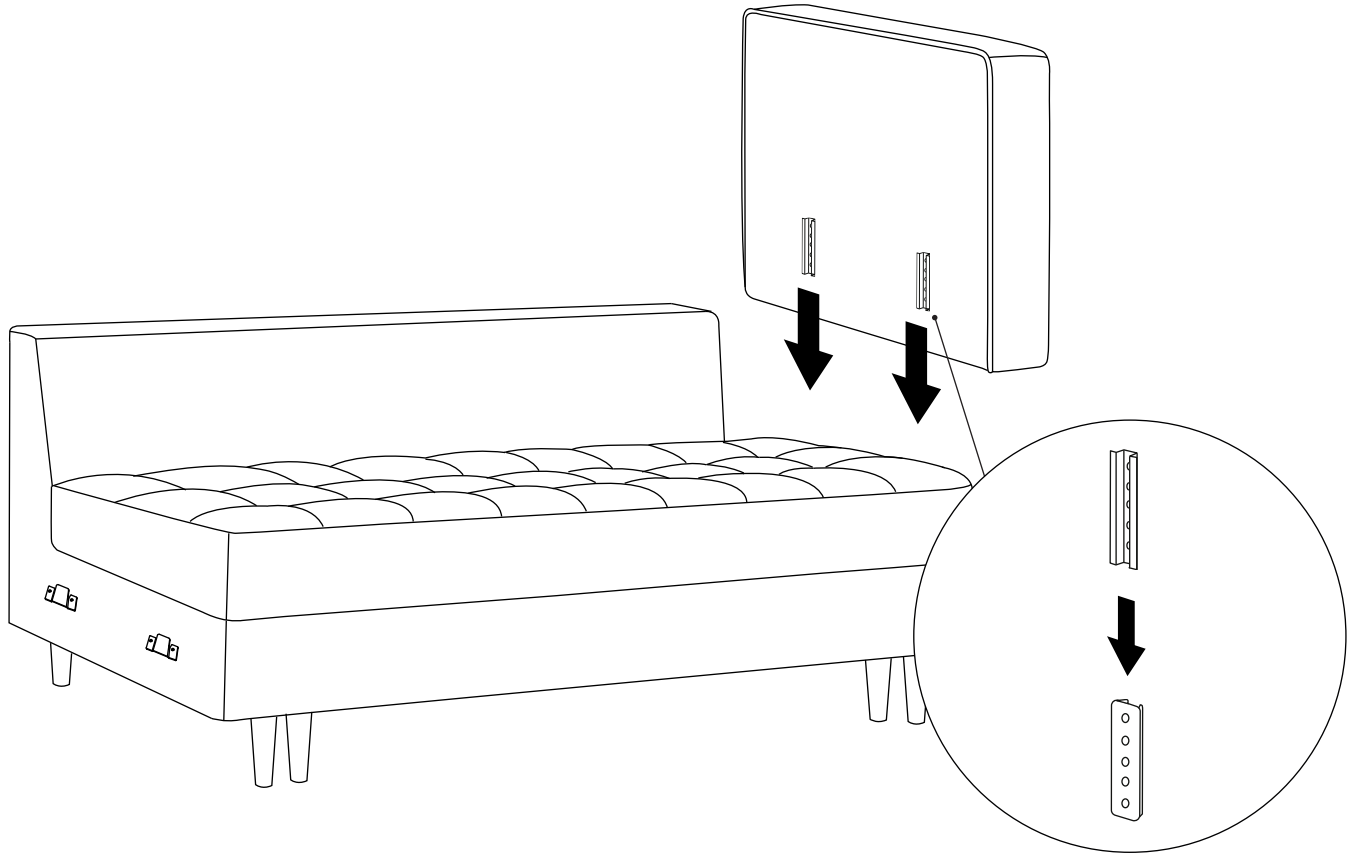


3

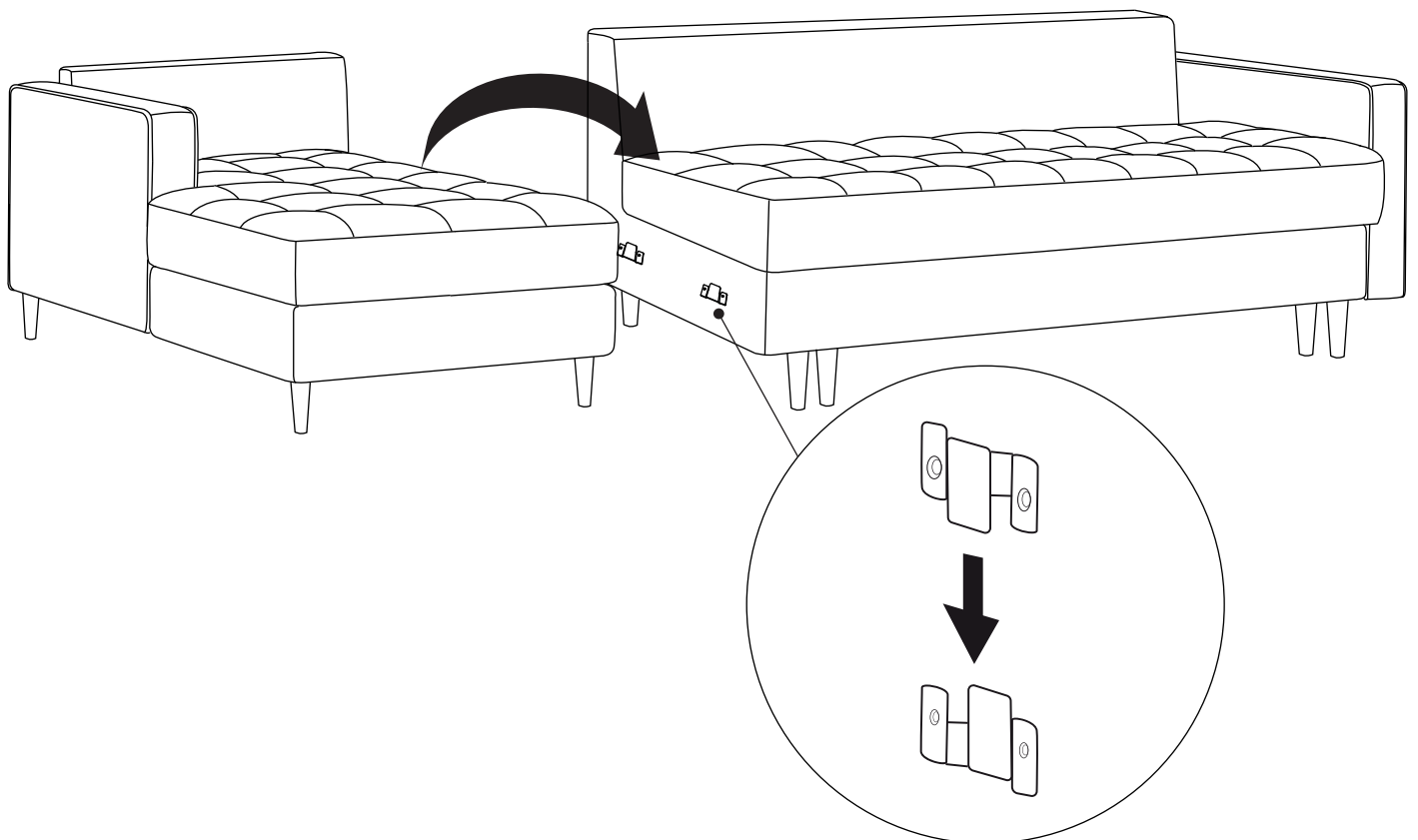


4

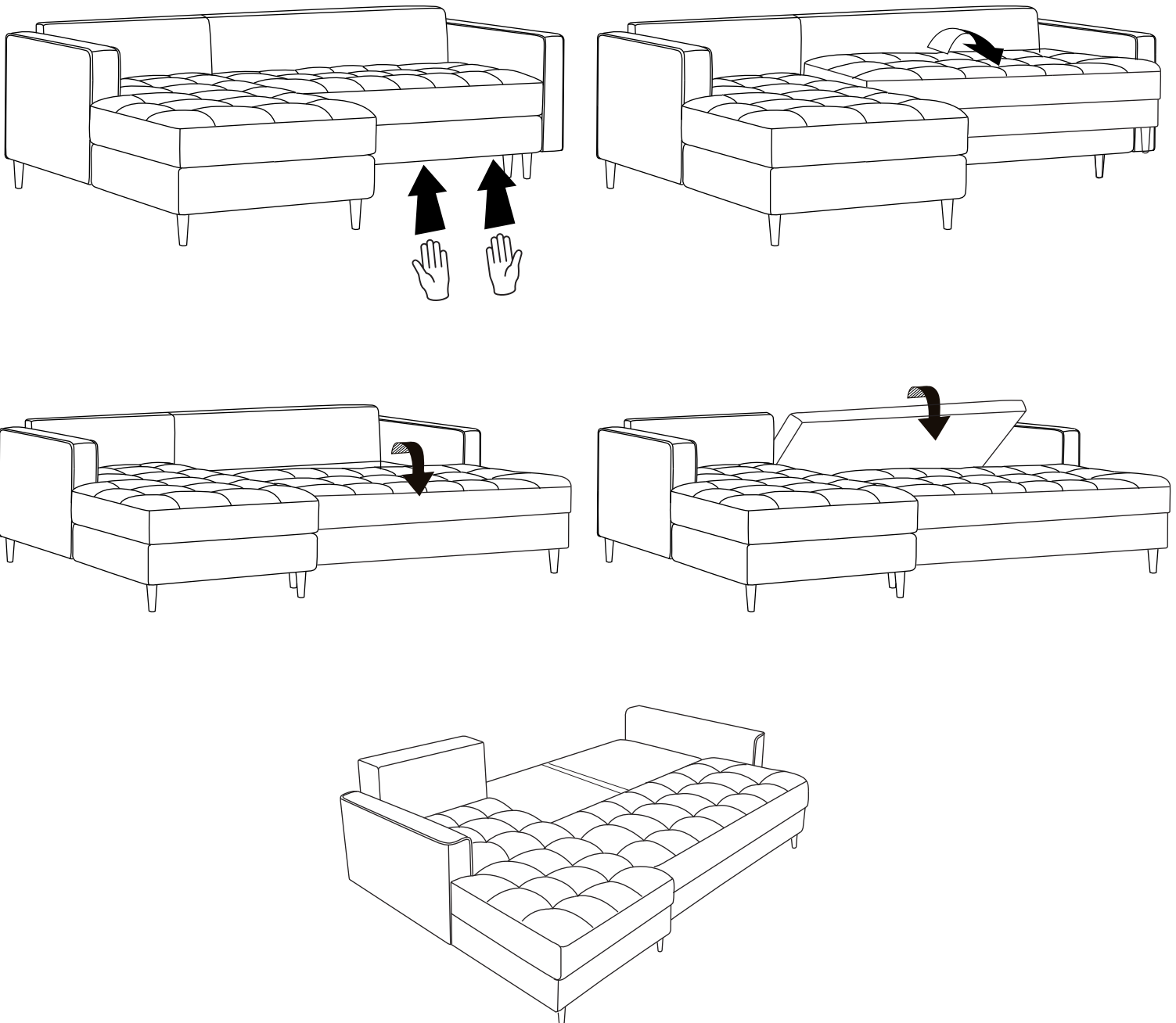
Gobi
corner sofa



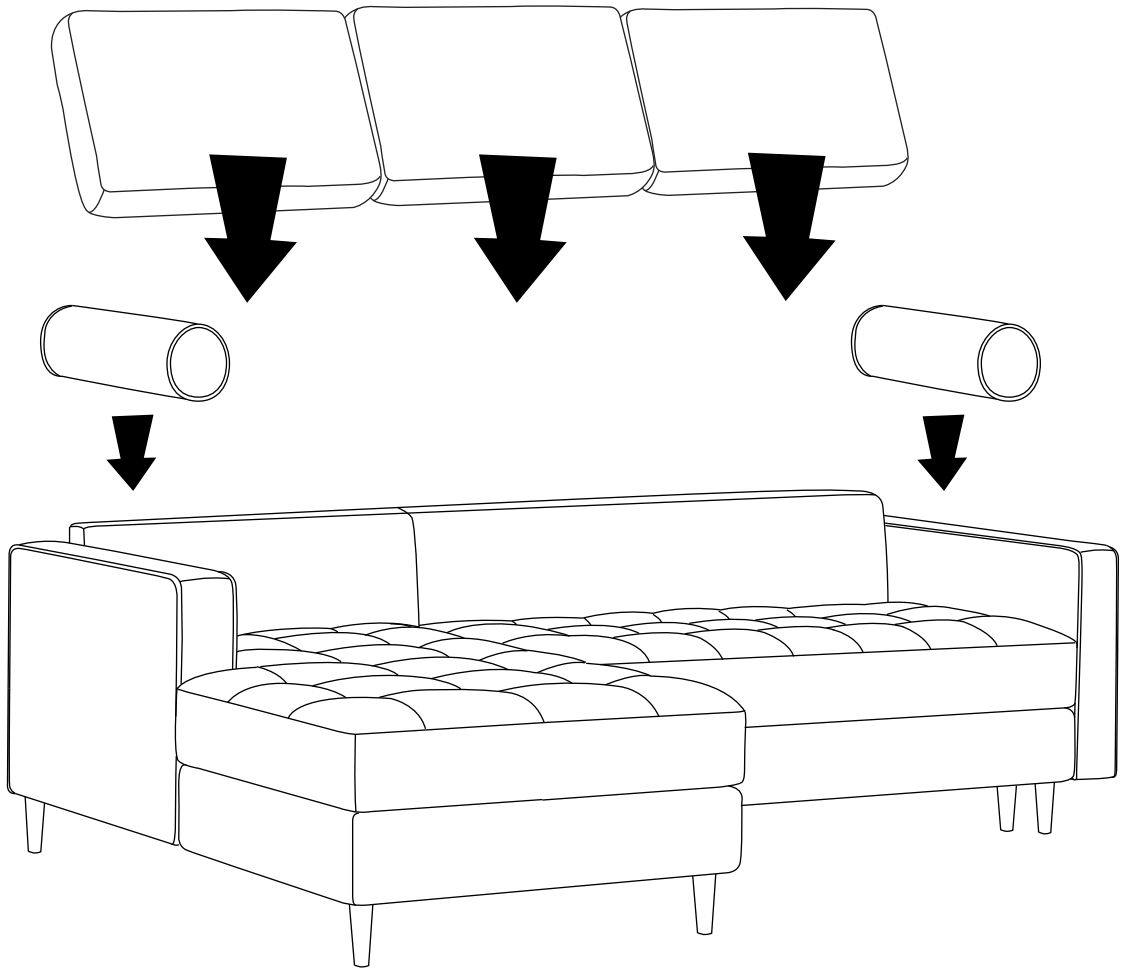
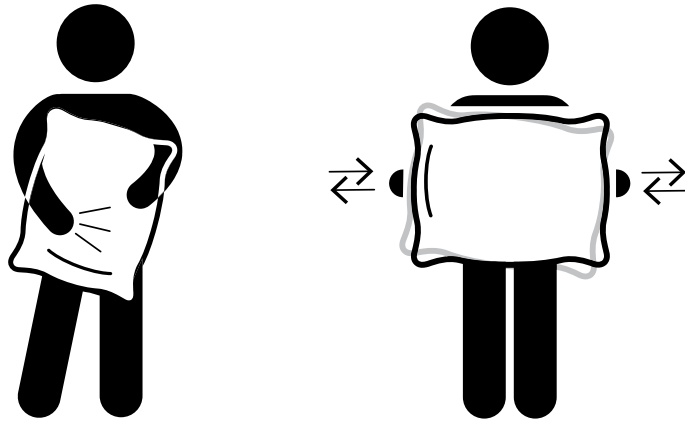
5



bed function



SHAPE UP ALL PILLOWS AND CUSHIONS!



SHAPE UP ALL PILLOWS AND CUSHIONS!

