

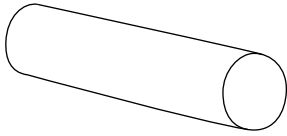
Leona

sofa

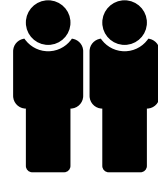
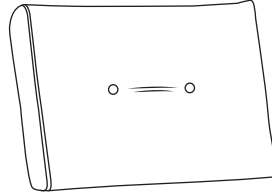
x14



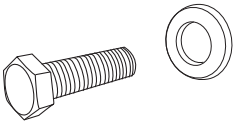
x2



x3



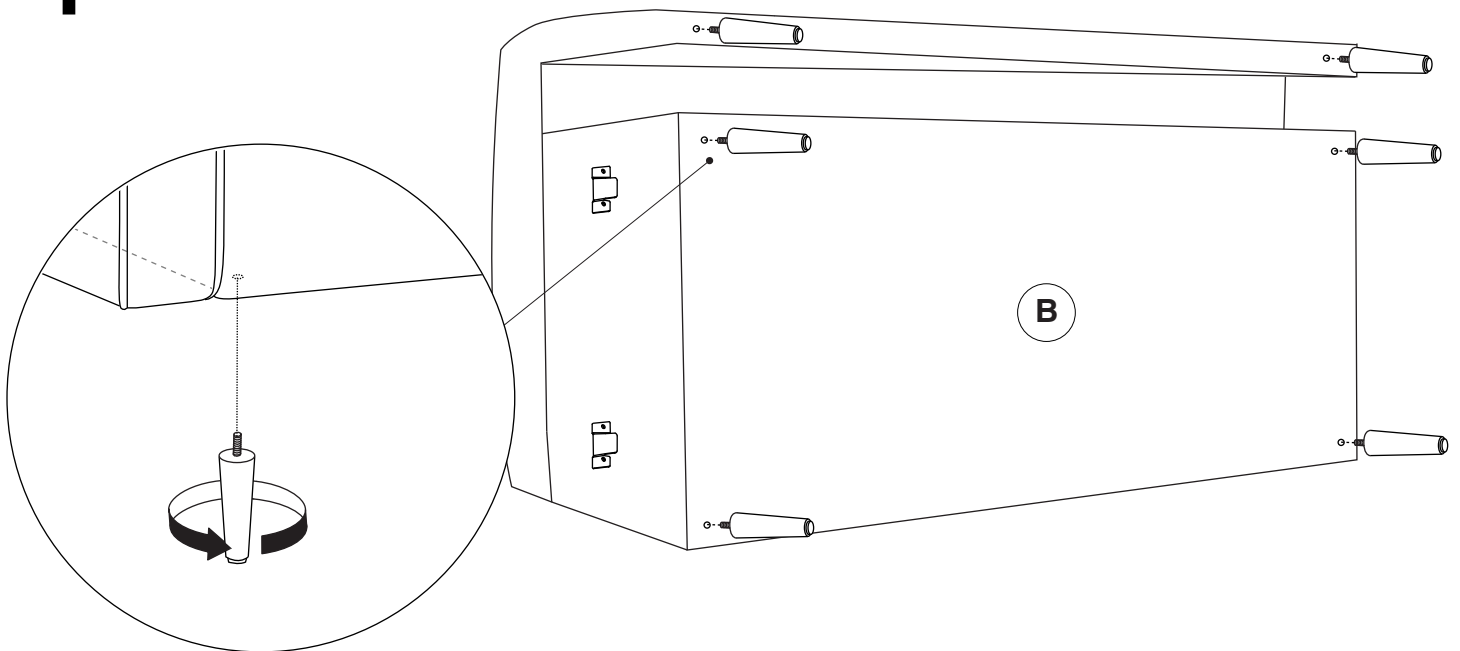
x2



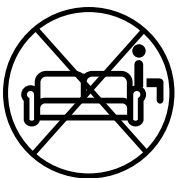
C

*the installation method for a right and left sided sofas are analogues.

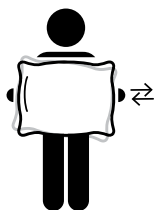
1



SHAPE UP ALL PILLOWS AND CUSHIONS!

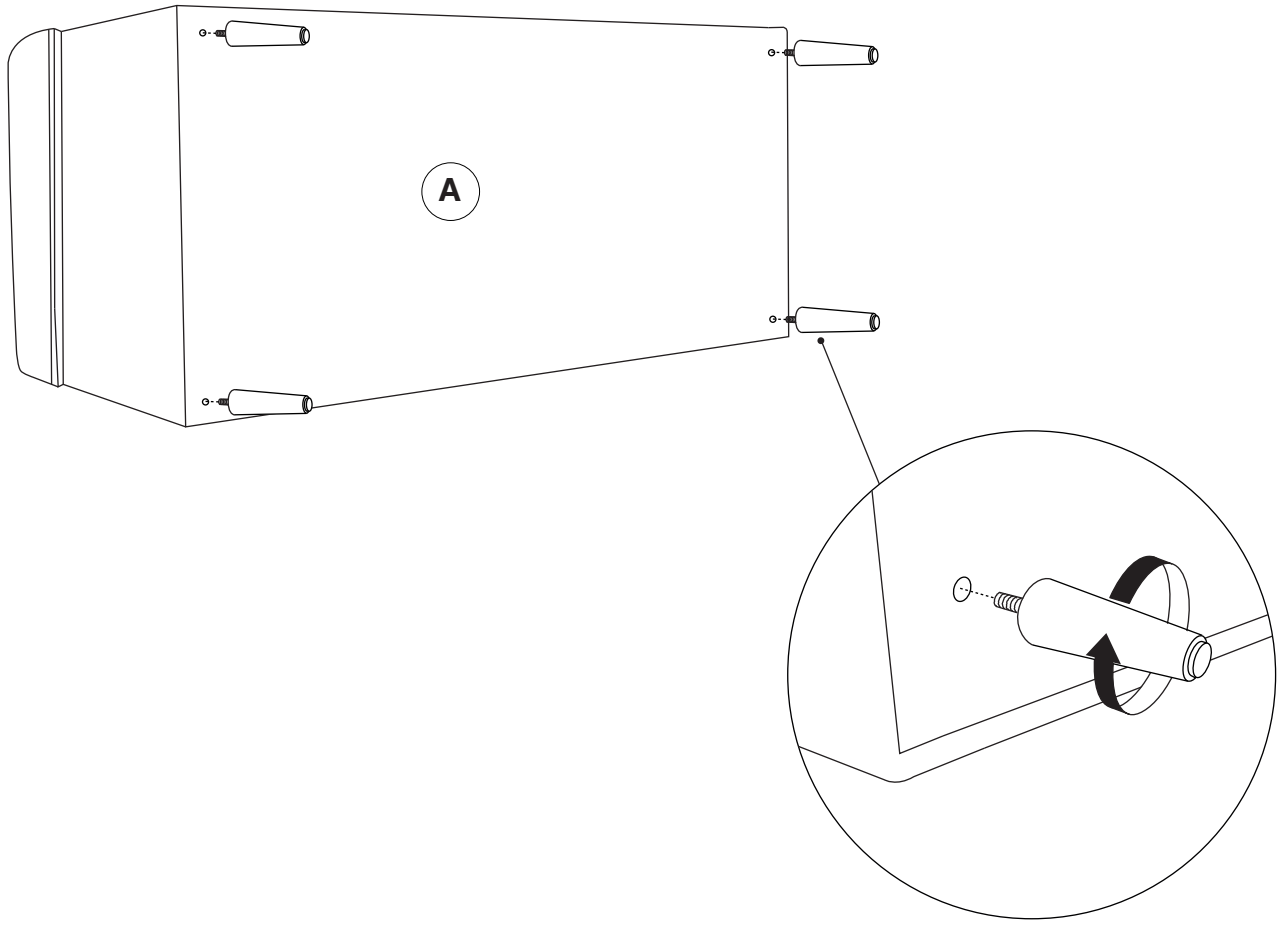


1 of 7

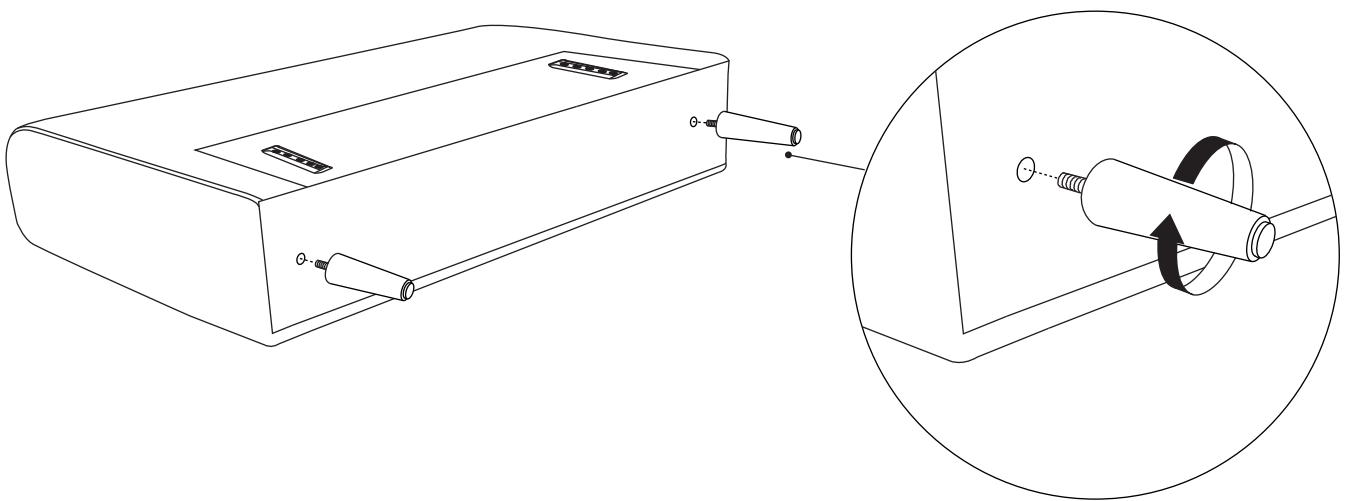


2

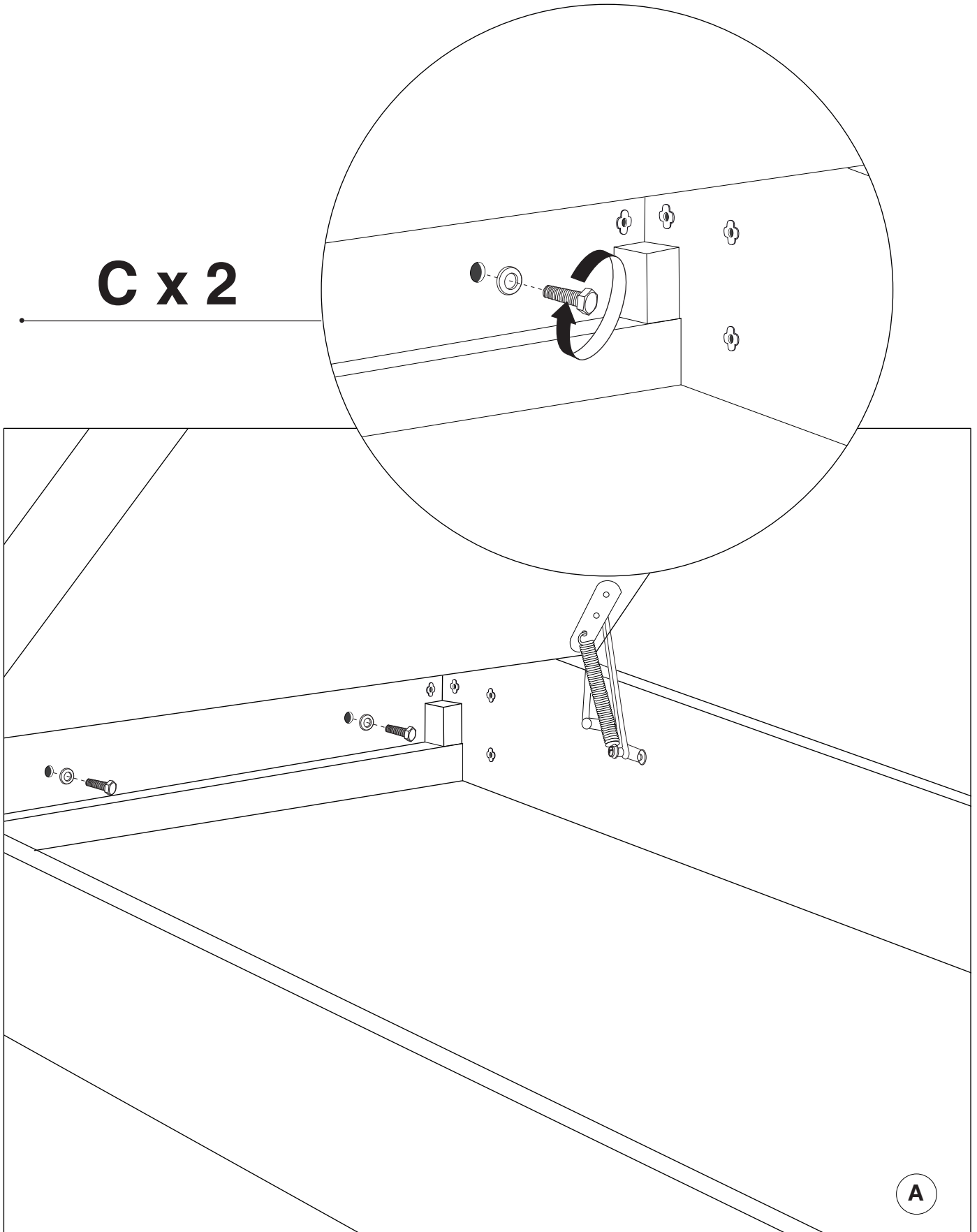
Leona
sofa



3

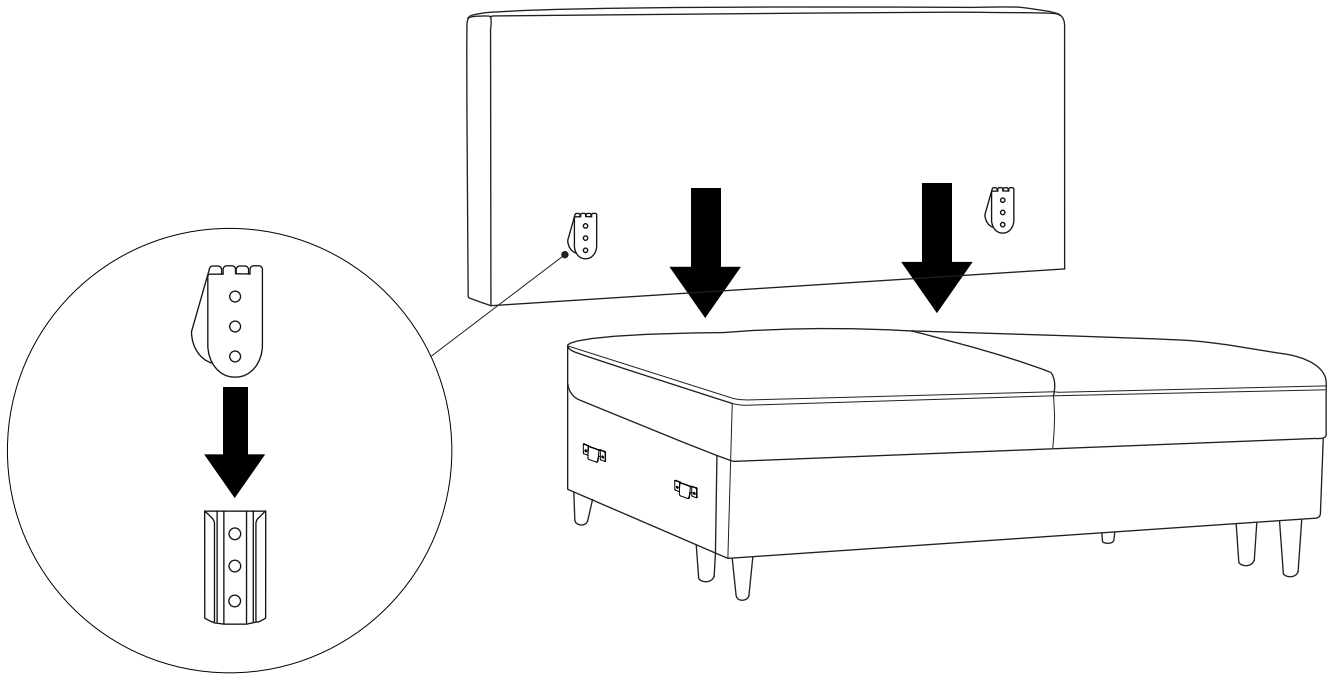


C x 2

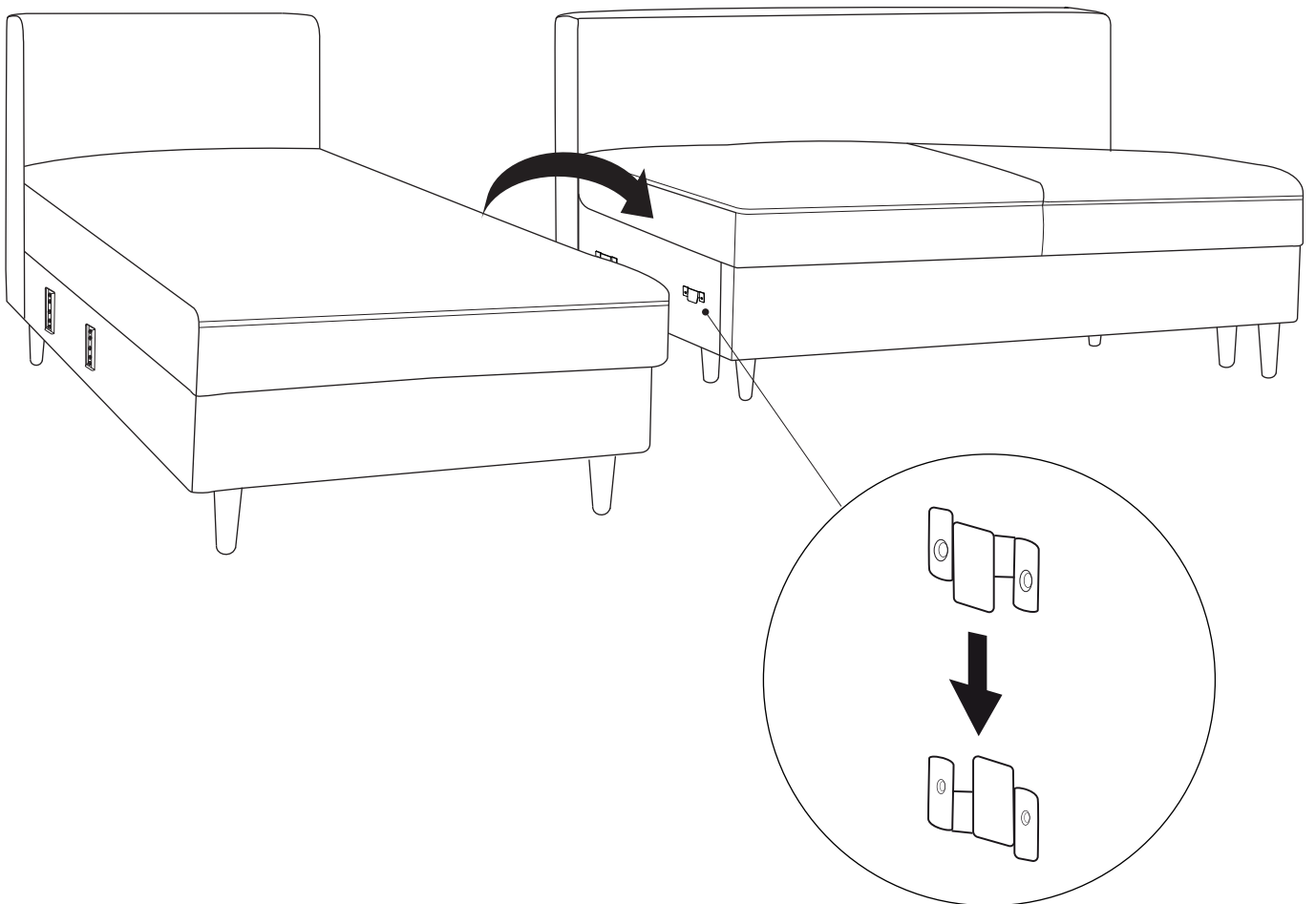


5

Leona
sofa

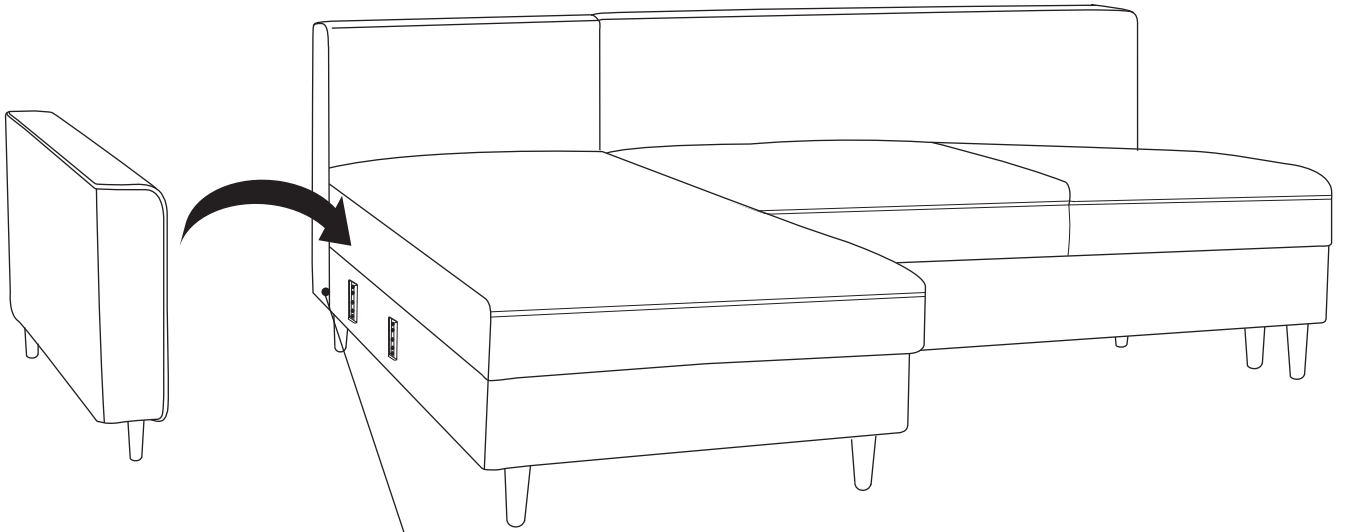


6

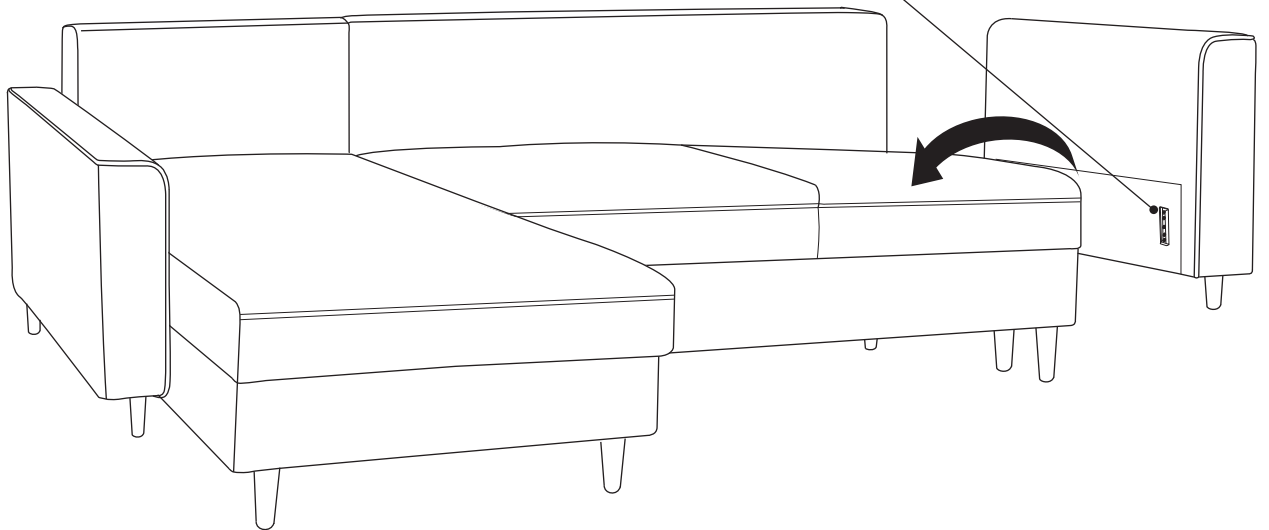
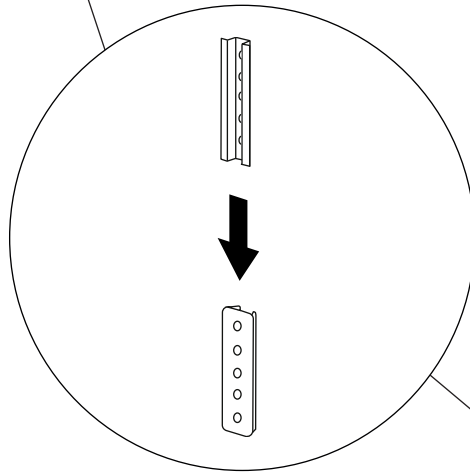


7

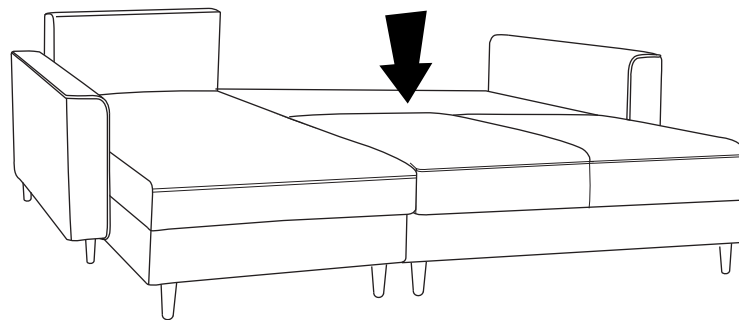
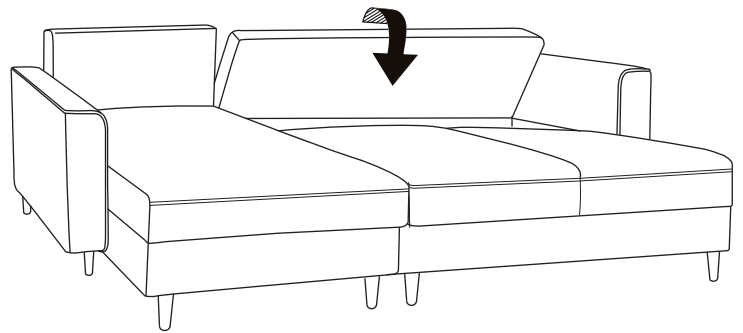
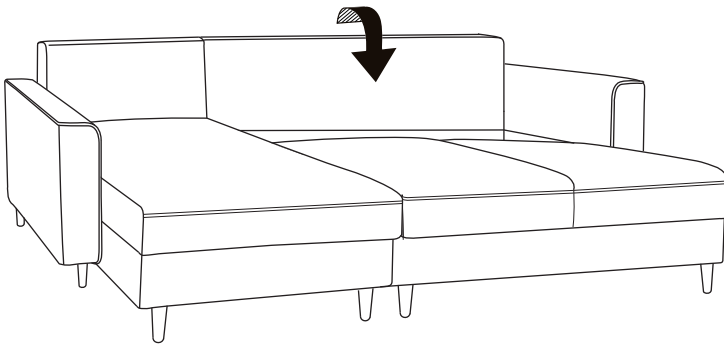
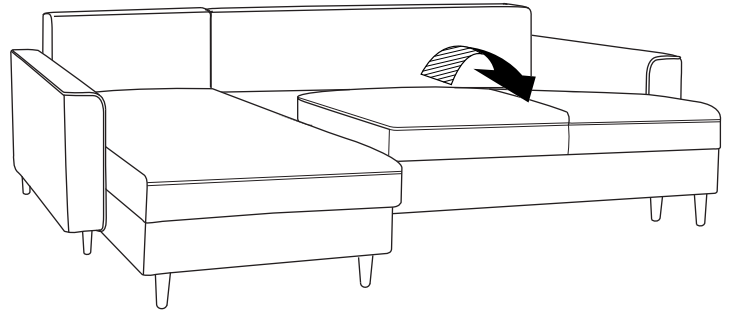
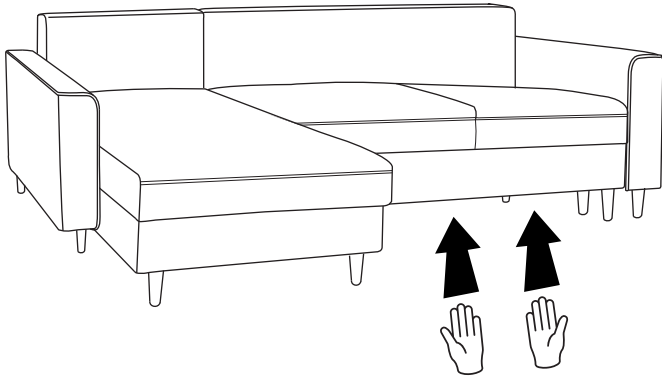
Leona
sofa



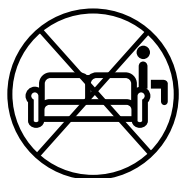
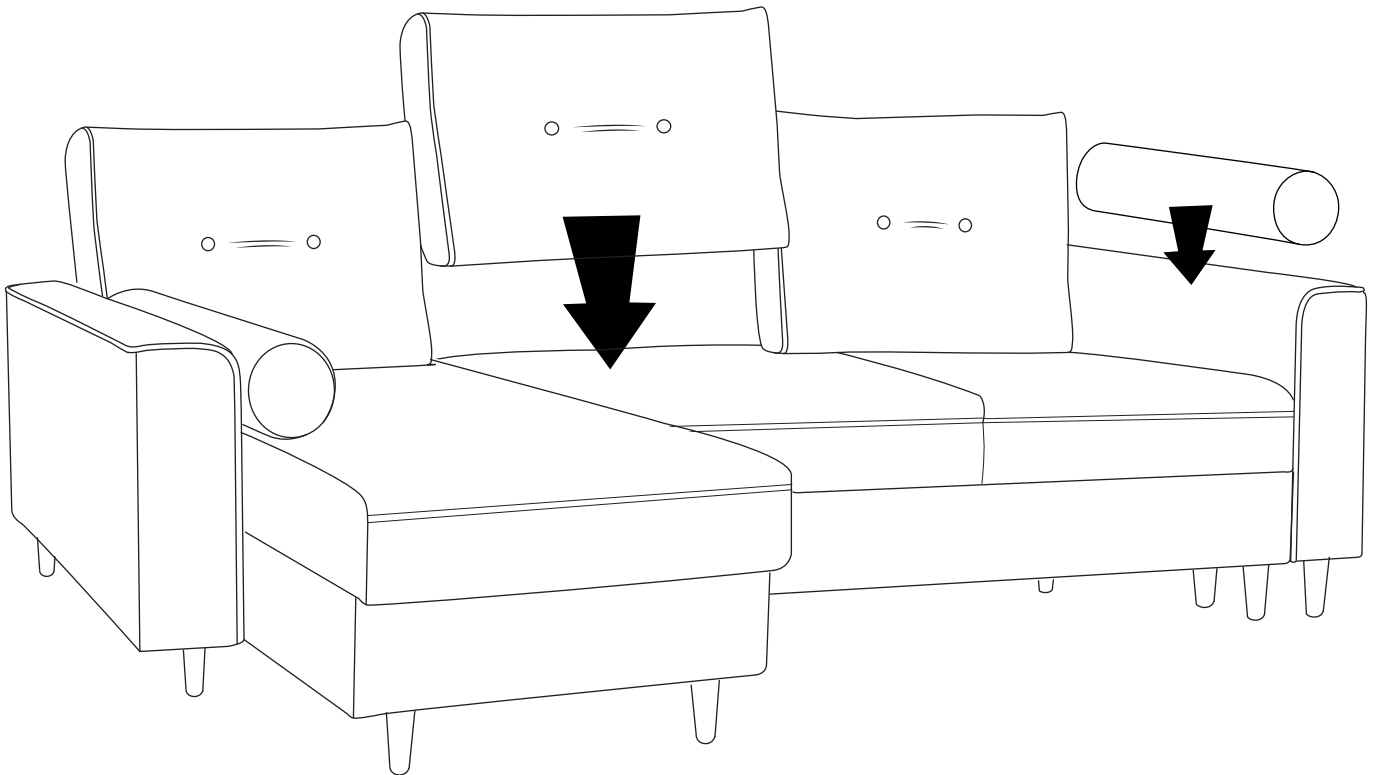
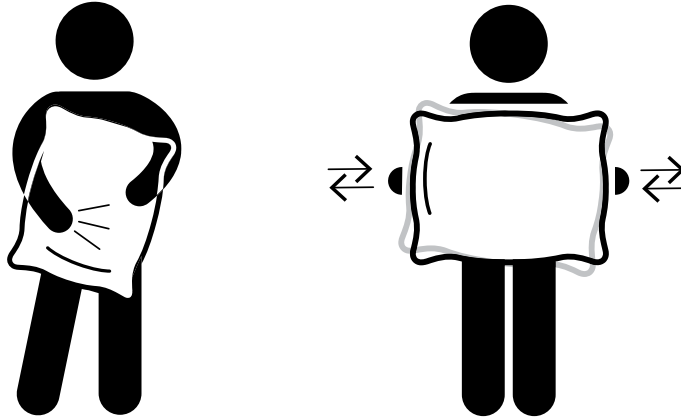
8



bed function



SHAPE UP ALL PILLOWS AND CUSHIONS!



7 of 7

SHAPE UP ALL PILLOWS AND CUSHIONS!

