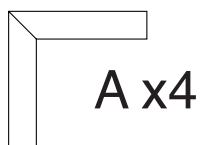


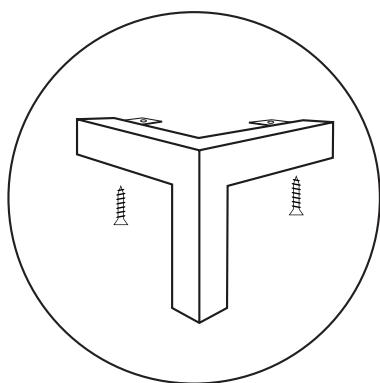
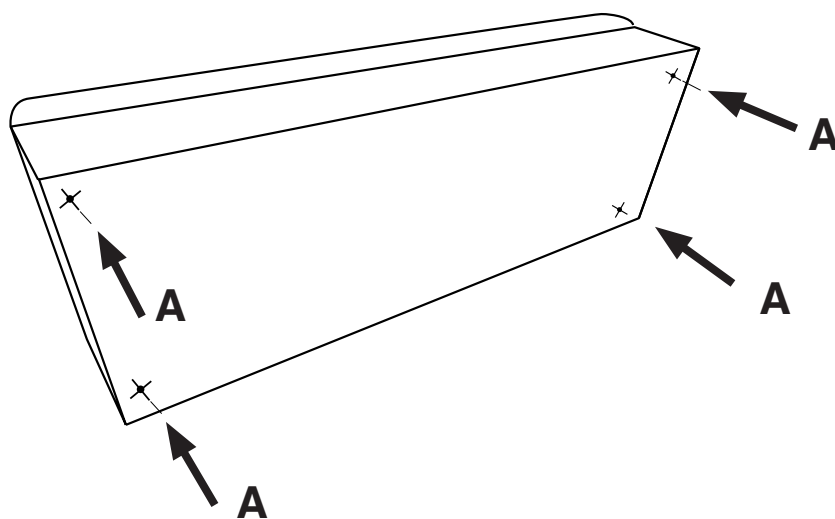
Mamaia

bench

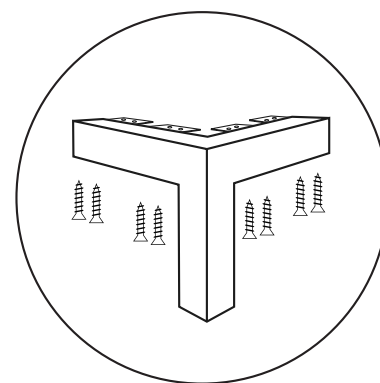
A



* the installation method for a right and left-sided sofa is analogous.

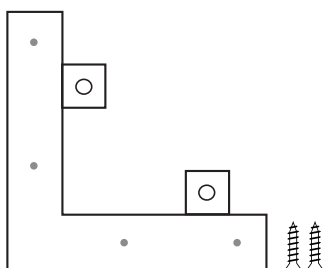


option 1

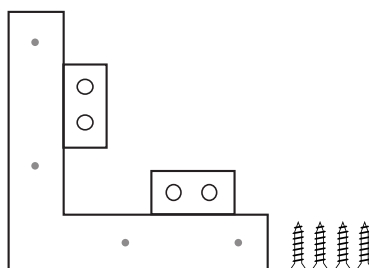


option 2

option 1



option 2



ATTENTION!

Legs should be mounted depending on the batch. Check the legs in your kit and mount them as instructed.